



US00D691059S

(12) **United States Design Patent**
Fechner et al.

(10) **Patent No.:** **US D691,059 S**

(45) **Date of Patent:** **** Oct. 8, 2013**

(54) **MEASURING DEVICE, IN PARTICULAR FOR MEASURING THE LEVEL OF LIQUID GAS WITHIN A CONTAINER**

Primary Examiner — Antoine D Davis

(74) *Attorney, Agent, or Firm* — McNees Wallace & Nurick LLC

(71) Applicant: **Truma Geraetetechnik GmbH & Co. KG**, Putzbrunn (DE)

(57) **CLAIM**

What is claimed is the measuring device, in particular for measuring the level of liquid gas within a container, as shown and described.

(72) Inventors: **Michael Fechner**, Glonn (DE); **Stefan Hillenmayer**, Munich (DE)

DESCRIPTION

(73) Assignee: **Truma Gerätetechnik GmbH & Co. KG**, Putzbrunn (DE)

FIG. 1 shows a perspective view of an embodiment of the measuring device, in particular for measuring the level of liquid gas within a container according to the disclosure.

(**) Term: **14 Years**

FIG. 2 shows a top view of the embodiment of the measuring device, in particular for measuring the level of liquid gas within a container according to the disclosure.

(21) Appl. No.: **29/440,289**

FIG. 3 shows a bottom view of the embodiment of the measuring device, in particular for measuring the level of liquid gas within a container according to the disclosure.

(22) Filed: **Dec. 20, 2012**

(51) **LOC (9) Cl.** **10-04**

(52) **U.S. Cl.**
USPC **D10/81**; D10/78

(58) **Field of Classification Search**
USPC D10/75, 78, 81; 73/19.1, 53.04, 73/431, 67, 1.73, 19.01, 290 V, 293, 861.04; 128/200.14, 200.24, 203.12
See application file for complete search history.

FIG. 4 shows a first side view of the embodiment of the measuring device, in particular for measuring the level of liquid gas within a container according to the disclosure.

FIG. 5 shows a second side view of the embodiment of the measuring device, in particular for measuring the level of liquid gas within a container according to the disclosure.

(56) **References Cited**

U.S. PATENT DOCUMENTS

D309,578 S *	7/1990	Schwan	D10/52
D564,384 S *	3/2008	Kapitulskiy	D10/81
D670,581 S *	11/2012	Matuschek et al.	D10/70

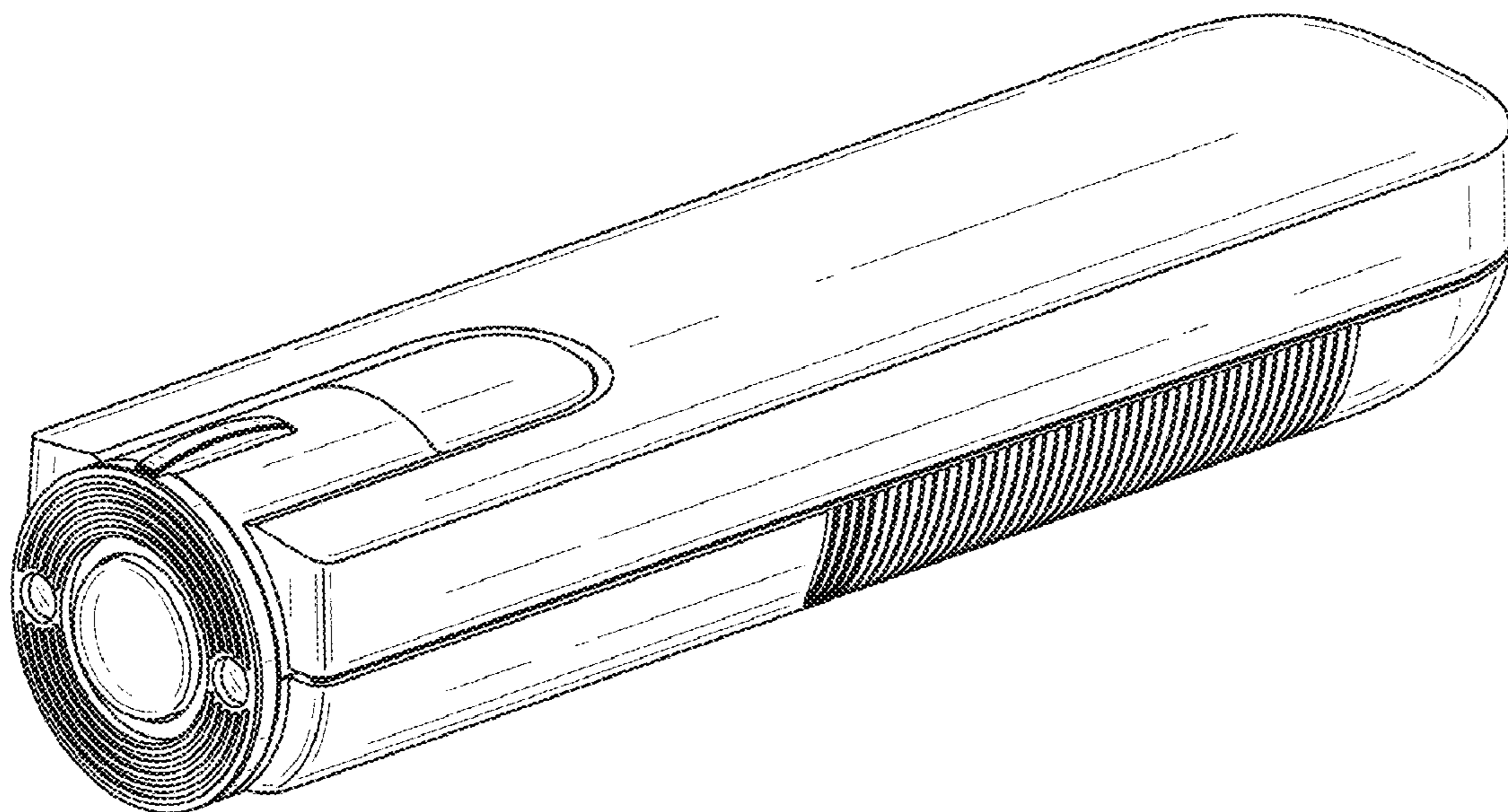
FIG. 6 shows a front view of the embodiment of the measuring device, in particular for measuring the level of liquid gas within a container according to the disclosure; and,

FIG. 7 shows a rear view of the embodiment of the measuring device, in particular for measuring the level of liquid gas within a container according to the disclosure.

The dashed line portion forms no part of the claim.

* cited by examiner

1 Claim, 3 Drawing Sheets



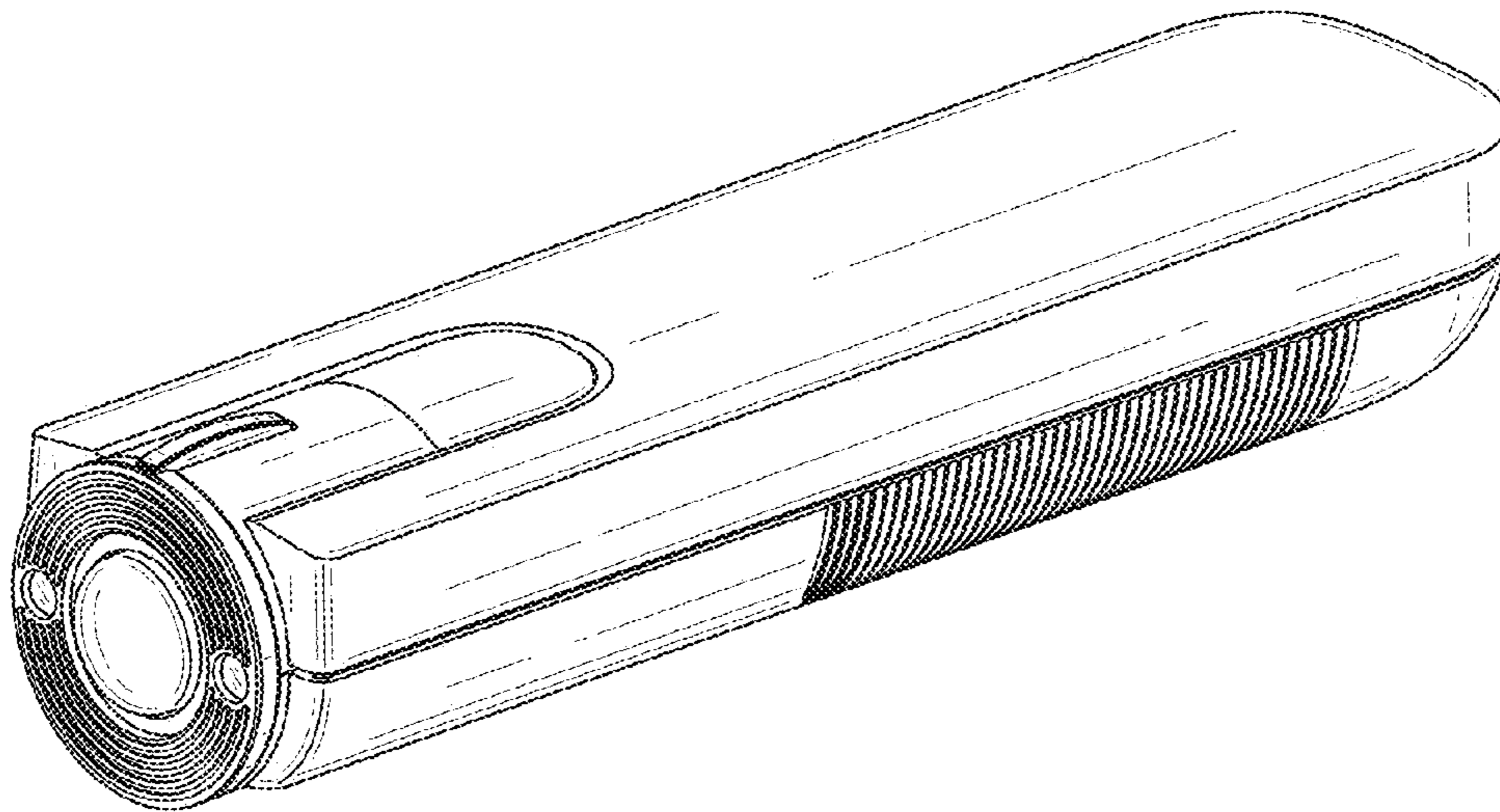


FIG. 1

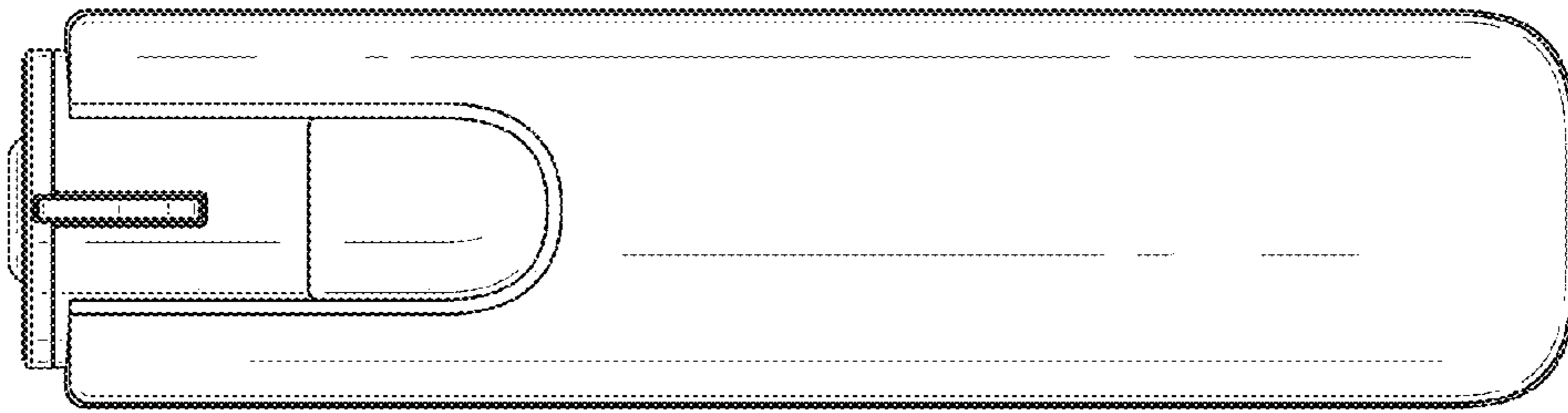


FIG. 2

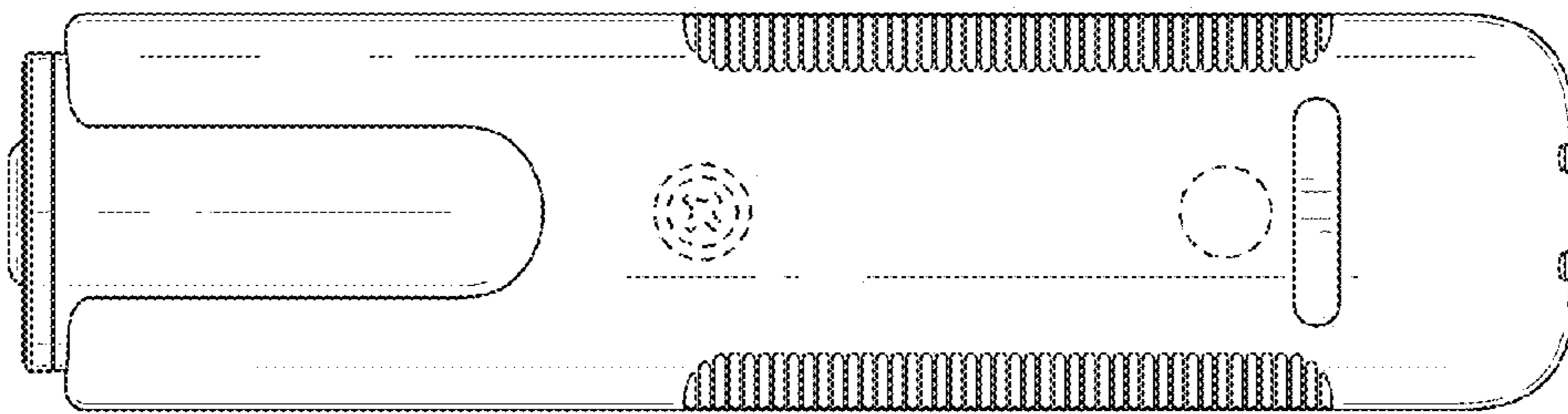


FIG. 3

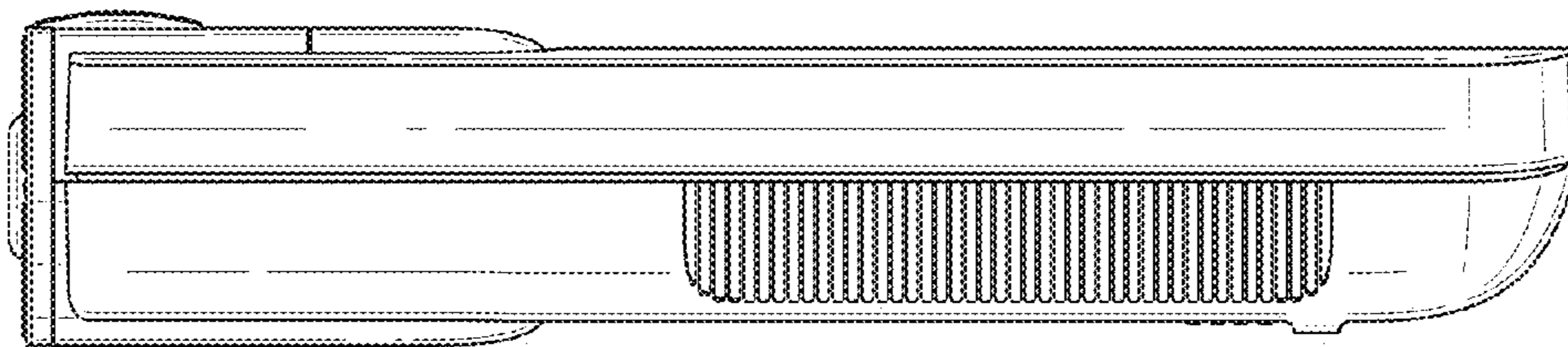


FIG. 4

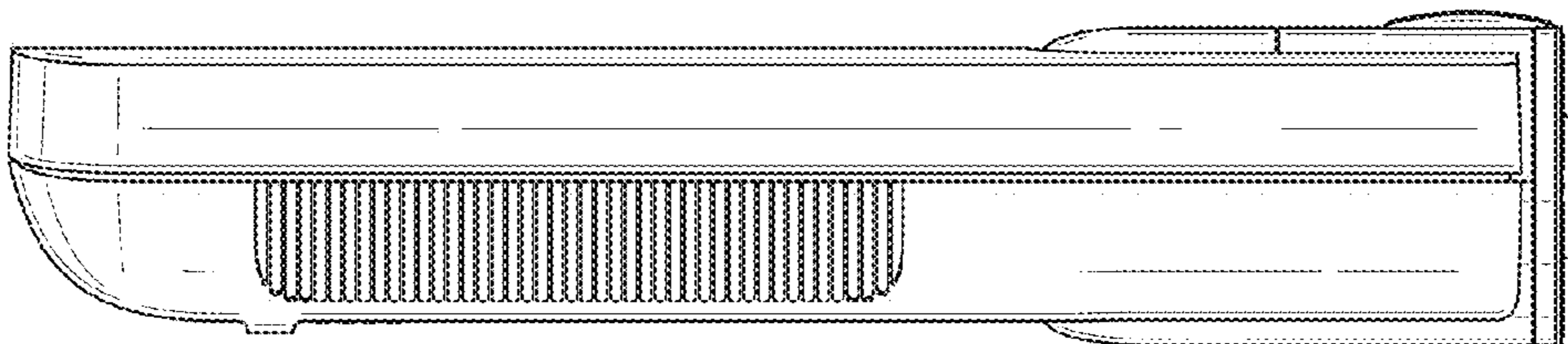


FIG. 5

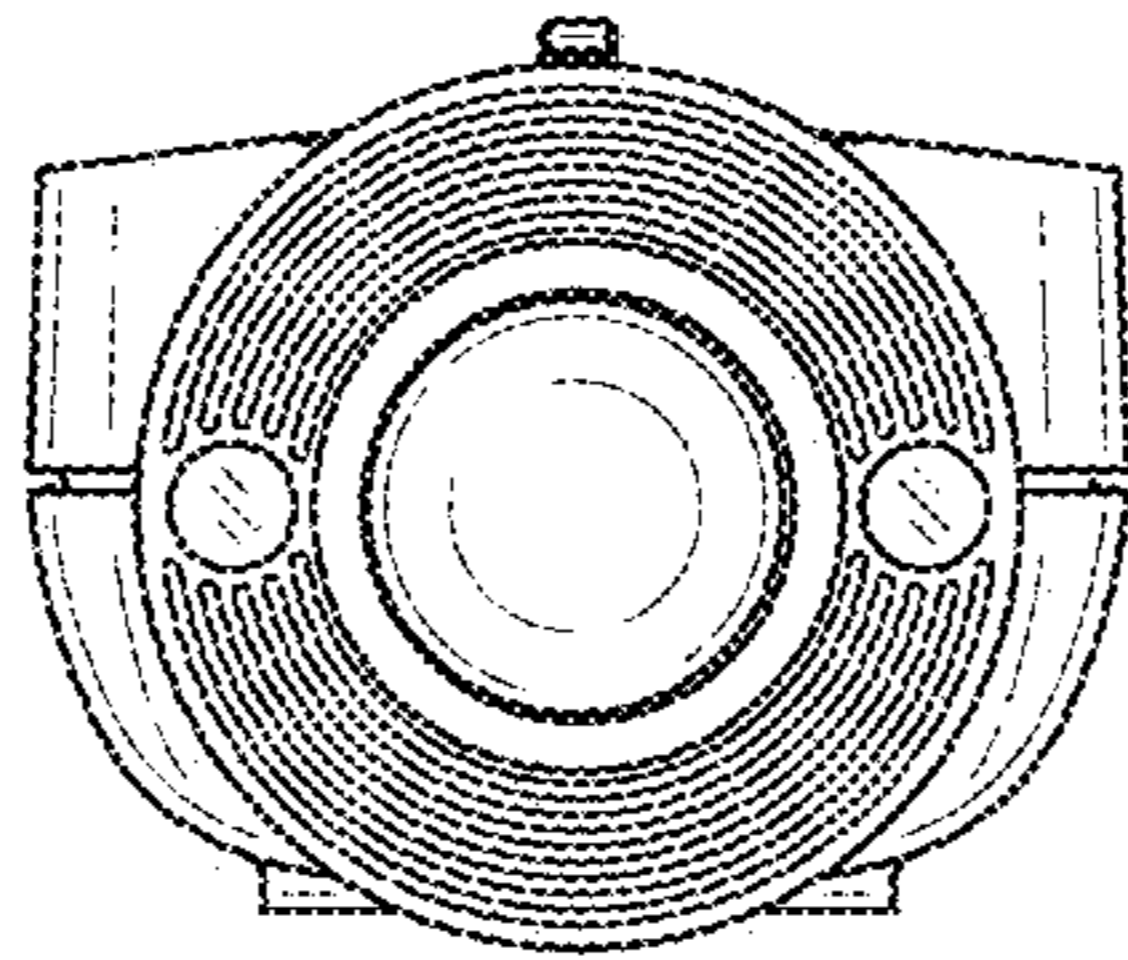


FIG. 6

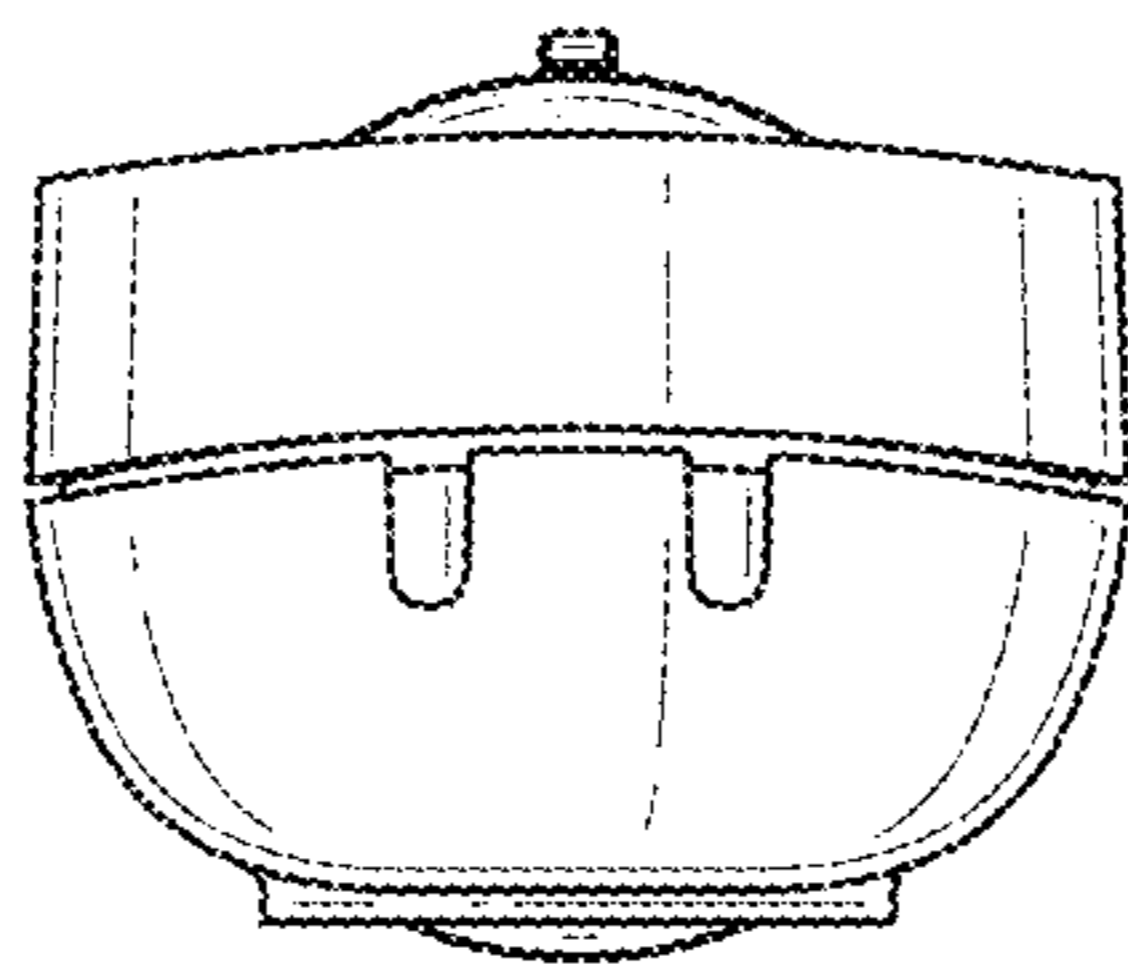


FIG. 7