



US00D691055S

(12) **United States Design Patent**  
**Dalton**

(10) **Patent No.:** **US D691,055 S**  
(45) **Date of Patent:** **\*\* Oct. 8, 2013**

(54) **TIMER**

(75) Inventor: **Peter David Dalton**, Los Angeles, CA  
(US)

(73) Assignee: **Sun Coast Merchandise Corp.**,  
Commerce, CA (US)

(\*\*) Term: **14 Years**

(21) Appl. No.: **29/395,881**

(22) Filed: **Apr. 18, 2012**

**Related U.S. Application Data**

(63) Continuation-in-part of application No. 13/068,846,  
filed on Jan. 9, 2009.

(51) **LOC (9) Cl.** ..... **10-03**

(52) **U.S. Cl.**  
USPC ..... **D10/40**

(58) **Field of Classification Search**  
USPC ..... D10/1-29, 40, 104.1; 368/242, 316,  
368/317, 250-266, 276, 243, 97-121; D3/207,  
D3/208, 209; D14/218; D13/168  
See application file for complete search history.

(56) **References Cited**

**U.S. PATENT DOCUMENTS**

4,711,585 A \* 12/1987 Fresquez et al. .... 368/109  
D320,357 S \* 10/1991 Mizukami ..... D10/30  
D357,919 S \* 5/1995 Tsui ..... D14/218

D375,696 S \* 11/1996 Seki et al. .... D10/104.1  
D409,577 S \* 5/1999 Doppelt et al. .... D13/168  
D416,816 S \* 11/1999 Wolff ..... D10/40  
D455,545 S \* 4/2002 Chan ..... D3/209  
D461,047 S \* 8/2002 Peterson ..... D3/208  
D495,483 S \* 9/2004 Vickers et al. .... D3/208  
D508,862 S \* 8/2005 Behar et al. .... D10/104.1  
7,177,235 B2 \* 2/2007 Rund ..... 368/261  
D577,485 S \* 9/2008 Mohs ..... D3/207  
D624,835 S \* 10/2010 Levine ..... D10/40  
D650,715 S \* 12/2011 Hill et al. .... D10/104.2  
D671,900 S \* 12/2012 Cottrill et al. .... D13/168

\* cited by examiner

*Primary Examiner* — Lucy Lieberman

(74) *Attorney, Agent, or Firm* — Steven E. Shapiro

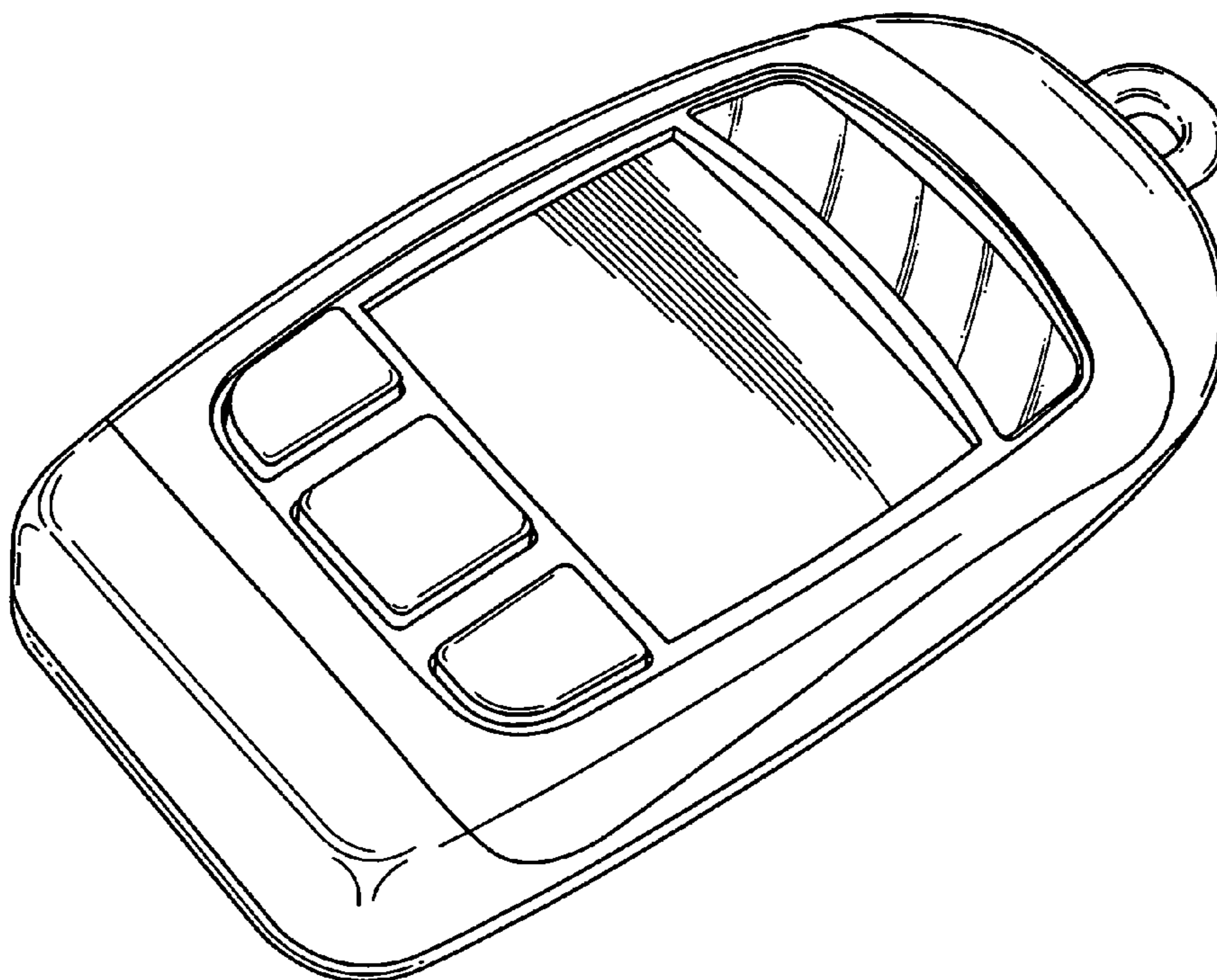
(57) **CLAIM**

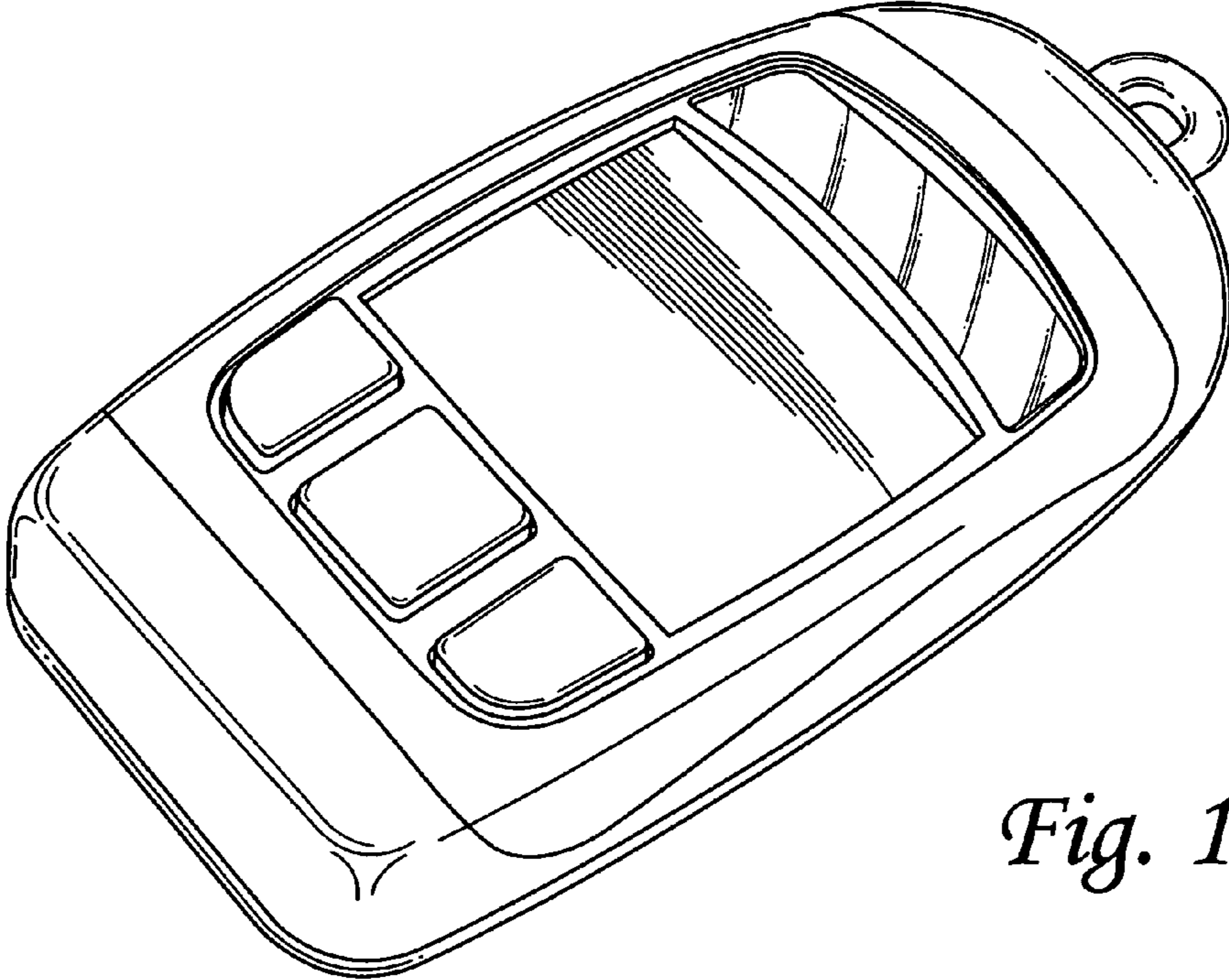
The ornamental design for a timer, as shown and described.

**DESCRIPTION**

FIG. 1 is a perspective view of a timer;  
FIG. 2 is a left side view of a timer;  
FIG. 3 is a right side view of the timer;  
FIG. 4 is a front view of the timer;  
FIG. 5 is a rear view of the timer;  
FIG. 6 is a top view of the timer; and,  
FIG. 7 is a bottom view of the timer.  
The broken line showing is included for the purpose of illustrating and forms no part of the claimed design.

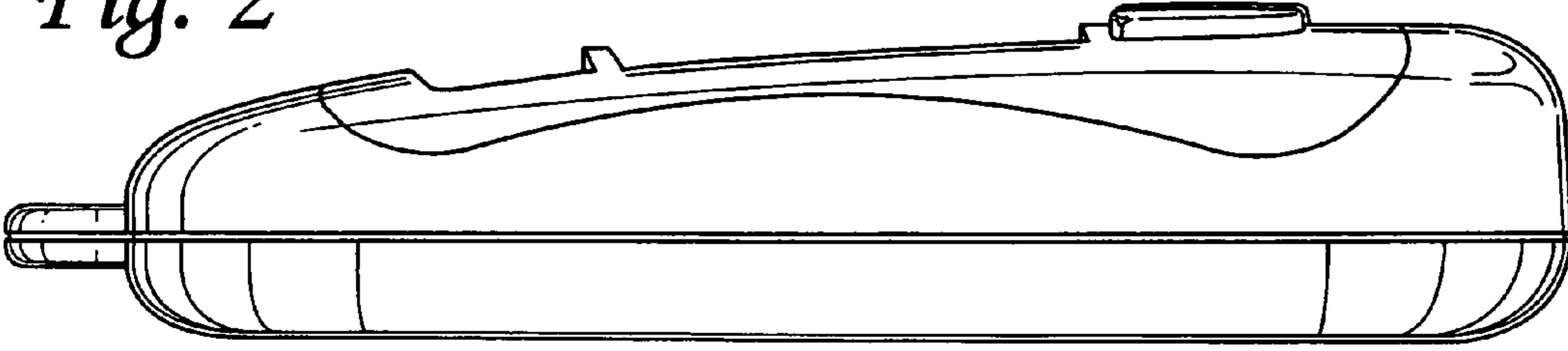
**1 Claim, 2 Drawing Sheets**



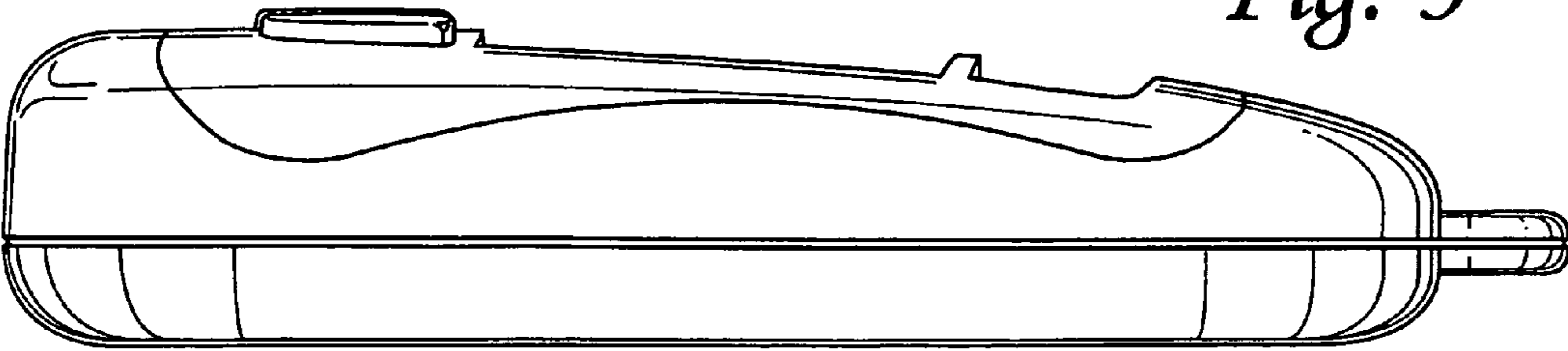


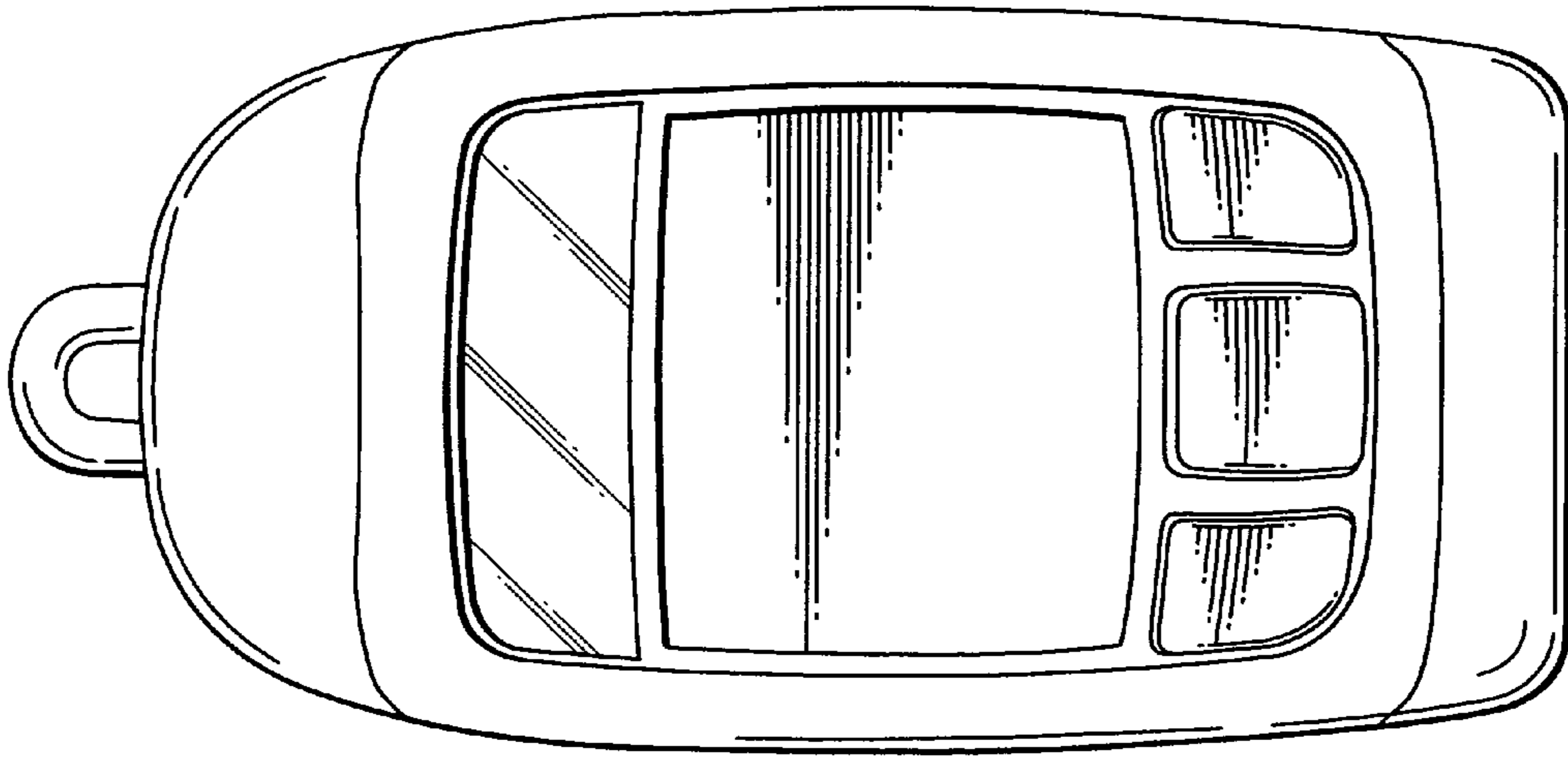
*Fig. 1*

*Fig. 2*

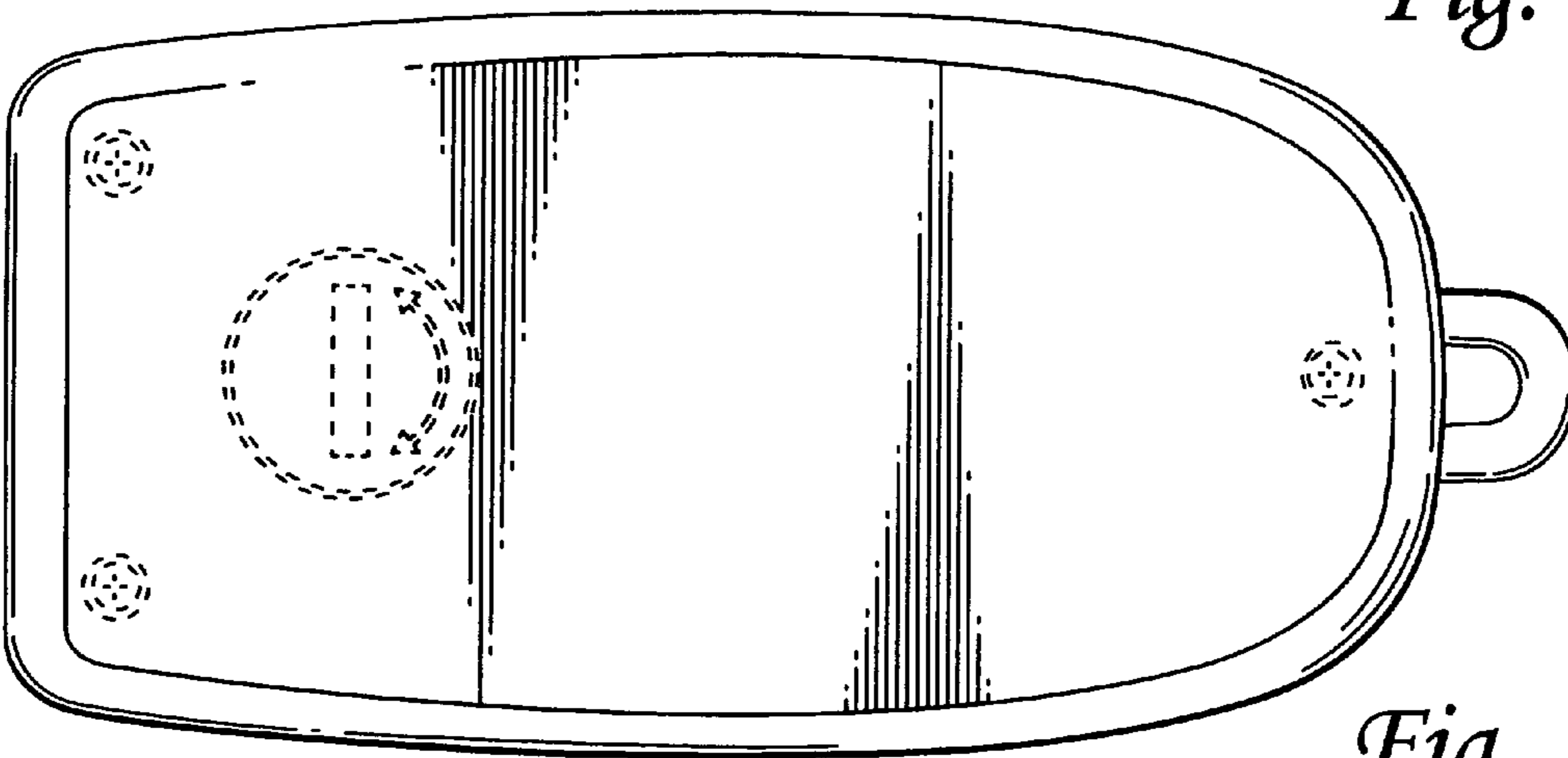


*Fig. 3*

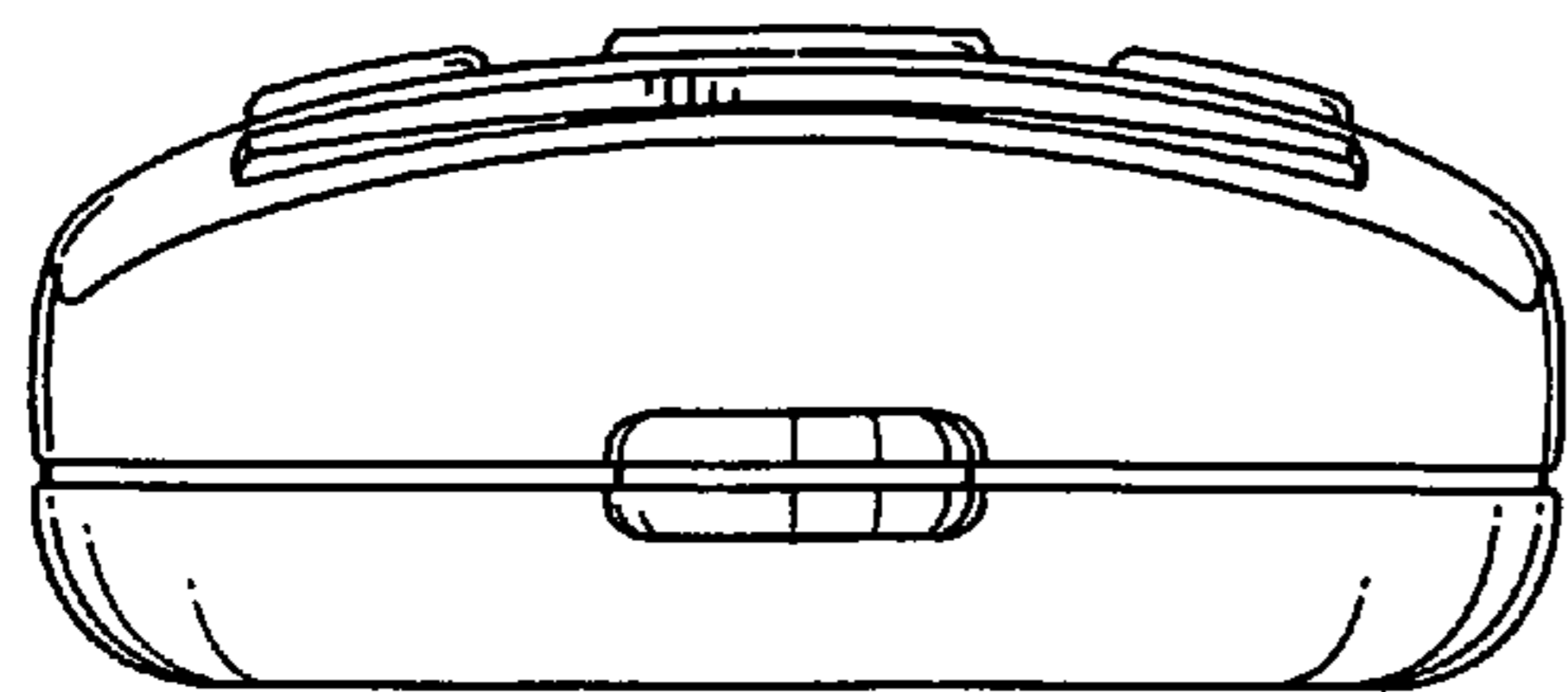




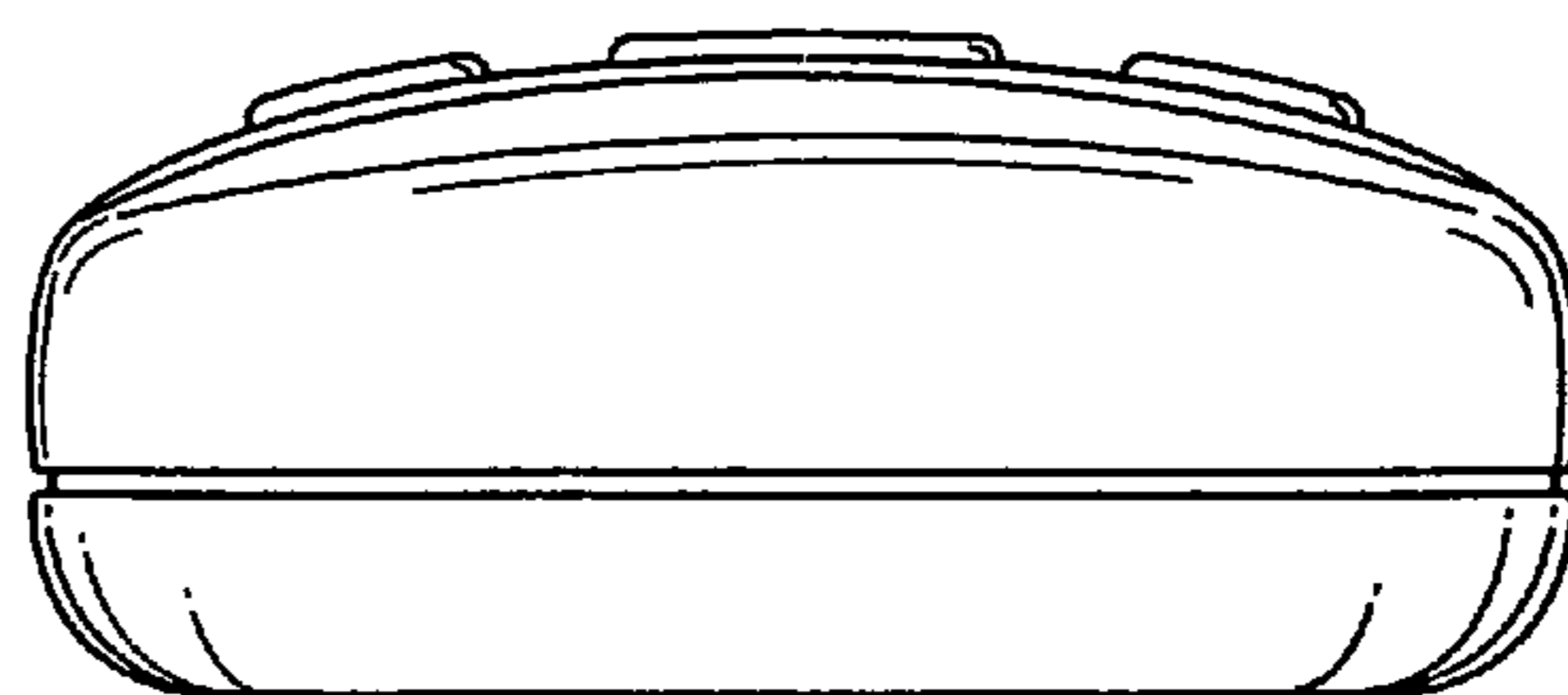
*Fig. 4*



*Fig. 5*



*Fig. 6*



*Fig. 7*