



US00D691052S

(12) **United States Design Patent**
Minghetti

(10) **Patent No.:** **US D691,052 S**
(45) **Date of Patent:** **** Oct. 8, 2013**

(54) **STACKABLE PLASTIC CONTAINER**

(71) Applicant: **Graham Packaging Company Italia S.r.l.**, Catel Guelfo/Province of Bologna (IT)

(72) Inventor: **Moreno Minghetti**, Monaco (MC)

(73) Assignee: **Graham Packaging Company Italia S.r.l.**, Castel Guelfo/Province of Bologna (IT)

(**) Term: **14 Years**

(21) Appl. No.: **29/433,055**

(22) Filed: **Sep. 25, 2012**

(30) **Foreign Application Priority Data**

Mar. 26, 2012 (IT) BO201200013

(51) **LOC (9) Cl.** **09-01**

(52) **U.S. Cl.**
USPC **D9/528**

(58) **Field of Classification Search**
USPC D9/516, 520, 523, 524, 528, 530,
D9/531, 559, 560, 563, 569, 572, 575, 737,
D9/738, 740-742; 215/381-385; 220/660,
220/669, 675; D23/211.1, 211.2
See application file for complete search history.

(56) **References Cited**

U.S. PATENT DOCUMENTS

D252,257 S * 7/1979 Dobbs et al. D9/528
4,805,793 A * 2/1989 Brandt et al. 215/10
5,114,028 A * 5/1992 Ring 215/42
D357,417 S * 4/1995 Van Keimpema et al. D9/782

D378,494 S * 3/1997 Miller D9/528
D434,326 S * 11/2000 Smorch D9/520
D454,789 S * 3/2002 Harvey et al. D9/527
D488,067 S * 4/2004 Dorn et al. D9/528
D505,076 S * 5/2005 Logan D9/528
D550,089 S * 9/2007 Omdoll et al. D9/528
D631,358 S * 1/2011 Voelker D9/528
D668,951 S * 10/2012 Voelker D9/430
D670,170 S * 11/2012 Voelker D9/528

* cited by examiner

Primary Examiner — Keli L Hill

(74) *Attorney, Agent, or Firm* — Stradley Ronon Stevens & Young, LLP

(57) **CLAIM**

The ornamental design for a stackable plastic container, substantially as shown and described.

DESCRIPTION

FIG. 1 shows a side elevation view of the container with the top inlet opening on the right;

FIG. 2 shows a side elevation view of the container taken from the side opposite the side shown in FIG. 1, with the top inlet opening on the left;

FIG. 3 shows a top view of the container;

FIG. 4 shows a side elevation view of the container taken from a side adjacent the side shown in FIG. 1;

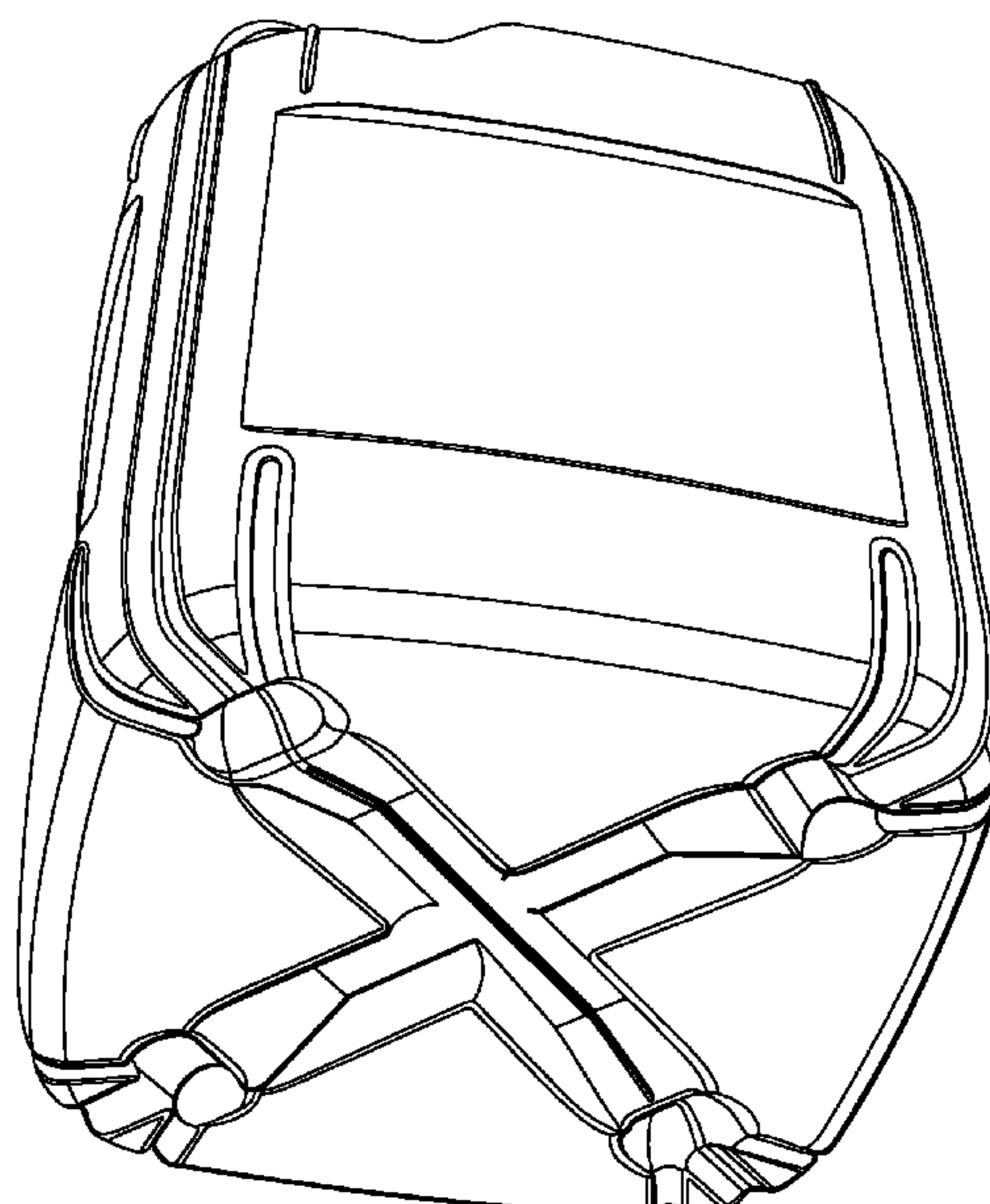
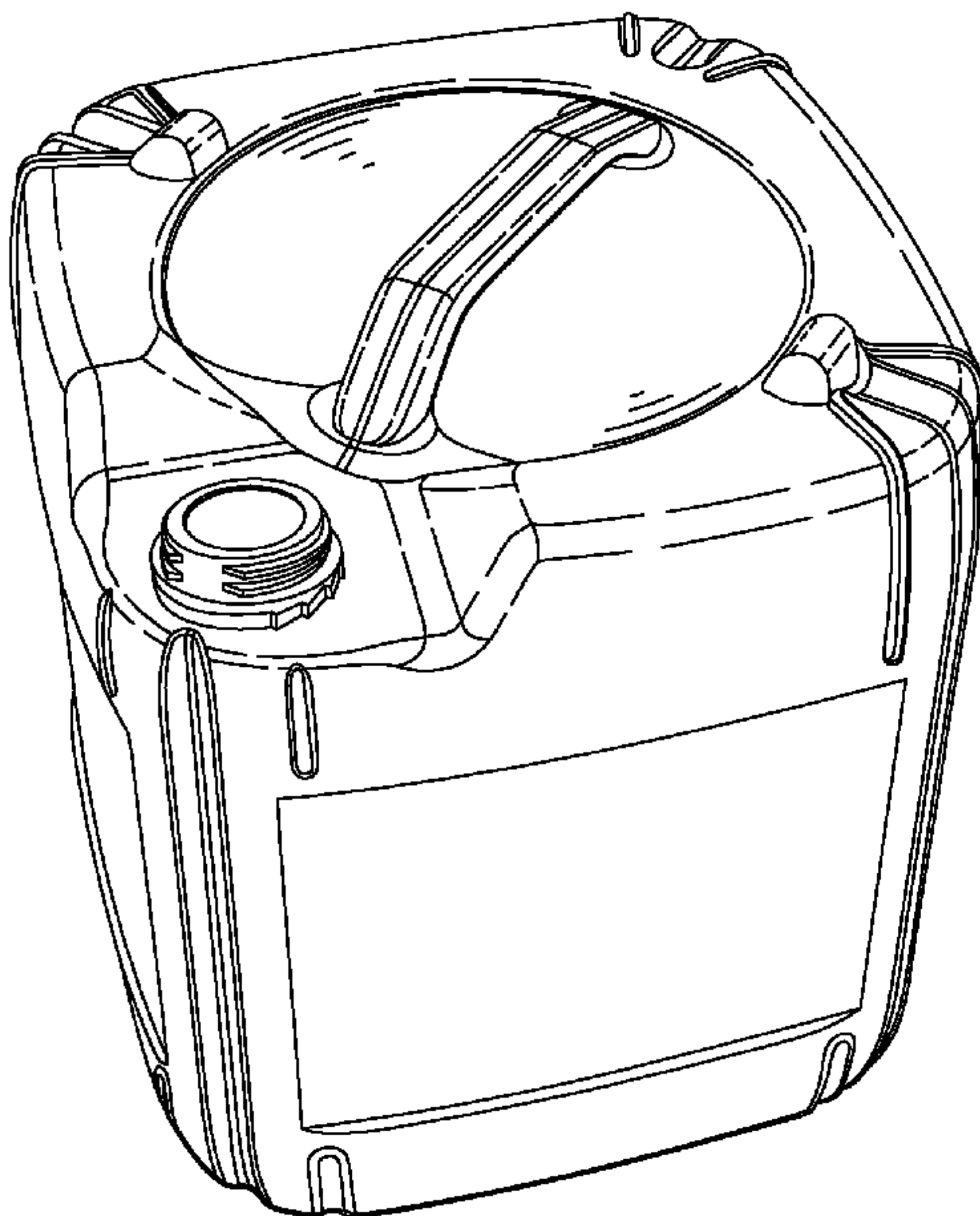
FIG. 5 shows a side elevation view of the container taken from a side adjacent to the side shown in FIG. 4 and opposite to the side shown in FIG. 1;

FIG. 6 shows a bottom view of the container;

FIG. 7 shows a perspective view of the top of the container; and,

FIG. 8 shows a perspective view of the bottom of the container.

1 Claim, 8 Drawing Sheets



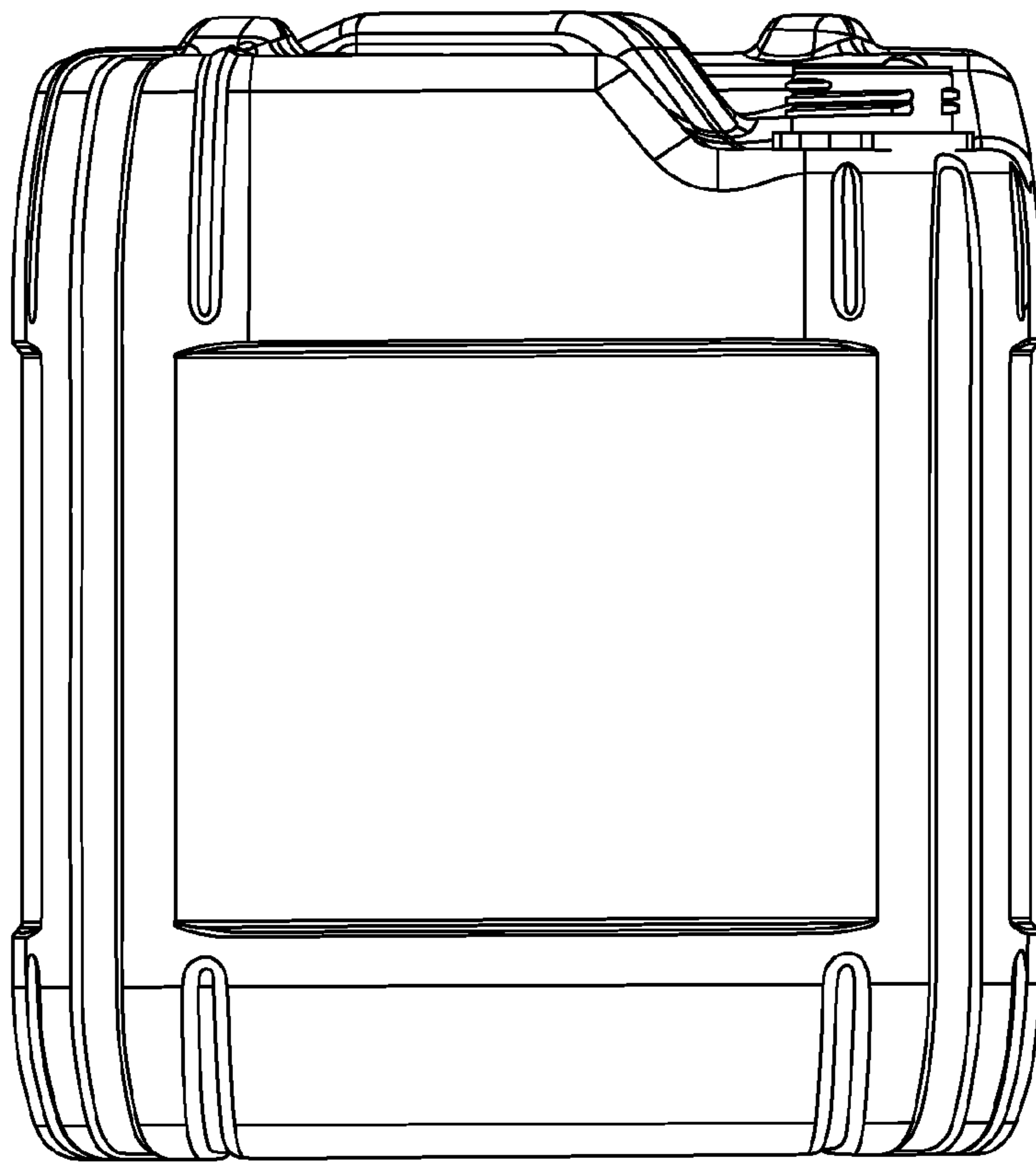


FIG. 1

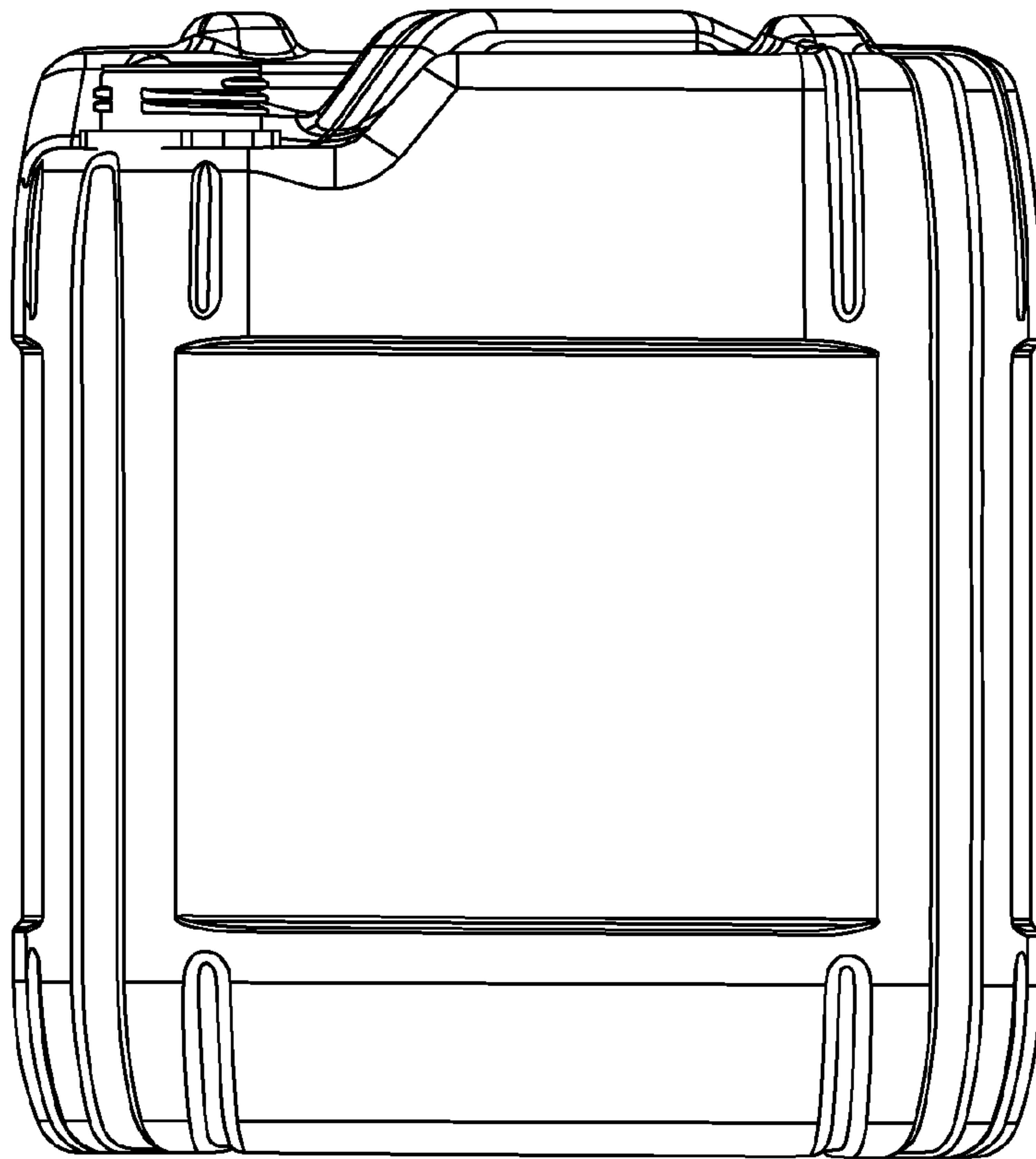


FIG. 2

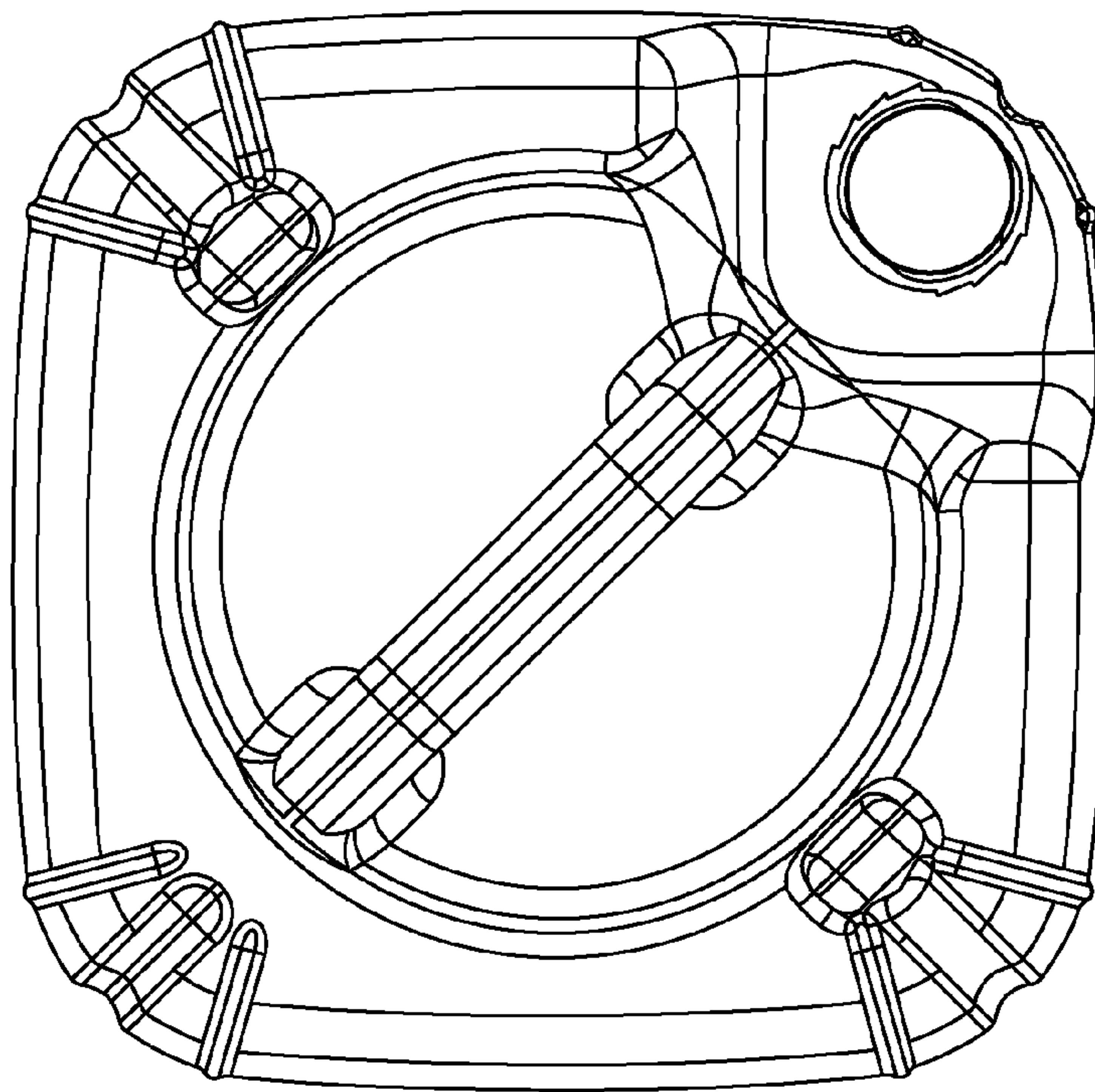


FIG. 3

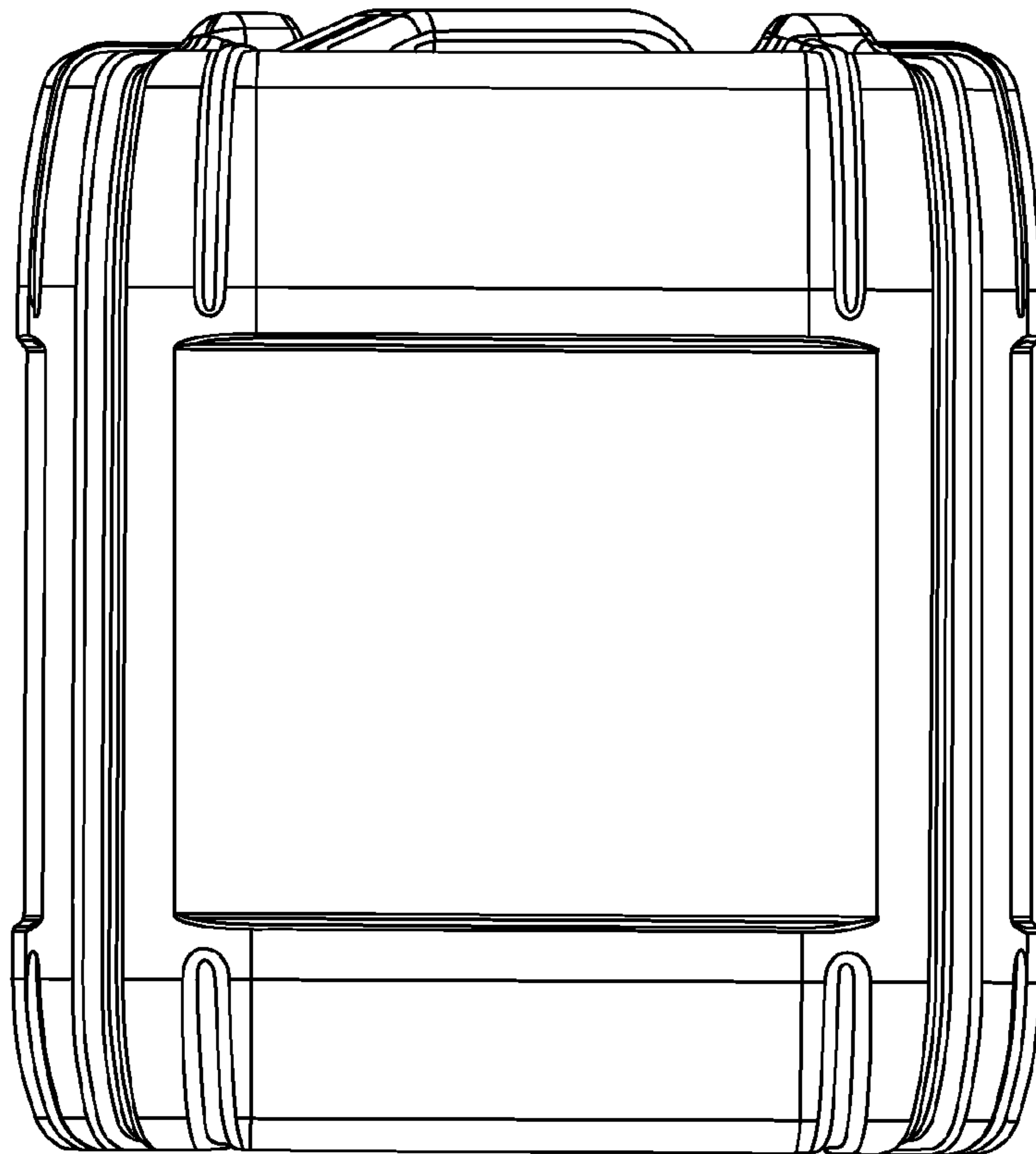


FIG. 4

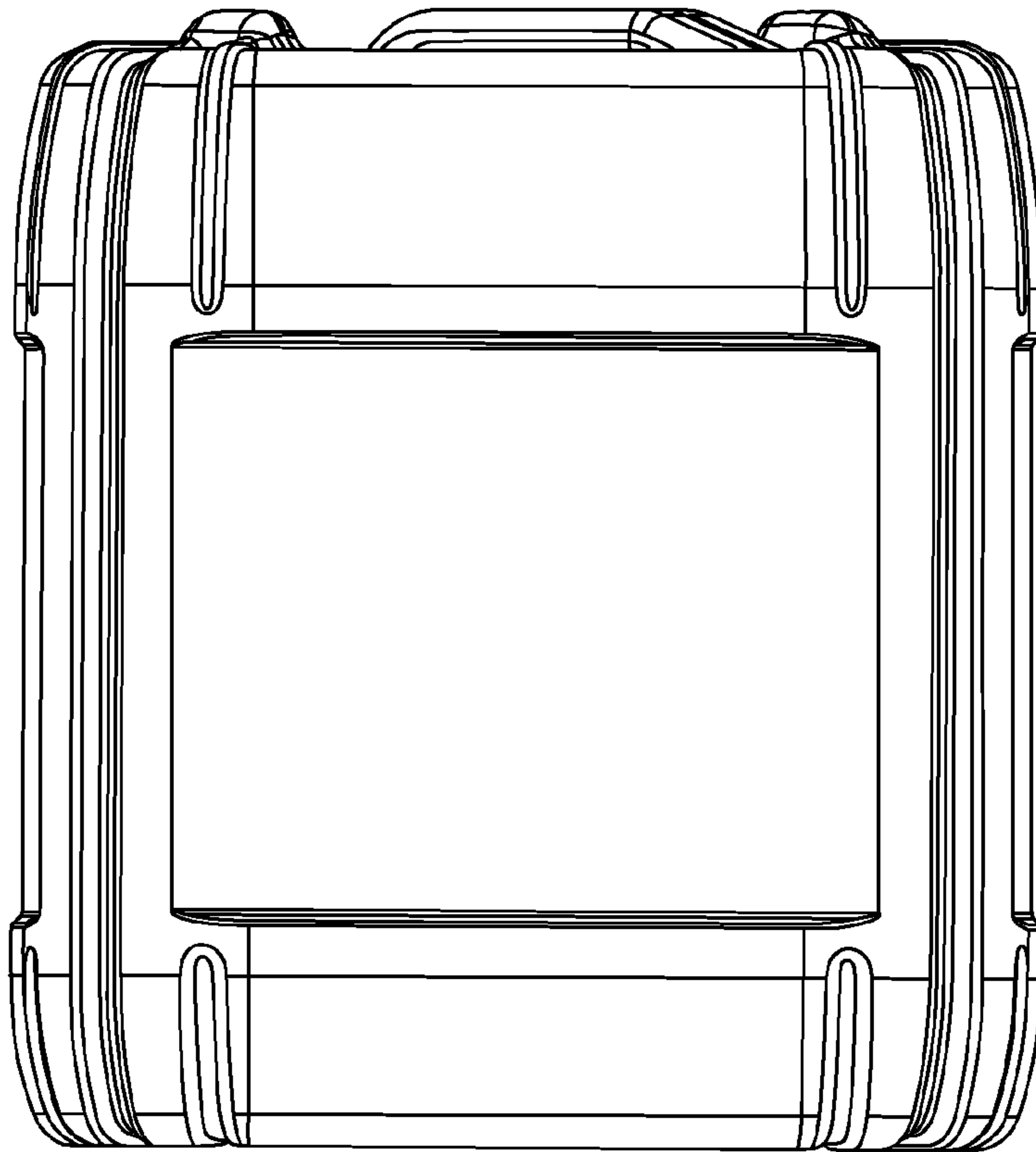


FIG. 5

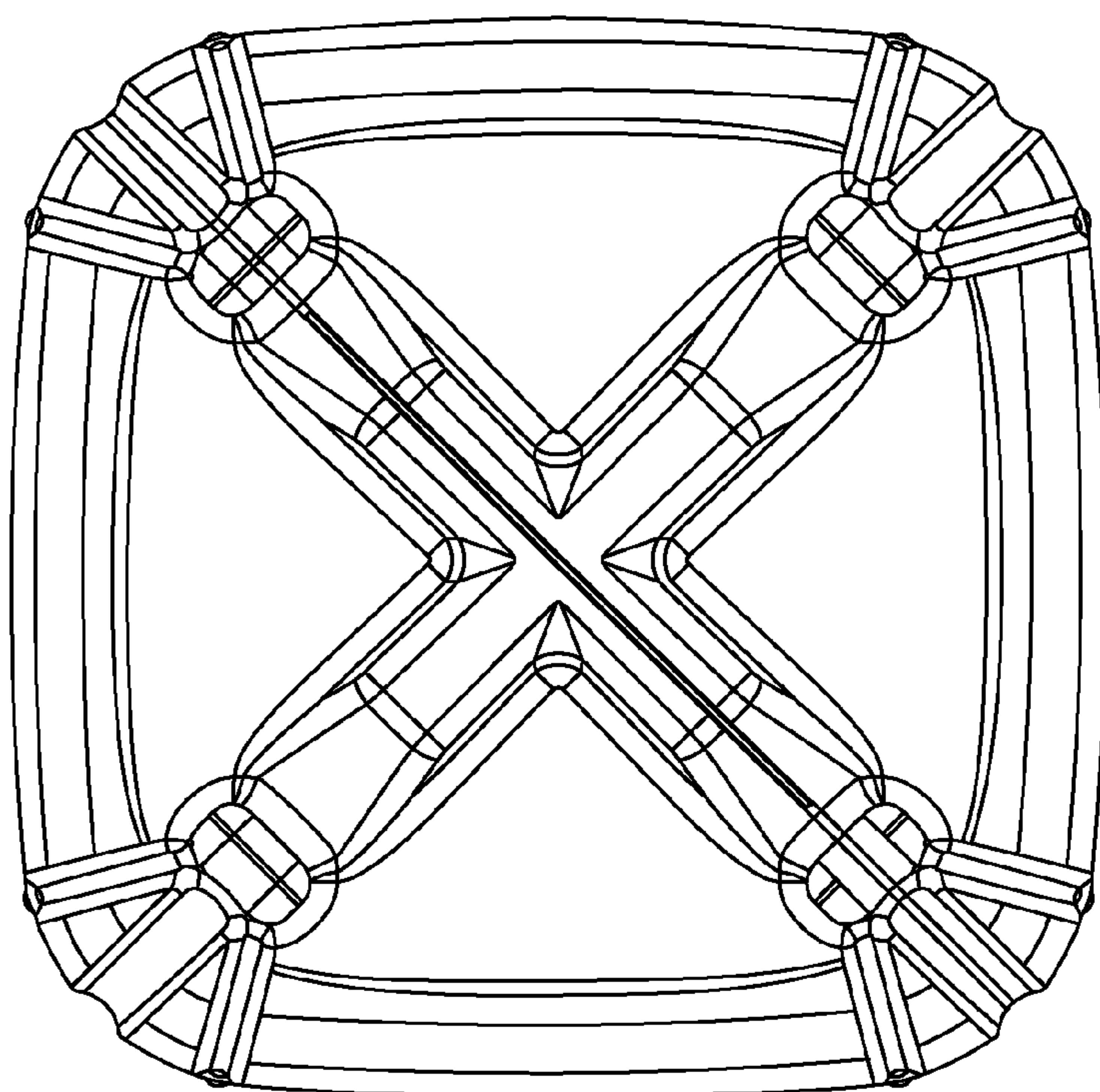


FIG. 6

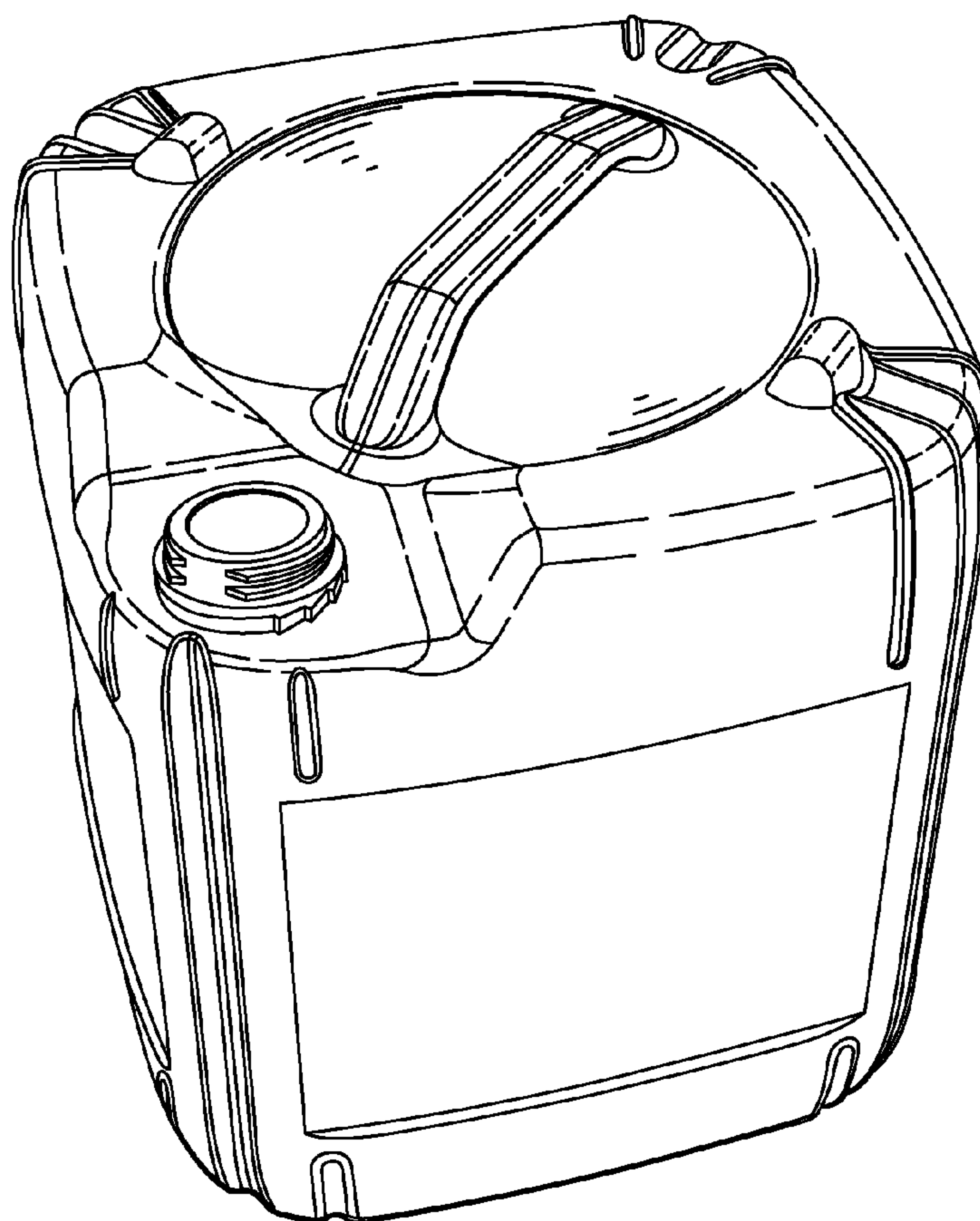


FIG. 7

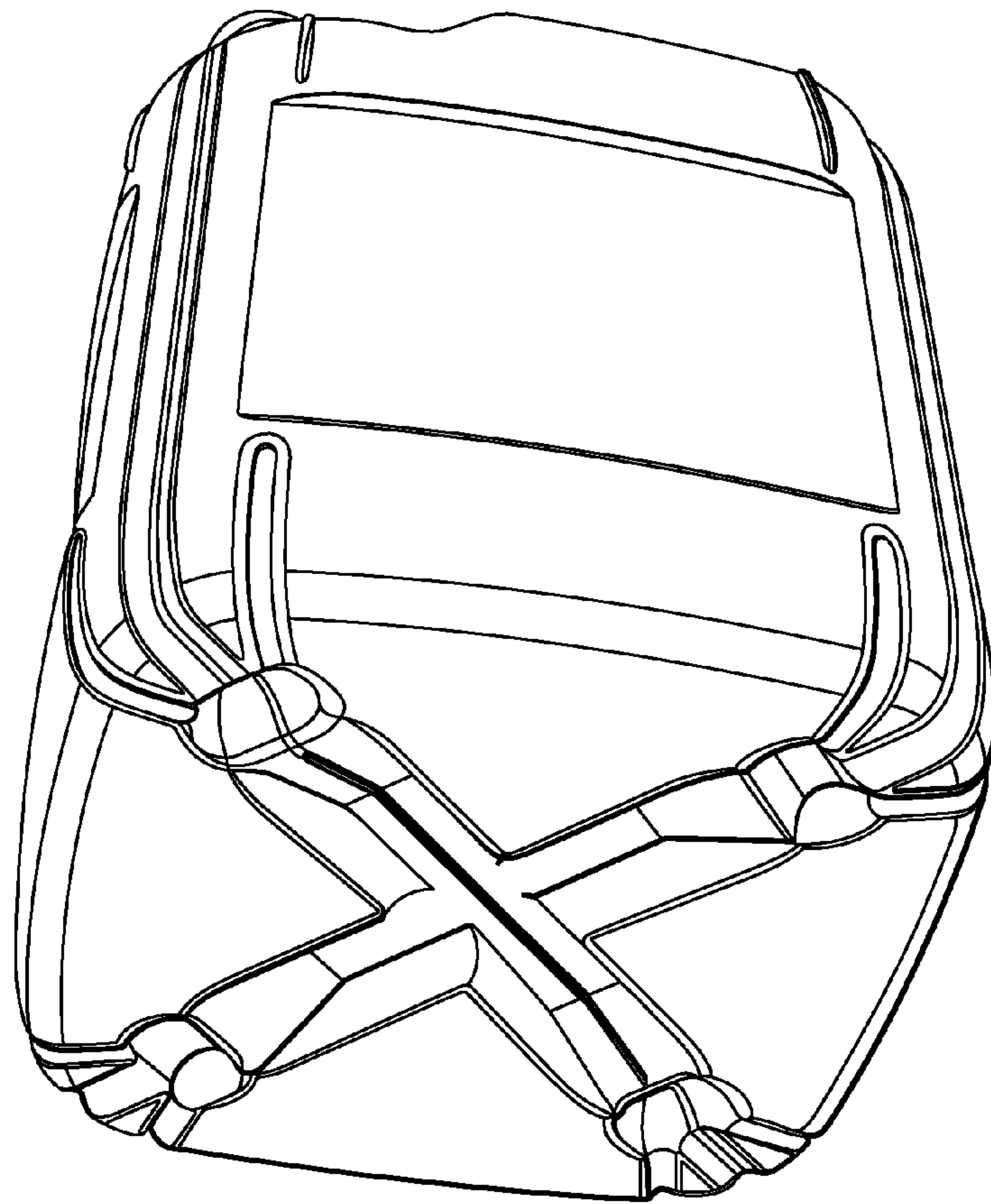


FIG. 8