



US00D691047S

(12) **United States Design Patent**  
**Titherington**

(10) **Patent No.:** **US D691,047 S**  
(45) **Date of Patent:** **\*\* Oct. 8, 2013**

- (54) **HEFTY LUG FOR A BOTTLE CAP**
- (71) Applicant: **Philip D. Titherington**, Peru, NY (US)
- (72) Inventor: **Philip D. Titherington**, Peru, NY (US)
- (\*\*) Term: **14 Years**
- (21) Appl. No.: **29/438,487**
- (22) Filed: **Nov. 30, 2012**

**Related U.S. Application Data**

- (63) Continuation of application No. 29/426,775, filed on Jul. 10, 2012, now Pat. No. Des. 677,161, which is a continuation of application No. 12/689,882, filed on Jan. 19, 2010, now abandoned.
- (51) **LOC (9) Cl.** ..... **09-07**
- (52) **U.S. Cl.**  
USPC ..... **D9/453; D9/434**
- (58) **Field of Classification Search**  
USPC ..... D9/529, 452, 445, 454, 444, 443, D9/442, 436, 435, 500-504, 453, 451, 439, D9/432, 420, 448; D7/392.1, 391, 628; 222/525, 498, 481; 215/216, 400, 355-364, 215/247, 235; 220/376, 293, 288, 281, 200, 220/253, 890, 713, 786, 269-270, 254.1, 220/228; 206/222, 221, 457, 458, 527, 182, 206/321.7-321.9, 402.11-402.15, 423; 132/304; D24/115; D12/197; D11/157; 229/125.09, 125.04, 117.3; 239/338  
See application file for complete search history.

(56) **References Cited**

**U.S. PATENT DOCUMENTS**

- D114,053 S \* 4/1939 Barnes ..... D9/453
- D138,952 S \* 9/1944 Sapery ..... D9/453
- D269,425 S \* 6/1983 Whitaker, Jr. .... D12/197
- D333,065 S \* 2/1993 Murphy ..... D7/391

- D354,914 S \* 1/1995 Newman ..... D9/503
- 5,381,912 A \* 1/1995 Walker et al. .... 215/220
- D359,910 S \* 7/1995 Hirsch ..... D9/548
- 5,449,077 A \* 9/1995 Seidler ..... 215/216
- D408,292 S \* 4/1999 Gundlach et al. .... D9/555
- 6,253,942 B1 \* 7/2001 Elias ..... 215/305
- D457,432 S \* 5/2002 Peabody ..... D9/453
- D472,947 S \* 4/2003 Wu ..... D21/694
- D477,224 S \* 7/2003 Hussain ..... D9/453
- D491,063 S \* 6/2004 Hicks et al. .... D9/443
- D494,468 S \* 8/2004 Vovan ..... D9/435
- D519,837 S \* 5/2006 Sturk et al. .... D9/453
- D542,133 S \* 5/2007 Haber et al. .... D9/453
- D567,086 S \* 4/2008 Buchman et al. .... D9/454
- D581,278 S \* 11/2008 Shibata et al. .... D9/529
- D605,038 S \* 12/2009 Olive-Bartres et al. .... D9/453
- D607,325 S \* 1/2010 Rogers et al. .... D9/453
- D609,094 S \* 2/2010 Kim ..... D9/503
- D613,161 S \* 4/2010 Greenfield ..... D9/443
- D618,099 S \* 6/2010 Biesecker et al. .... D9/452
- D620,356 S \* 7/2010 Greenfield ..... D9/443
- D621,706 S \* 8/2010 Breckan ..... D9/443
- D625,346 S \* 10/2010 Drenth et al. .... D15/138
- D626,417 S \* 11/2010 Kim ..... D9/503
- D627,638 S \* 11/2010 Bodet et al. .... D9/448

(Continued)

*Primary Examiner* — Susan Bennett Hattan

(74) *Attorney, Agent, or Firm* — David L. Nocilly; Bond Schoeneck & King

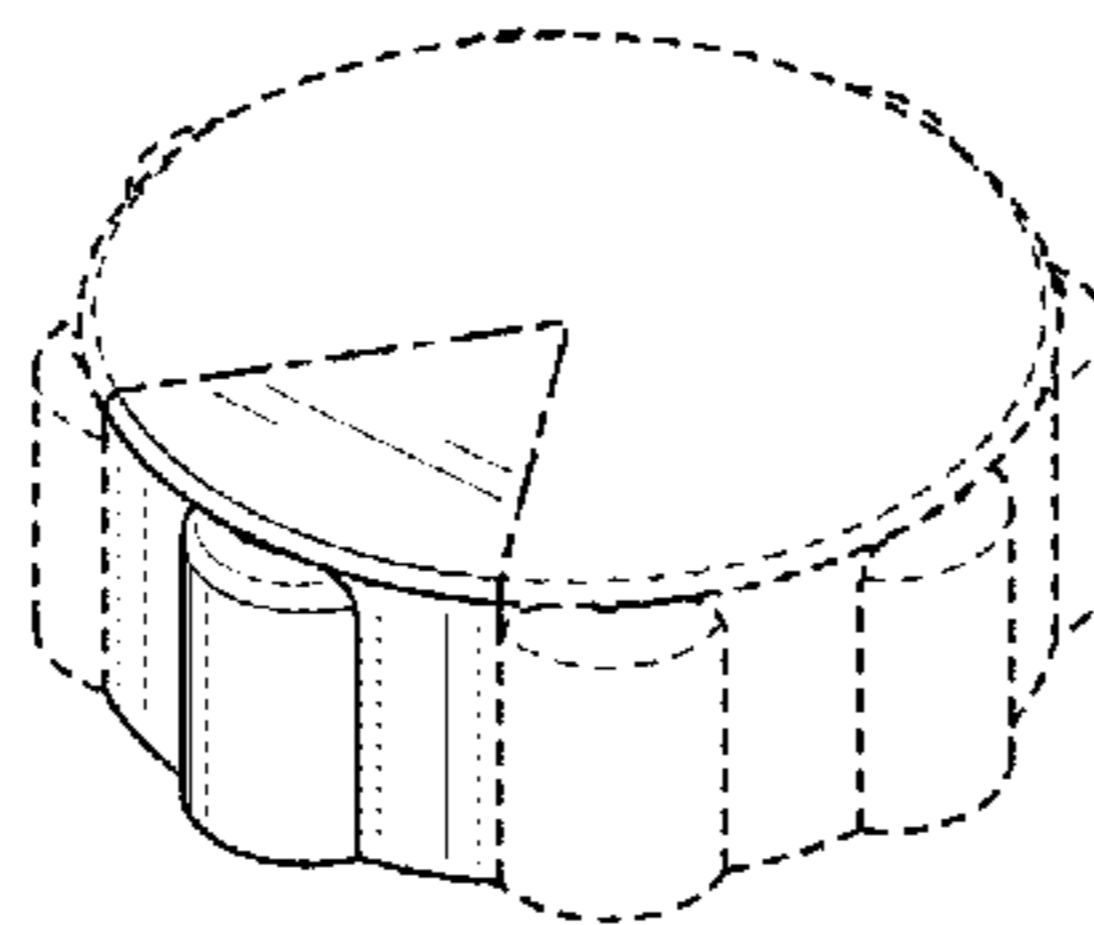
(57) **CLAIM**

The ornamental design for a hefty lug for a bottle cap, as shown and described.

**DESCRIPTION**

FIG. 1 is a perspective view of a new and ornamental design for a bottle cap with portions shown in phantom for environment only and forming no part of the claimed invention; FIG. 2 is a side elevation thereof; FIG. 3 is a top plan thereof; and, FIG. 4 is a bottom plan thereof.

**1 Claim, 1 Drawing Sheet**



# US D691,047 S

Page 2

---

(56)

## References Cited

### U.S. PATENT DOCUMENTS

D633,808 S \* 3/2011 Titherington ..... D9/667  
D636,264 S \* 4/2011 Wassum et al. .... D9/453

D638,707 S \* 5/2011 Stoffers et al. .... D9/453  
D645,349 S \* 9/2011 Tilton ..... D9/453  
D662,869 S \* 7/2012 Ballard ..... D12/213

\* cited by examiner

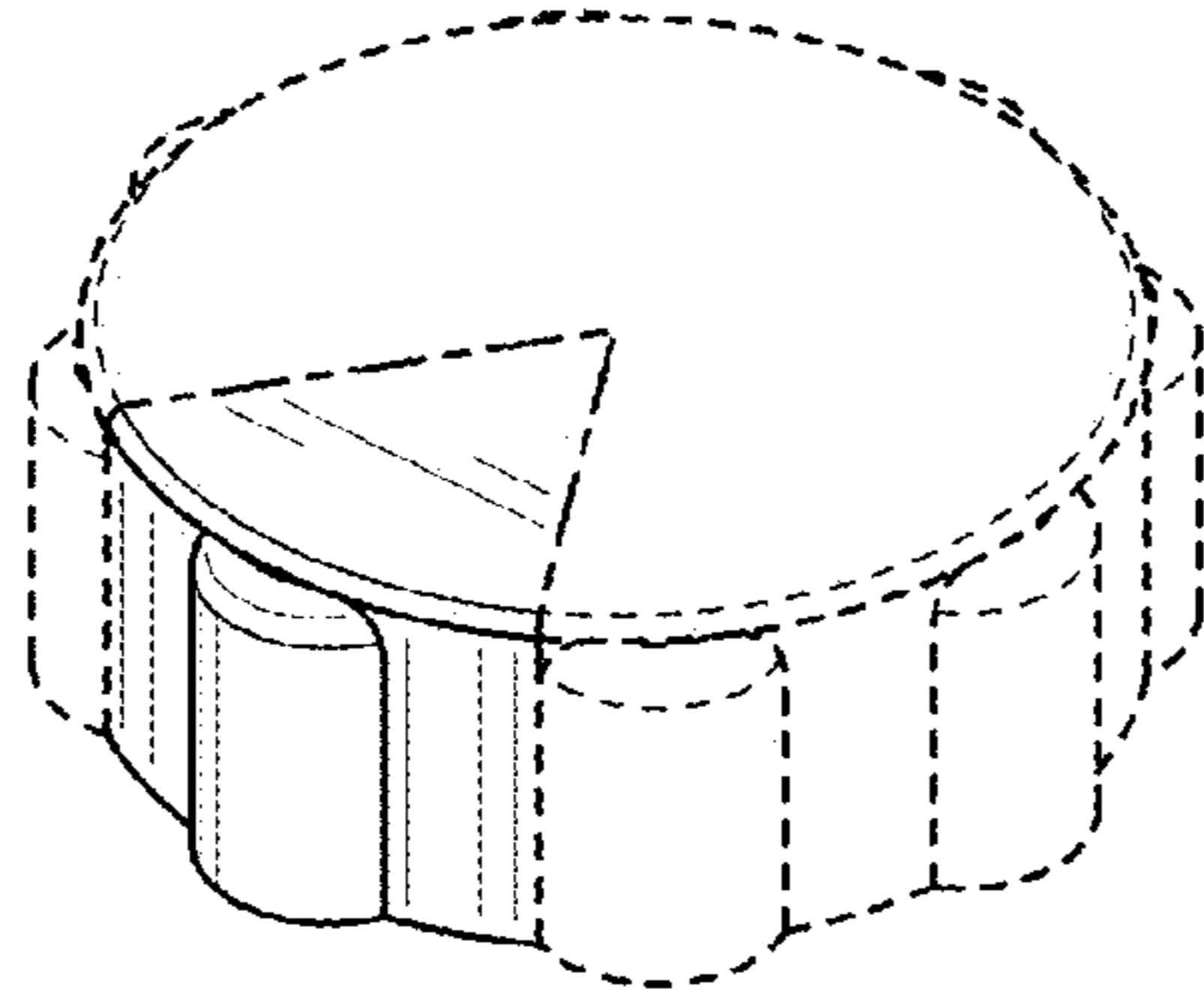


FIG. 1

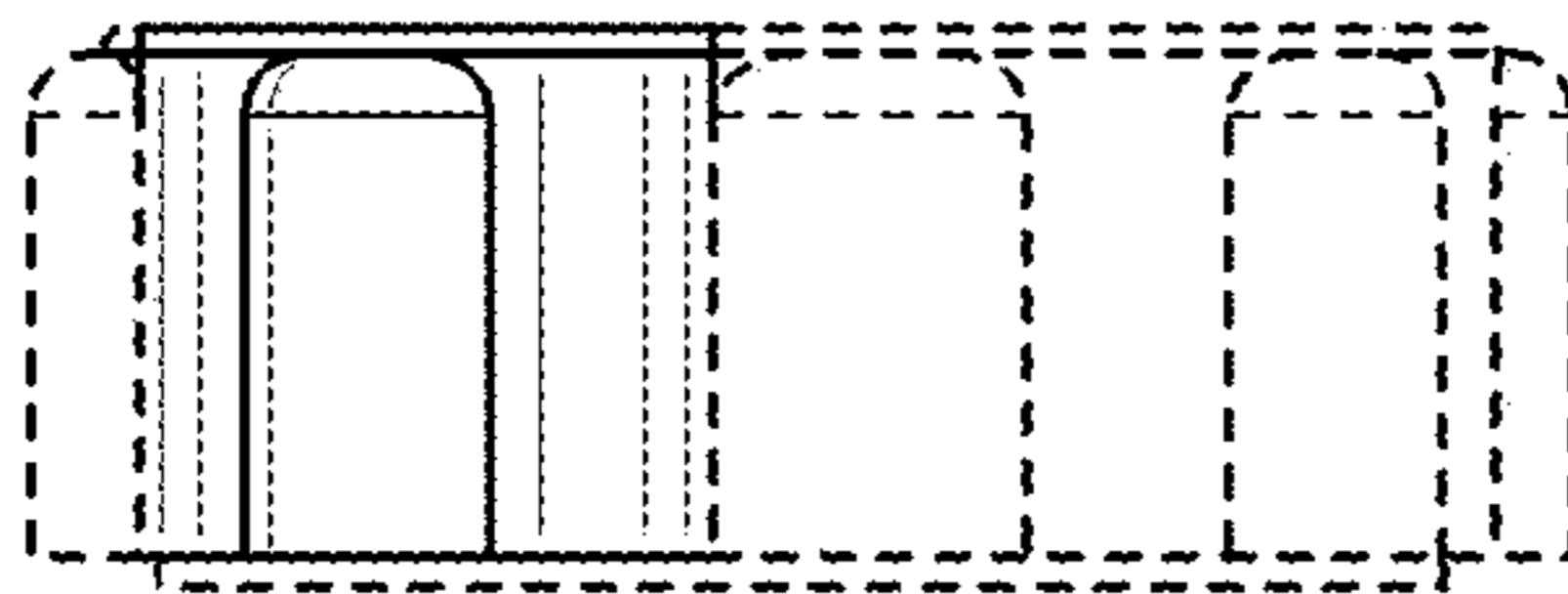


FIG. 2

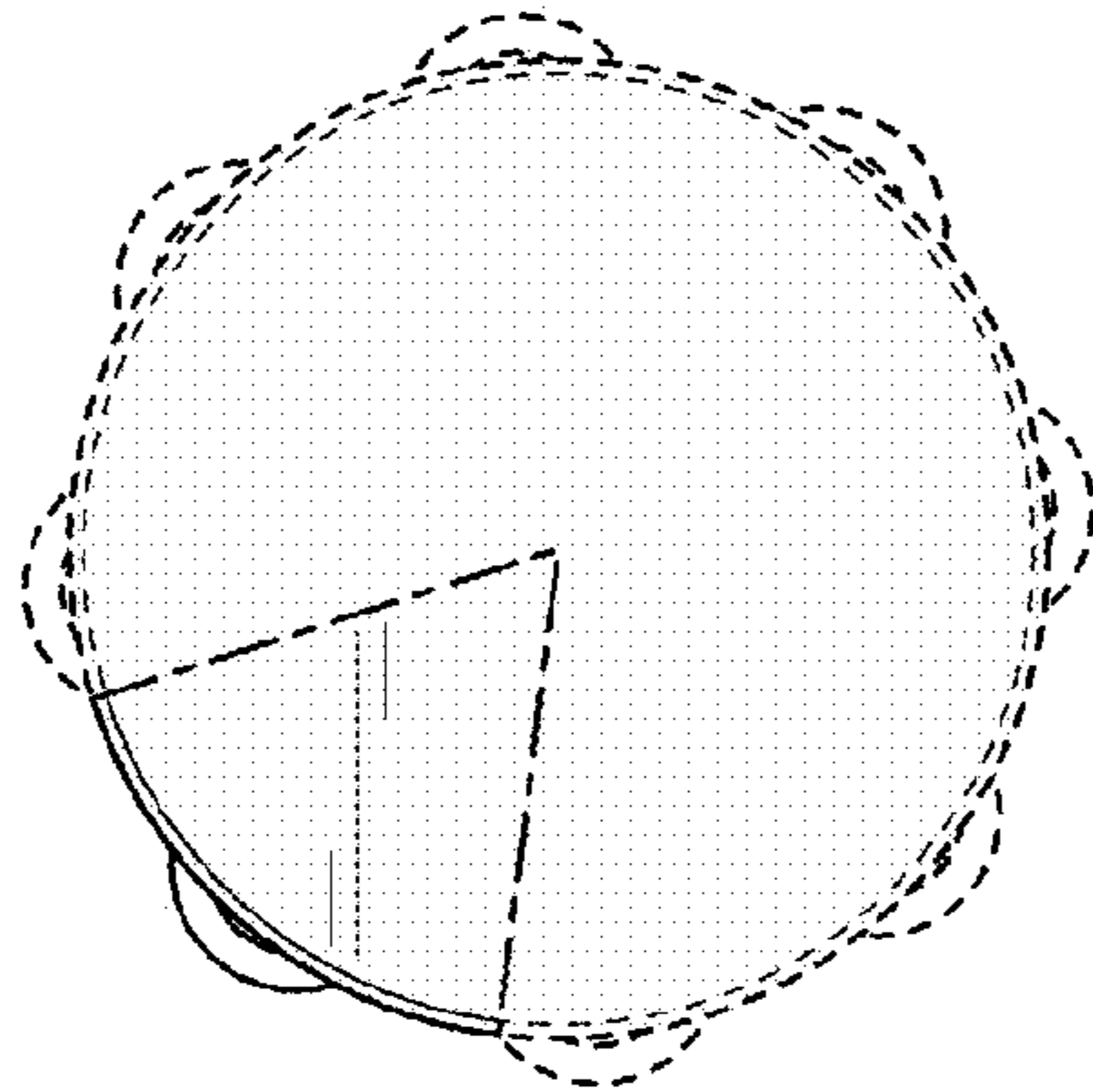


FIG. 3

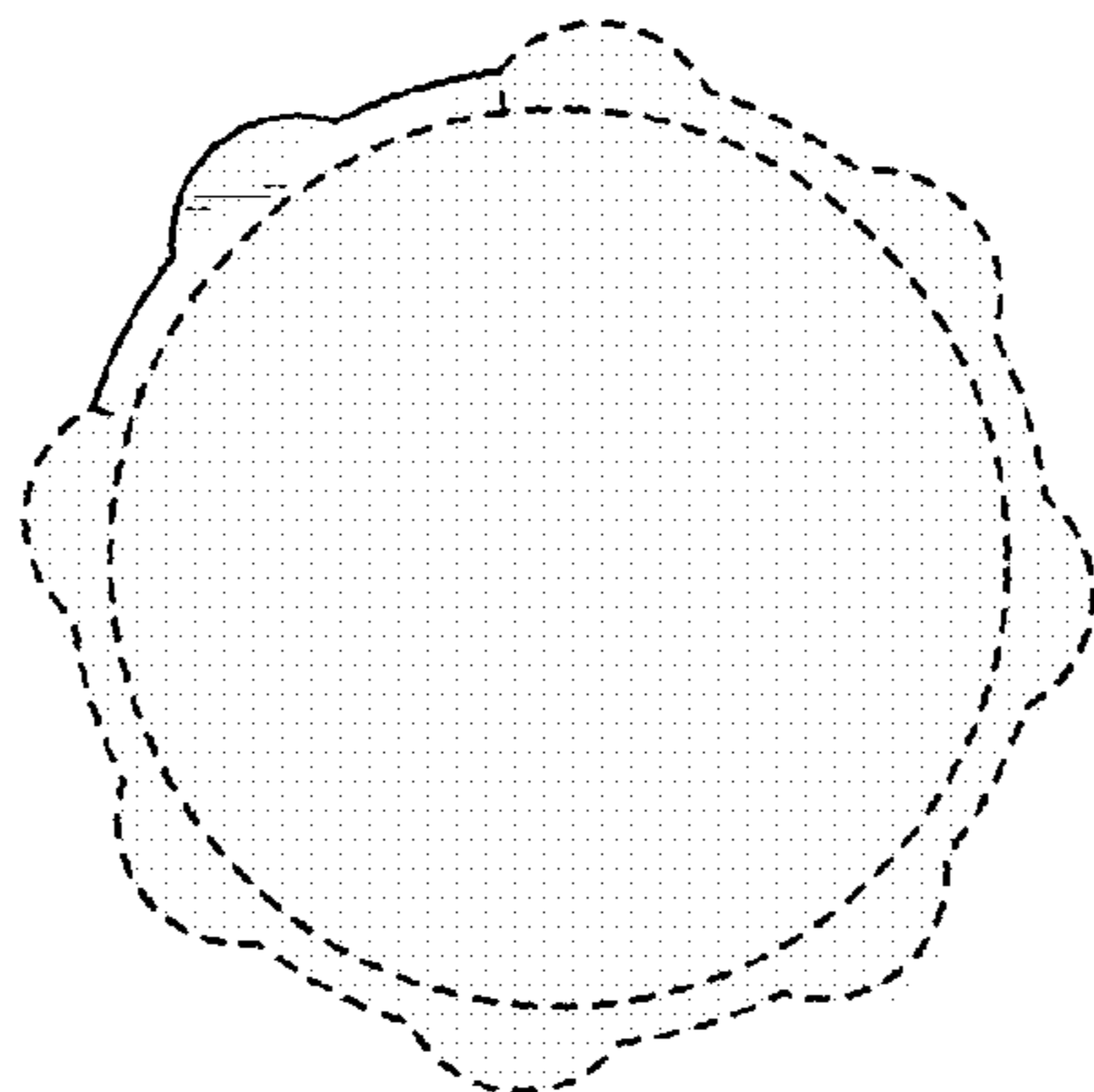


FIG. 4