



US00D691041S

(12) **United States Design Patent**  
**Herbst**

(10) **Patent No.:** **US D691,041 S**

(45) **Date of Patent:** **\*\* Oct. 8, 2013**

(54) **CAP FOR A BOTTLE**

(71) Applicant: **RNR IP Holdings, LLC**, Stockton, CA  
(US)

(72) Inventor: **Andrew F. Herbst**, Copperopolis, CA  
(US)

(73) Assignee: **RNR IP Holdings, LLC**, Stockton, CA  
(US)

(\*\*) Term: **14 Years**

(21) Appl. No.: **29/448,276**

(22) Filed: **Mar. 11, 2013**

**Related U.S. Application Data**

(63) Continuation of application No. 29/405,798, filed on  
Nov. 7, 2011, now Pat. No. Des. 680,441.

(51) **LOC (9) Cl.** ..... **09-07**

(52) **U.S. Cl.**  
USPC ..... **D9/441**

(58) **Field of Classification Search**  
USPC ..... D7/514–515, 606, 613, 628; D9/600,  
D9/655, 516, 414, 424, 441, 451; 206/457,  
206/527, 540; 220/890

See application file for complete search history.

(56) **References Cited**

**U.S. PATENT DOCUMENTS**

D300,408 S \* 3/1989 Couri ..... D9/665  
D440,487 S 4/2001 Leach  
D440,869 S 4/2001 Leach  
D442,476 S 5/2001 Davis  
D499,961 S 12/2004 Wilson

D604,179 S 11/2009 Rodriguez  
D612,238 S \* 3/2010 Moreau et al. .... D9/452  
D619,476 S 7/2010 McClellan et al.  
2004/0069671 A1 4/2004 Lam

\* cited by examiner

*Primary Examiner* — Sandra Morris

(74) *Attorney, Agent, or Firm* — Maier & Maier PLLC

(57) **CLAIM**

The ornamental design for a cap for a bottle, as shown and  
described.

**DESCRIPTION**

FIG. 1 is a front isometric view of a first embodiment of a cap  
for a bottle, showing my design;

FIG. 2 is a front view thereof;

FIG. 3 is a rear view thereof;

FIG. 4 is a left side view thereof;

FIG. 5 is a right side view thereof;

FIG. 6 is a top view thereof;

FIG. 7 is a front isometric view of a second embodiment of a  
cap for a bottle, the only difference being that the cap for a  
bottle is transparent;

FIG. 8 is a front view thereof;

FIG. 9 is a rear view thereof;

FIG. 10 is a left side view thereof;

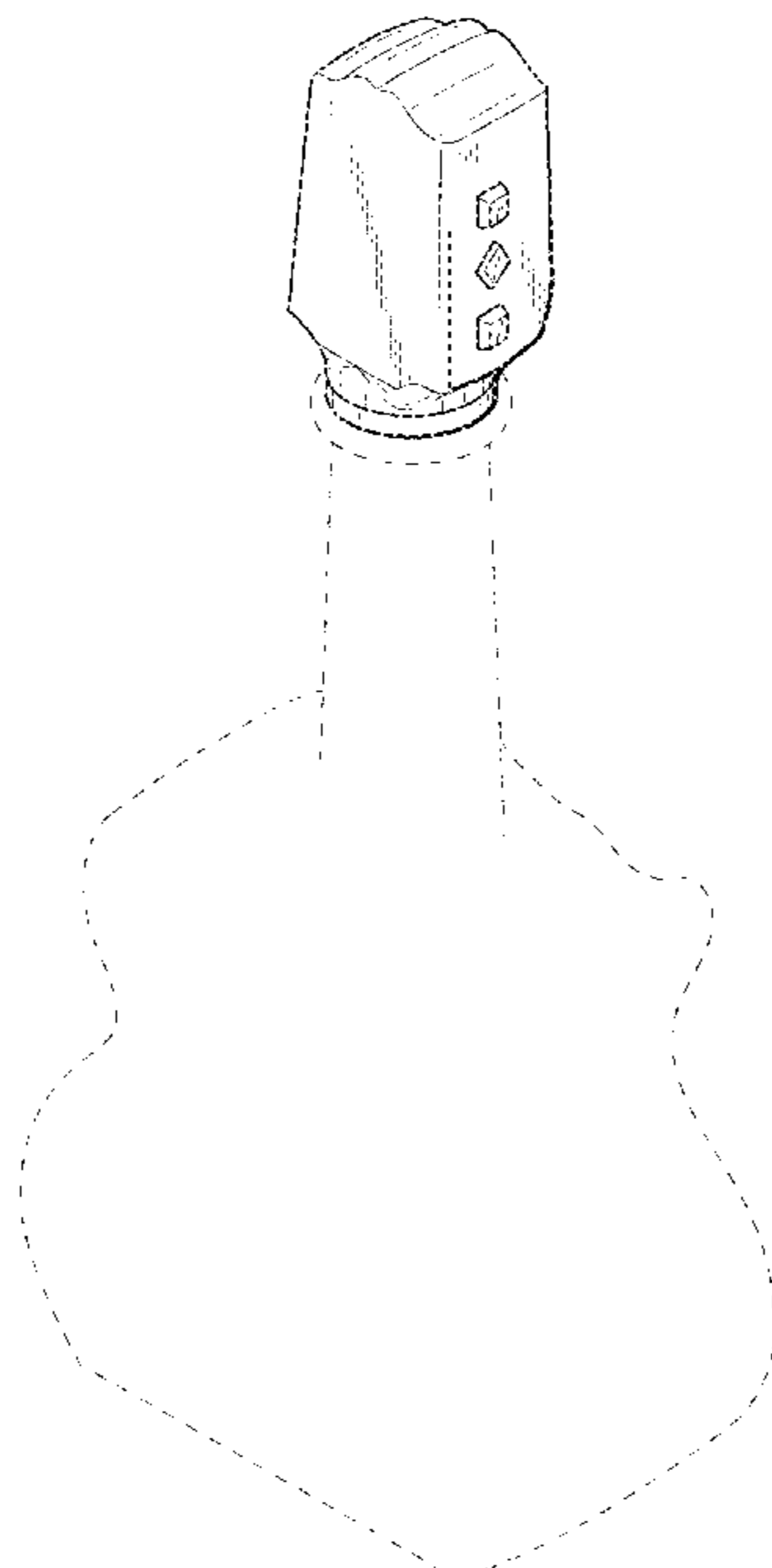
FIG. 11 is a right side view thereof; and,

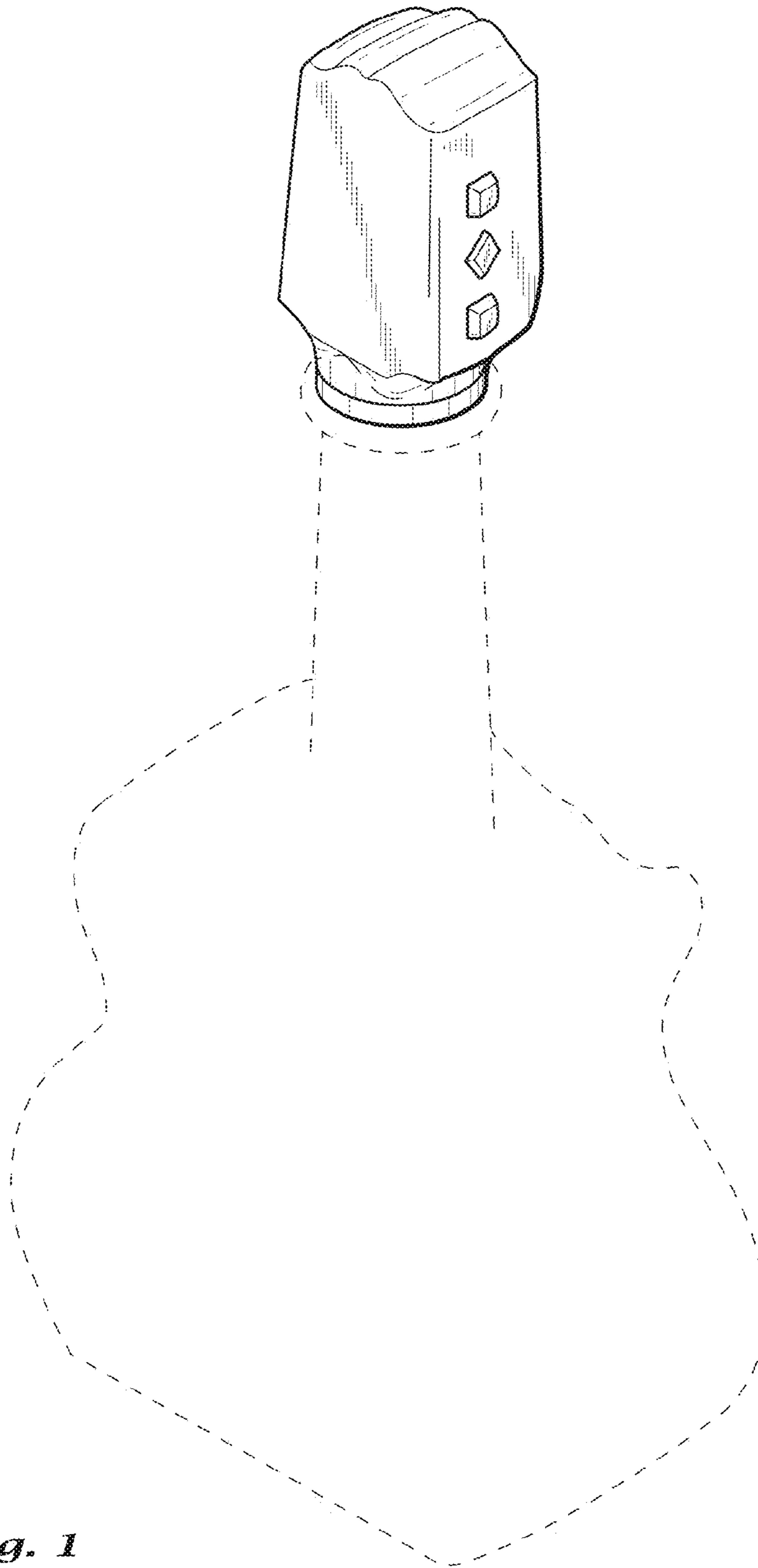
FIG. 12 is a top view thereof.

Portions of the cap for a bottle that are not shown in the  
drawings form no part of the claimed design.

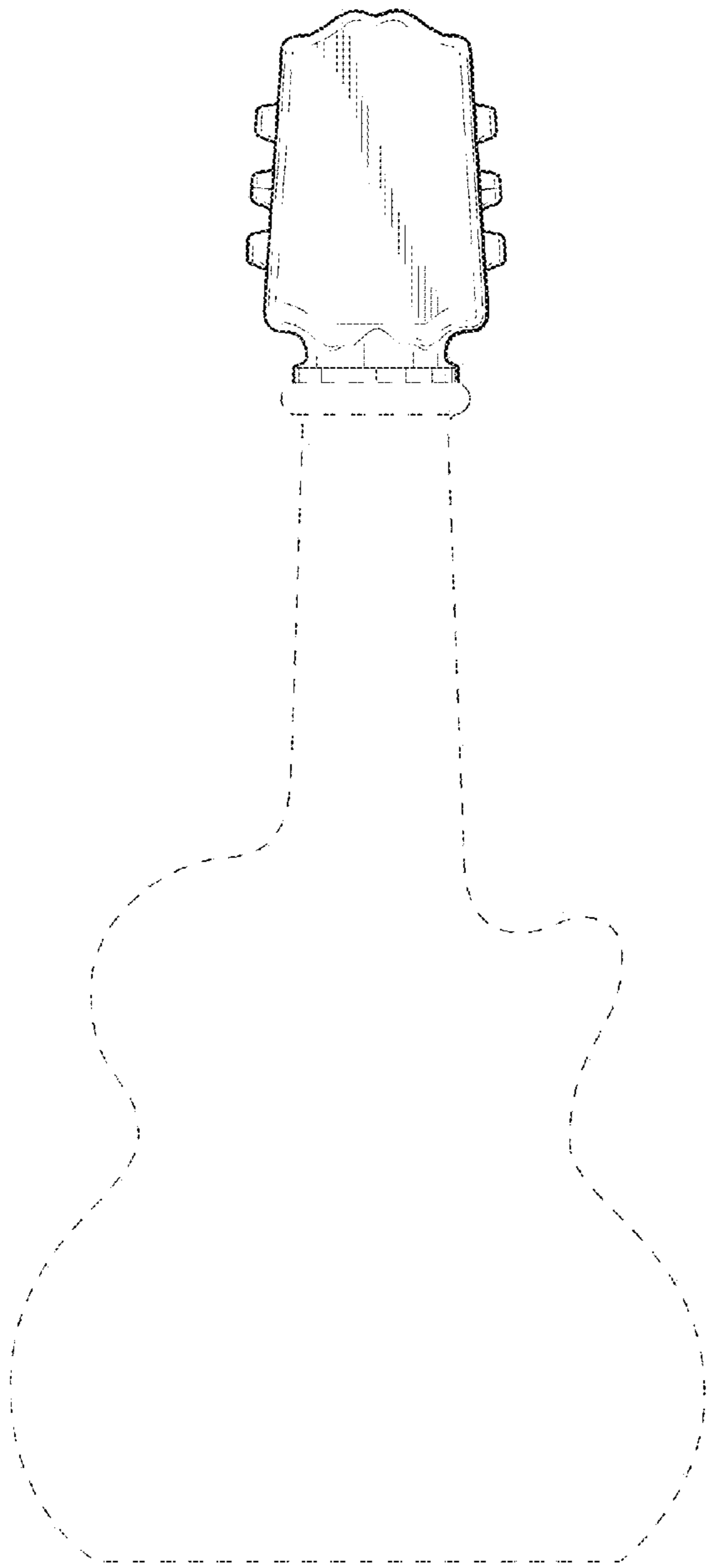
The broken line showing of a bottle is for the purposes of  
illustrating environmental structure and forms no part of the  
claimed design.

**1 Claim, 8 Drawing Sheets**

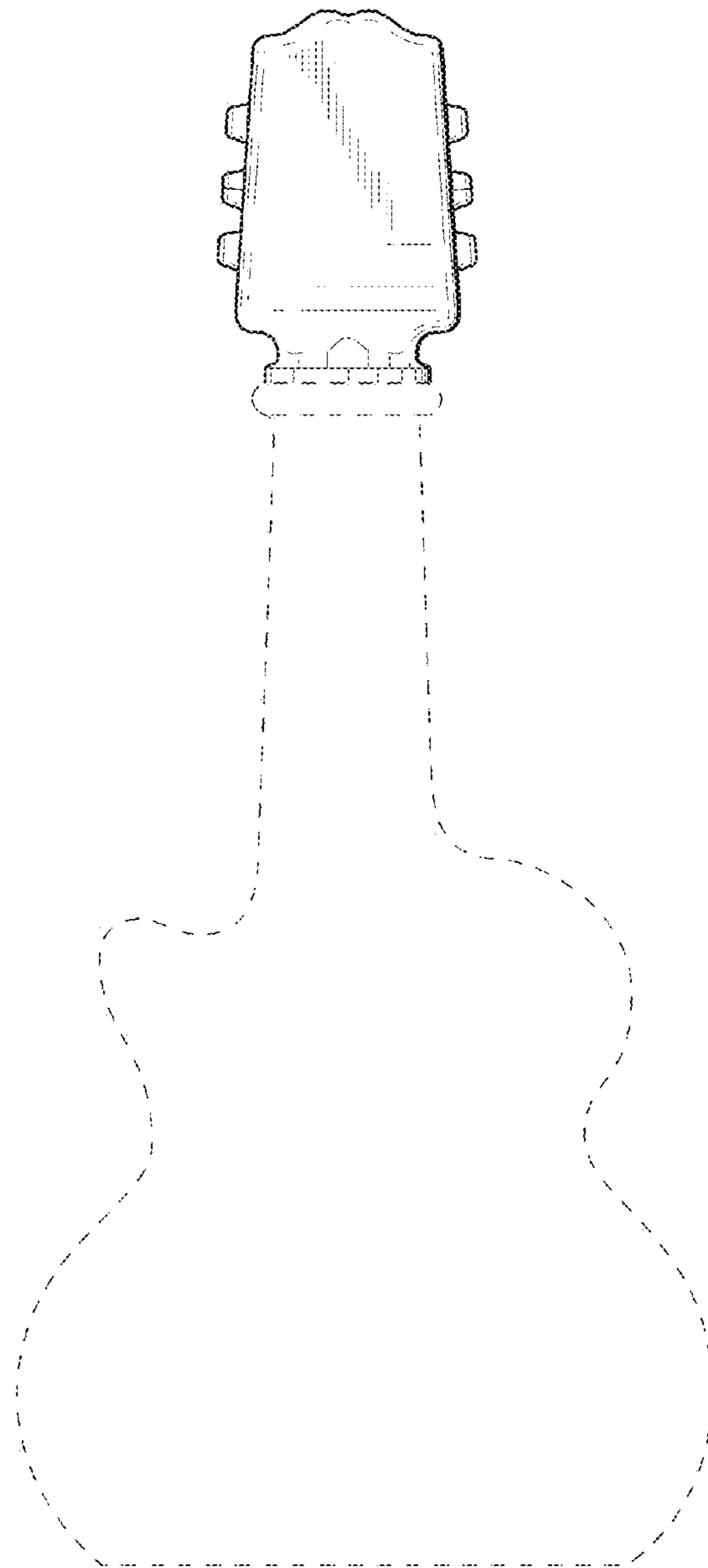




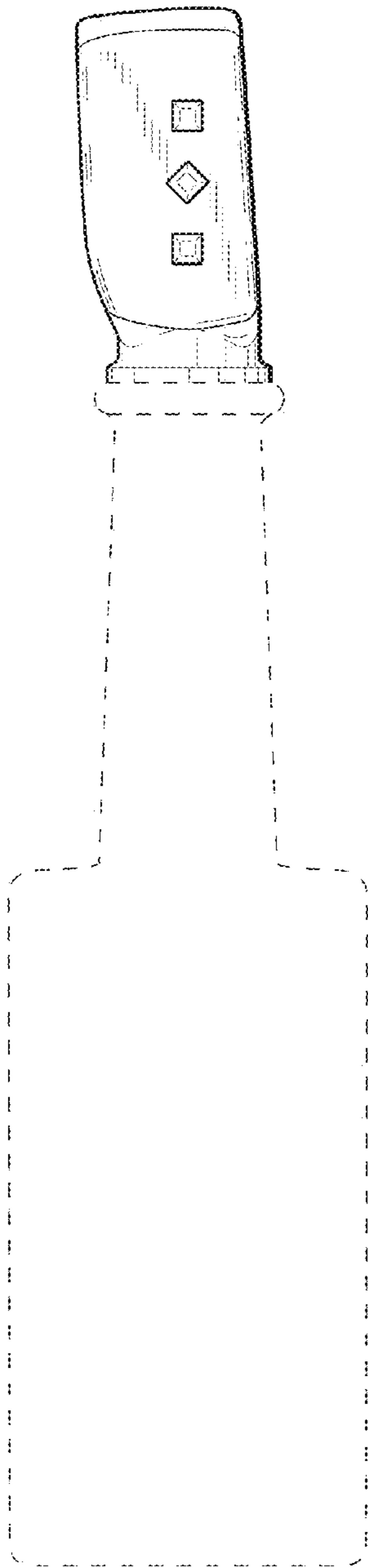
*Fig. 1*



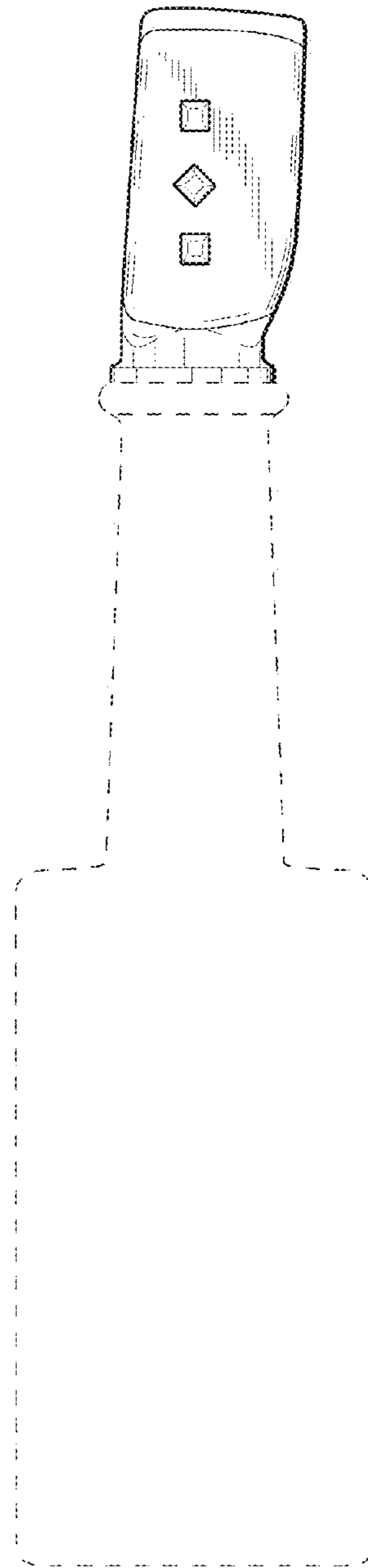
*Fig. 2*



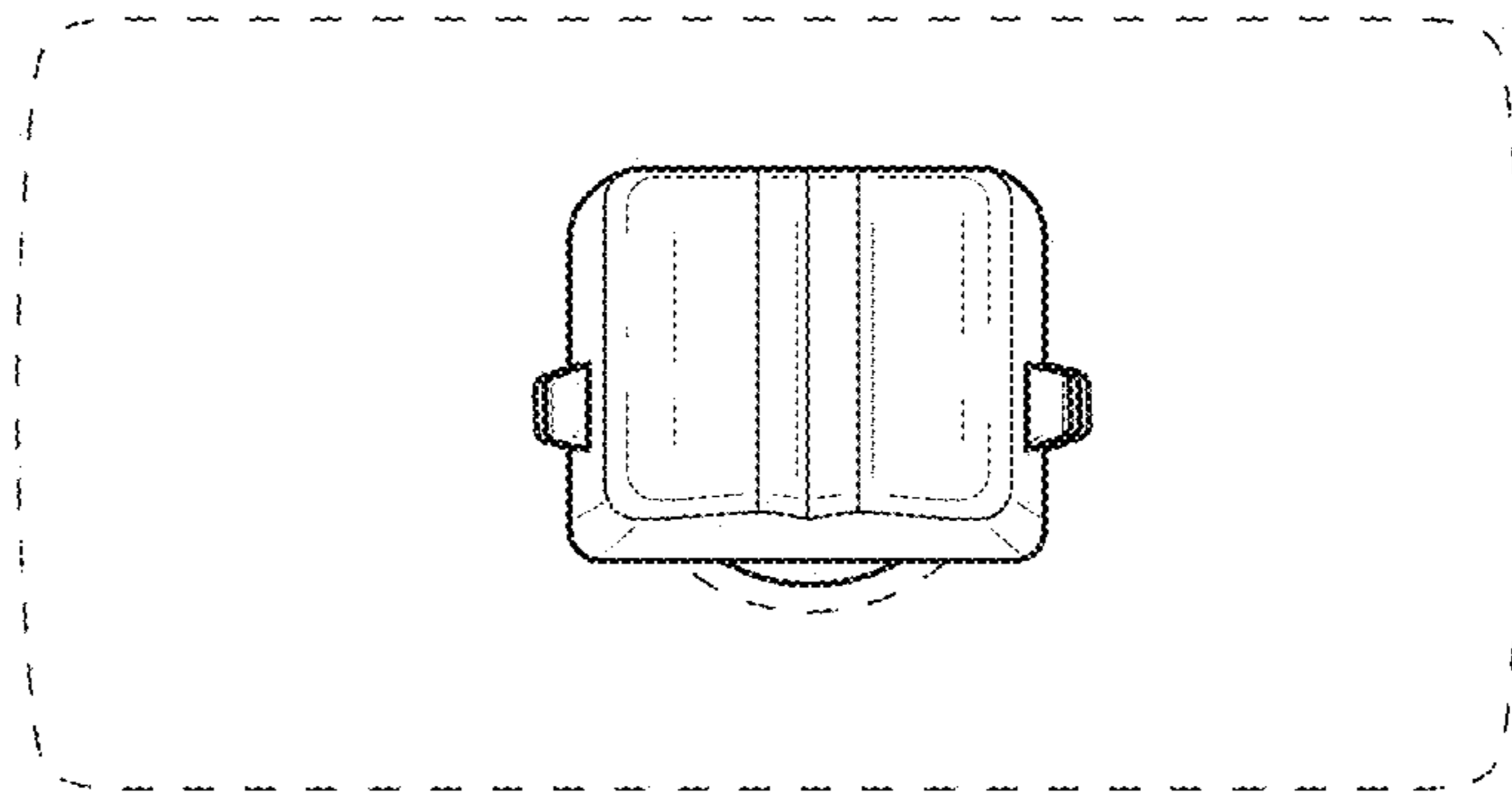
*Fig. 3*



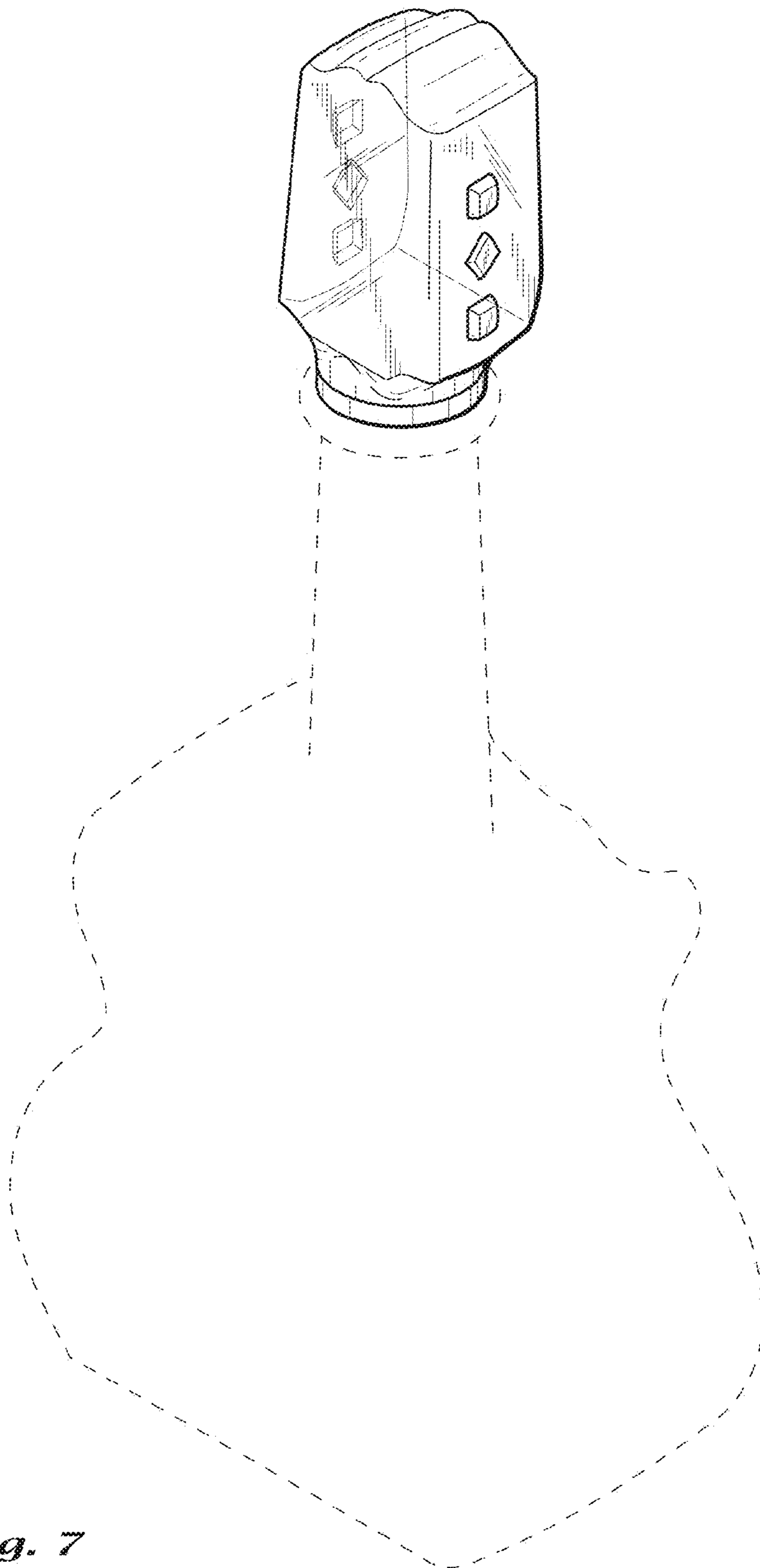
*Fig. 4*



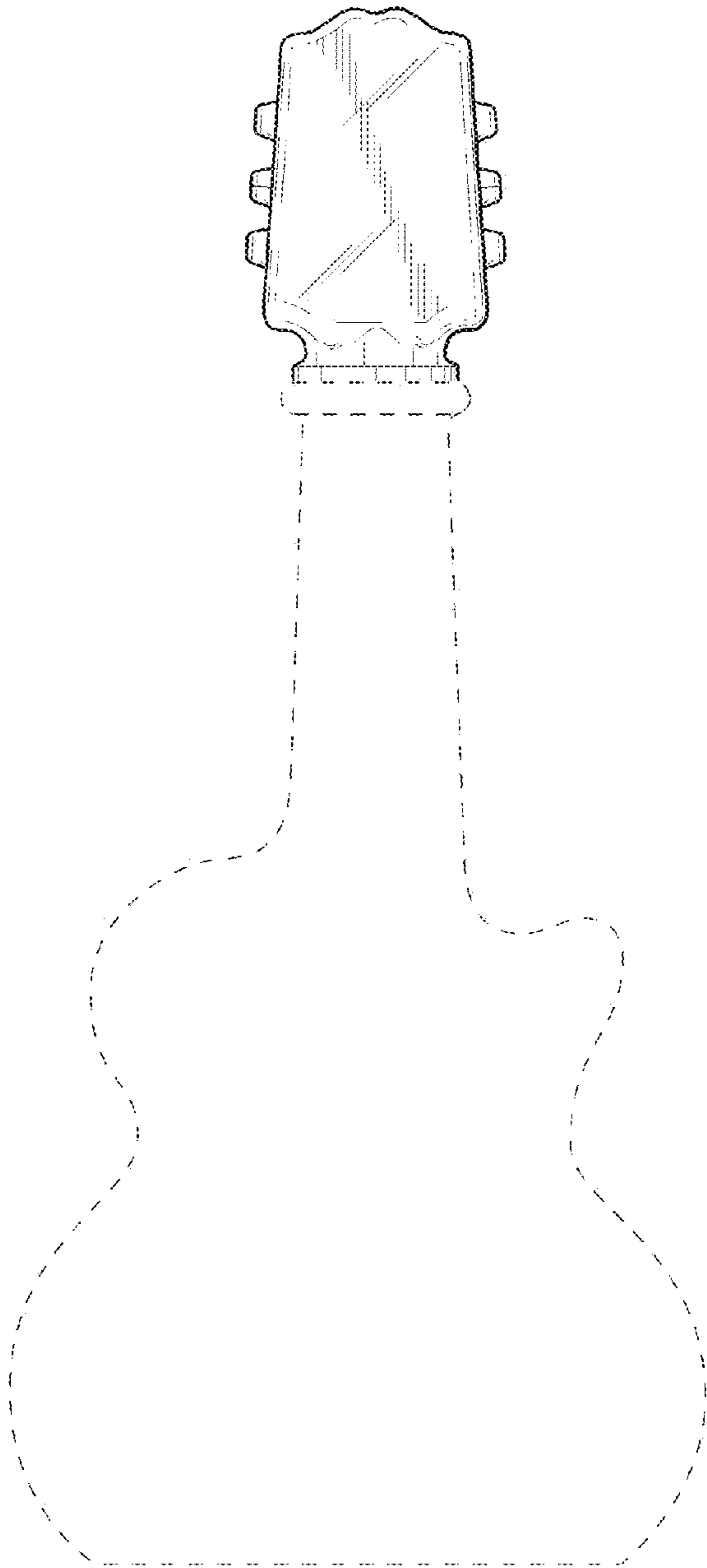
*Fig. 5*



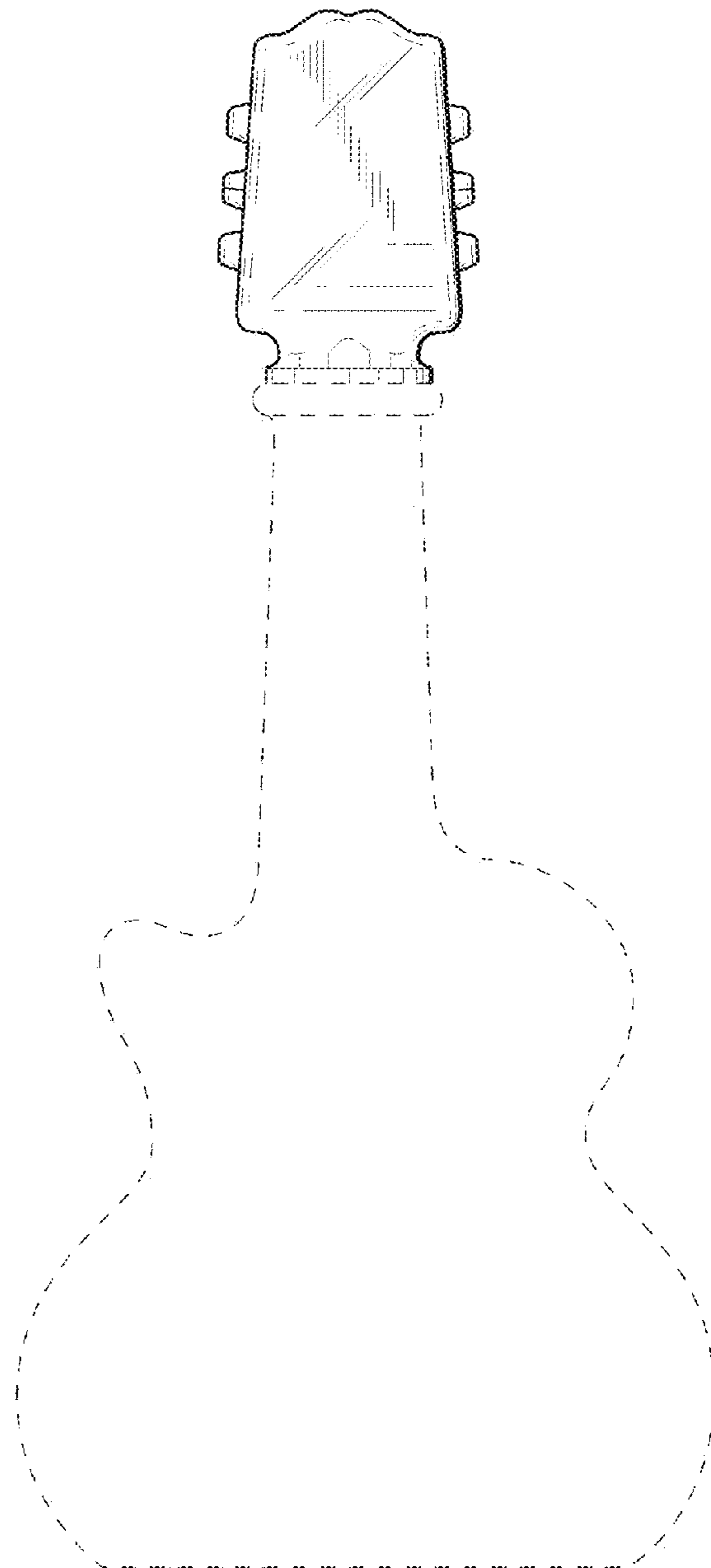
*Fig. 6*



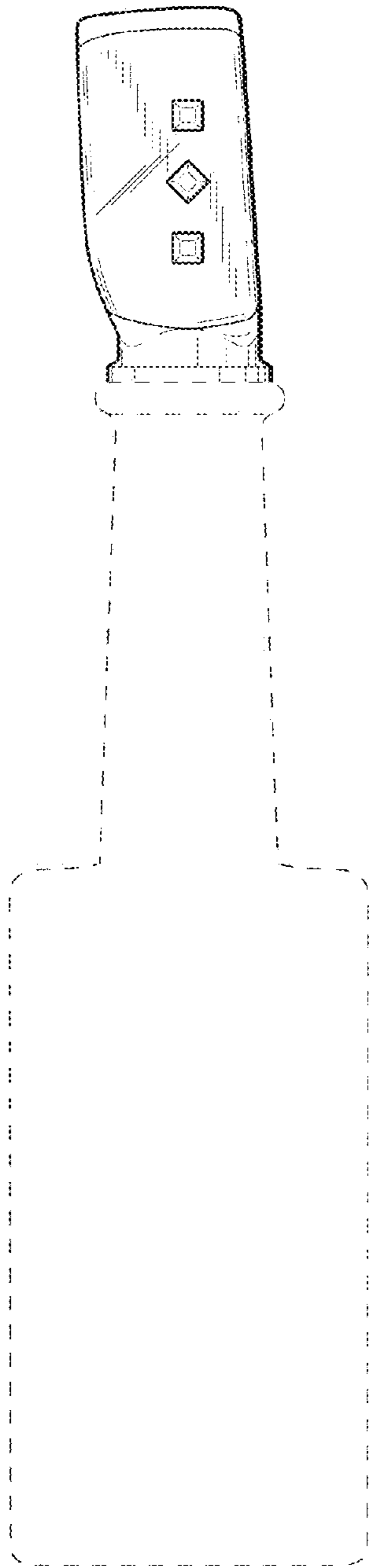
*Fig. 7*



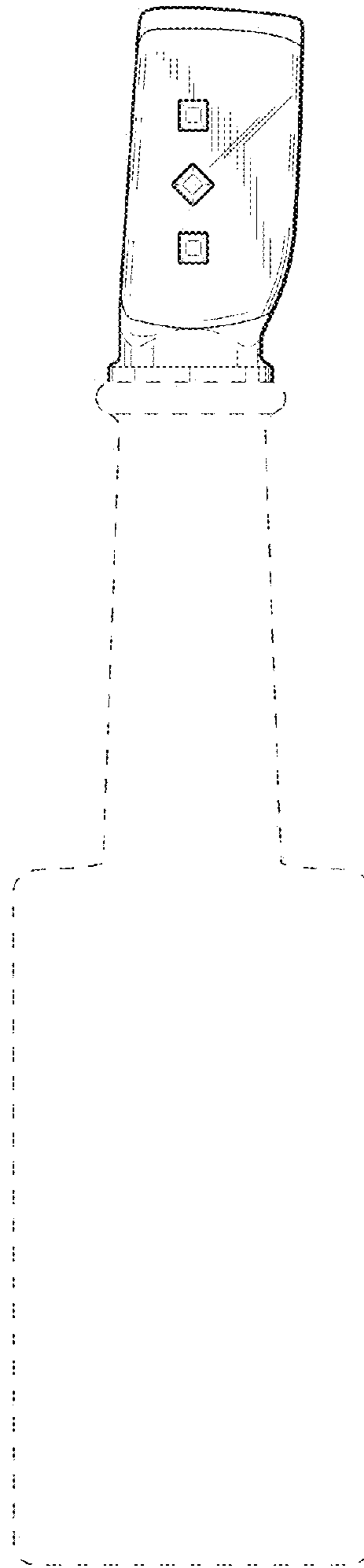
*Fig. 8*



*Fig. 9*

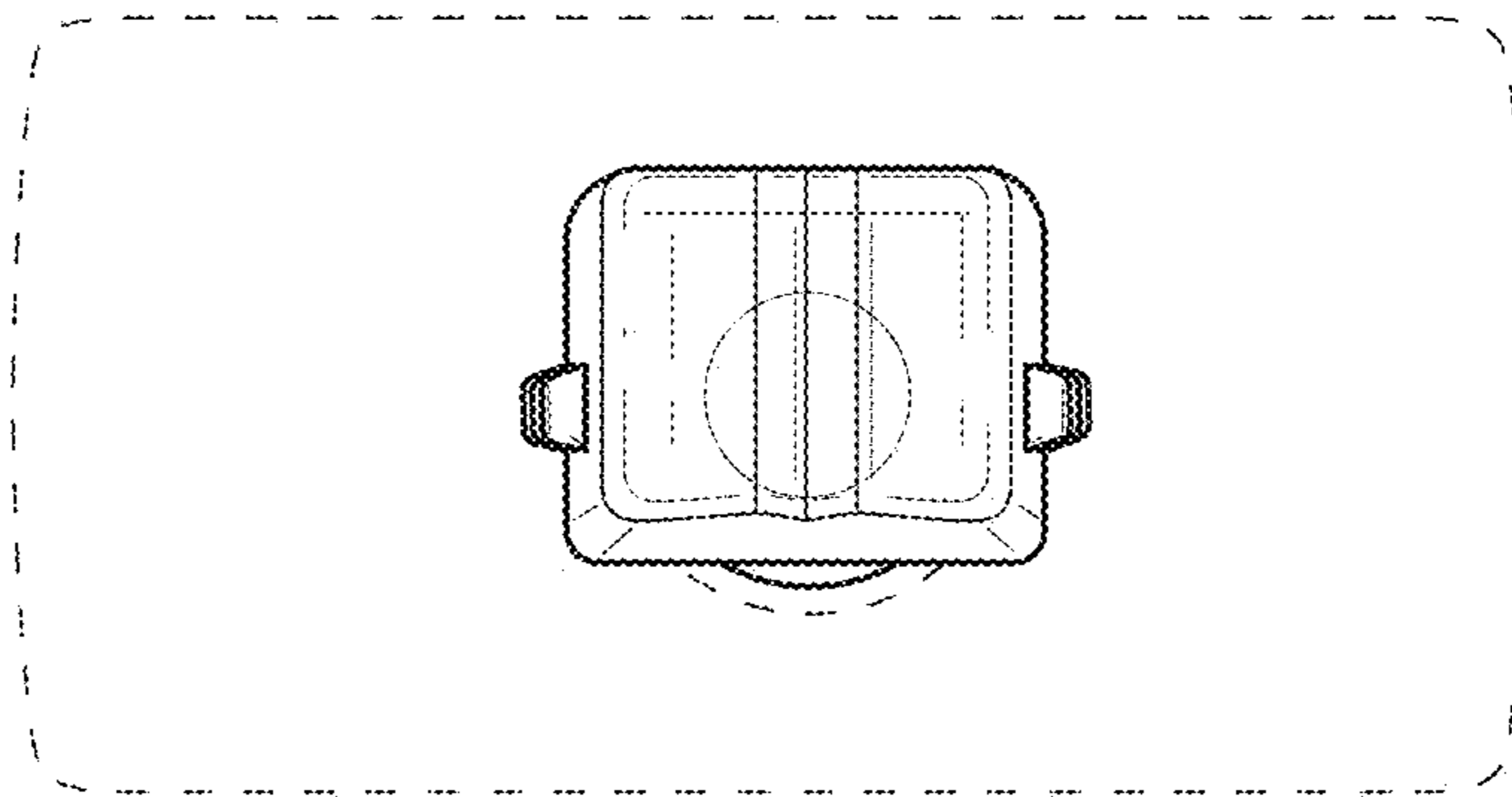


*Fig. 10*



*Fig. 11*





*Fig. 12*