



US00D691037S

(12) **United States Design Patent**
Chen

(10) **Patent No.:** **US D691,037 S**
(45) **Date of Patent:** **** Oct. 8, 2013**

(54) **SEALING TYPE FOOD CONTAINER**

(76) Inventor: **Ya-Chien Chen**, Taipei (TW)

(**) Term: **14 Years**

(21) Appl. No.: **29/404,215**

(22) Filed: **Oct. 18, 2011**

(51) **LOC (9) Cl.** **09-03**

(52) **U.S. Cl.**
USPC **D9/423**

(58) **Field of Classification Search**

USPC D9/414-416, 418-421, 423-428,
D9/430-432, 434; D3/302, 314; 206/119,
206/464, 470, 508, 545, 806; 220/4.22-4.24,
220/574, 604-608, 659, 675, 781-782, 793,
220/835, 839, DIG. 14; 229/406, 407, 902;
D7/396.1, 392.1, 394, 538, 543-545, 550.1,
D7/551, 554.3, 587, 566, 584, 586, 629, 667;
221/191; D23/355-366; 219/725, 735

See application file for complete search history.

(56) **References Cited**

U.S. PATENT DOCUMENTS

| | | | | | |
|-----------|-----|---------|-------------------|-------|---------|
| 3,424,342 | A * | 1/1969 | Scopp et al. | | 220/793 |
| 3,447,714 | A * | 6/1969 | Elliot | | 206/1.5 |
| 4,819,824 | A * | 4/1989 | Longbottom et al. | | 220/266 |
| 5,012,928 | A * | 5/1991 | Proffitt et al. | | 206/508 |
| D330,161 | S * | 10/1992 | Schuh | | D9/423 |
| D351,999 | S * | 11/1994 | Krupa | | D9/423 |
| D366,397 | S * | 1/1996 | Zimmerman | | D7/629 |
| D409,484 | S * | 5/1999 | Tasker | | D9/423 |

| | | | | | |
|-----------|------|---------|----------------|-------|---------|
| D445,649 | S * | 7/2001 | Maxwell et al. | | D7/629 |
| D490,278 | S * | 5/2004 | Welsh | | D7/629 |
| D505,839 | S * | 6/2005 | Stanos et al. | | D7/629 |
| D554,988 | S * | 11/2007 | Sim | | D9/425 |
| D636,258 | S * | 4/2011 | Freeman et al. | | D9/425 |
| D645,737 | S * | 9/2011 | Oakes | | D9/425 |
| D646,564 | S * | 10/2011 | Freeman et al. | | D9/425 |
| 8,240,505 | B1 * | 8/2012 | Chen | | 220/793 |

* cited by examiner

Primary Examiner — Thomas Johannes

(74) *Attorney, Agent, or Firm* — Rosenberg, Klein & Lee

(57) **CLAIM**

The ornamental design for a sealing type food container, as shown and described.

DESCRIPTION

FIG. 1 is a perspective view of a sealing type food container showing my new design;

FIG. 2 is a front elevational view thereof;

FIG. 3 is a rear elevational view thereof;

FIG. 4 is a left side elevational view thereof;

FIG. 5 is a right side elevational view thereof;

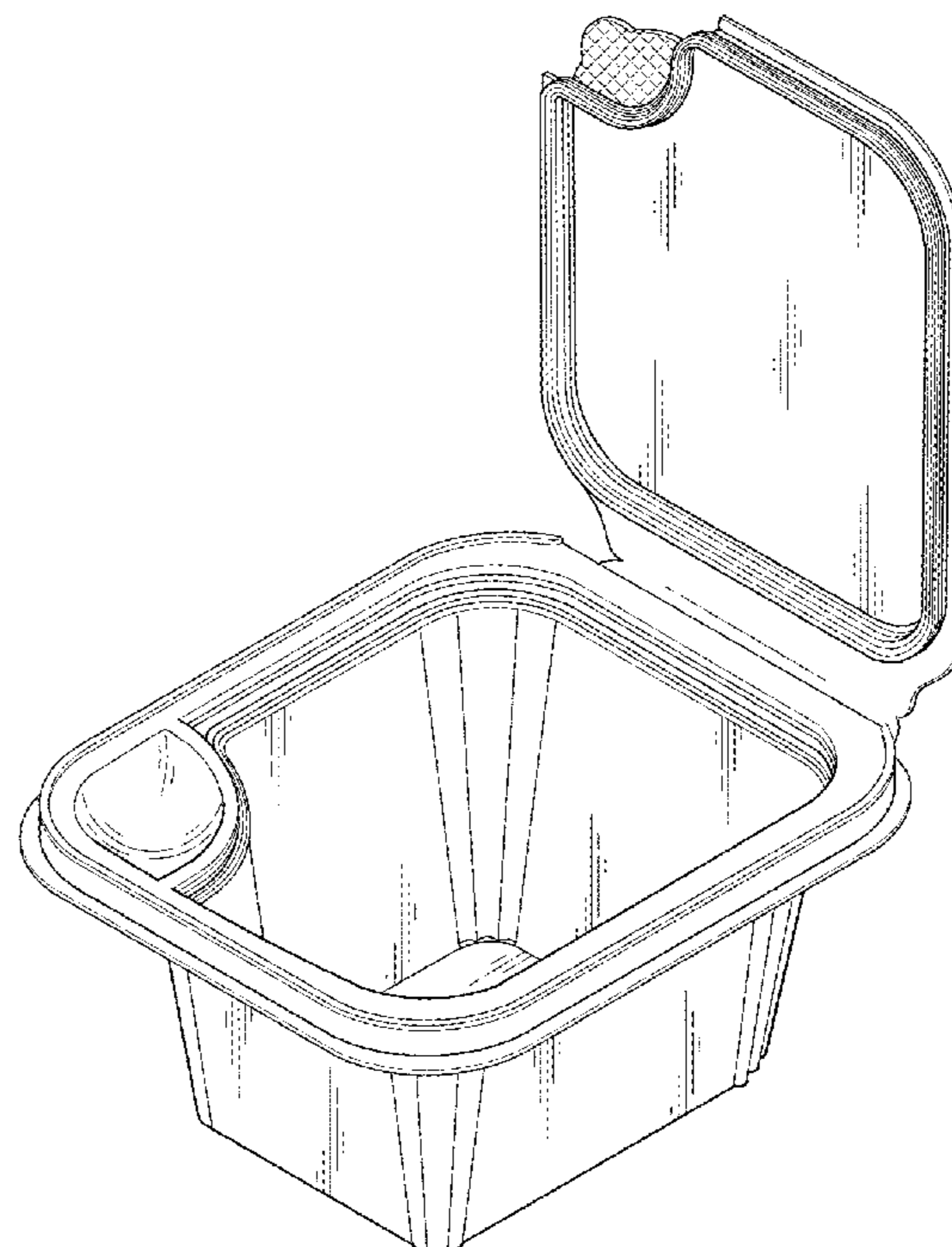
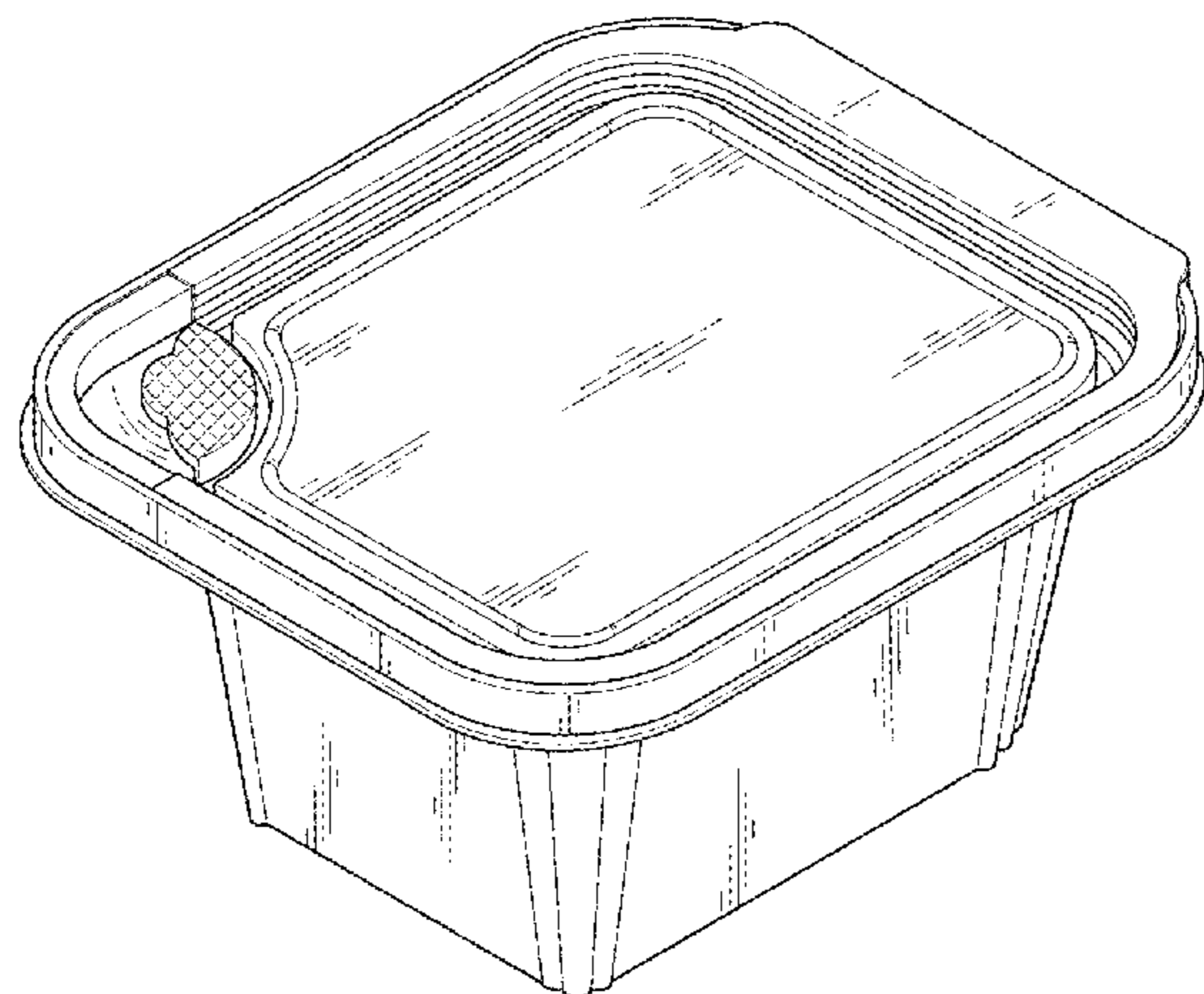
FIG. 6 is a top plan view thereof;

FIG. 7 is a bottom plan view thereof; and,

FIG. 8 is a perspective view thereof with the container lid in open position.

The broken line portion of the figure drawings is included to show unclaimed subject matter only and forms no part of the claimed design.

1 Claim, 5 Drawing Sheets



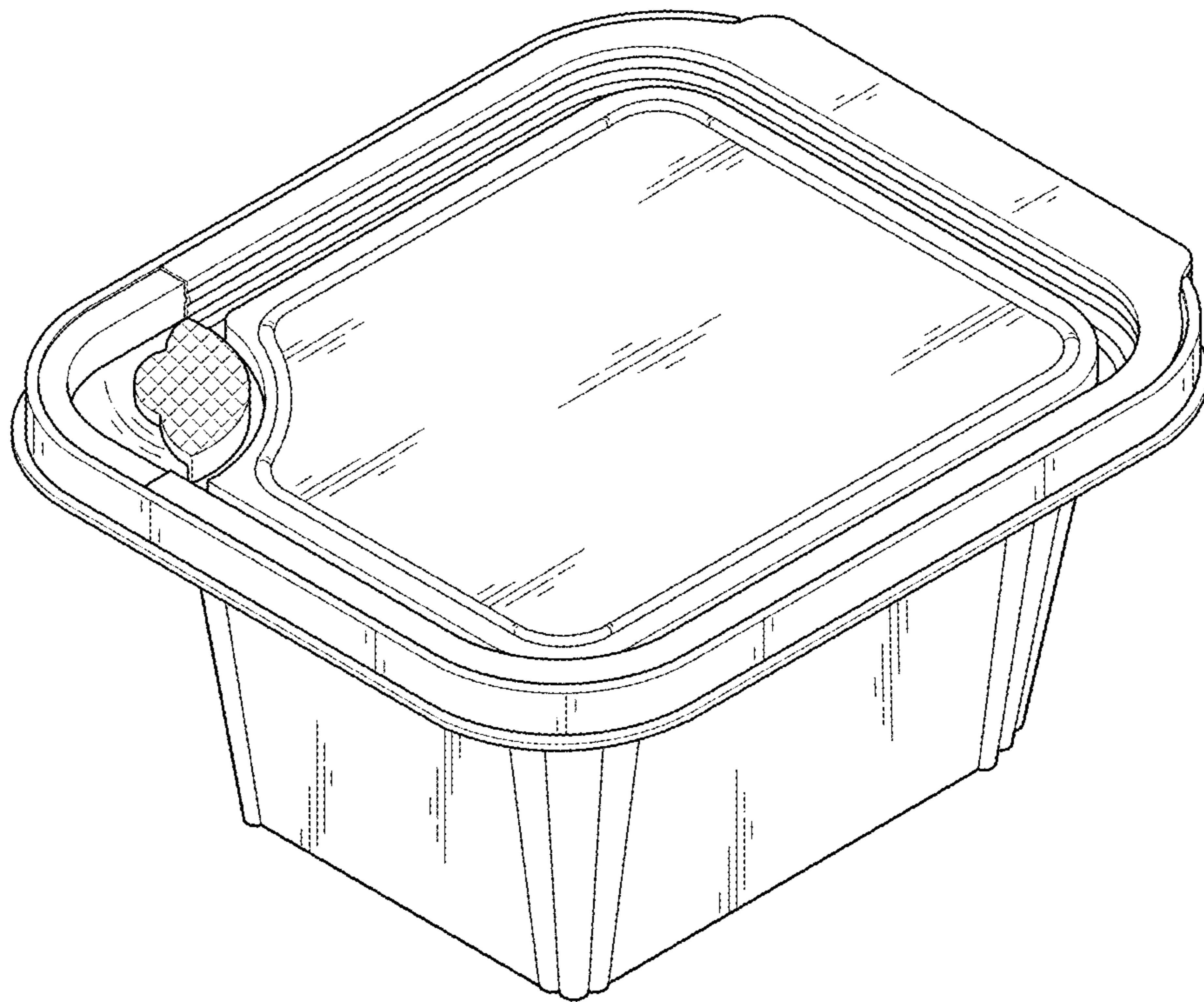


FIG.1

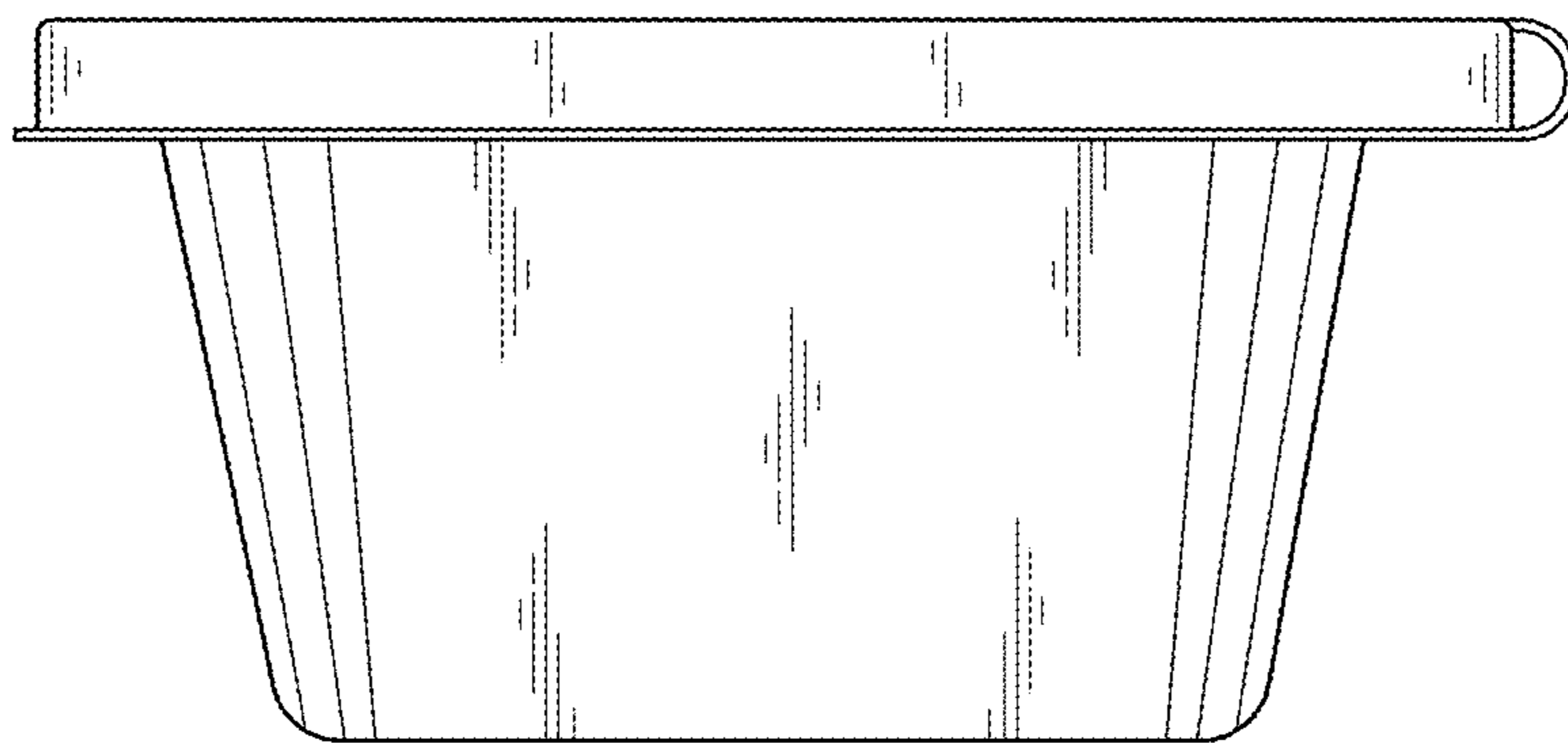


FIG. 2

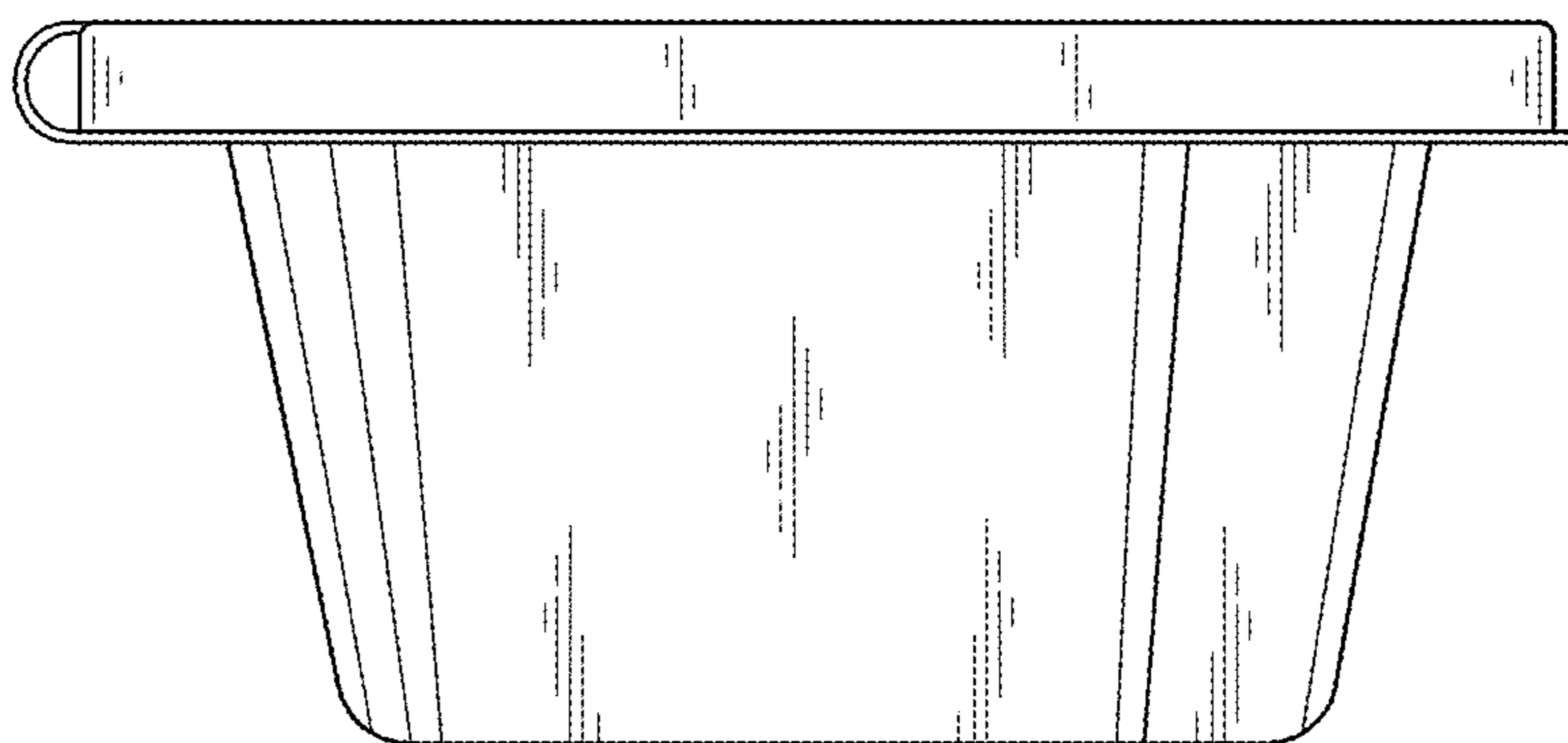


FIG. 3

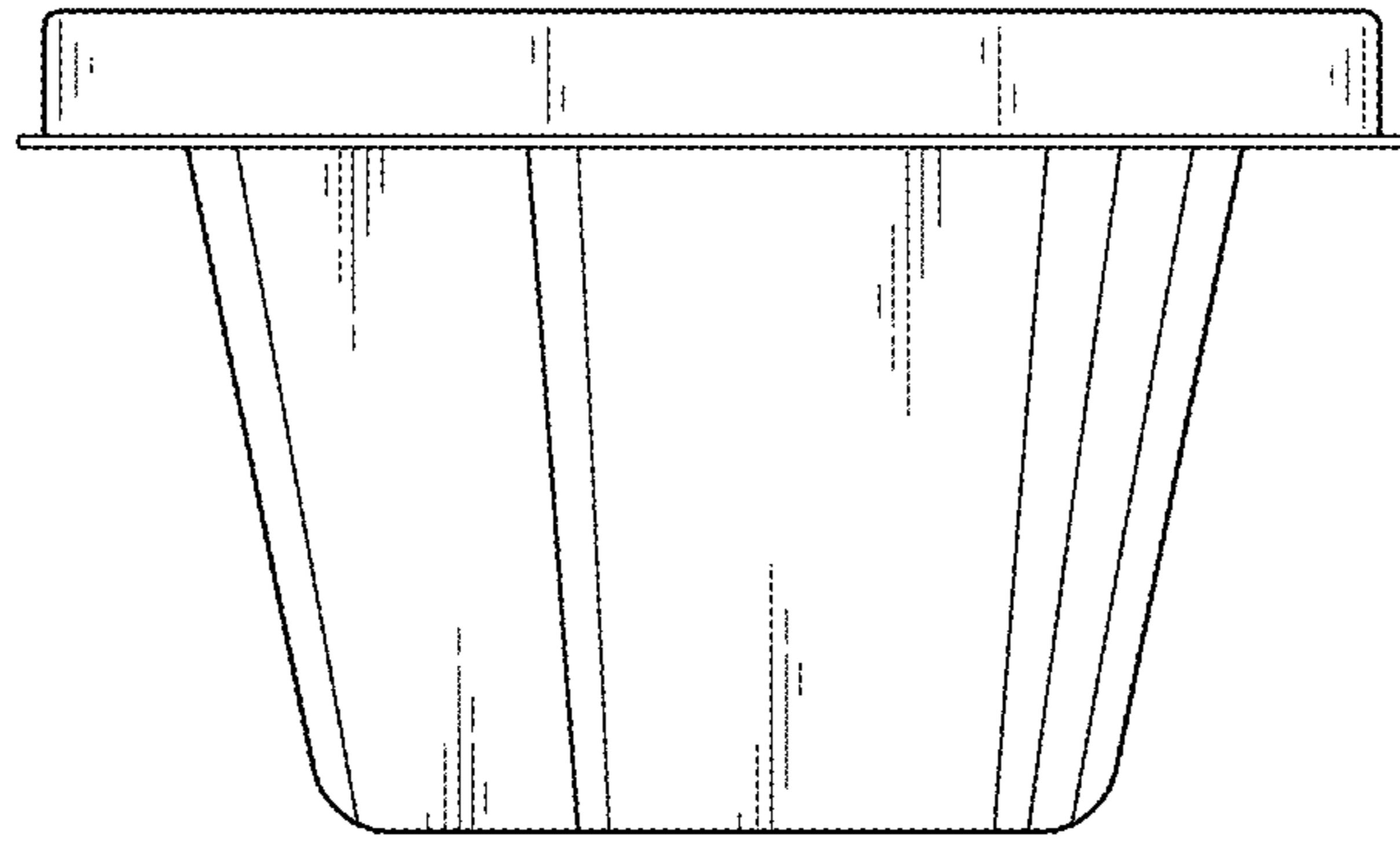


FIG. 4

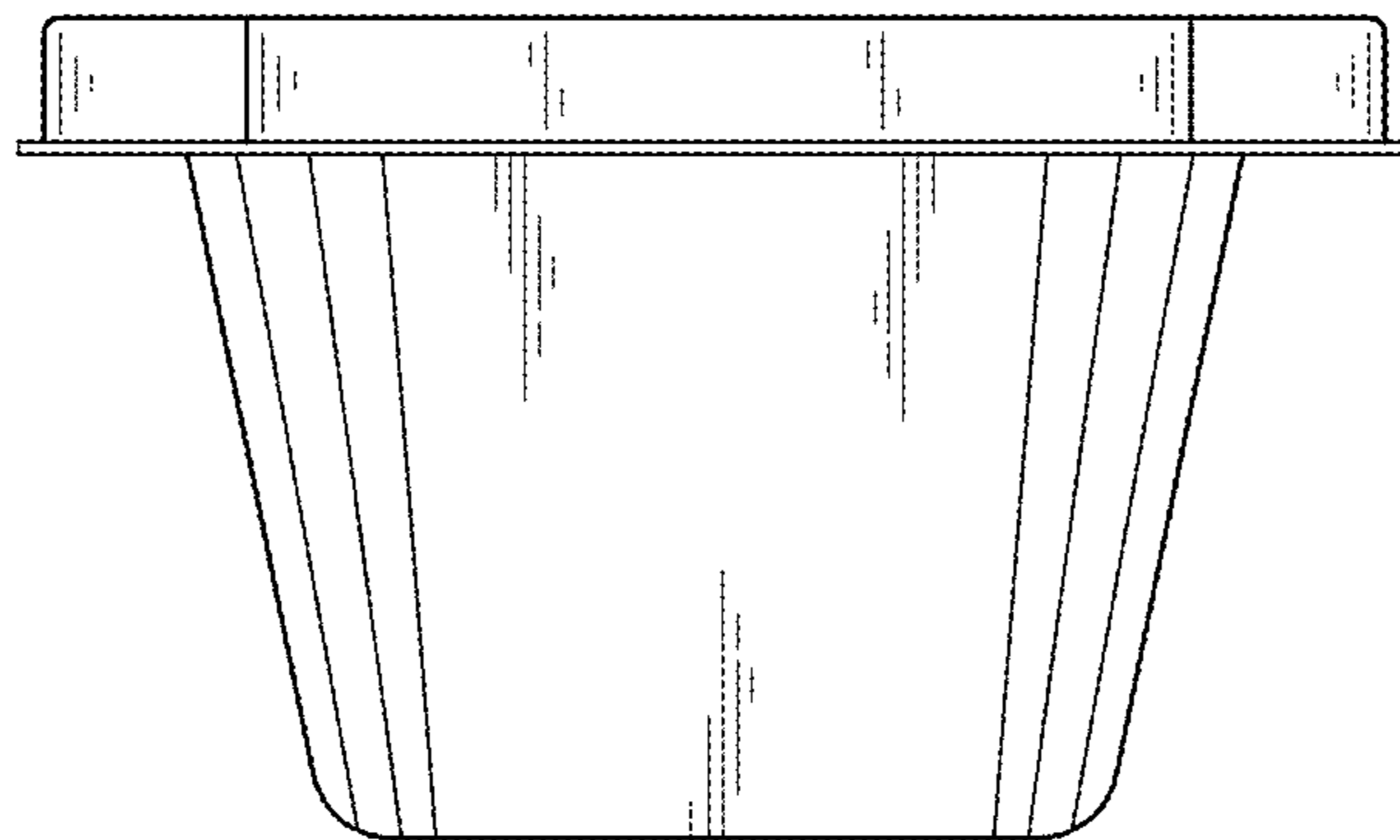


FIG. 5

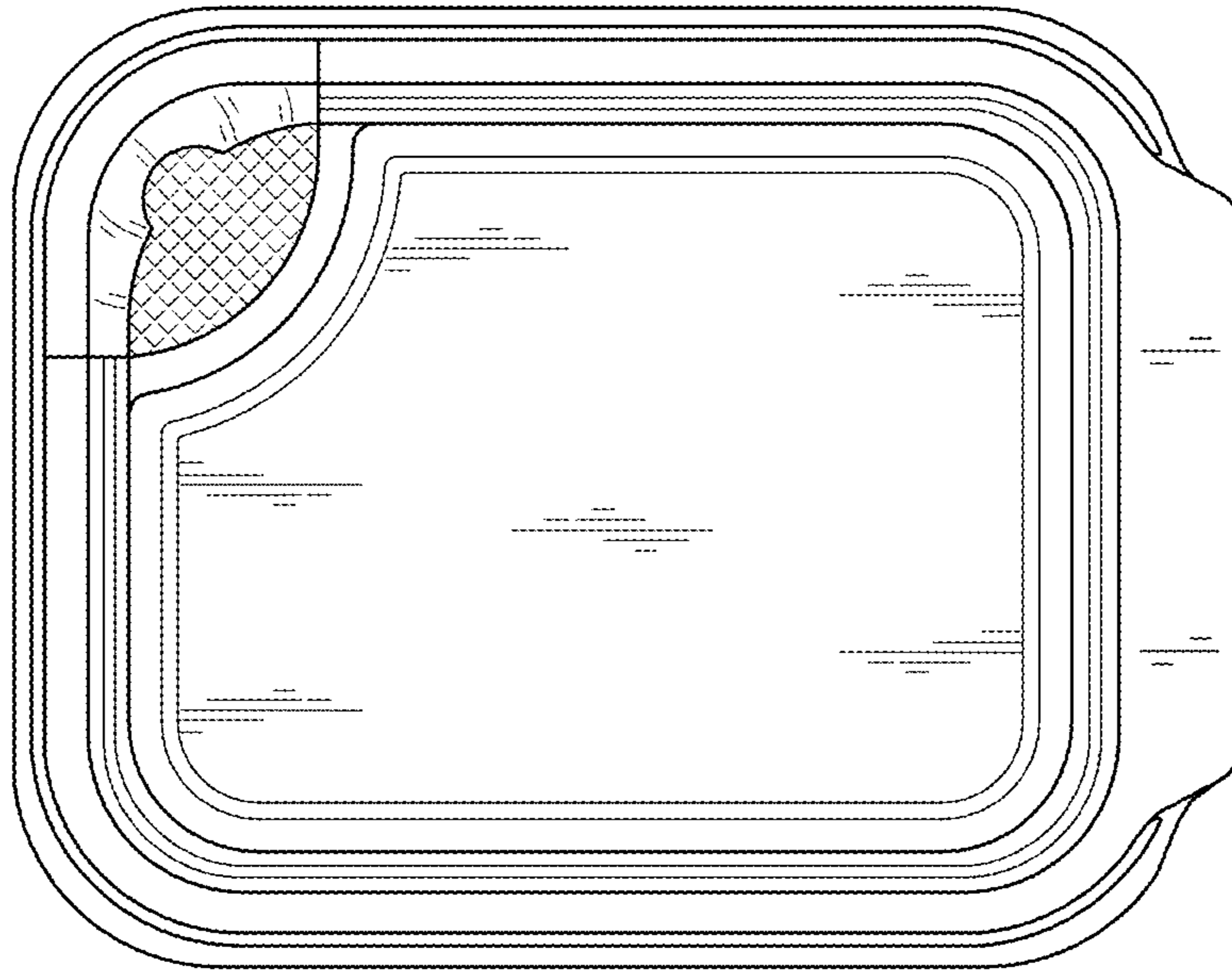


FIG. 6

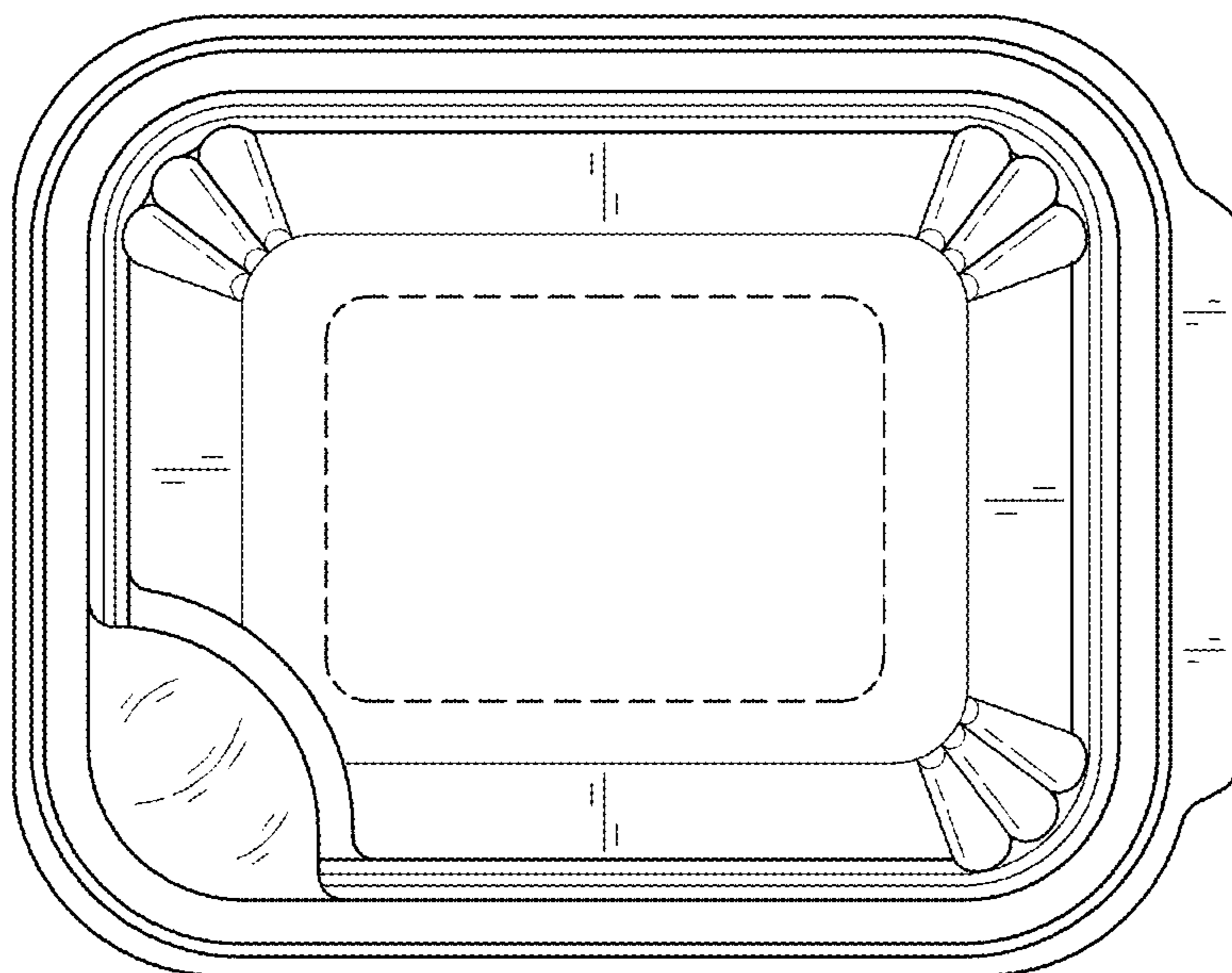


FIG. 7

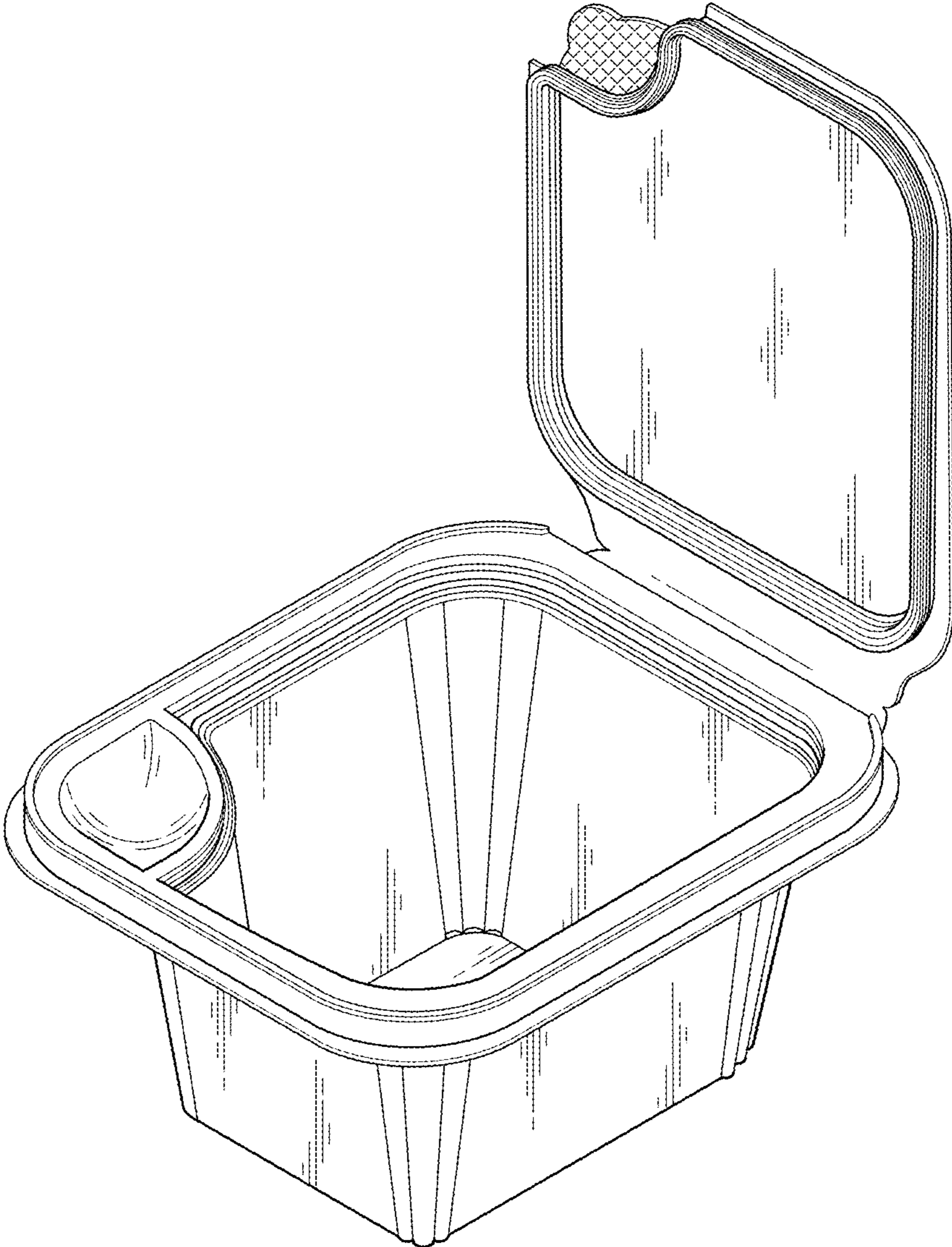


FIG.8