

US00D691034S

(12) **United States Design Patent**
Field et al.

(10) **Patent No.:** **US D691,034 S**
(45) **Date of Patent:** **** Oct. 8, 2013**

(54) **WASHER**

(71) Applicant: **Piping Integrity Equipment Limited,**
New Plymouth (NZ)

(72) Inventors: **Lyall James Field,** New Plymouth (NZ);
Jason Dennis Woodward, New
Plymouth (NZ)

(73) Assignee: **Piping Integrity Equipment Limited**
(NZ)

(**) Term: **14 Years**

(21) Appl. No.: **29/432,562**

(22) Filed: **Sep. 17, 2012**

(30) **Foreign Application Priority Data**

Jul. 26, 2012 (NZ) 416535

(51) **LOC (9) Cl.** **08-08**

(52) **U.S. Cl.**
USPC **D8/399**

(58) **Field of Classification Search**
USPC D8/399, 382, 349, 397, 394, 70,
D8/387; 411/429, 432, 918, 179, 180;
D23/262; 285/321; 403/114, 115, 145,
403/146; 81/177.7, 177.75, 177.85; 29/525.2,
29/592

See application file for complete search history.

(56) **References Cited**

U.S. PATENT DOCUMENTS

881,763 A * 3/1908 Allen 411/139
3,351,116 A 11/1967 Madsen
3,729,757 A * 5/1973 Wright 470/19

D284,165 S * 6/1986 Brilando et al. D8/397
4,906,150 A 3/1990 Bennett
5,011,351 A * 4/1991 Terry 411/144
5,429,465 A 7/1995 Puskas
5,890,857 A * 4/1999 Herrera 411/11
6,450,746 B1 9/2002 Kirimonto
D484,037 S * 12/2003 Fleetwood D8/399
D517,947 S * 3/2006 Hollingworth et al. D11/220
7,207,762 B2 * 4/2007 Teal 411/526
D562,187 S * 2/2008 Tiede D12/7
D628,218 S * 11/2010 Tommassini D15/138
D659,529 S * 5/2012 Ojanen et al. D8/399
2004/0101383 A1 * 5/2004 Carr et al. 411/533
2011/0129318 A1 6/2011 Davies

FOREIGN PATENT DOCUMENTS

GB 2260177 A 4/1993
WO 2004042243 A1 5/2004

* cited by examiner

Primary Examiner — Cynthia Underwood

(74) *Attorney, Agent, or Firm* — Jansson Munger McKinley
& Shape Ltd.

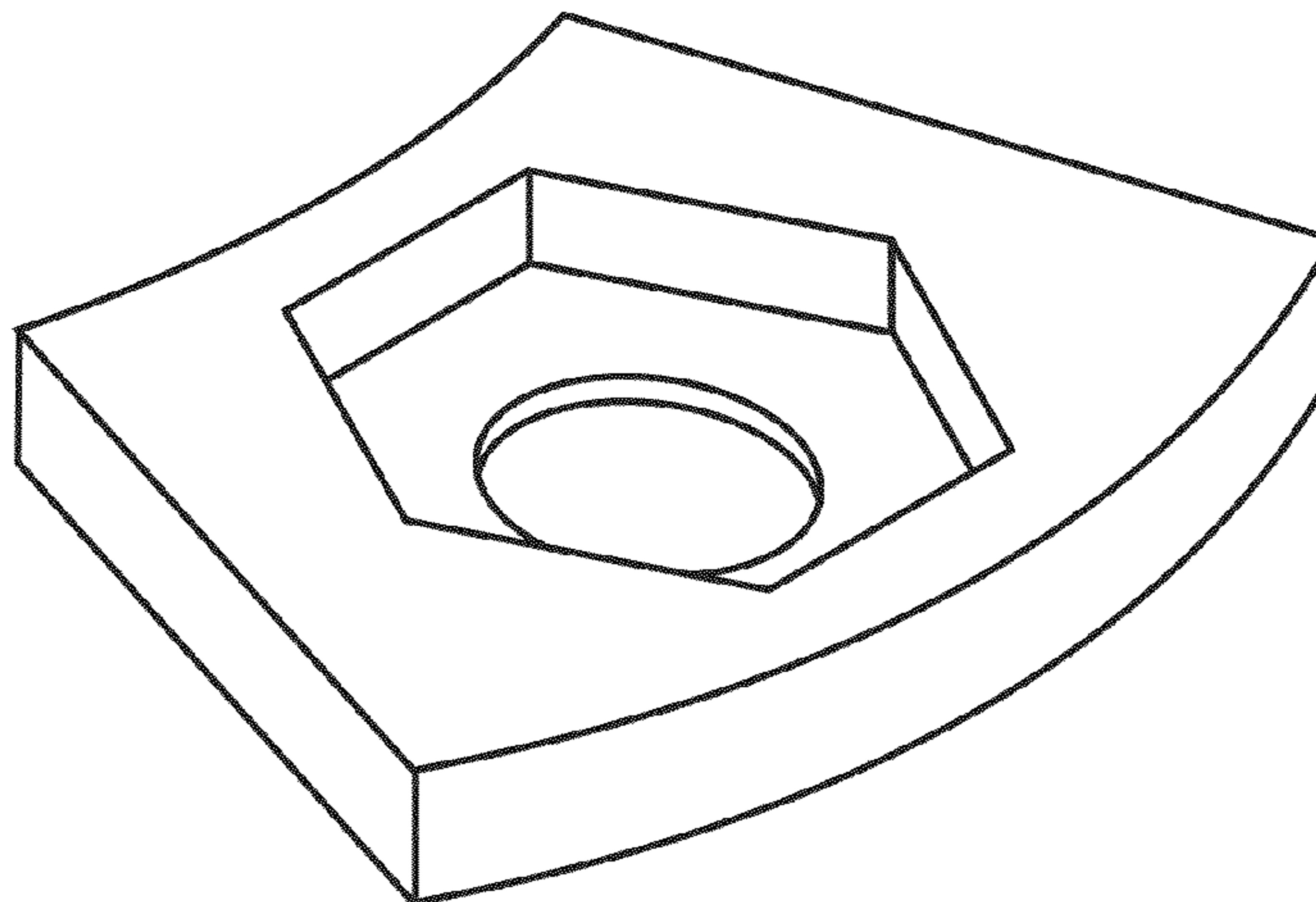
(57) **CLAIM**

We claim the ornamental design for a washer, as shown and
described.

DESCRIPTION

FIG. 1 is a top perspective view of the washer;
FIG. 2 is a bottom perspective view of the washer of FIG. 1;
FIG. 3 is a top plan view of the washer of FIG. 1;
FIG. 4 is a bottom plan view of the washer of FIG. 1;
FIG. 5 is a back elevation of the washer of FIG. 1;
FIG. 6 is a front elevation of the washer of FIG. 1;
FIG. 7 is a right-side elevation of the washer of FIG. 1; and,
FIG. 8 is a left-side elevation of the washer of FIG. 1.

1 Claim, 8 Drawing Sheets



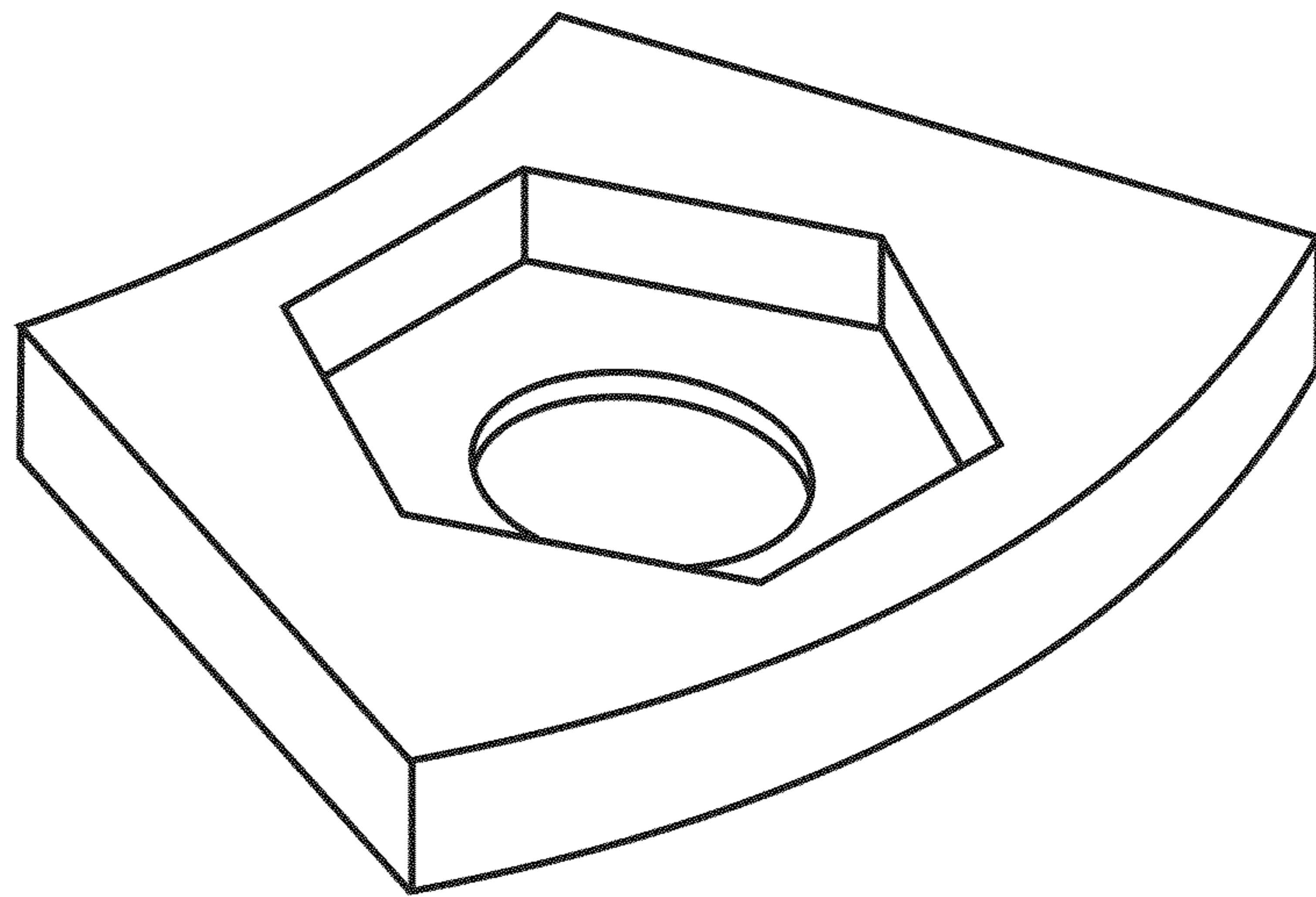


FIGURE 1

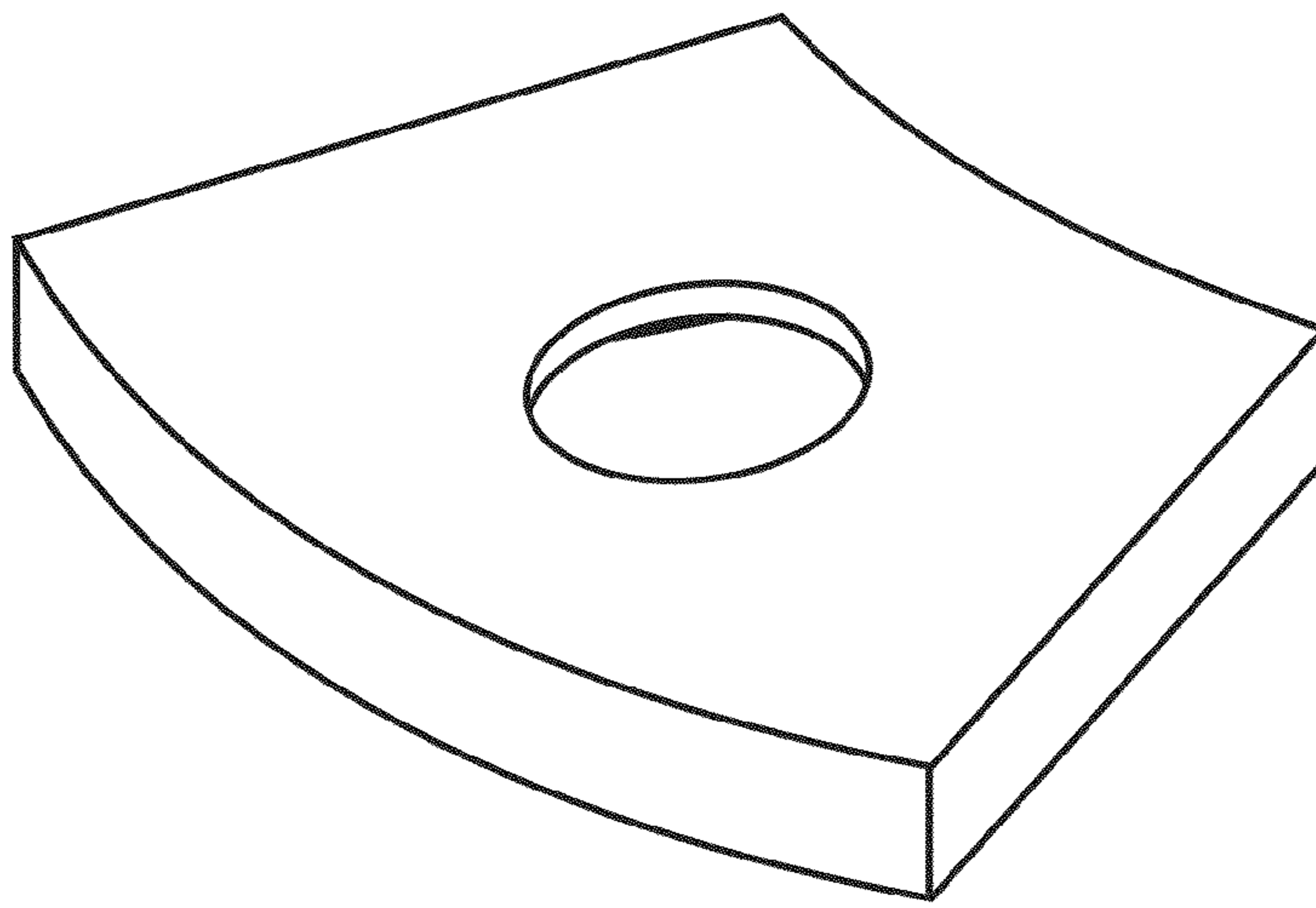


FIGURE 2

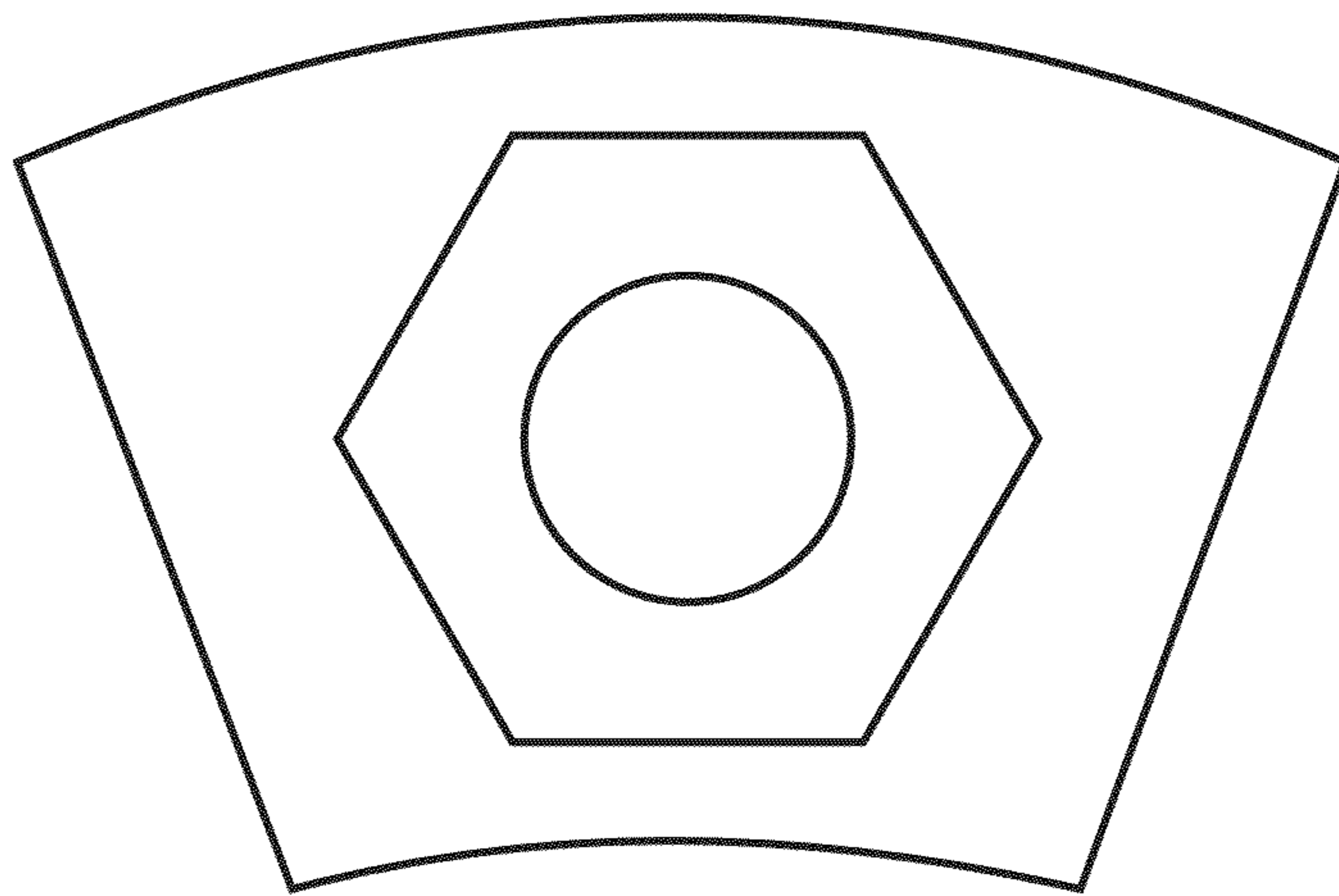


FIGURE 3

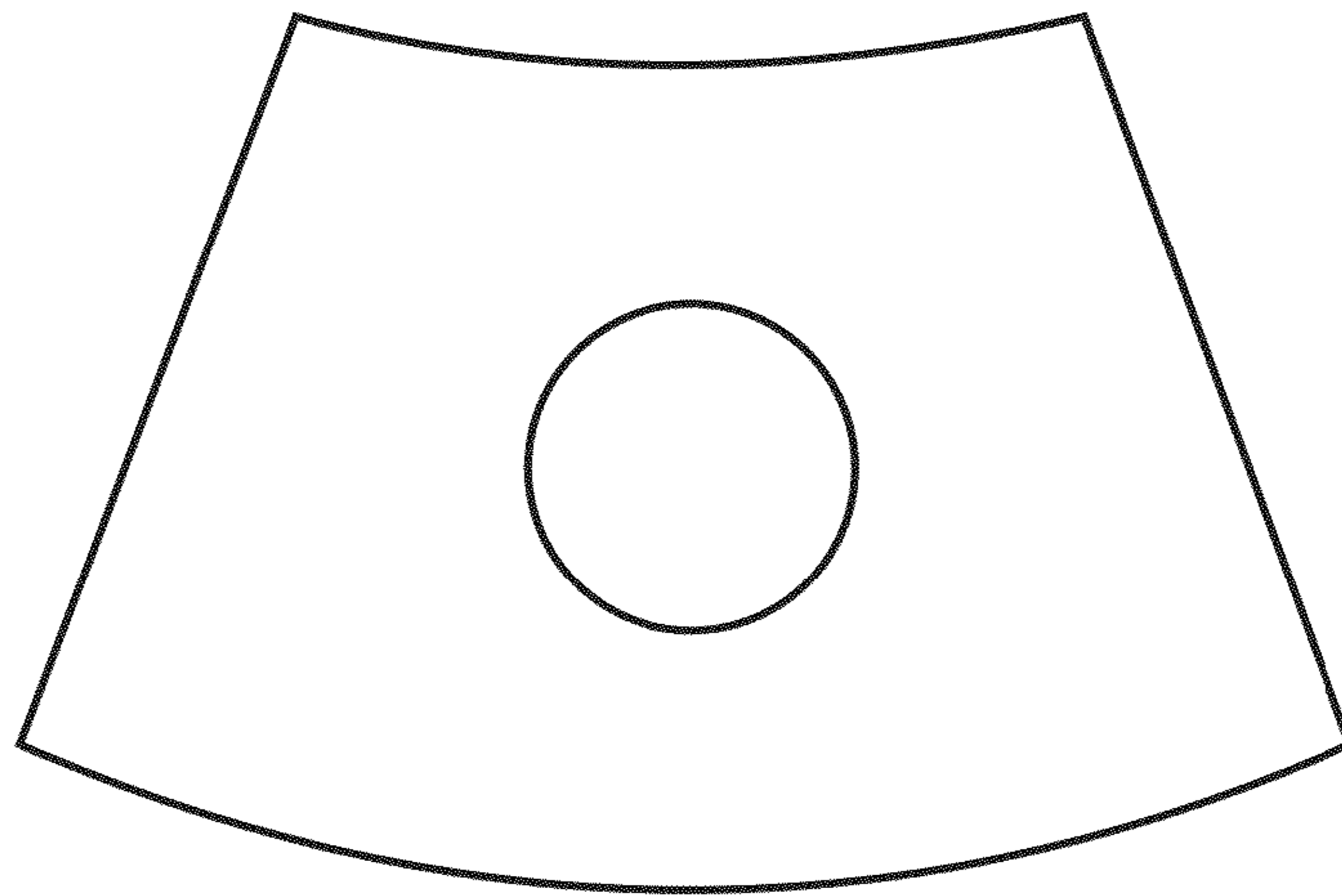


FIGURE 4



FIGURE 5



FIGURE 6



FIGURE 7



FIGURE 8