



US00D691033S

(12) **United States Design Patent**
Allman

(10) **Patent No.:** **US D691,033 S**
(45) **Date of Patent:** **** Oct. 8, 2013**

- (54) **THREADED MALE COLLAR**
- (75) Inventor: **Michael E. Allman**, Montpelier, OH (US)
- (73) Assignee: **Winzeler Stamping Company**, Montpelier, OH (US)
- (**) Term: **14 Years**
- (21) Appl. No.: **29/425,883**
- (22) Filed: **Jun. 28, 2012**
- (51) **LOC (9) Cl.** **08-08**
- (52) **U.S. Cl.**
USPC **D8/397**
- (58) **Field of Classification Search**
USPC D8/399, 382, 349, 397, 394, 70;
411/429, 432, 918, 179, 180; D23/262;
285/321; 403/114, 115, 145, 146; 81/177.7,
81/177.75, 177.85; 29/525.2, 592
See application file for complete search history.

(56) **References Cited**

U.S. PATENT DOCUMENTS

D76,255	S	*	9/1928	Nelson	D8/397
2,370,352	A	*	2/1945	Hosking	411/282
3,425,314	A	*	2/1969	Ohlson	411/7
4,687,392	A	*	8/1987	Bidwell	411/6
4,850,620	A	*	7/1989	Puls	285/148.13
D311,131	S	*	10/1990	Saito	D8/397
4,962,582	A	*	10/1990	Puls	29/527.4
D413,967	S	*	9/1999	Yuen	D23/262
6,206,437	B1		3/2001	Humphreys		
6,308,993	B1		10/2001	Phillips		
6,318,763	B1	*	11/2001	Huang	285/256
D482,761	S	*	11/2003	Gotoh et al.	D23/262
D524,149	S	*	7/2006	Kim	D8/397

7,240,927	B2	*	7/2007	Chang	285/321
D588,893	S	*	3/2009	Radich	D8/70
8,176,817	B2	*	5/2012	Liu	81/177.75
D679,988	S	*	4/2013	Yamazaki	D8/397
2007/0151355	A1	*	7/2007	Marczynski et al.	73/761

* cited by examiner

Primary Examiner — Cynthia Underwood

(74) *Attorney, Agent, or Firm* — Fraser Clemens Martin & Miller LLC; J. Douglas Miller

(57) **CLAIM**

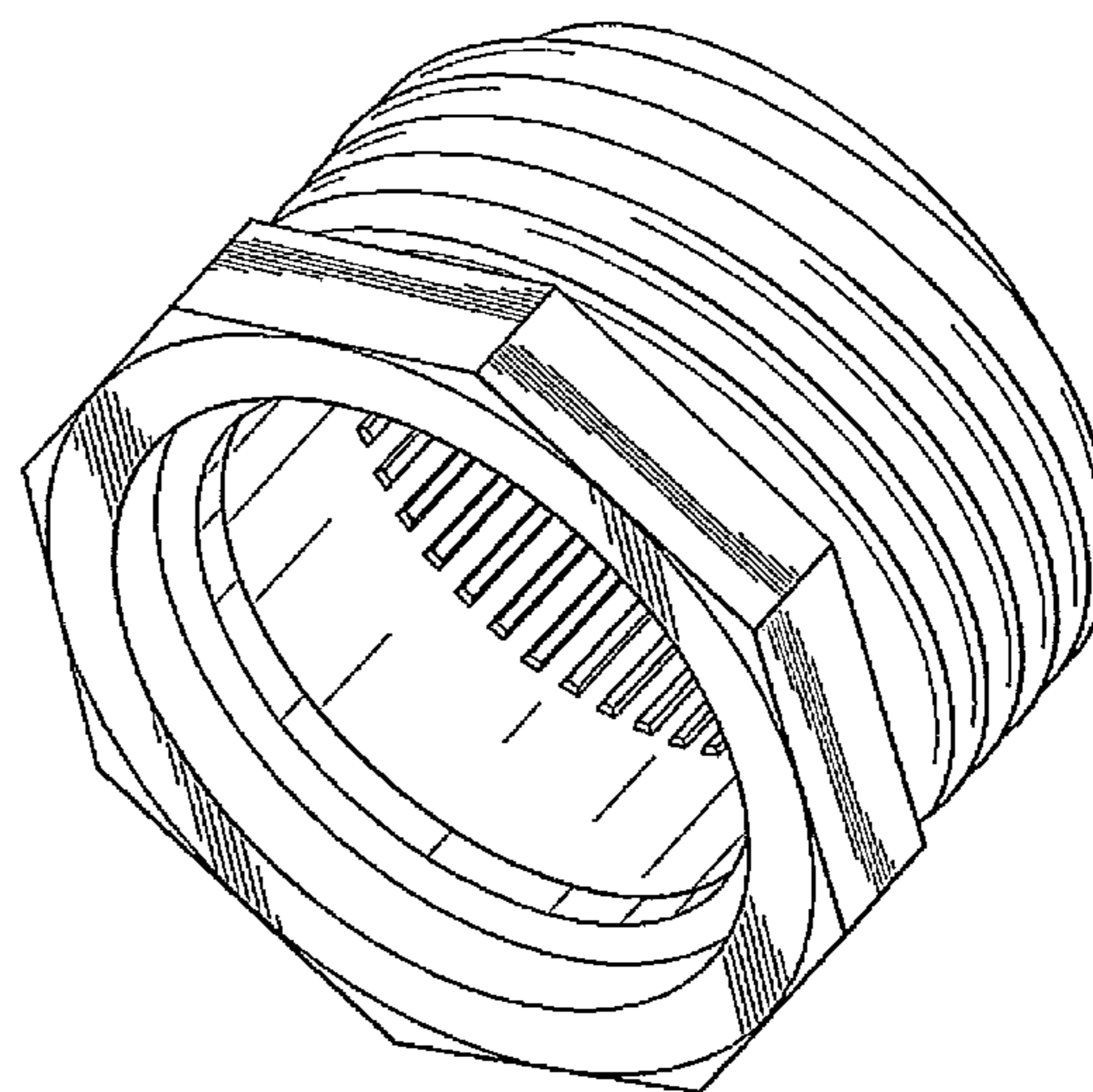
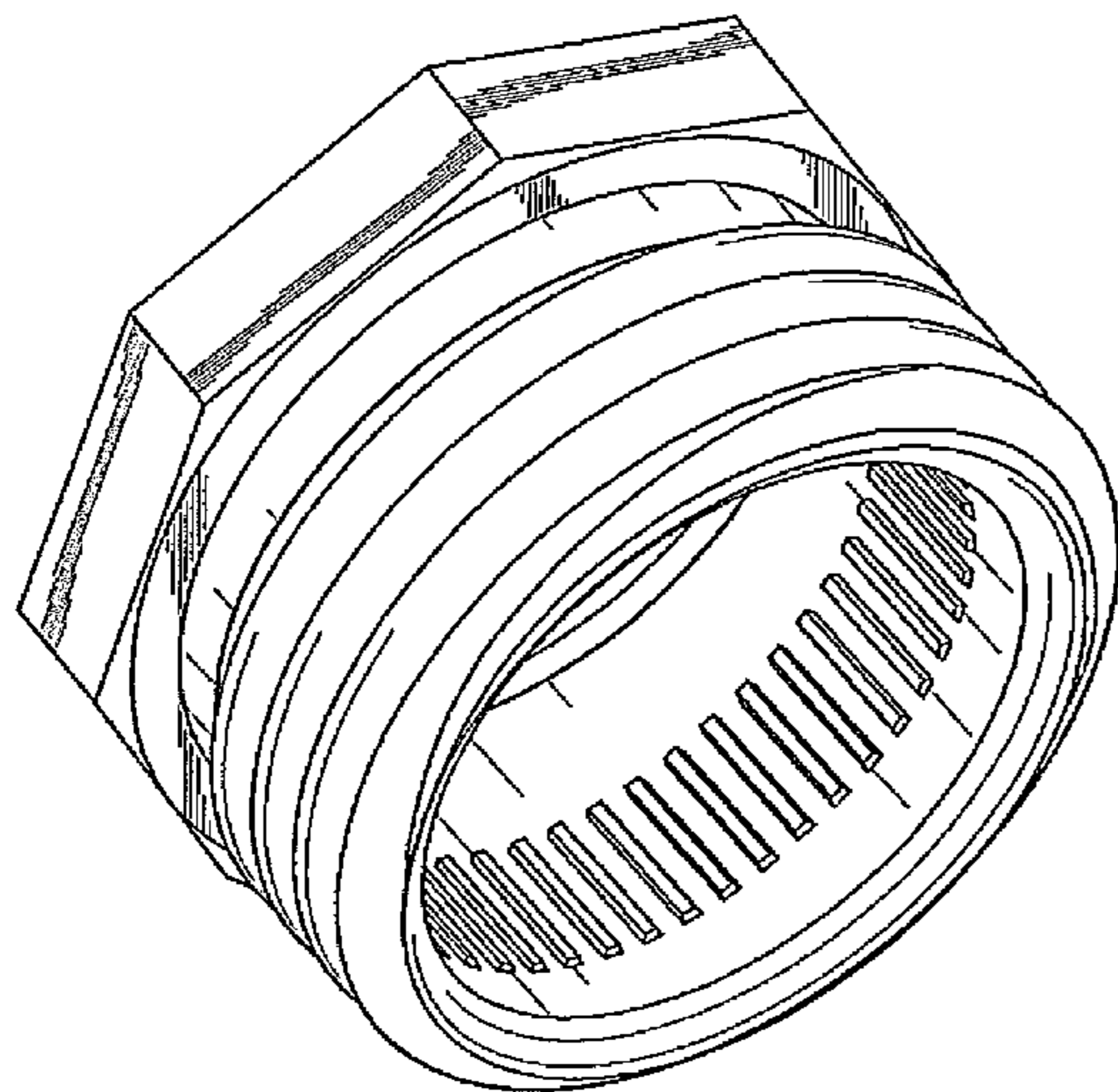
The ornamental design for a threaded male collar, as shown and described.

DESCRIPTION

FIG. 1 is a front perspective view of a threaded male collar incorporating our new design;
 FIG. 2 is a rear perspective view thereof;
 FIG. 3 is a front elevational view thereof;
 FIG. 4 is a rear elevational view thereof;
 FIG. 5 is a left side elevational view thereof;
 FIG. 6 is a right side elevational view thereof;
 FIG. 7 is a top plan view thereof;
 FIG. 8 is a bottom plan view thereof;
 FIG. 9 is a rear perspective view thereof, showing an insert disposed therein in broken lines; and,
 FIG. 10 is a cross-sectional bottom view taken along section line 10-10 in FIG. 3 of the threaded male collar illustrated in FIGS. 1-9, showing the insert disposed therein in broken lines.

The ornamental design which is claimed is shown in solid lines in the drawings. Any broken lines in the drawings are for illustrative purposes only and form no part of the claimed design.

1 Claim, 5 Drawing Sheets



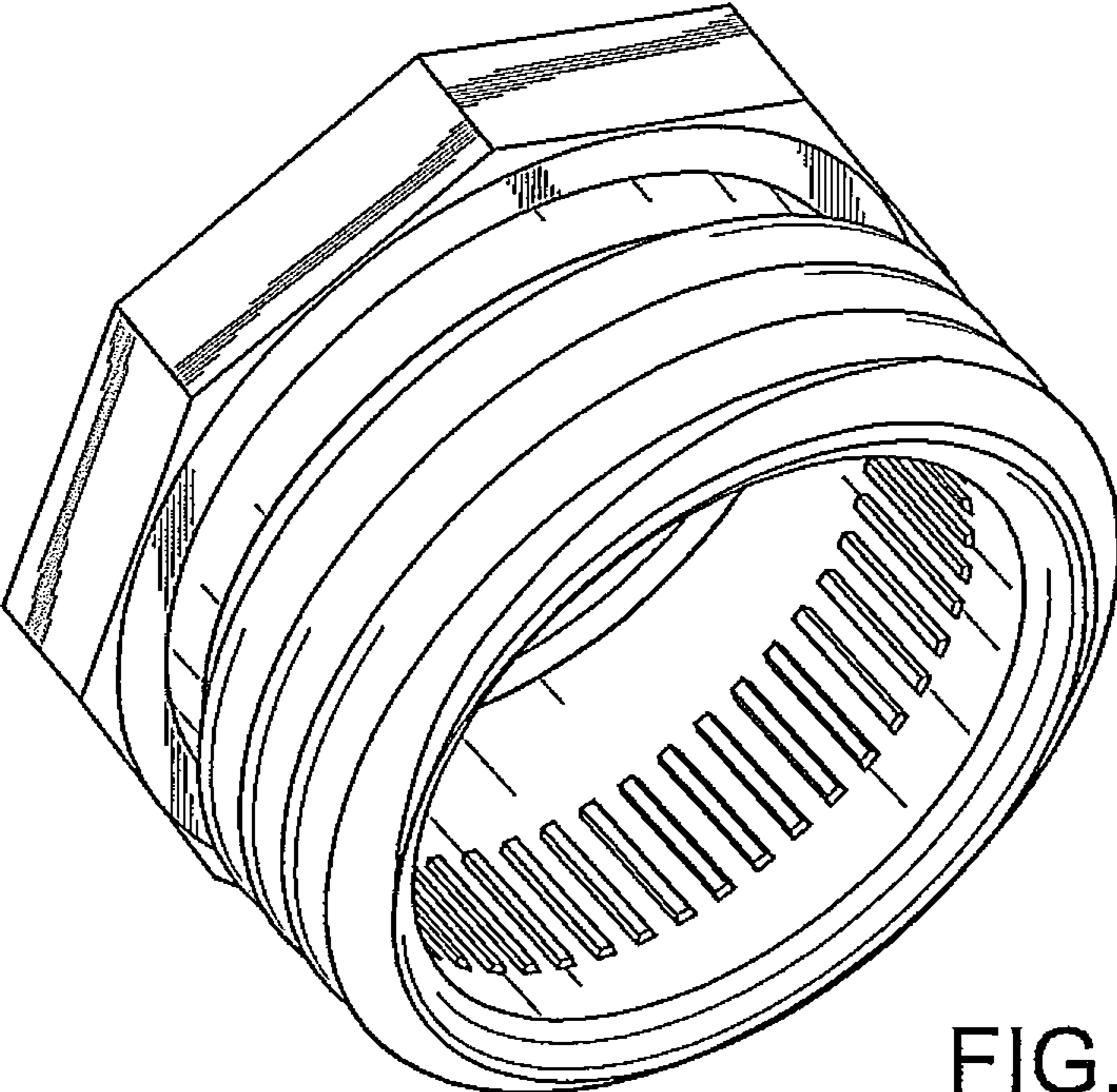


FIG. 1

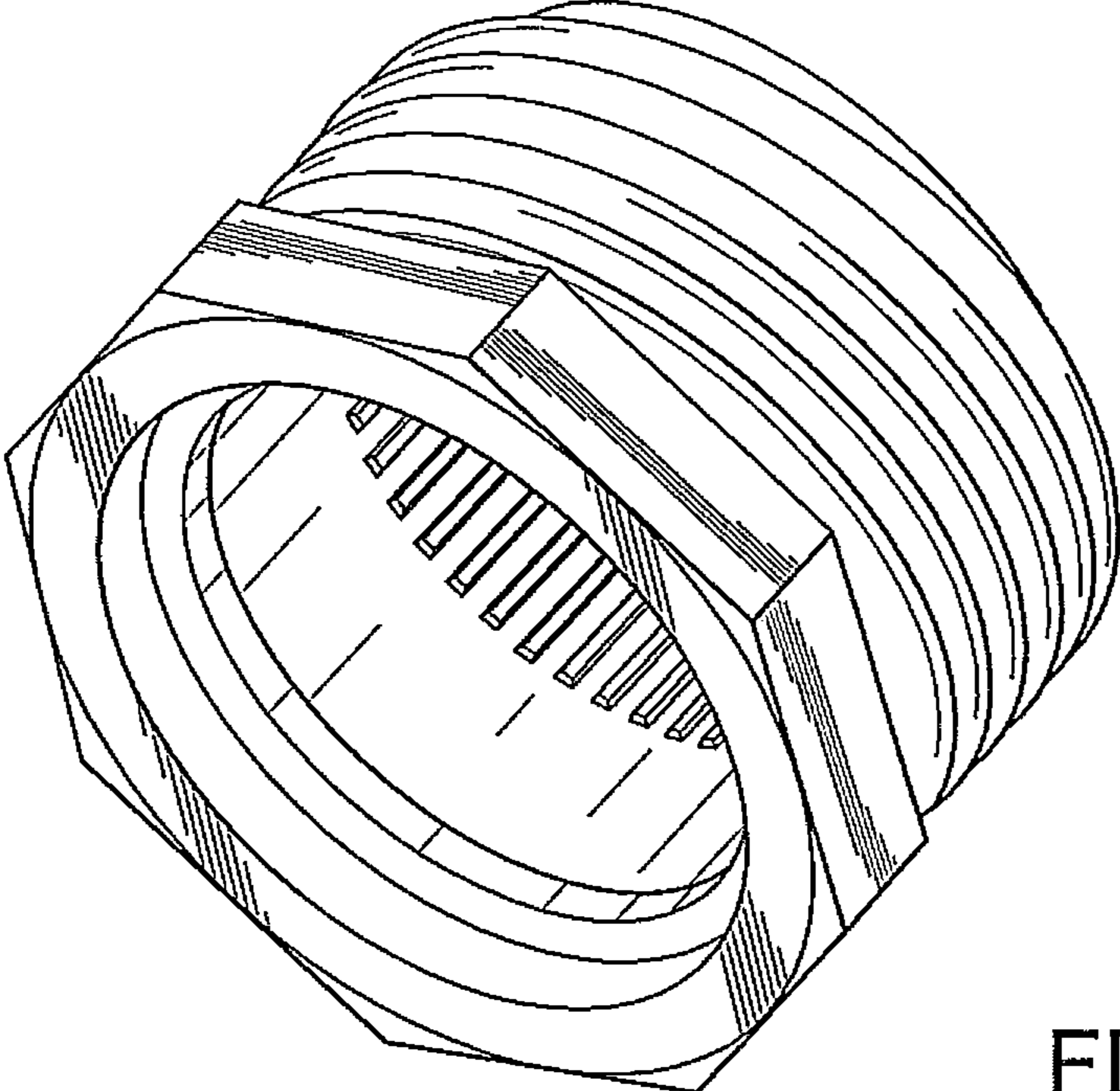
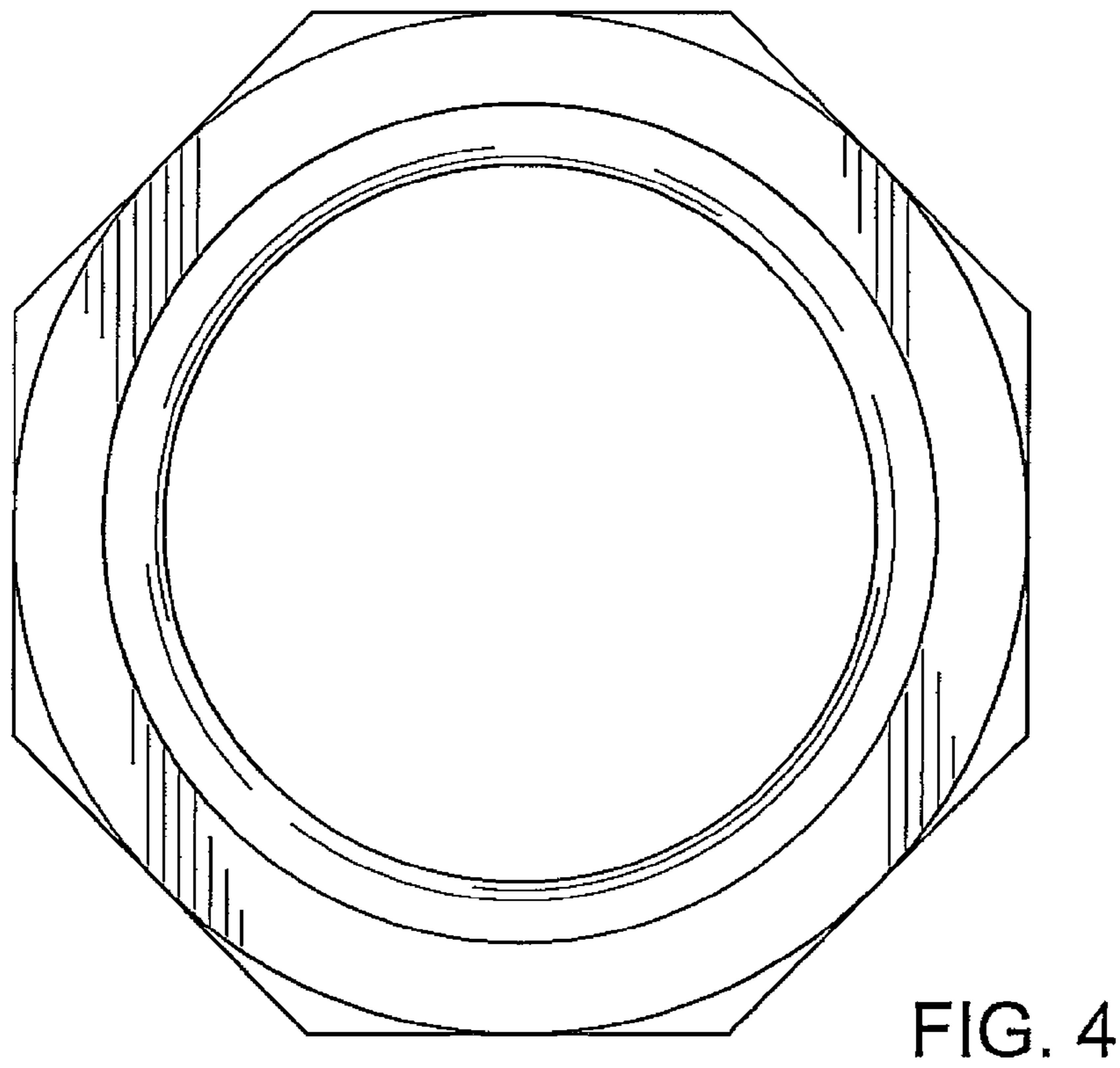
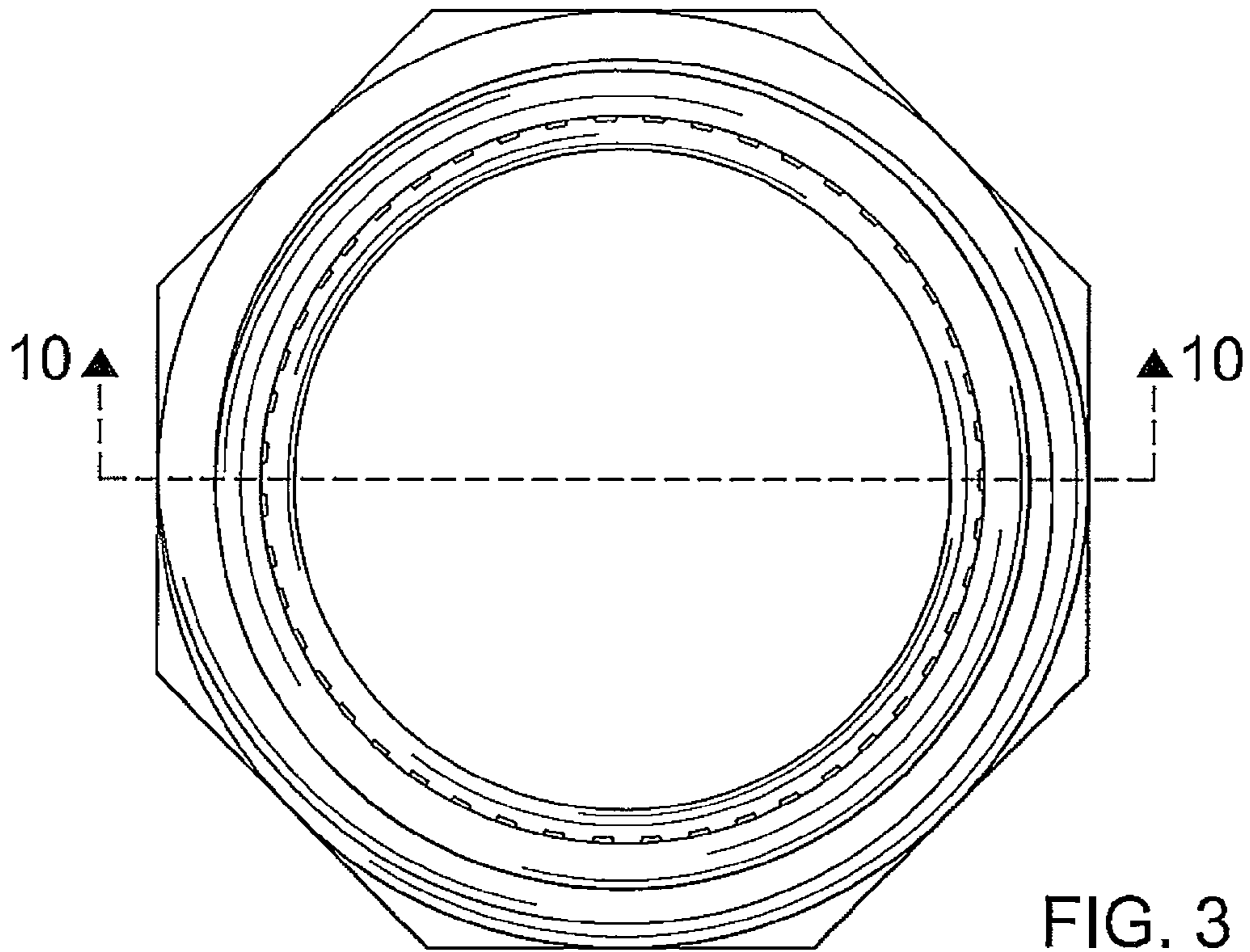


FIG. 2



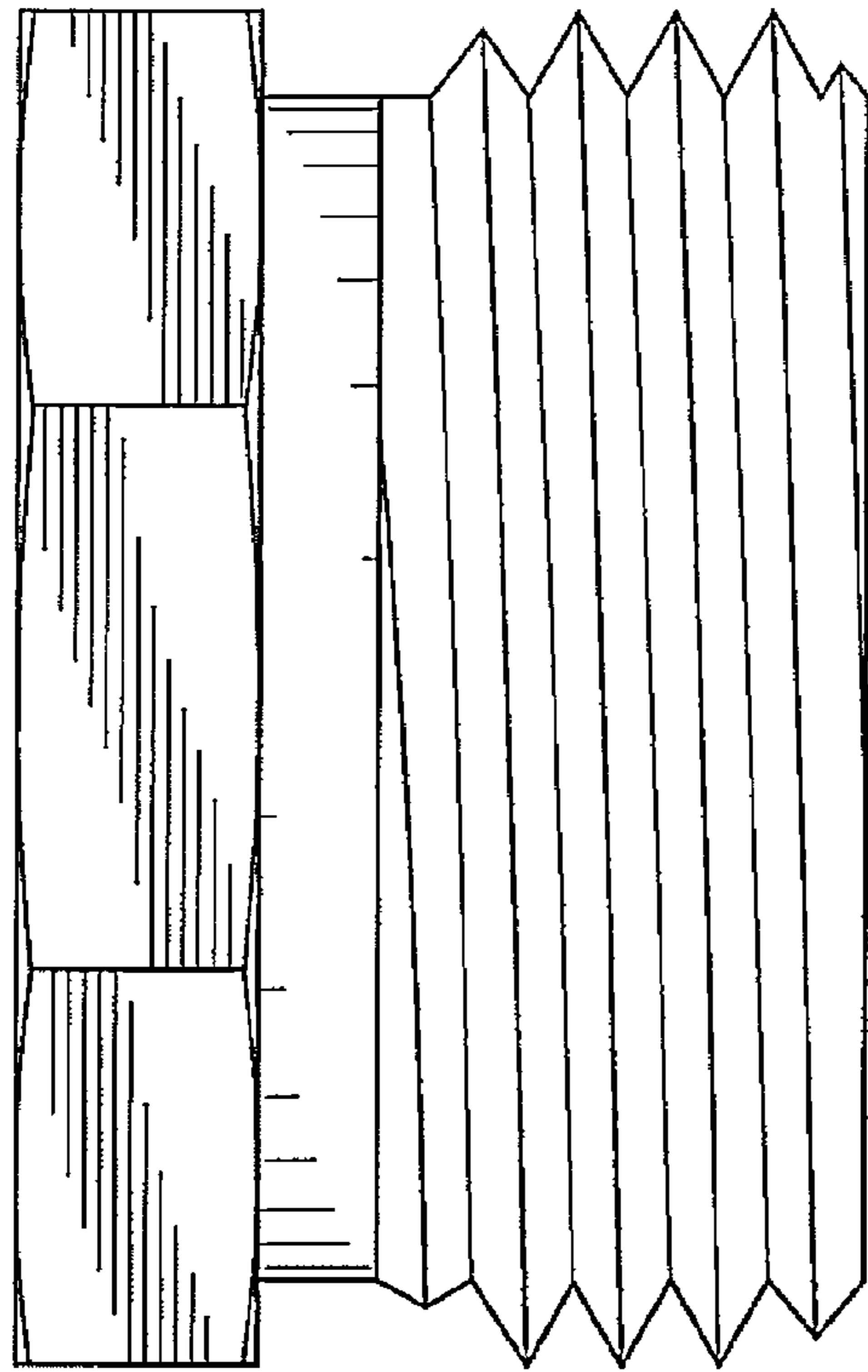


FIG. 5

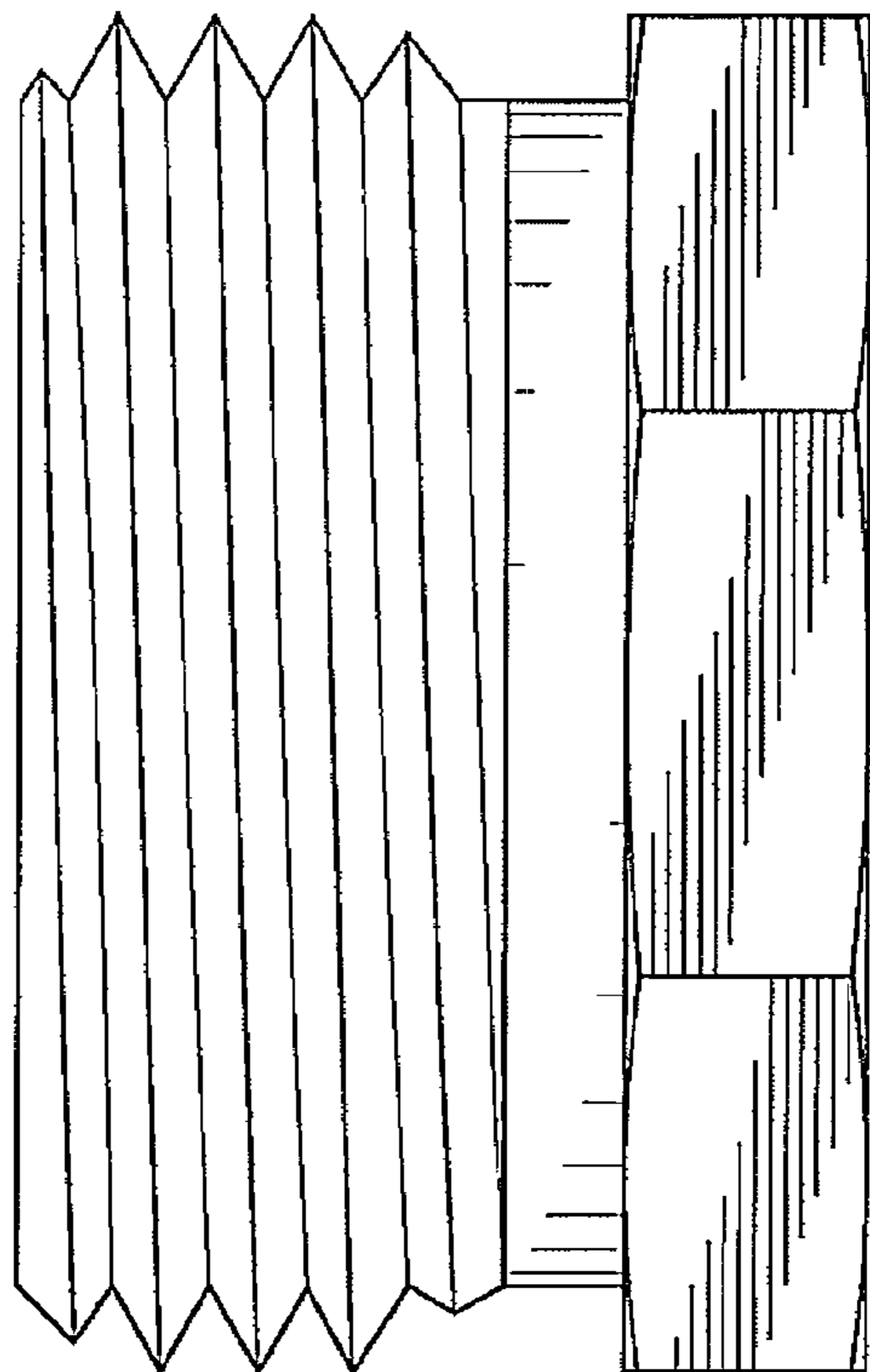


FIG. 6

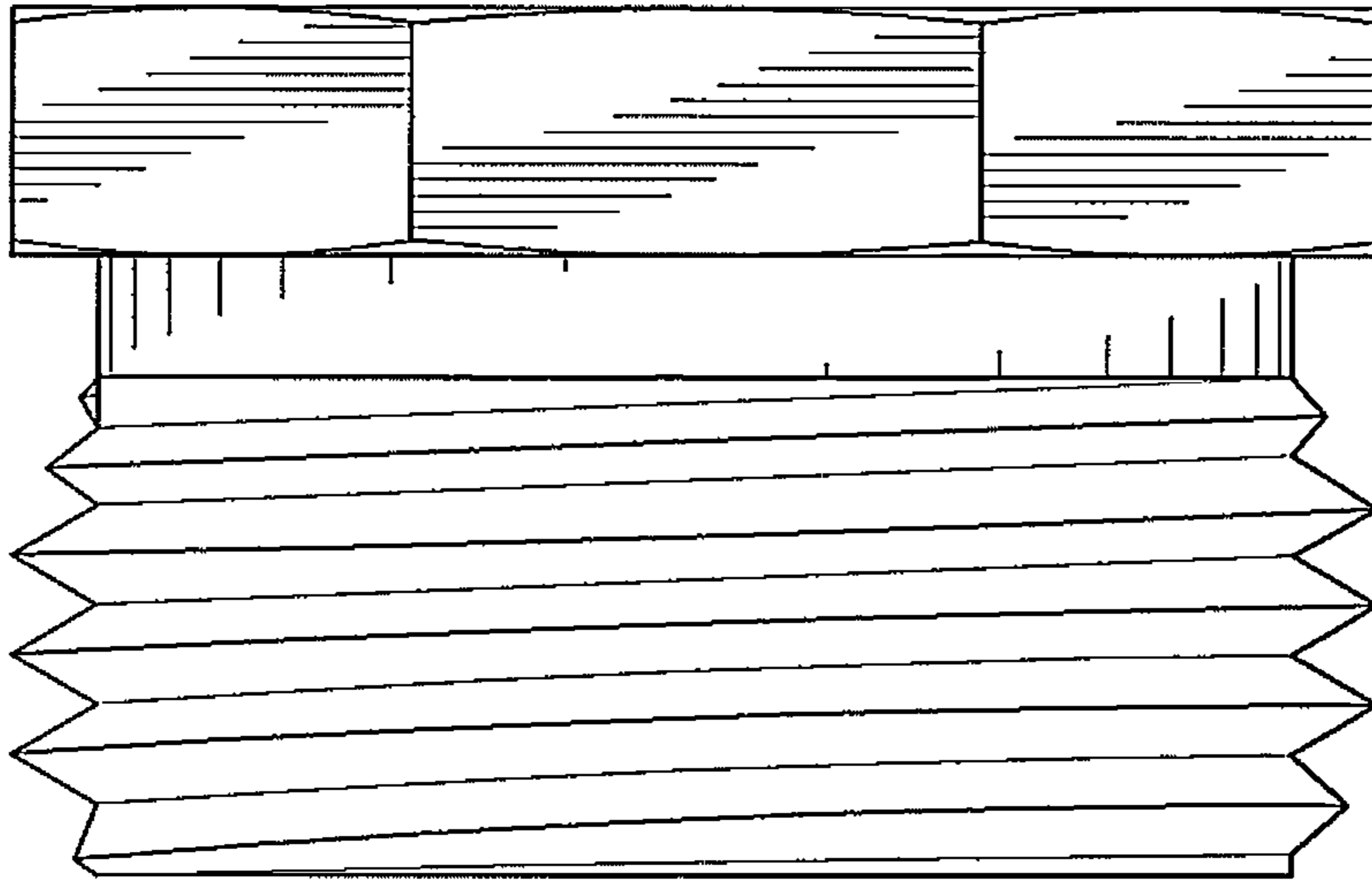


FIG. 7

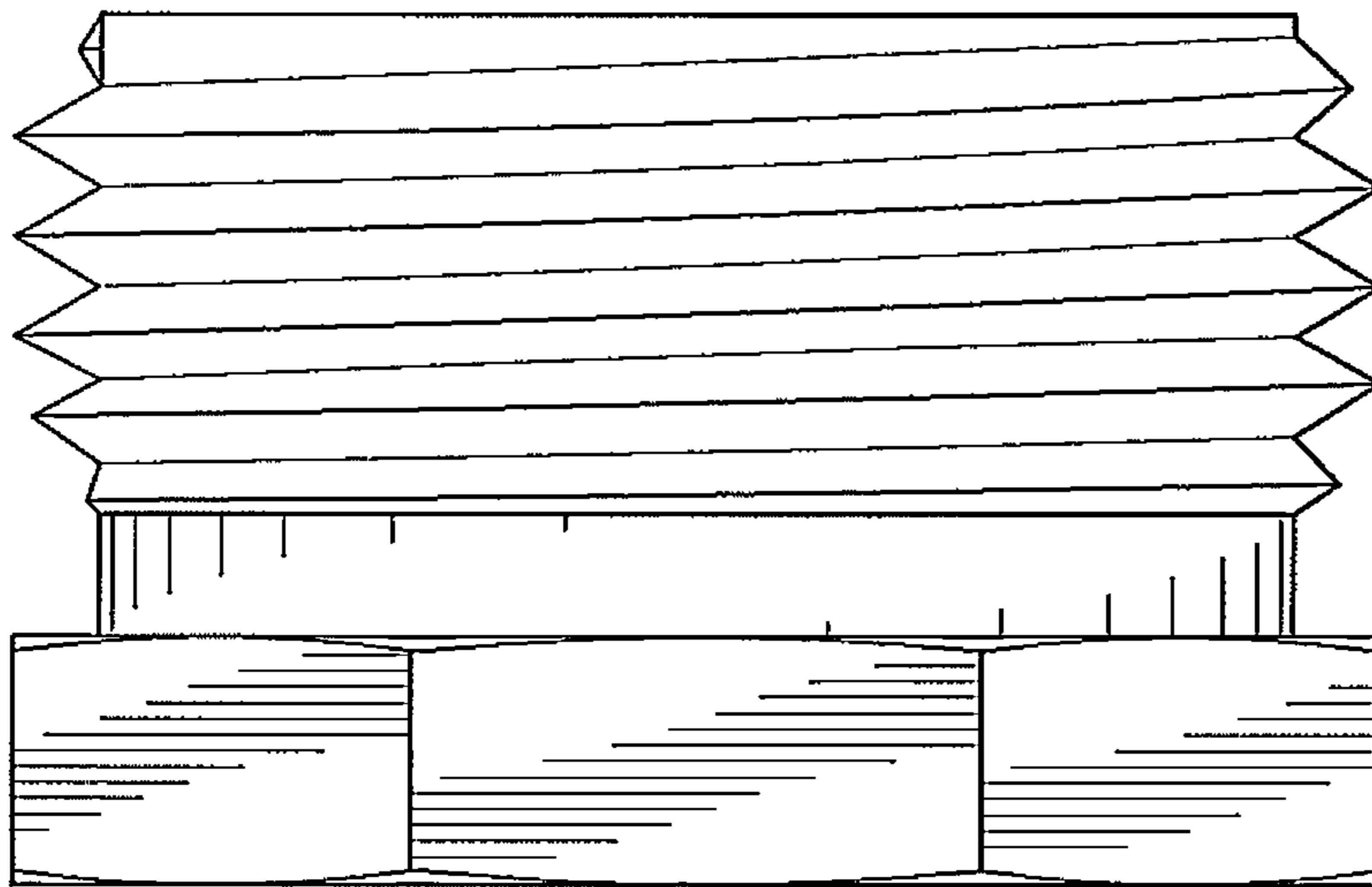


FIG. 8

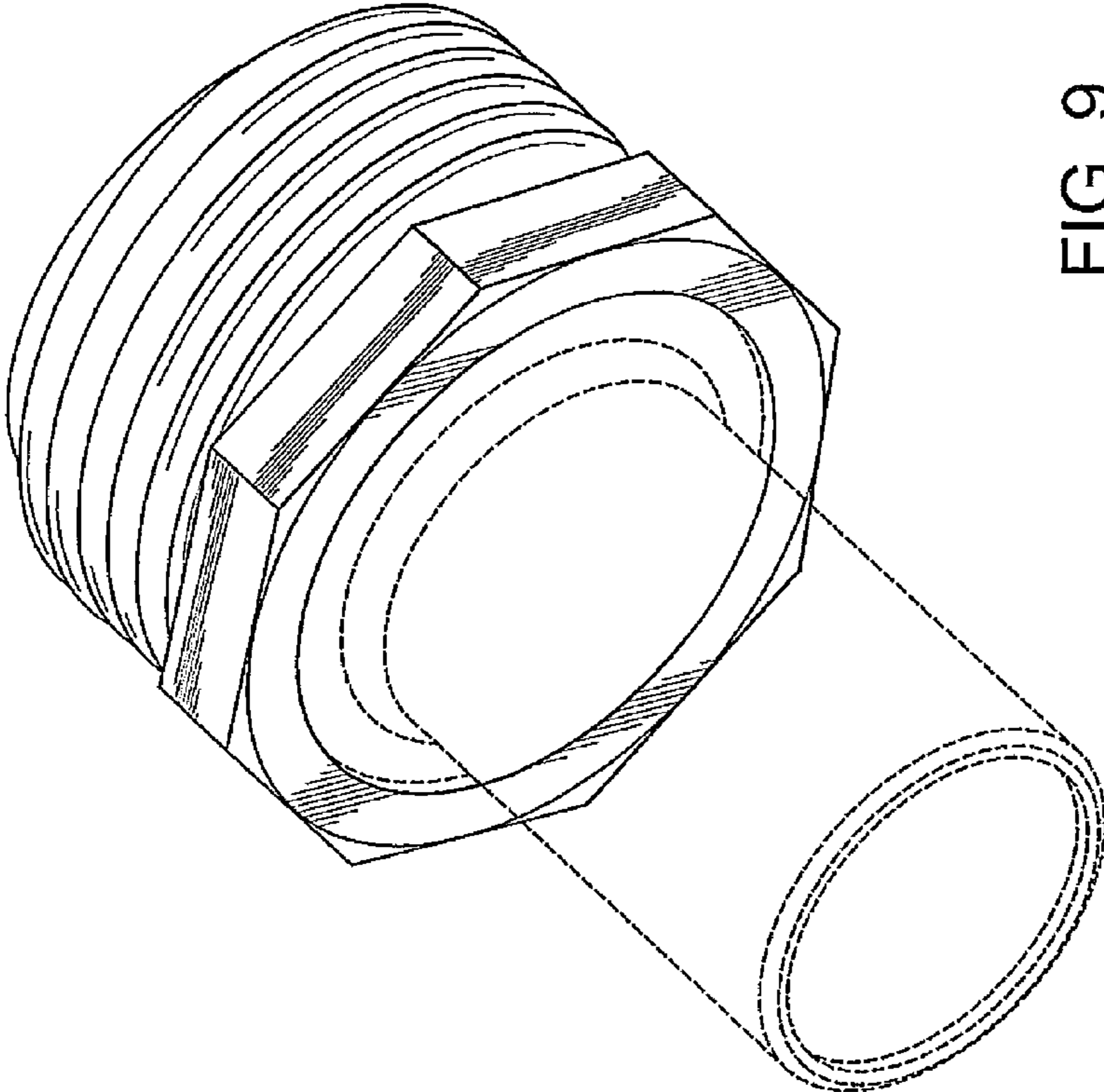


FIG. 9

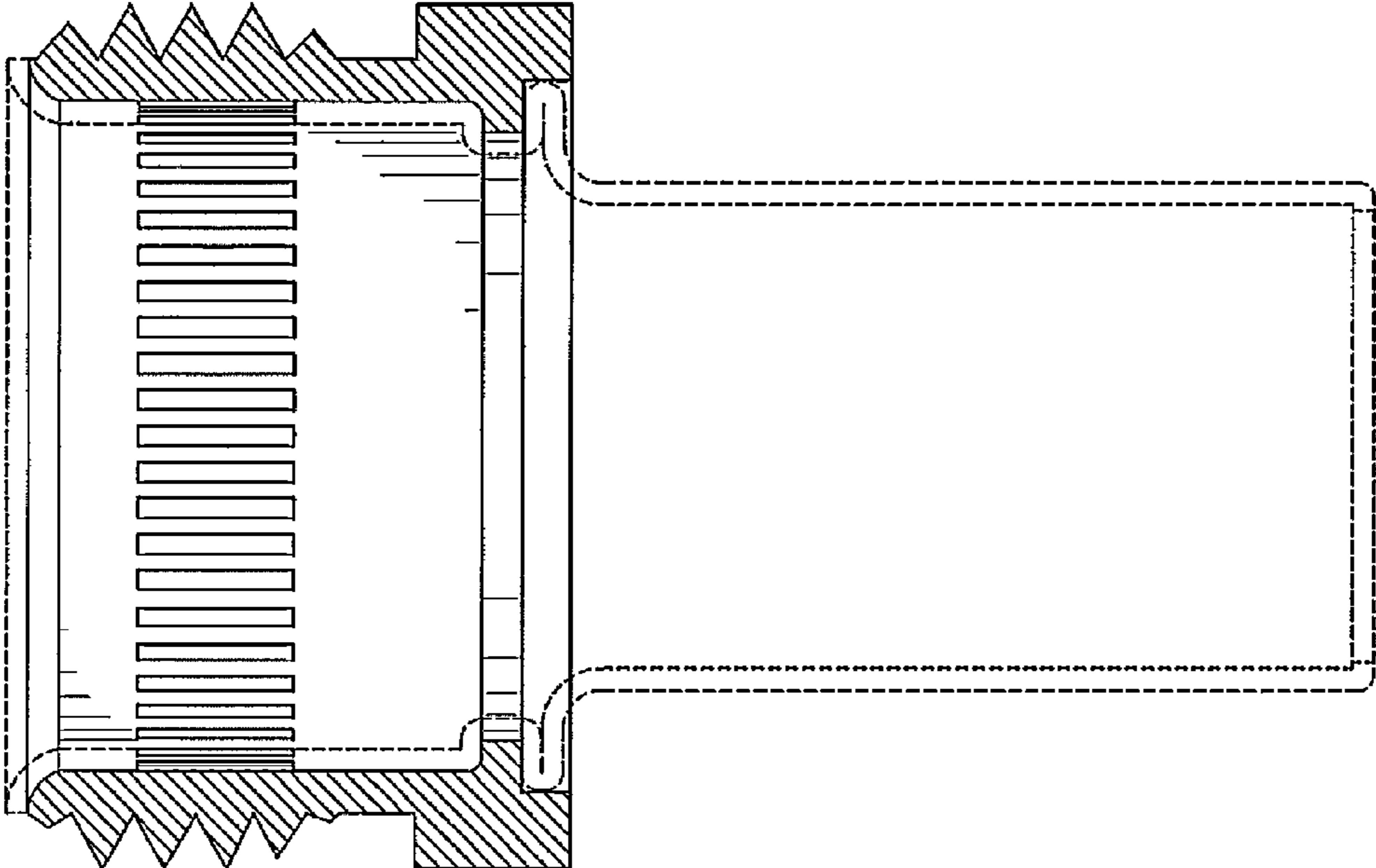


FIG. 10