



US00D691028S

(12) **United States Design Patent**
Malins et al.

(10) **Patent No.:** **US D691,028 S**

(45) **Date of Patent:** **** Oct. 8, 2013**

(54) **LINK**

(75) Inventors: **Craig David Malins**, Hamilton (NZ);
Karen Ruth Tyrrell, Hamilton (NZ)

(73) Assignee: **Gallagher Group Limited**, Hamilton
(NZ)

(**) Term: **14 Years**

(21) Appl. No.: **29/403,067**

(22) Filed: **Sep. 30, 2011**

(30) **Foreign Application Priority Data**

Apr. 1, 2011 (NZ) 414761

(51) **LOC (9) Cl.** **08-05**

(52) **U.S. Cl.**
USPC **D8/366**

(58) **Field of Classification Search**
USPC D8/382, 380, 381, 373, 366, 349;
D25/38.1; 256/47, 10; 403/219

See application file for complete search history.

(56) **References Cited**

U.S. PATENT DOCUMENTS

D32,493	S	*	4/1900	Hartshorn	D8/366
D34,082	S	*	2/1901	Beck	D8/366
D45,903	S	*	6/1914	Dennis	D8/366
1,380,518	A	*	6/1921	Bellig	403/219
D285,045	S	*	8/1986	Mahoney	D8/366
D595,114	S	*	6/2009	Hamilton et al.	D8/349
D663,190	S	*	7/2012	Mota et al.	D8/349

FOREIGN PATENT DOCUMENTS

WO WO 2011/040826 A1 4/2011

* cited by examiner

Primary Examiner — Susan Bennett Hattan

(74) *Attorney, Agent, or Firm* — Greer, Burns & Crain, Ltd.

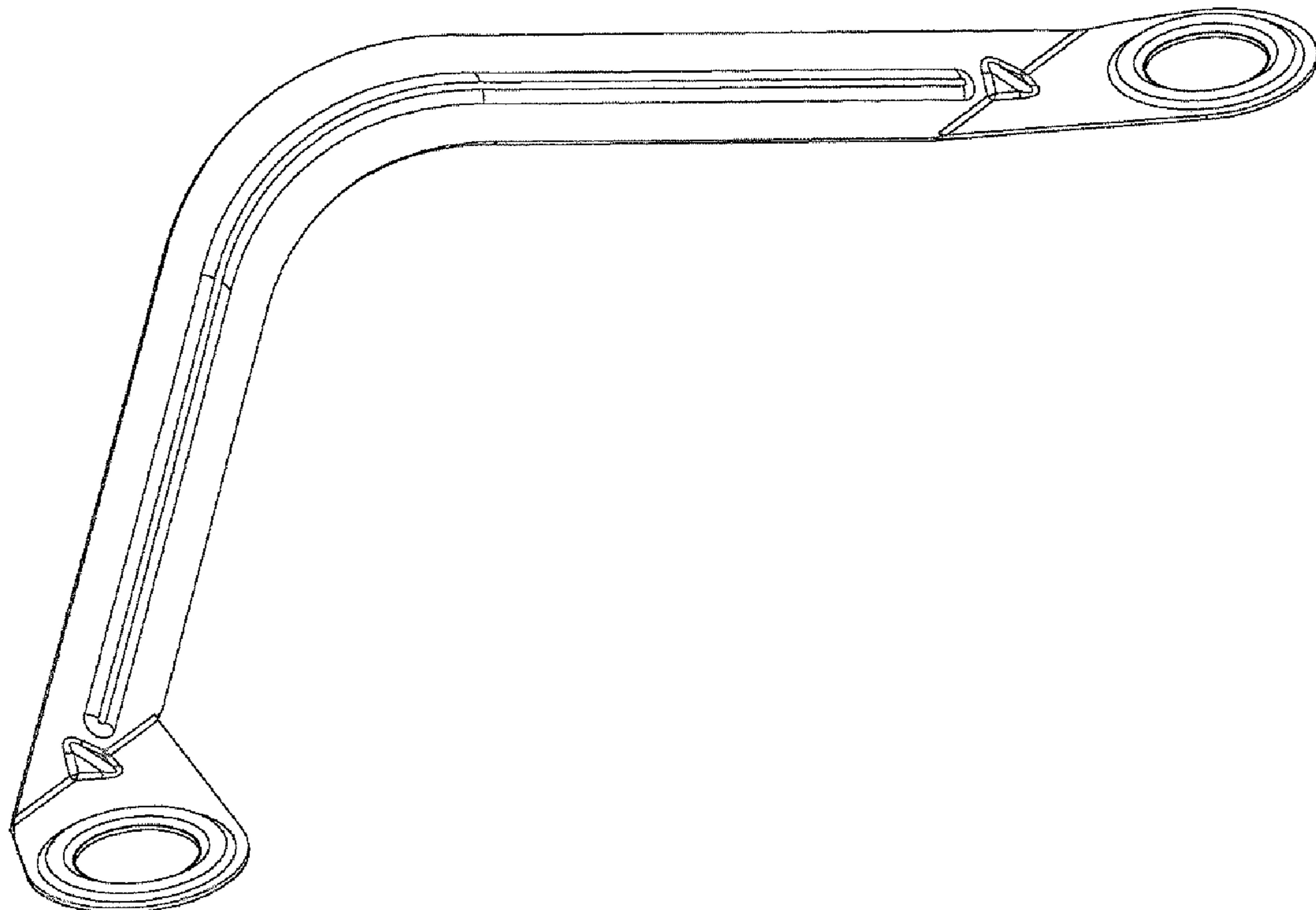
(57) **CLAIM**

The ornamental design for a link, as shown and described.

DESCRIPTION

FIG. 1 is a top perspective view of the present link;
FIG. 2 is a front view of the link of FIG. 1;
FIG. 3 is a rear view of same;
FIG. 4 is a top view of same;
FIG. 5 is a bottom view of the present link; and,
FIG. 6 is a side view of the link of FIG. 1, the sides being
mirror images of each other.

1 Claim, 6 Drawing Sheets



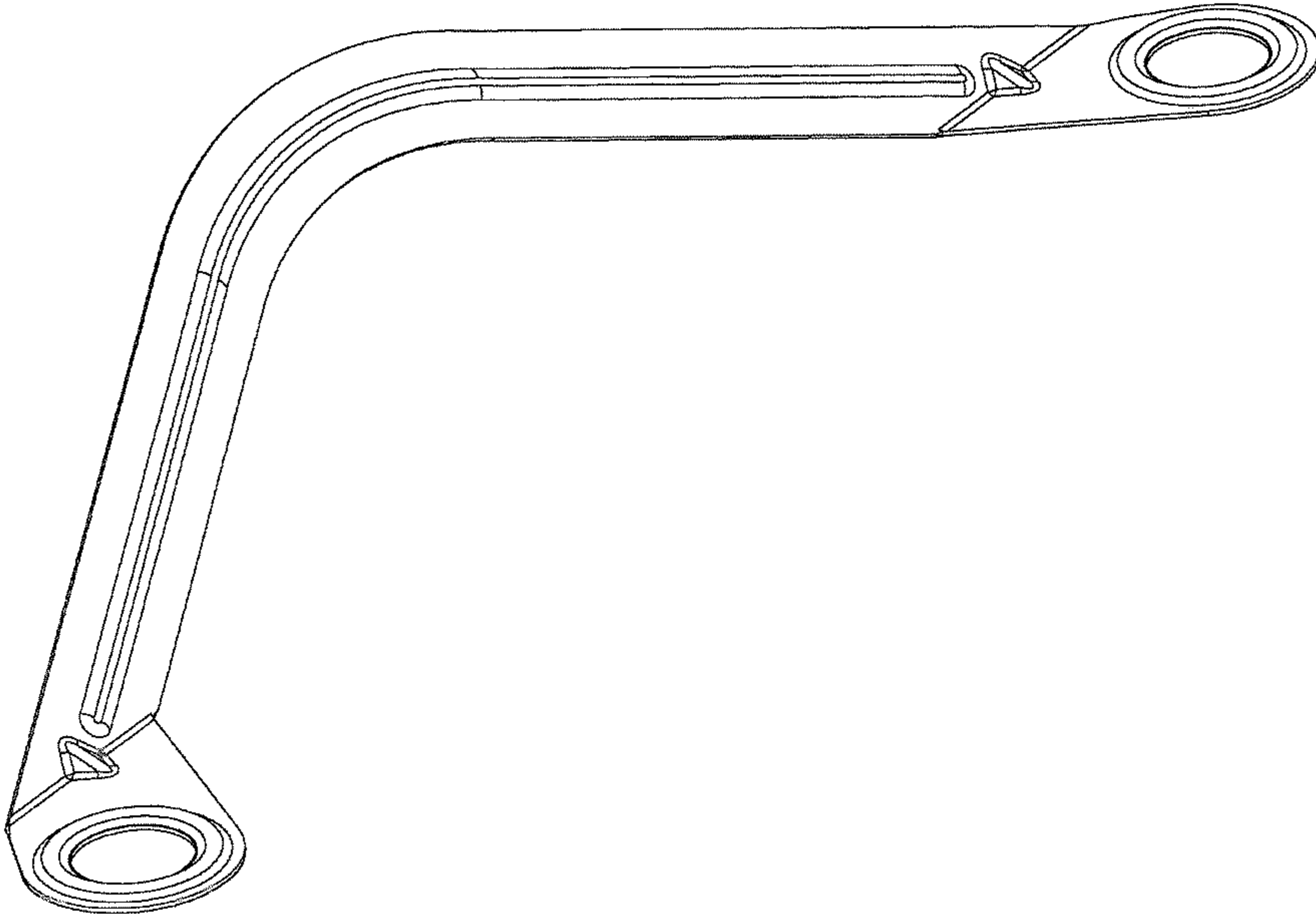


FIG.1

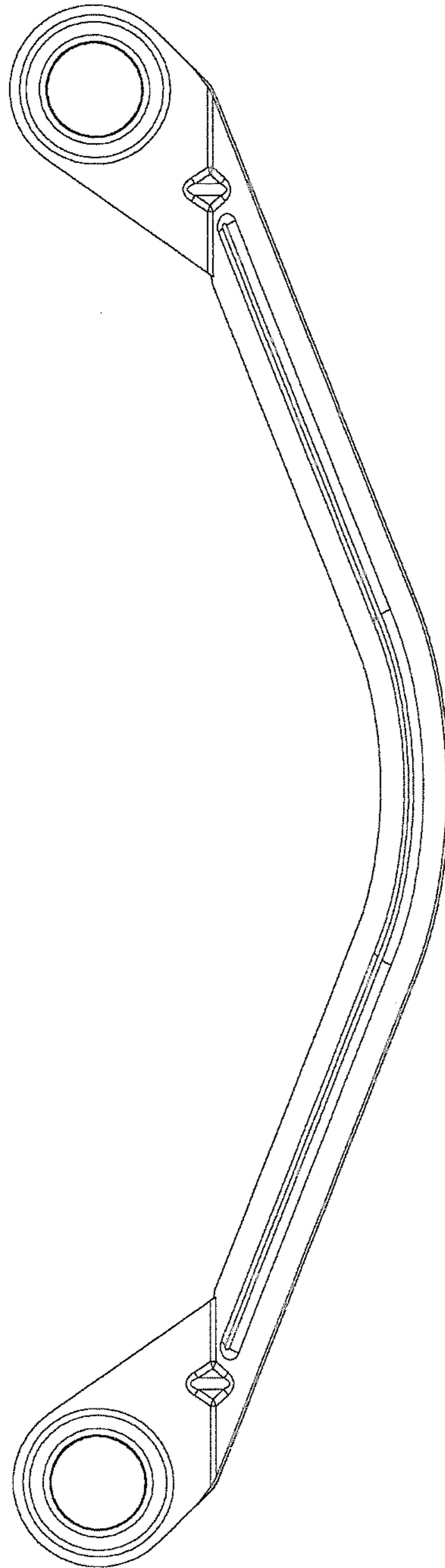


FIG.2

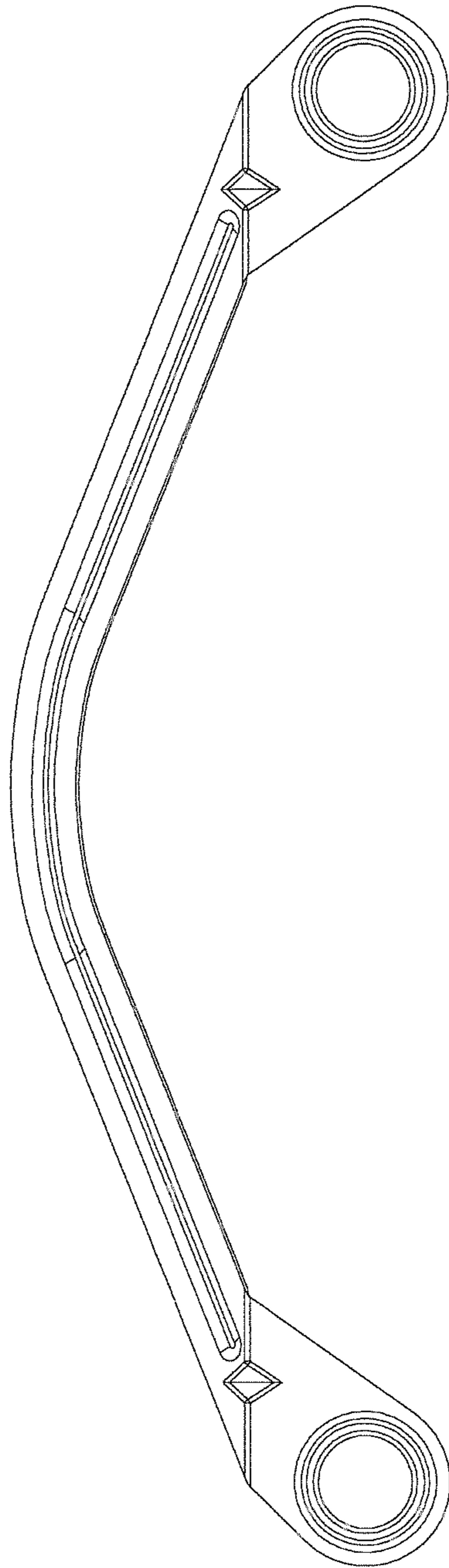


FIG.3

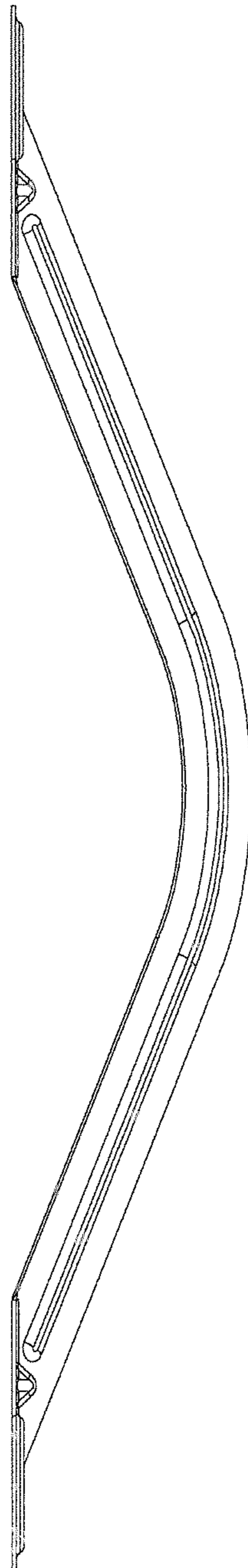


FIG.4

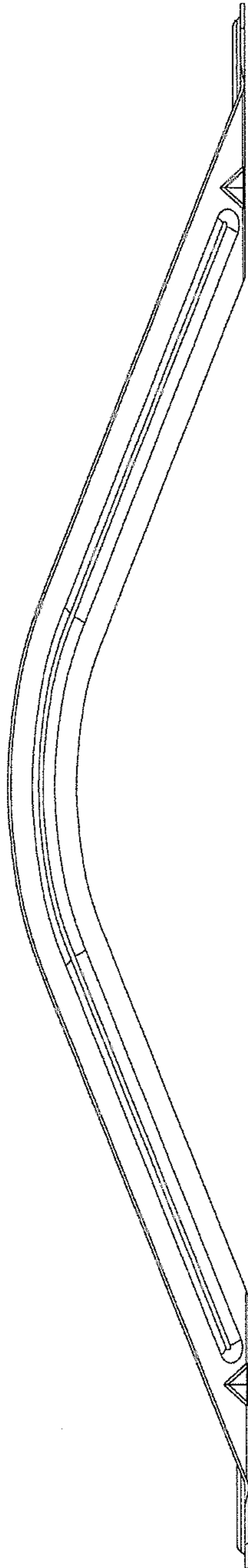


FIG.5

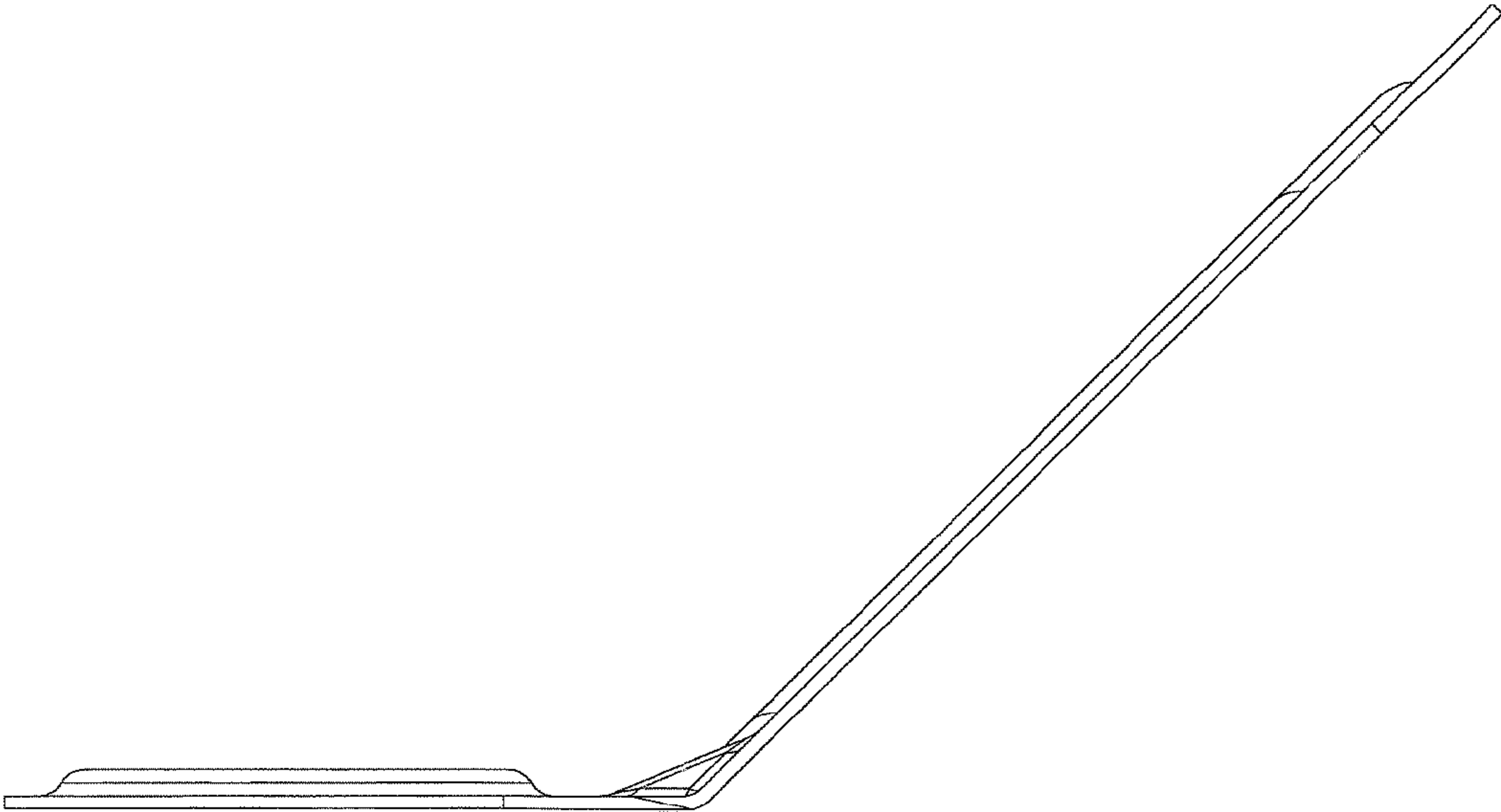


FIG. 6