



US00D691027S

(12) **United States Design Patent**  
**Rainer**

(10) **Patent No.:** **US D691,027 S**

(45) **Date of Patent:** **\*\* \*Oct. 8, 2013**

(54) **HOOK**

(71) Applicant: **Heinz Rainer**, Cologne (DE)

(72) Inventor: **Heinz Rainer**, Cologne (DE)

(73) Assignee: **RAINER GmbH**, Cologne (DE)

(\*) Notice: This patent is subject to a terminal disclaimer.

(\*\*) Term: **14 Years**

(21) Appl. No.: **29/434,045**

(22) Filed: **Oct. 9, 2012**

(30) **Foreign Application Priority Data**

Jul. 25, 2012 (EP) ..... 001336705-0001

(51) **LOC (9) Cl.** ..... **08-05**

(52) **U.S. Cl.**  
USPC ..... **D8/356**

(58) **Field of Classification Search**  
USPC ..... D8/356, 367, 354, 349, 394, 373;  
D24/128; D25/99; 24/455; 248/62, 63,  
248/65, 74.1, 74.2, 75, 313, 316.1, 229.26;  
D11/218

See application file for complete search history.

(56) **References Cited**

**U.S. PATENT DOCUMENTS**

D340,008 S \* 10/1993 Anscher ..... D11/218  
D360,571 S \* 7/1995 Perry ..... D8/354  
D417,807 S \* 12/1999 McBarnette ..... D6/513  
D421,578 S \* 3/2000 Anscher ..... D11/218  
D443,566 S \* 6/2001 Peterson ..... D12/162

D467,838 S \* 12/2002 Yoshiguchi ..... D11/218  
D483,294 S \* 12/2003 Uehara ..... D11/218  
D494,452 S \* 8/2004 Sheldon et al. .... D8/367  
D508,218 S \* 8/2005 Yoshiguchi ..... D11/218  
D510,297 S \* 10/2005 Funo et al. .... D11/218  
D511,088 S \* 11/2005 Chiu ..... D8/367  
D520,908 S \* 5/2006 Haymond ..... D11/218  
D563,270 S \* 3/2008 Zeng ..... D11/218  
D564,409 S \* 3/2008 Pontaoe ..... D11/218  
D576,077 S \* 9/2008 Yoshiguchi ..... D11/218  
7,552,515 B2 \* 6/2009 Funo ..... 24/200  
D603,688 S \* 11/2009 Chiu ..... D8/367  
D619,497 S \* 7/2010 Paik ..... D11/218  
D619,498 S \* 7/2010 Paik ..... D11/218  
7,793,390 B2 \* 9/2010 Mills et al. .... 24/129 R  
D668,580 S \* 10/2012 Kax ..... D11/218  
D673,443 S \* 1/2013 Elrod ..... D8/356  
D674,681 S \* 1/2013 Gorman ..... D8/367  
D676,310 S \* 2/2013 Lowrance ..... D8/356  
2007/0193006 A1 \* 8/2007 Kitano et al. .... 24/323

\* cited by examiner

*Primary Examiner* — Cynthia Underwood

(74) *Attorney, Agent, or Firm* — Andrew Wilford

(57) **CLAIM**

The ornamental design for a hook, as shown and described.

**DESCRIPTION**

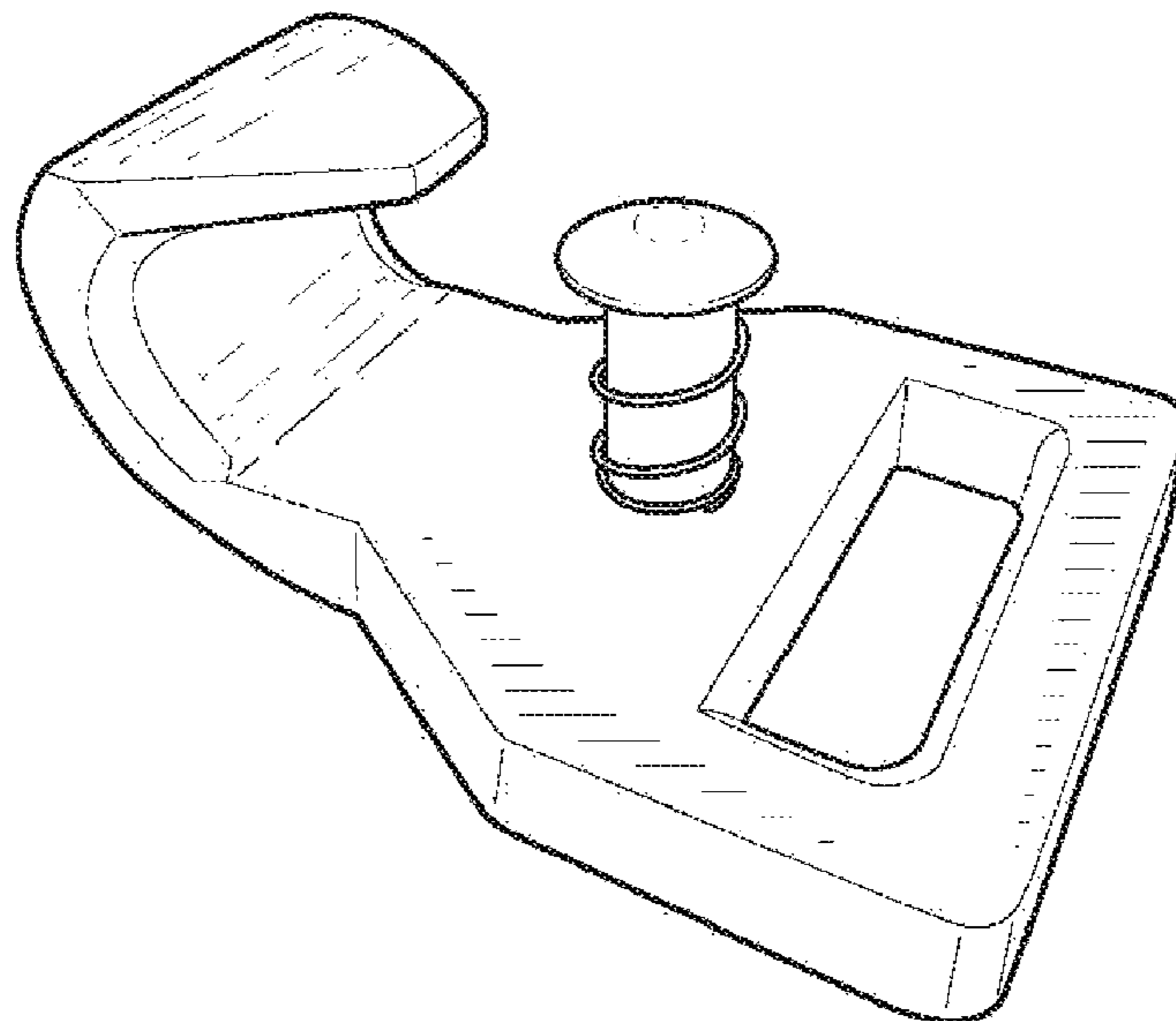
FIG. 1 is a right perspective view of the hook constituting the invention;

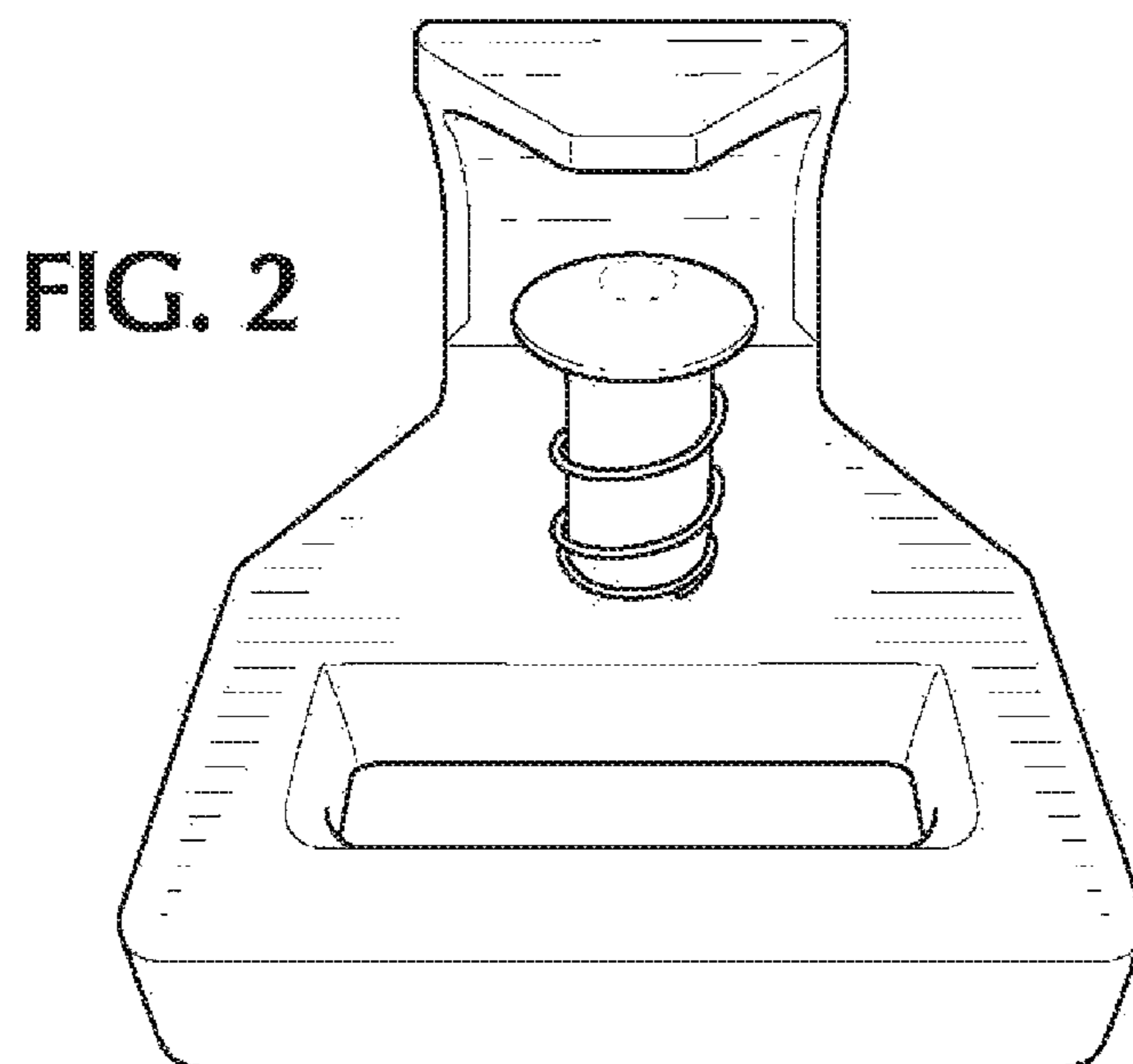
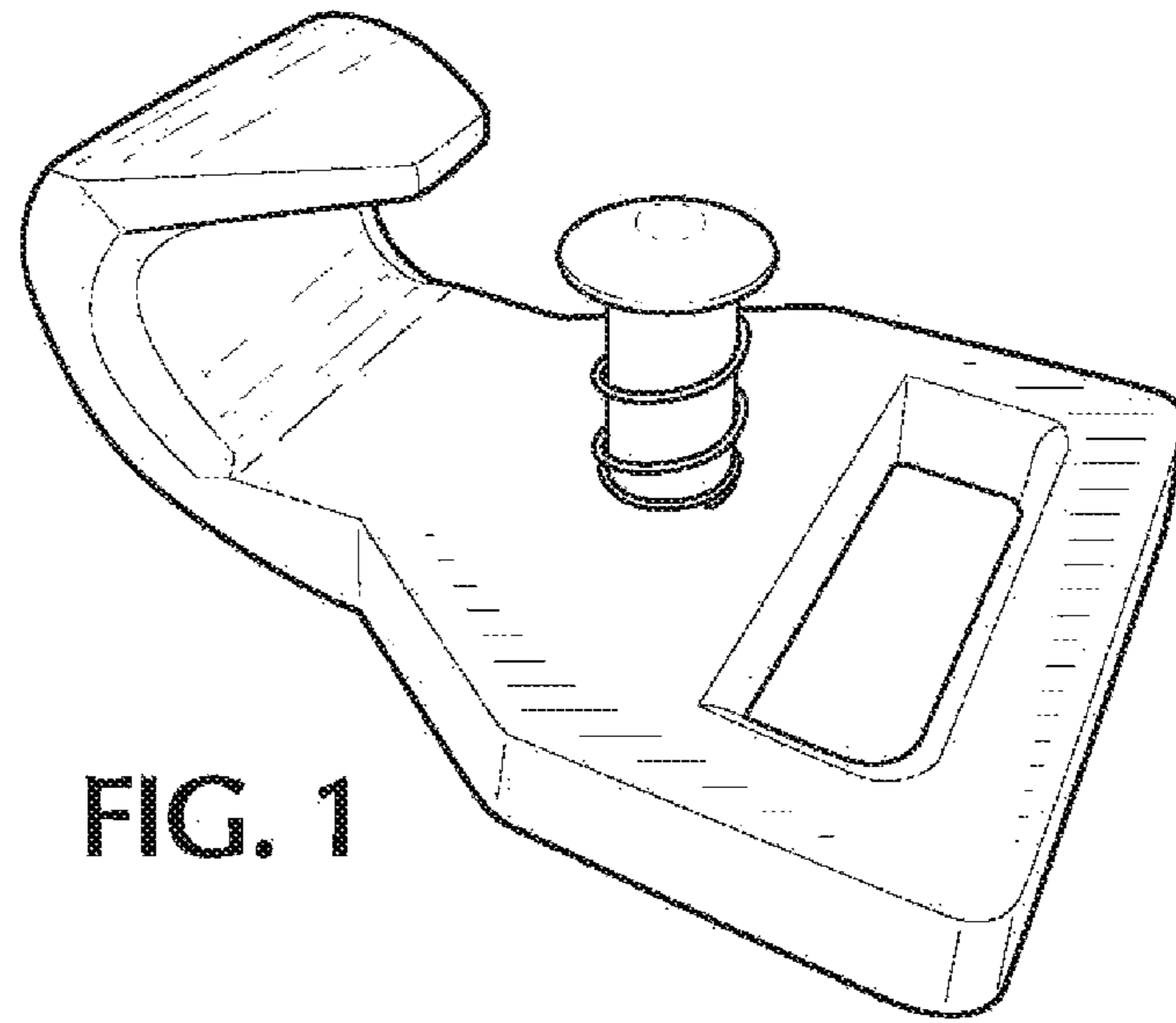
FIG. 2 is another perspective view of the invention from above;

FIG. 3 is a perspective view of the back of the invention; and, FIG. 4 is a right-side perspective view of the invention, the left side being identical.

The broken lines are included for illustrative purposes only and form no part of the claim.

**1 Claim, 2 Drawing Sheets**





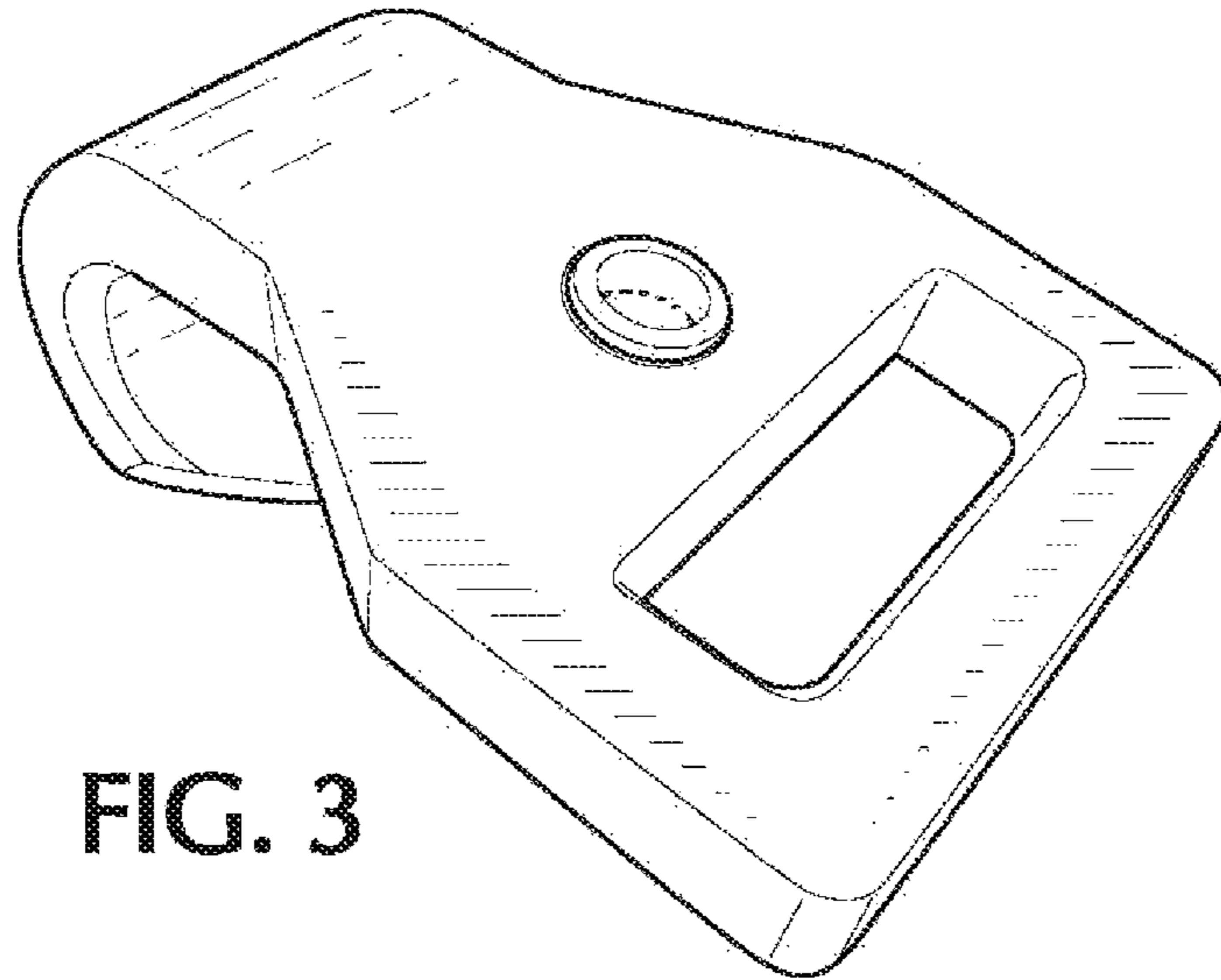


FIG. 3

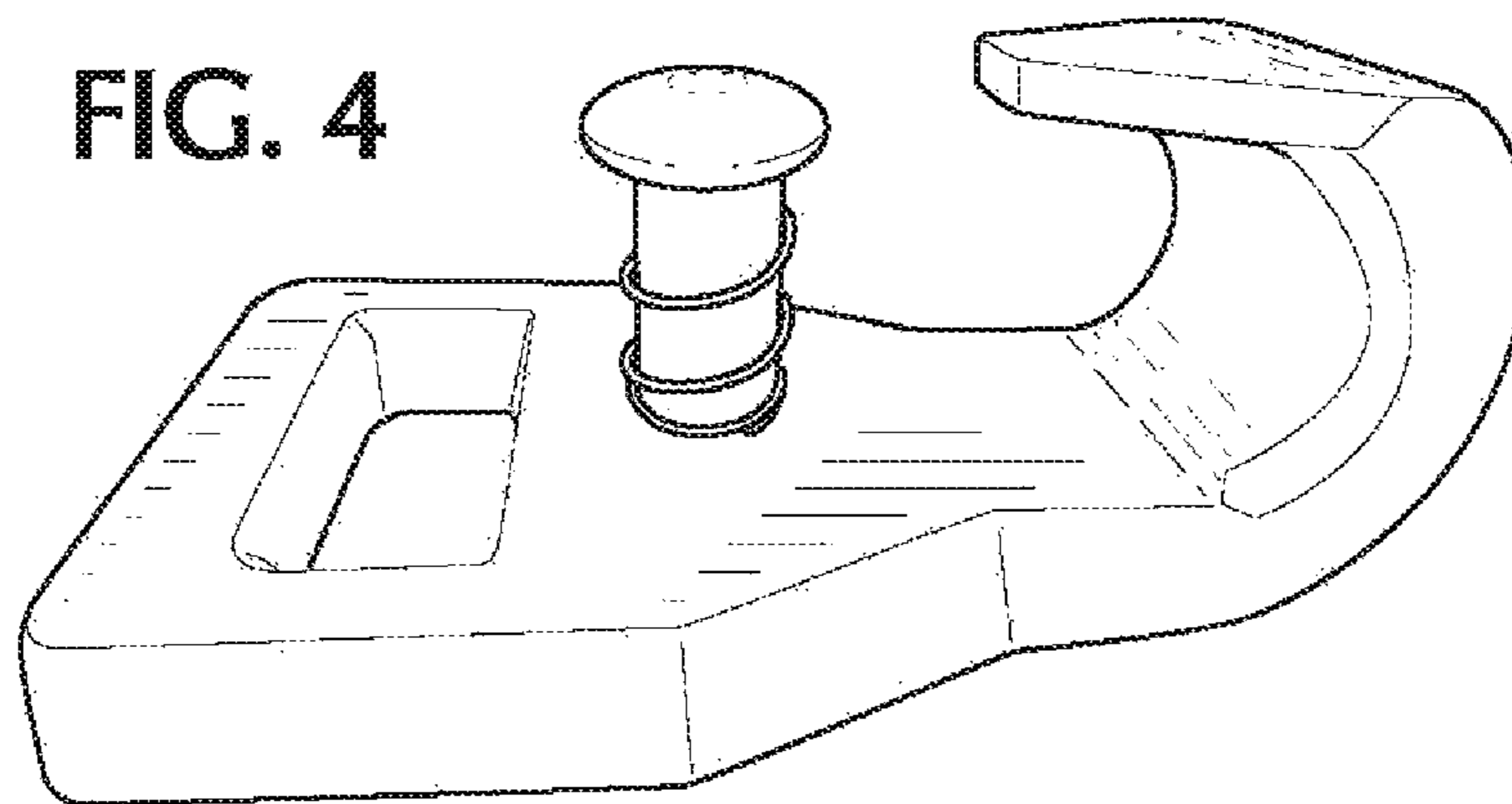


FIG. 4