

US00D691026S

(12) **United States Design Patent**
Komeno et al.

(10) **Patent No.:** **US D691,026 S**
(45) **Date of Patent:** **** Oct. 8, 2013**

- (54) **CLIP**
- (71) Applicants: **Jun Komeno**, Aichi-ken (JP); **Takahiro Sugiyama**, Aichi-ken (JP); **Toshio Iwahara**, Okazaki (JP)
- (72) Inventors: **Jun Komeno**, Aichi-ken (JP); **Takahiro Sugiyama**, Aichi-ken (JP); **Toshio Iwahara**, Okazaki (JP)
- (73) Assignee: **Daiwa Kasei Kogyo Kabushiki Kaisha**, Aichi-ken (JP)

D194,869	S	*	3/1963	Stall	D8/373
D329,194	S	*	9/1992	Gillooly	D8/356
5,207,403	A	*	5/1993	Penniman	248/215
D421,709	S	*	3/2000	Haslem et al.	D8/354
6,074,150	A	*	6/2000	Shinozaki et al.	411/508
6,317,937	B1	*	11/2001	Ishihara et al.	24/297
D473,448	S	*	4/2003	Wu et al.	D8/356
D479,378	S	*	9/2003	Simpson	D34/35
6,718,599	B2	*	4/2004	Dickinson et al.	24/295
D494,452	S	*	8/2004	Sheldon et al.	D8/367
6,796,006	B2	*	9/2004	Hansen	24/297
7,120,971	B2	*	10/2006	Osterland et al.	24/295
D538,137	S	*	3/2007	Dukes	D8/356
D556,021	S	*	11/2007	Sexton	D8/356
D570,203	S	*	6/2008	Shiomoto	D8/395

(**) Term: **14 Years**

(21) Appl. No.: **29/433,326**

(22) Filed: **Sep. 28, 2012**

(30) **Foreign Application Priority Data**

Mar. 28, 2012 (JP) 2012-007068
 Mar. 28, 2012 (JP) 2012-007069

(51) **LOC (9) Cl.** **08-05**
 (52) **U.S. Cl.**
 USPC **D8/356**

(58) **Field of Classification Search**
 USPC D8/367, 356, 371, 373, 354, 355,
 D8/349, 395, 394, 382, 499; D6/323; D3/24;
 248/215, 301, 339, 349.1; 160/349.2; 24/265
 H, 265 R, 599.1, 599.8, 113 R, 573.5, 297,
 24/453, 295, 289, 293, 704.1; 294/82.18;
 29/525.1, 45.3; 223/106; D14/432, 140,
 D14/217; 411/508
 See application file for complete search history.

(56) **References Cited**

U.S. PATENT DOCUMENTS

2,069,691 A * 2/1937 Wilson et al. 24/27
 2,453,980 A * 11/1948 Hartman 248/68.1

(Continued)

FOREIGN PATENT DOCUMENTS

JP	1052871	10/1999
JP	D1052871-1	7/2000
JP	D1332479	6/2008
JP	D1359892	5/2009

Primary Examiner — Cynthia Underwood

(74) *Attorney, Agent, or Firm* — Ladas & Parry, LLP

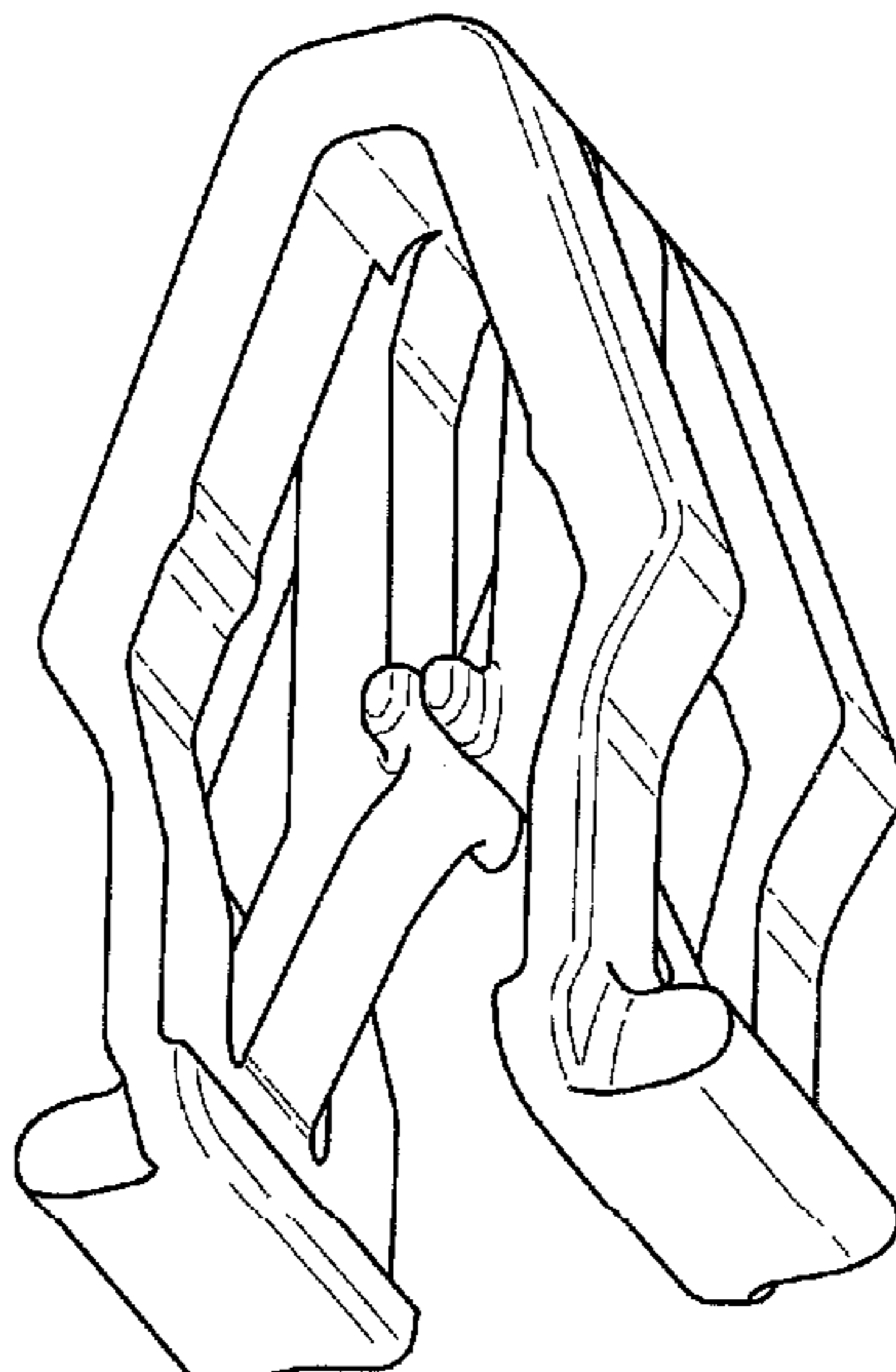
(57) **CLAIM**

The ornamental design for a clip, as shown and described.

DESCRIPTION

FIG. 1 is a perspective view viewed from top side of a clip showing our new design;
 FIG. 2 is a perspective view viewed from bottom side thereof;
 FIG. 3 is a front elevation view thereof;
 FIG. 4 is a right side elevation view thereof;
 FIG. 5 is a top plan view thereof;
 FIG. 6 is a bottom plan view thereof;
 FIG. 7 is a sectional view taken along line 7-7 in FIG. 3
 FIG. 8 is a sectional view taken along line 8-8 in FIG. 4; and,
 FIG. 9 is a top perspective view shown with the clip in an environment of use, the broken lines forming no part of the claim.

1 Claim, 6 Drawing Sheets



(56)

References Cited

U.S. PATENT DOCUMENTS

D572,129 S * 7/2008 Keays D8/395
7,428,770 B2 * 9/2008 Dickenson et al. 24/295
7,475,934 B2 * 1/2009 Sato et al. 296/146.7
7,496,994 B1 * 3/2009 Headley 24/303
7,536,755 B2 * 5/2009 Nakajima et al. 24/297
7,552,516 B2 * 6/2009 Okada et al. 24/297
D647,389 S * 10/2011 Gracia D8/367
8,056,193 B2 * 11/2011 Park 24/297
D658,974 S * 5/2012 Komeno D8/356

D674,685 S * 1/2013 Dixon D8/395
2002/0194710 A1 * 12/2002 Dickinson et al. 24/295
2003/0079316 A1 * 5/2003 Ogawa 24/297
2003/0200634 A1 * 10/2003 Hansen 24/297
2004/0083582 A1 * 5/2004 Dickinson et al. 24/295
2004/0096272 A1 * 5/2004 Dickinson et al. 403/397
2005/0076602 A1 * 4/2005 Routhier 52/698
2005/0105987 A1 * 5/2005 Giugliano et al. 411/508
2005/0155191 A1 * 7/2005 Asano et al. 24/297
2005/0217082 A1 * 10/2005 Vassiliou 24/294

* cited by examiner

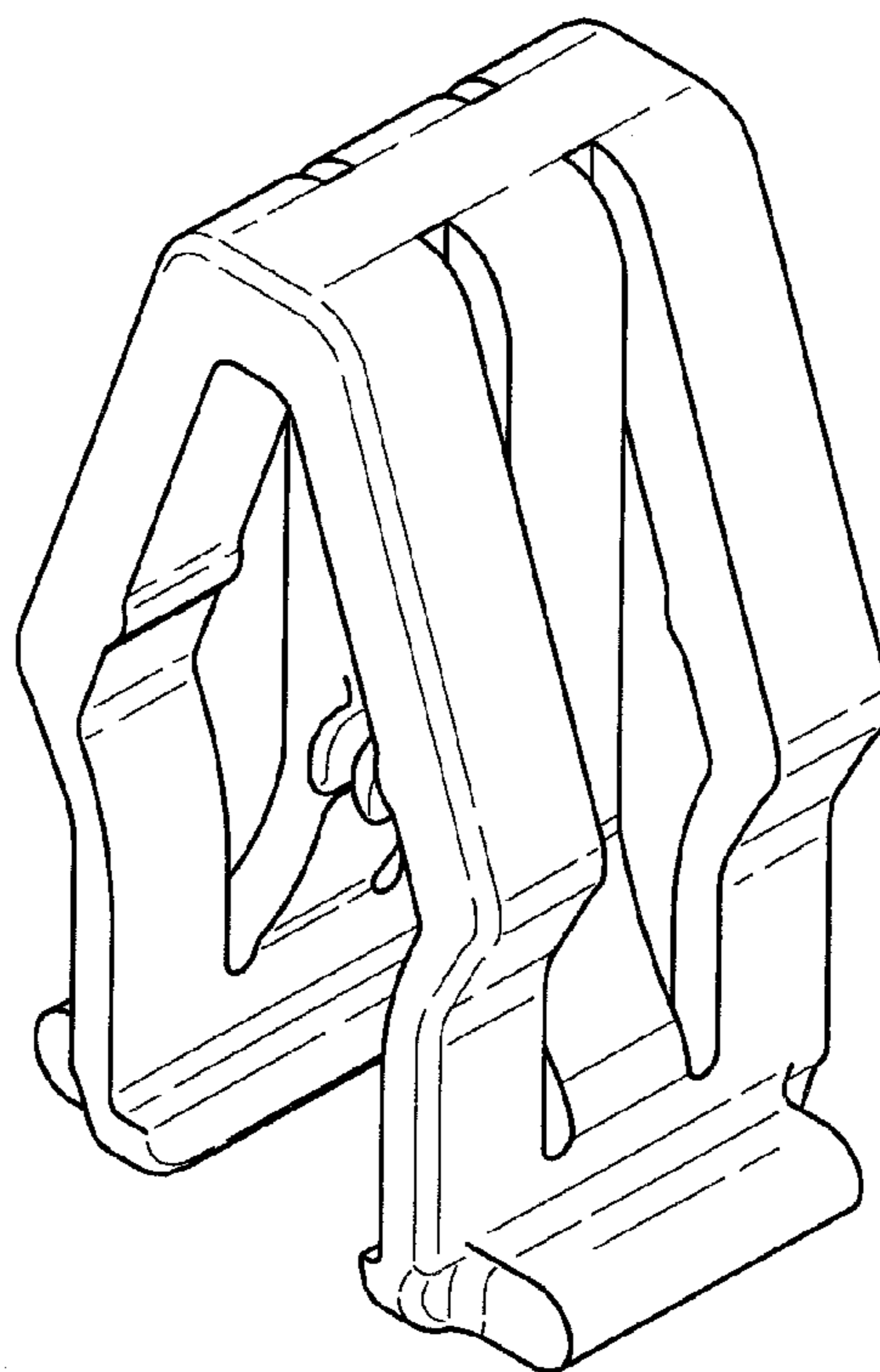


FIG. 1

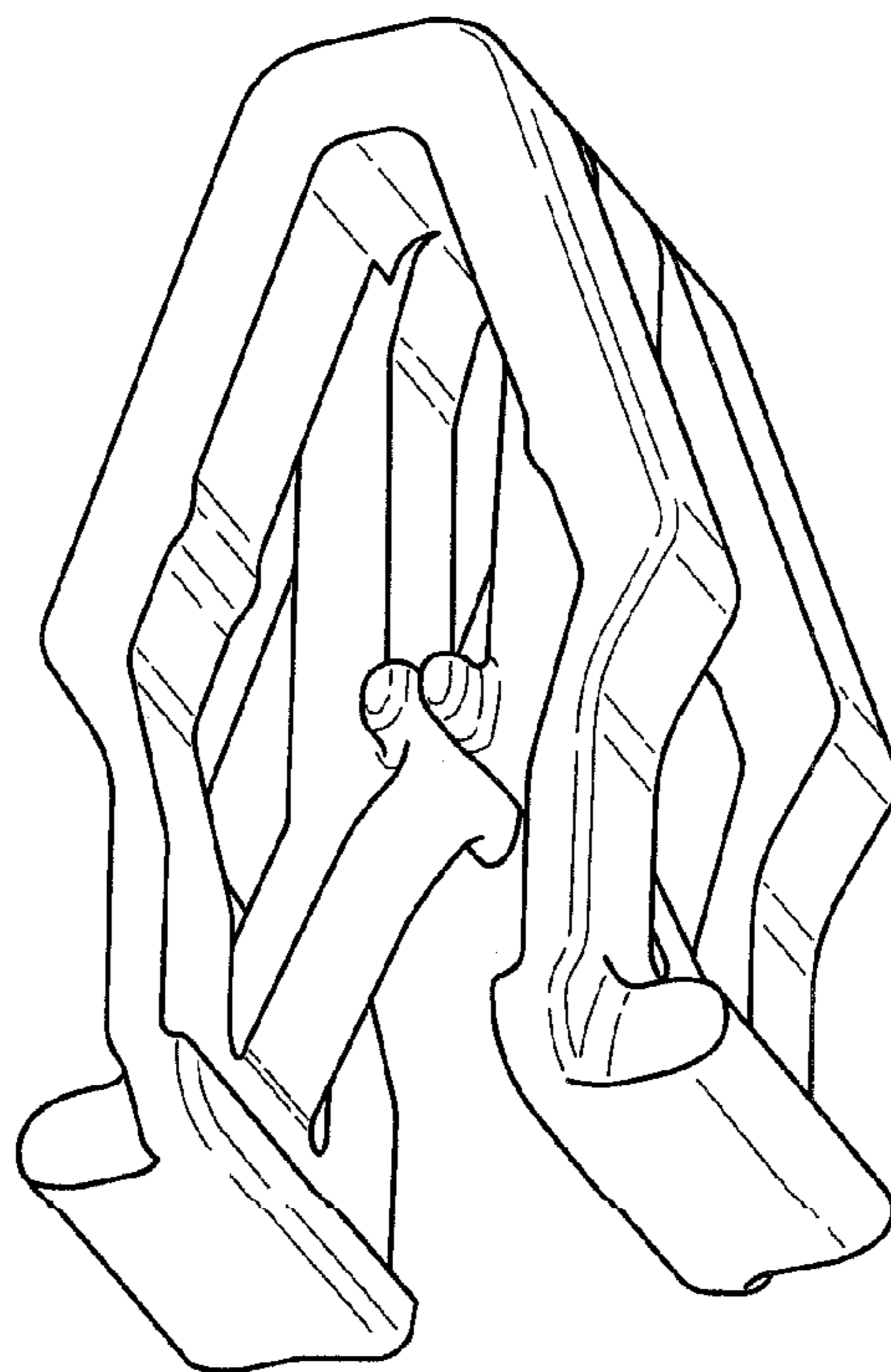


FIG. 2

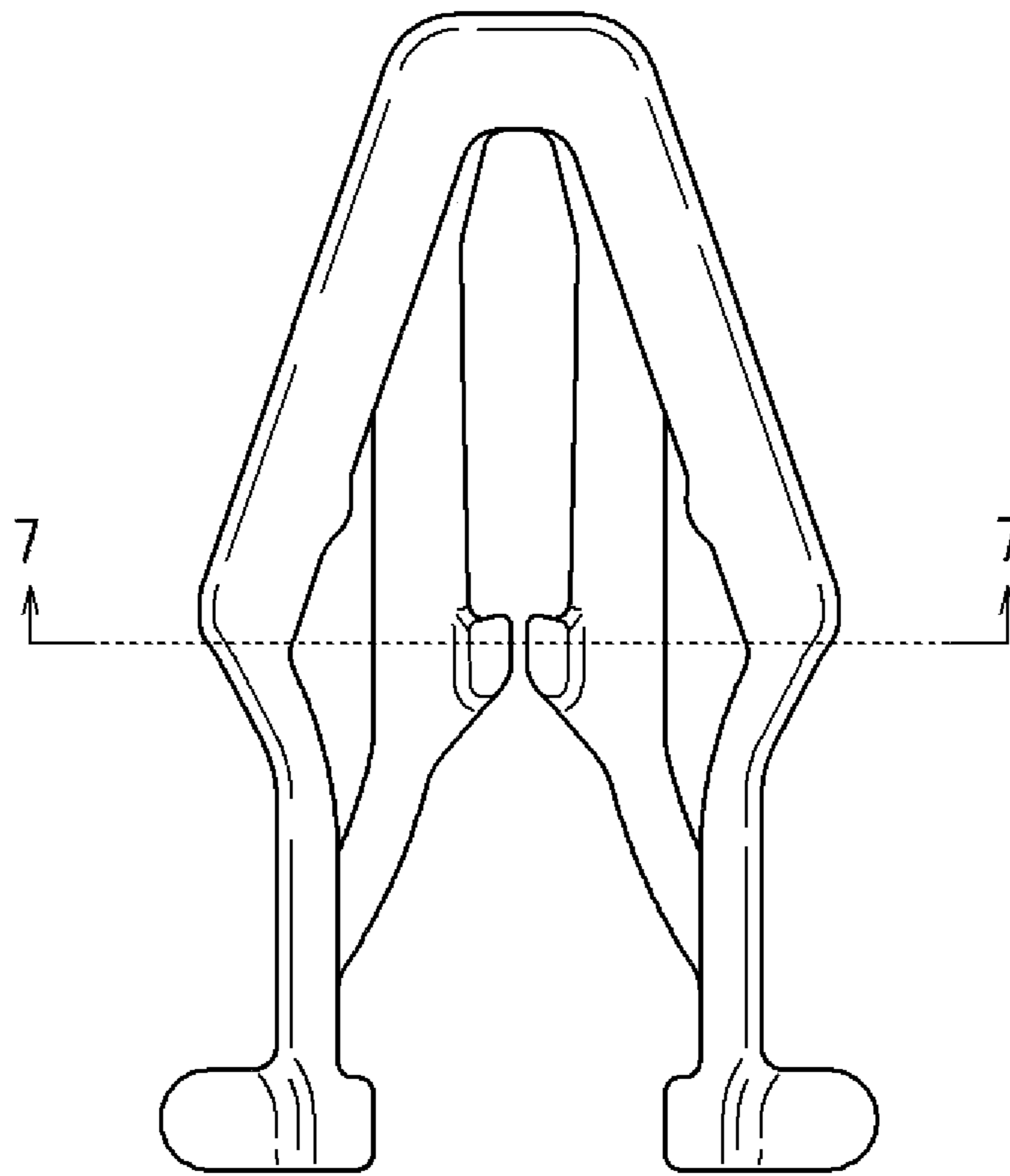


FIG. 3

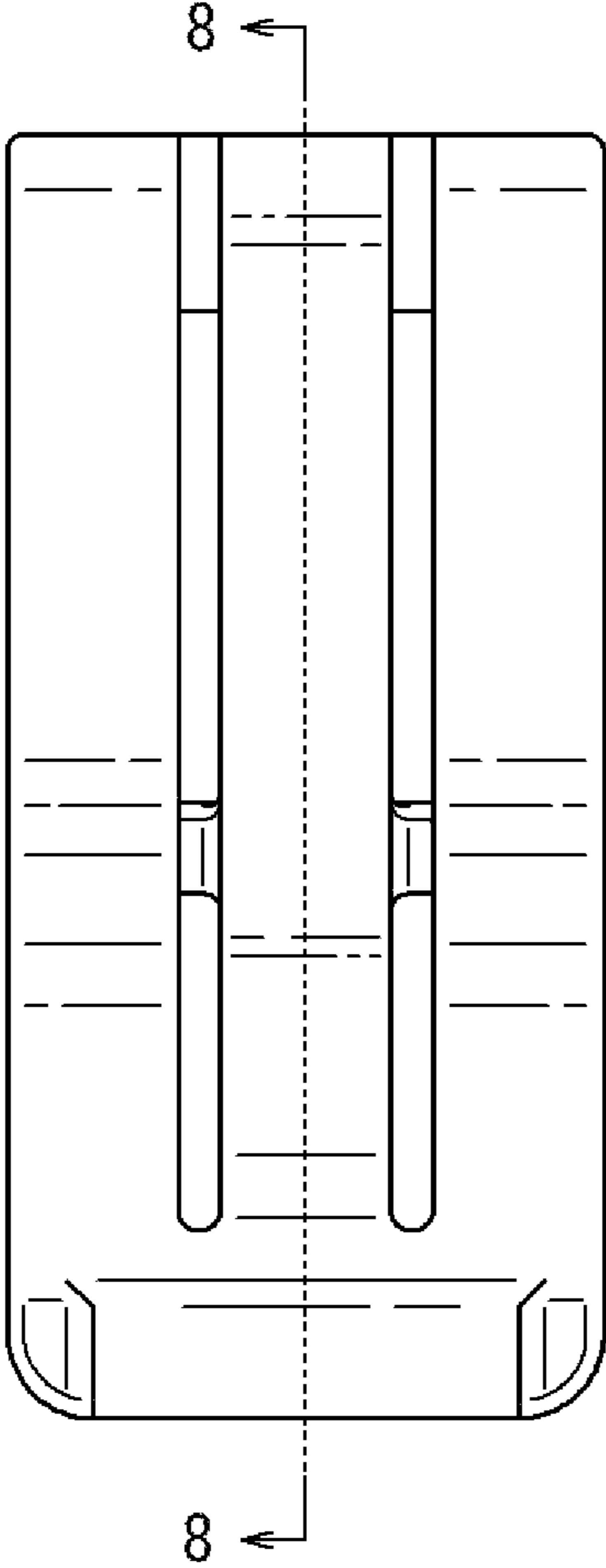


FIG. 4

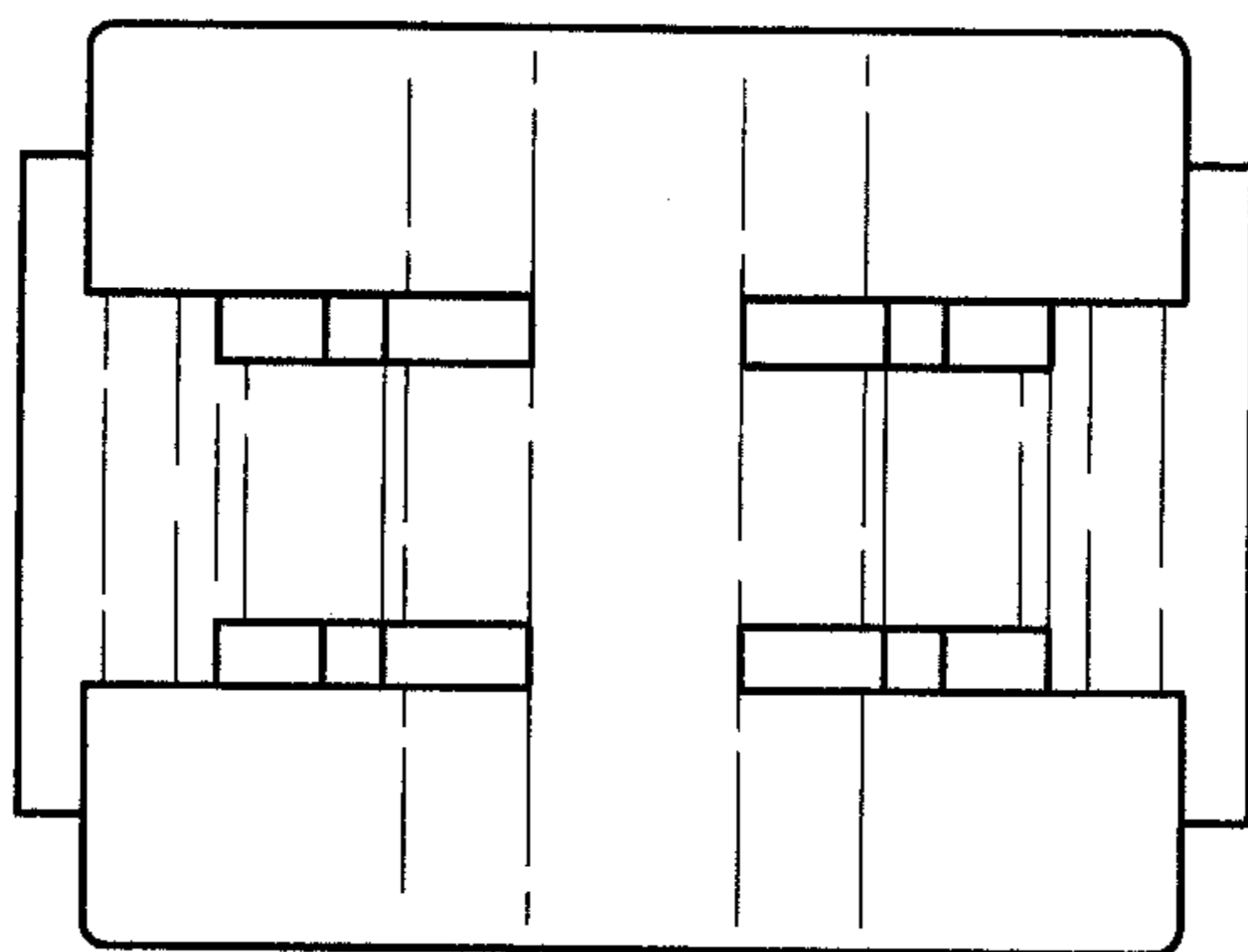


FIG. 5

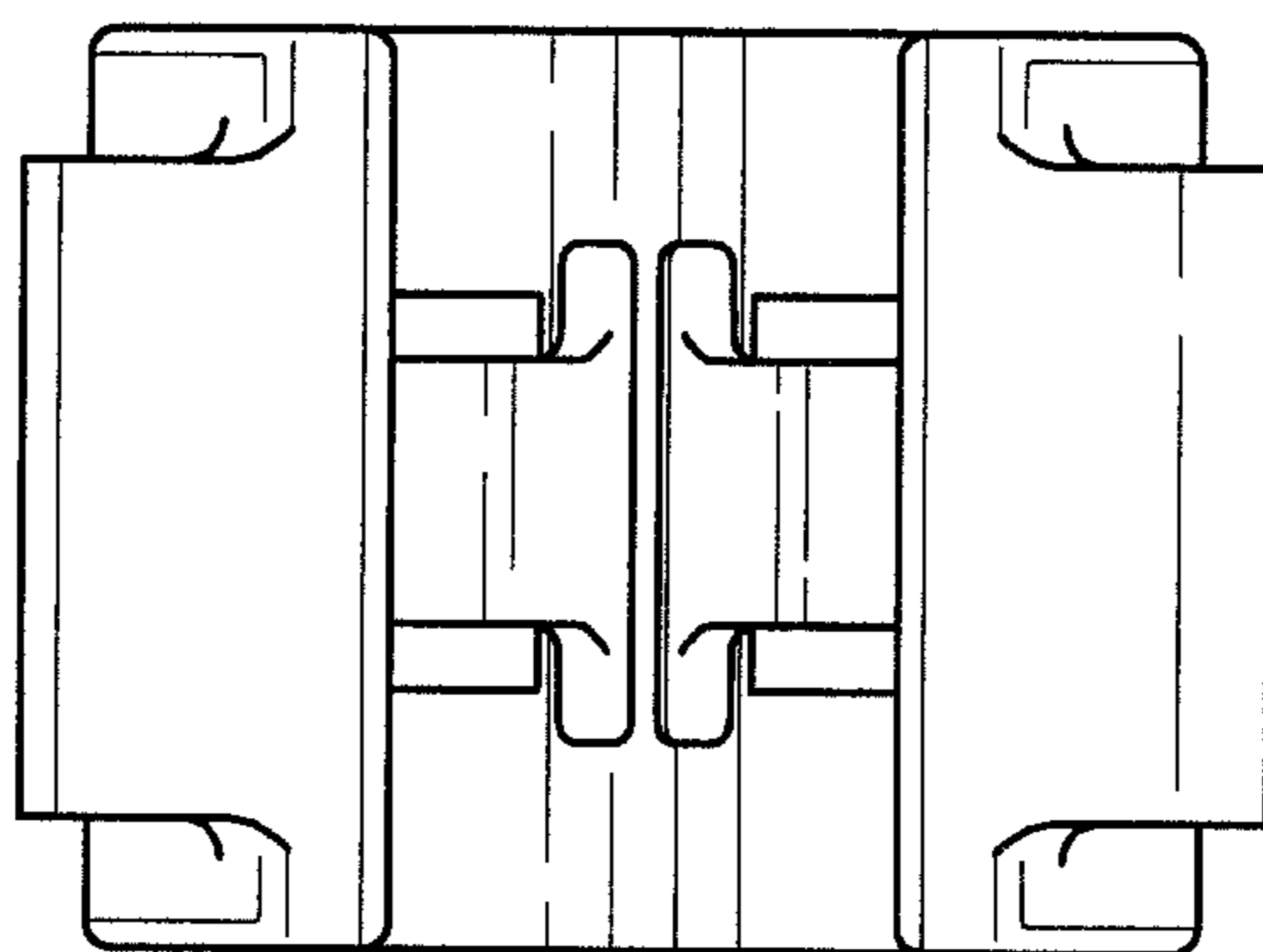


FIG. 6

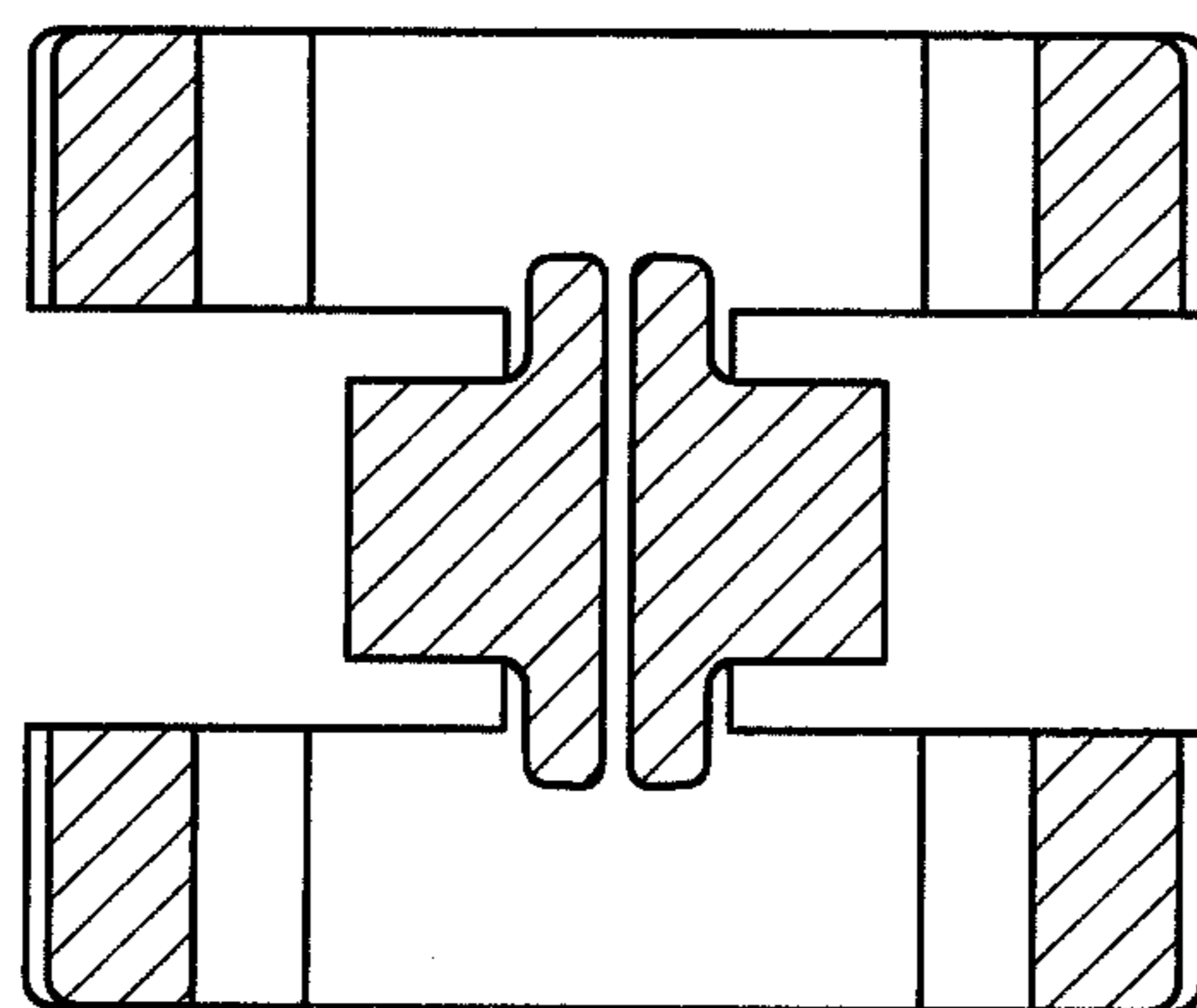


FIG. 7

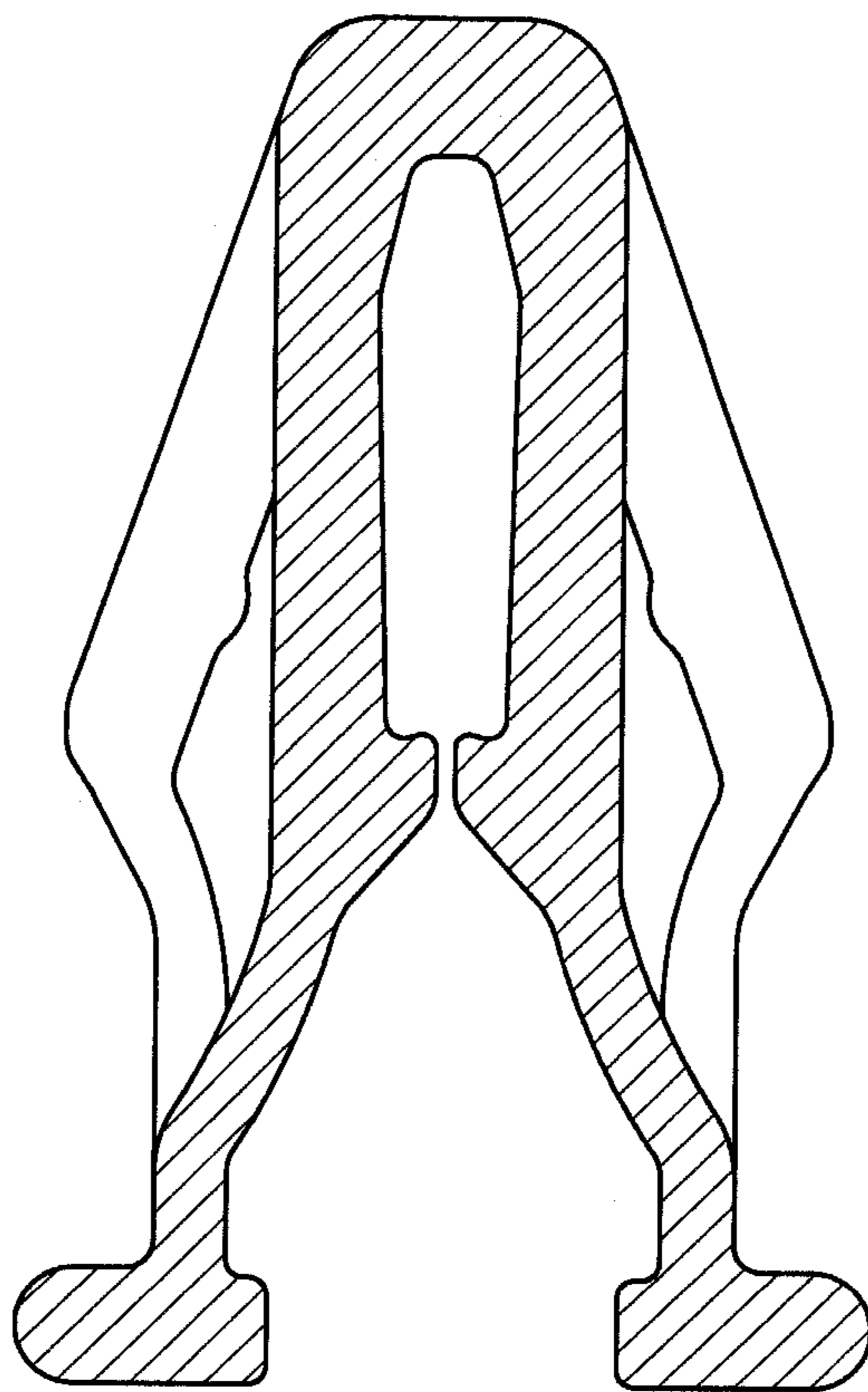


FIG. 8

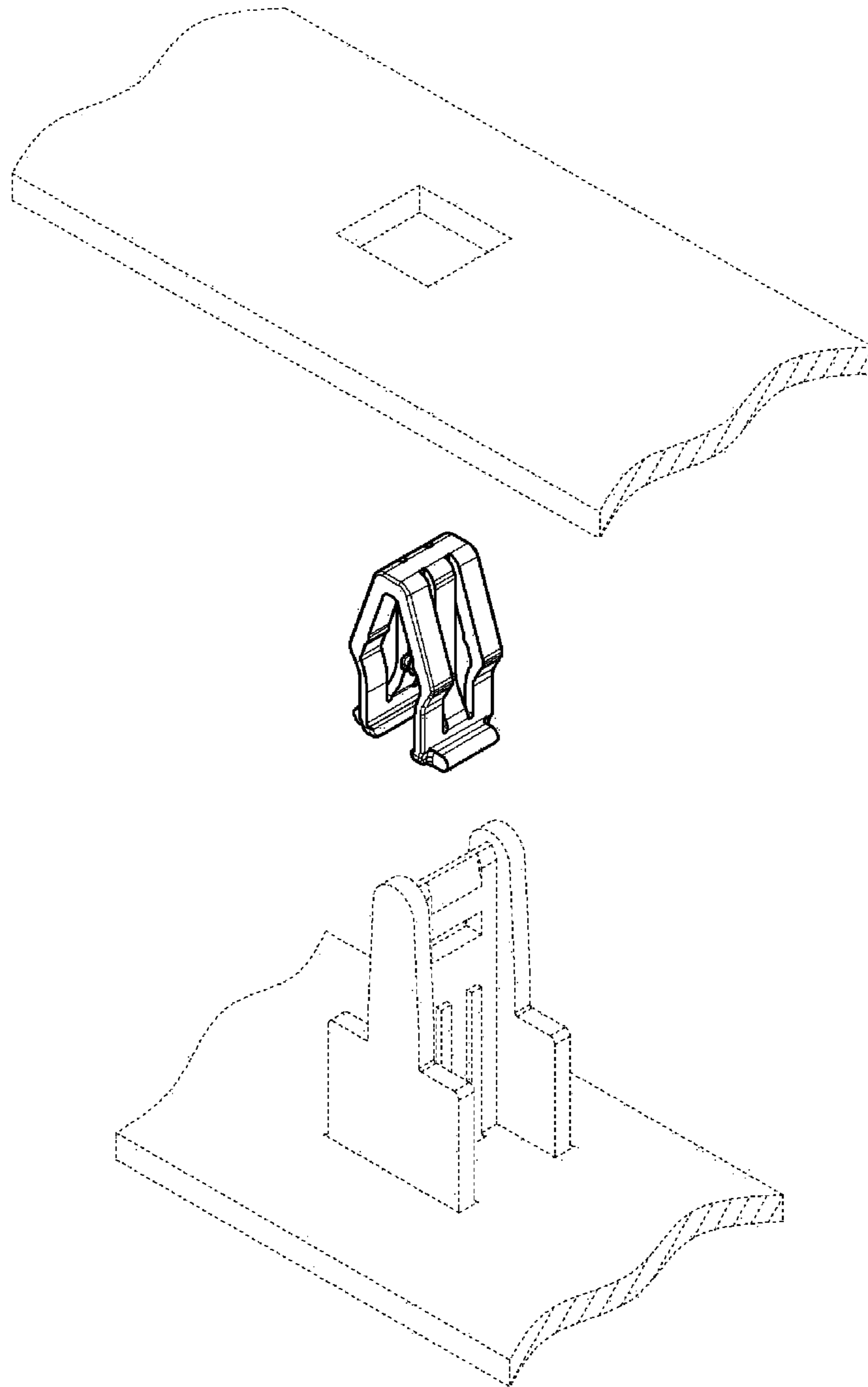


FIG. 9