

US00D691025S

(12) **United States Design Patent**
Belaidi et al.

(10) **Patent No.:** **US D691,025 S**
(45) **Date of Patent:** **** Oct. 8, 2013**

(54) **ROTATABLE MOUNTING SYSTEM**

(75) Inventors: **Hakim F. Belaidi**, Durham, NH (US);
Joseph R. DeLuca, Jackson, NJ (US);
Ronald A. Decker, Turnersville, NJ
(US); **Anthony L. Russo**, Old Bridge,
NJ (US); **Kenneth W. Fasanella**, Red
Bank, NJ (US); **Bruce Modick**,
Boonton, NJ (US)

(73) Assignee: **Petra Solar, Inc.**, South Plainfield, NJ
(US)

(**) Term: **14 Years**

(21) Appl. No.: **29/370,721**

(22) Filed: **Aug. 26, 2010**

(51) **LOC (9) Cl.** **08-05**

(52) **U.S. Cl.**
USPC **D8/355; D13/102**

(58) **Field of Classification Search**
USPC D8/355; D13/101, 102, 184, 199;
52/173.3; 126/573, 580; 136/206, 244–251,
136/256, 291–292

See application file for complete search history.

(56) **References Cited**

U.S. PATENT DOCUMENTS

| | | | | | |
|-----------|------|---------|-----------------|-------|----------|
| D198,395 | S * | 6/1964 | Gusdorf | | D8/355 |
| 4,154,221 | A * | 5/1979 | Nelson | | 126/573 |
| 4,995,377 | A * | 2/1991 | Eiden | | 126/605 |
| 5,228,924 | A * | 7/1993 | Barker et al. | | 136/246 |
| 5,730,117 | A * | 3/1998 | Berger | | 126/604 |
| 6,058,930 | A * | 5/2000 | Shingleton | | 126/600 |
| 6,321,763 | B1 | 11/2001 | Ma | | |
| D467,221 | S * | 12/2002 | Walstrom et al. | | D12/408 |
| 6,563,040 | B2 * | 5/2003 | Hayden et al. | | 136/244 |
| 6,722,357 | B2 * | 4/2004 | Shingleton | | 126/600 |
| D495,240 | S * | 8/2004 | Mnich et al. | | D8/355 |
| 6,959,517 | B2 * | 11/2005 | Poddany et al. | | 52/173.3 |
| 6,960,717 | B2 * | 11/2005 | Stuart et al. | | 136/246 |

| | | | | | |
|-----------|------|--------|---------------|-------|---------|
| D565,505 | S * | 4/2008 | Shugar et al. | | D13/102 |
| D586,737 | S * | 2/2009 | Shugar et al. | | D13/102 |
| 7,531,741 | B1 * | 5/2009 | Melton et al. | | 136/246 |
| 7,554,030 | B2 * | 6/2009 | Shingleton | | 136/246 |

(Continued)

FOREIGN PATENT DOCUMENTS

JP 2000-115929 A 4/2000

OTHER PUBLICATIONS

International Search Report dated Aug. 22, 2011 cited in Application
No. PCT/US2011/048608 (0006woul) (9 pgs).

Primary Examiner — Mark Goodwin

(74) *Attorney, Agent, or Firm* — Merchant & Gould

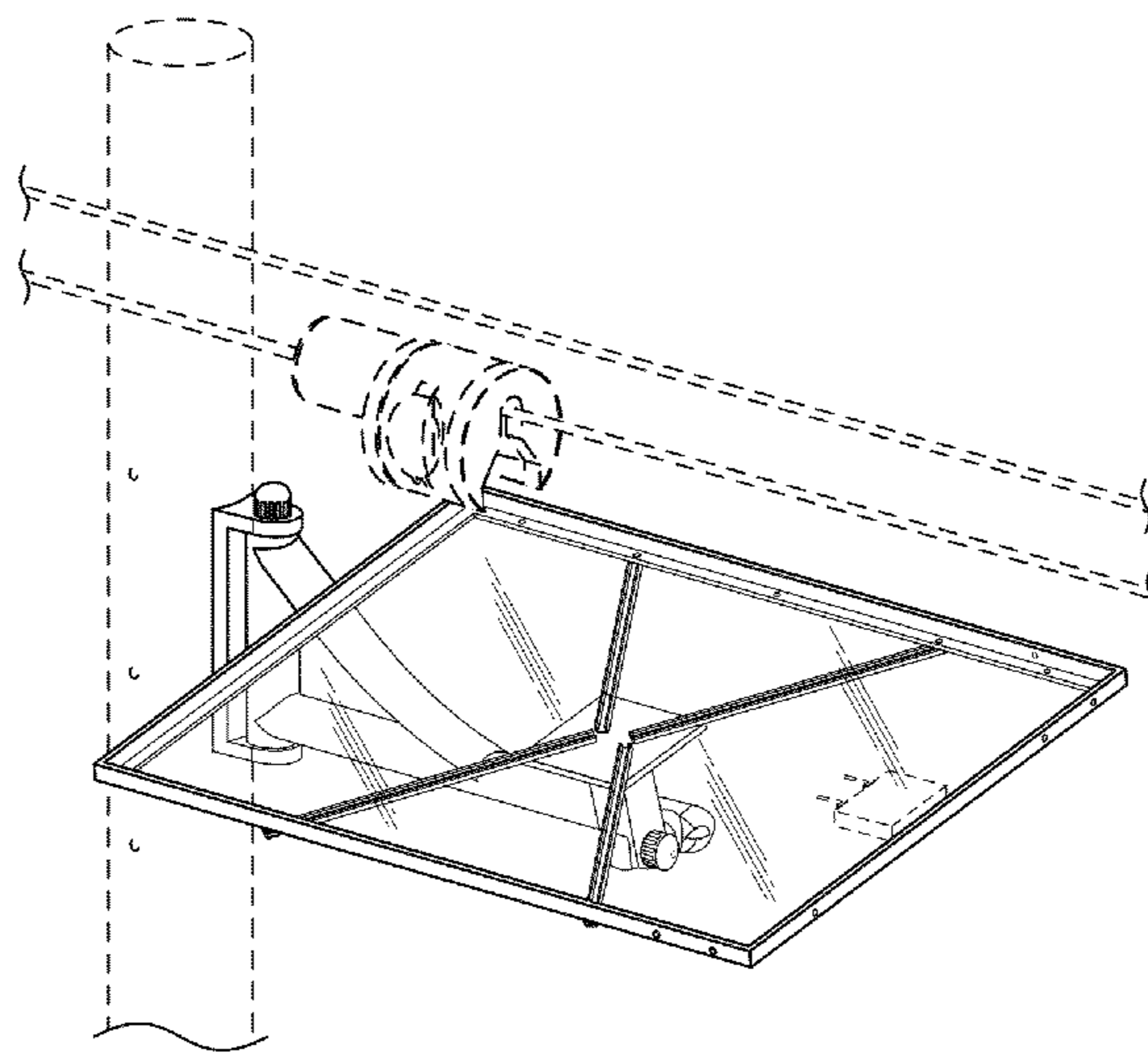
(57) **CLAIM**

The ornamental design for a rotatable mounting system, as
shown and described.

DESCRIPTION

FIG. 1 is a front view of a rotatable mounting system showing
our new design;
FIG. 2 is a front perspective view thereof;
FIG. 3 is a rear elevation view thereof;
FIG. 4 is a left side view thereof;
FIG. 5 is a rear elevation view thereof;
FIG. 6 is a front perspective view thereof;
FIG. 7 is a right side view thereof;
FIG. 8 is a rear perspective view thereof;
FIG. 9 is a right side view thereof;
FIG. 10 is a rear perspective view thereof;
FIG. 11 is a rear perspective view thereof;
FIG. 12 is a front view thereof;
FIG. 13 is a front perspective view thereof;
FIG. 14 is a right side view thereof; and,
FIG. 15 is a front view of a second embodiment of a rotatable
mounting system showing our new design all other views
being identical thereof.

1 Claim, 8 Drawing Sheets



US D691,025 S

Page 2

(56)

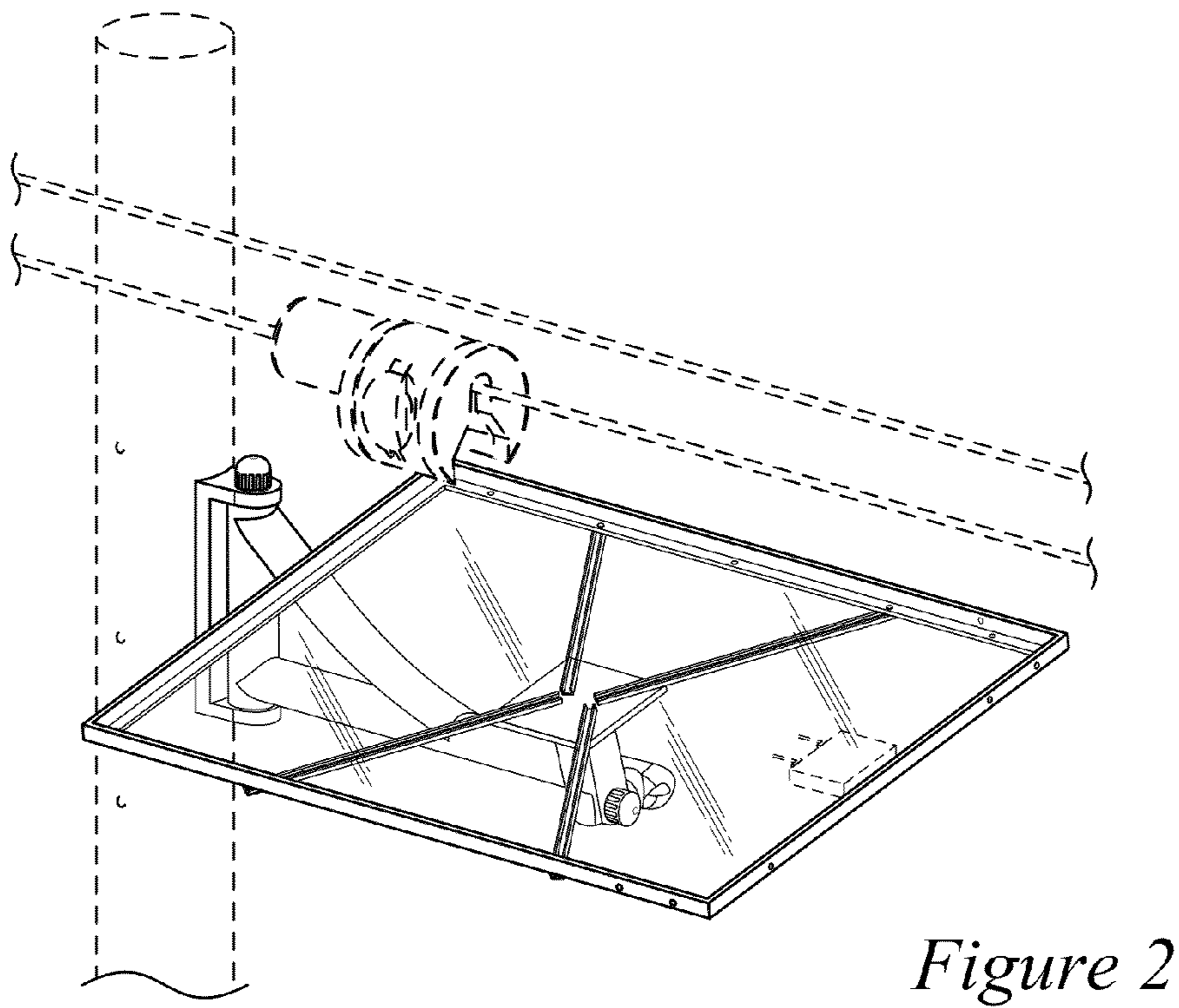
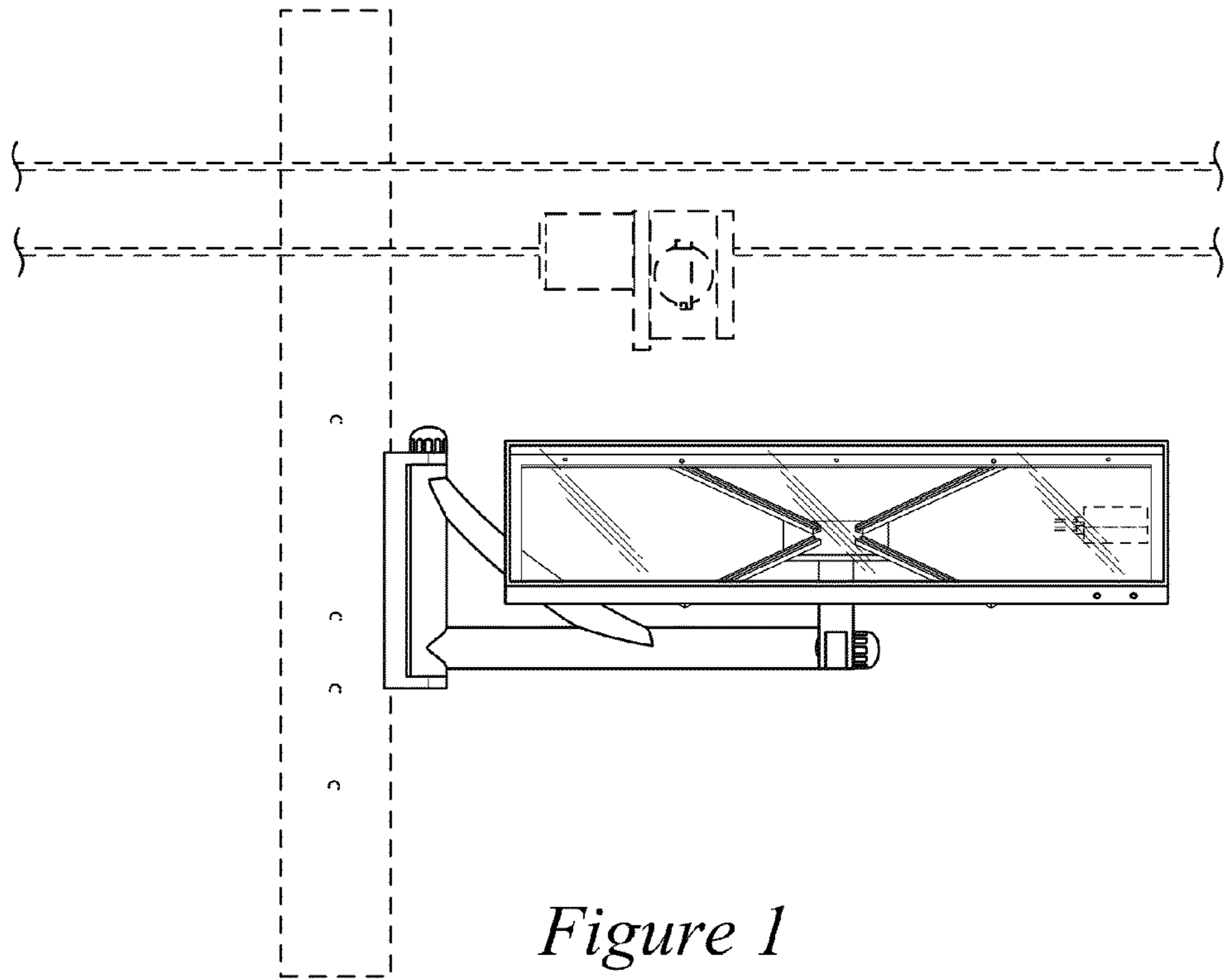
References Cited

U.S. PATENT DOCUMENTS

D595,645 S * 7/2009 Beghelli D13/102
7,557,292 B2 * 7/2009 Shingleton et al. 136/246

D611,404 S * 3/2010 Mackler D13/102
D611,405 S * 3/2010 Mackler D13/102
2003/0070705 A1 * 4/2003 Hayden et al. 136/251
2008/0078905 A1 4/2008 Shillington

* cited by examiner



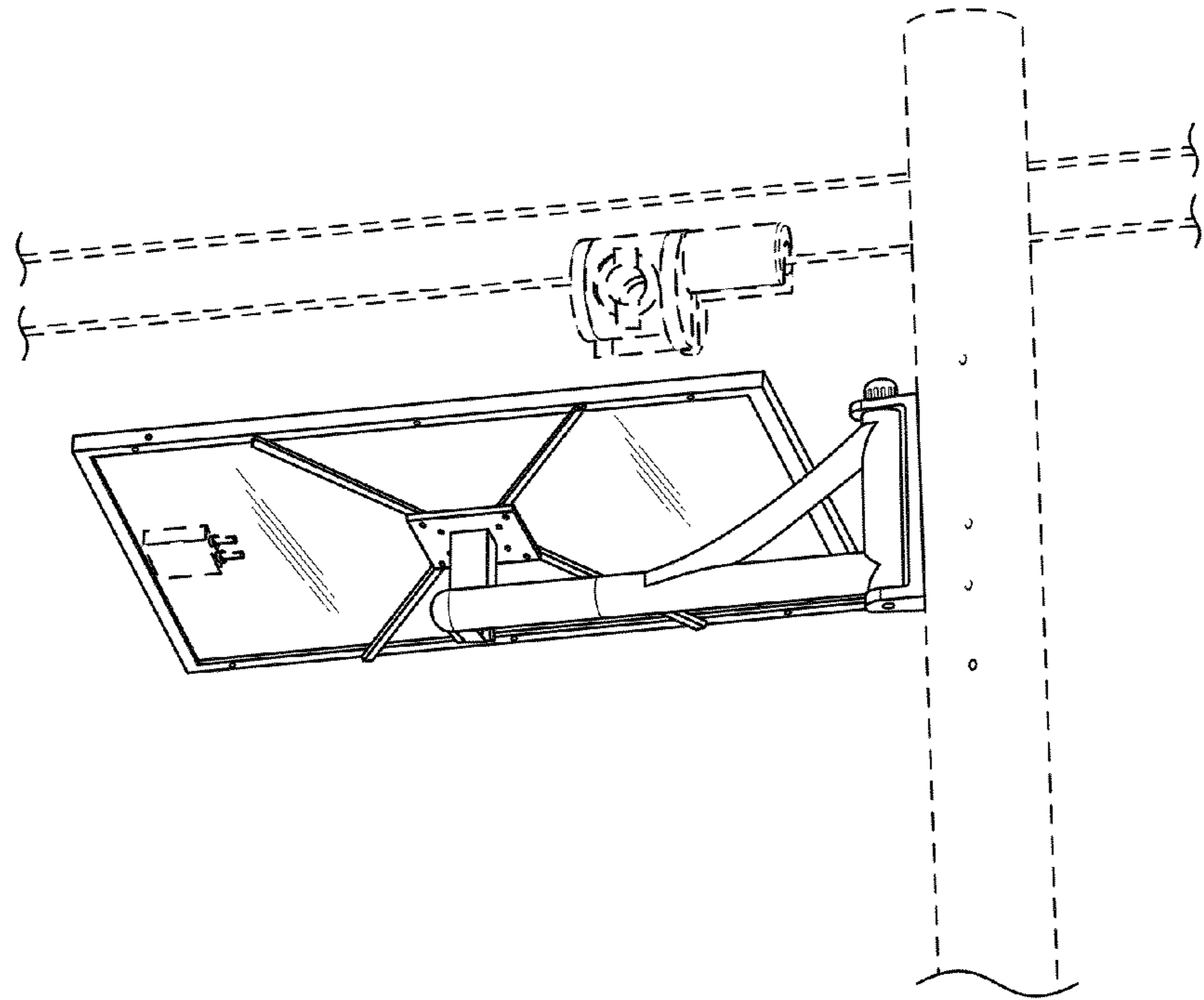


Figure 3

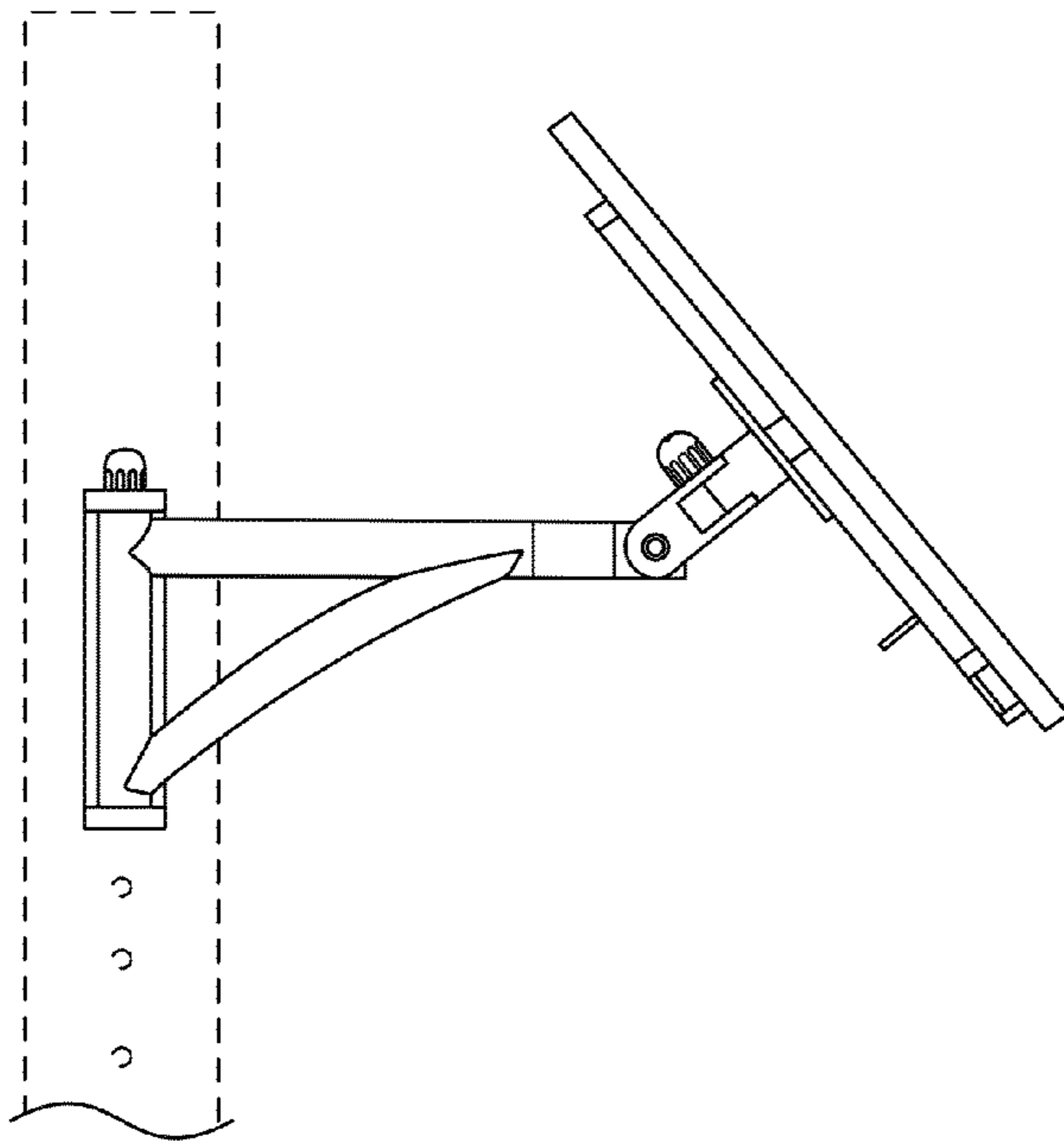


Figure 4

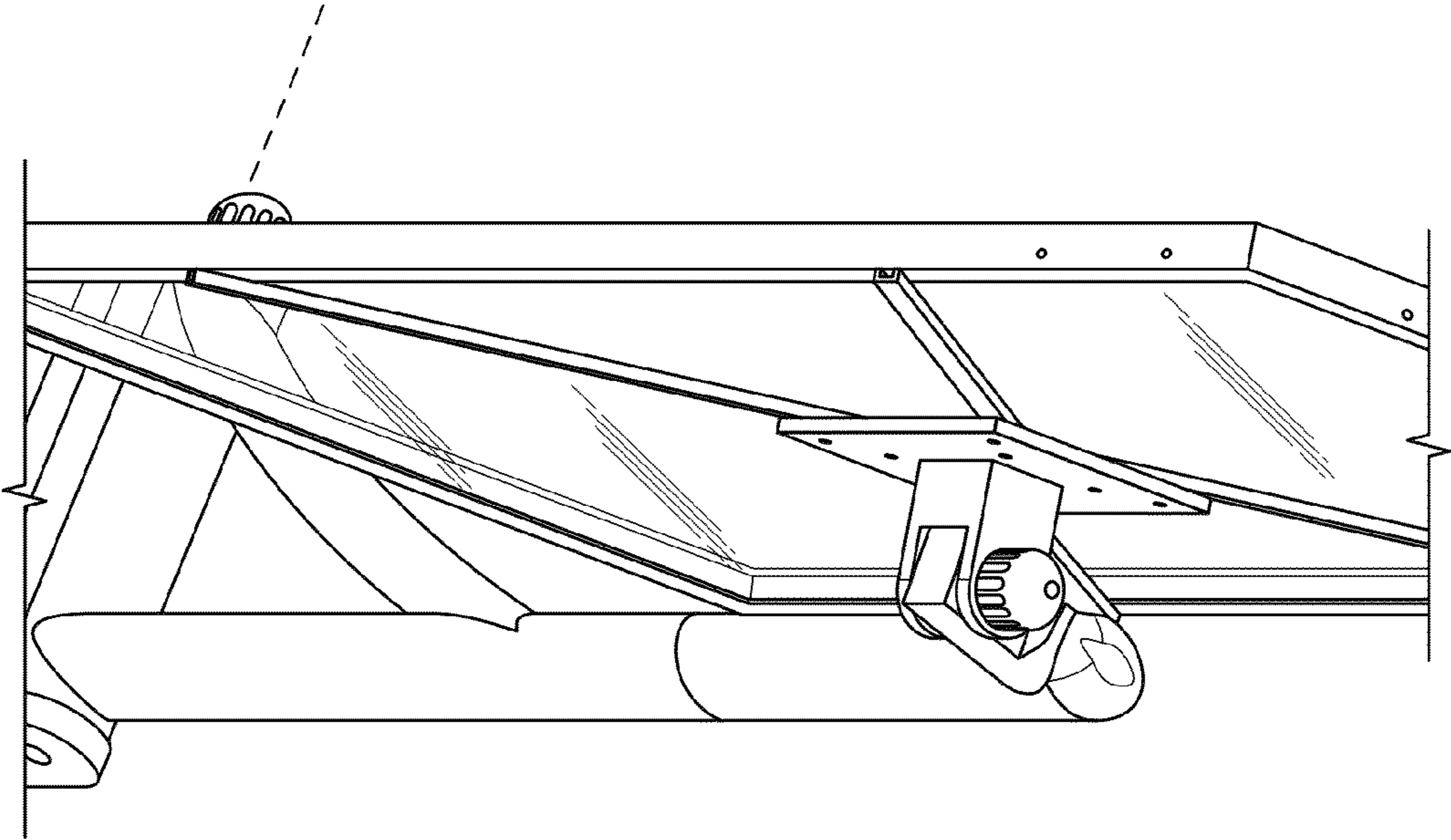


Figure 5

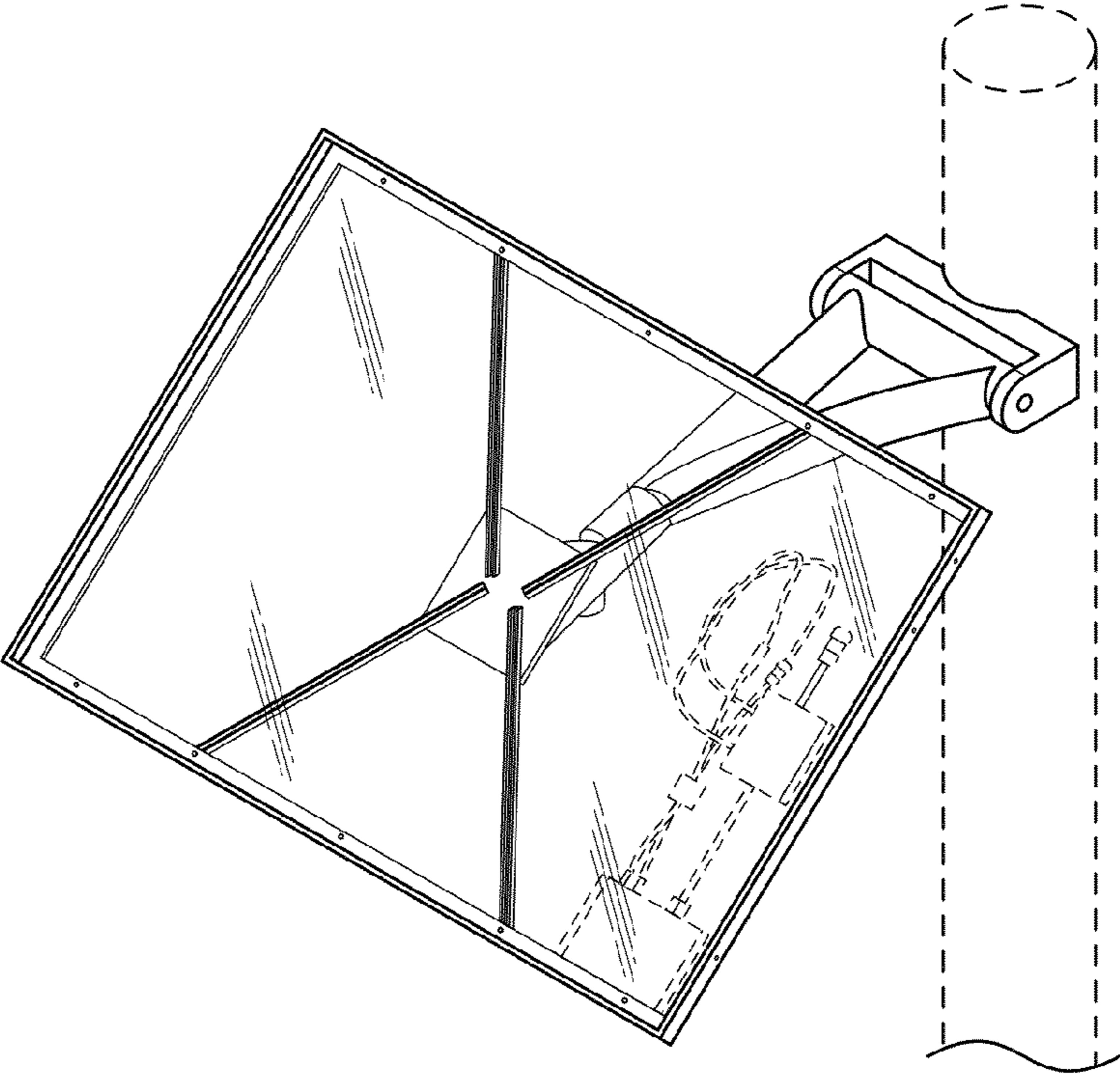


Figure 6

Figure 7

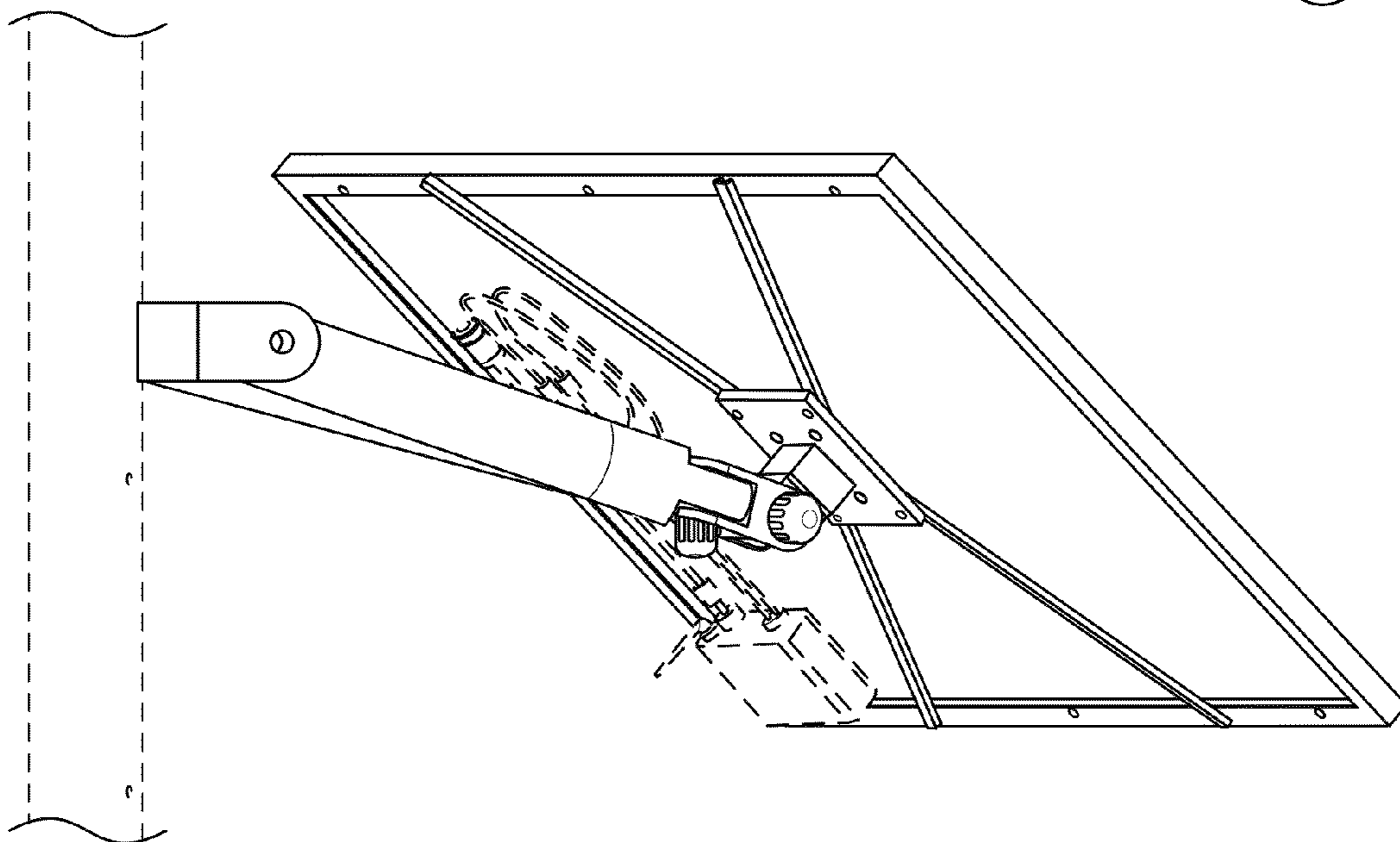
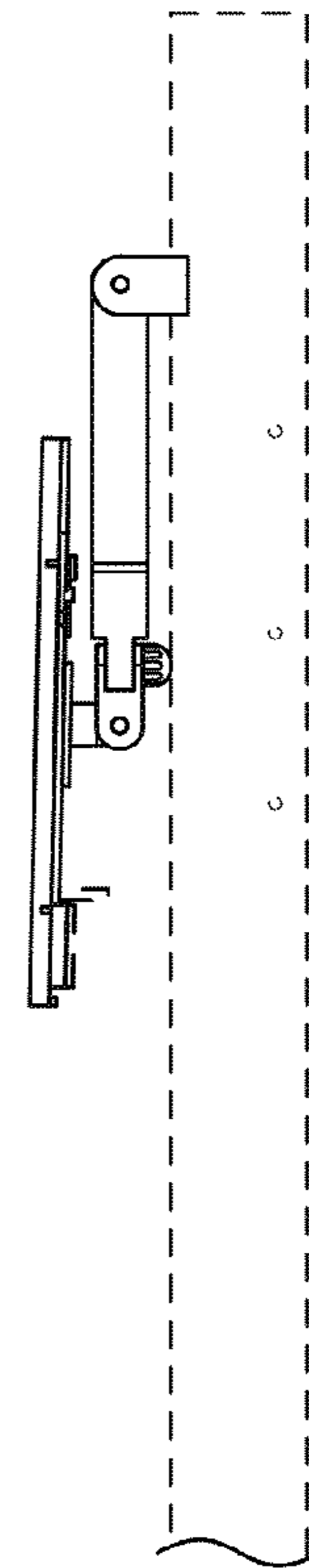


Figure 8

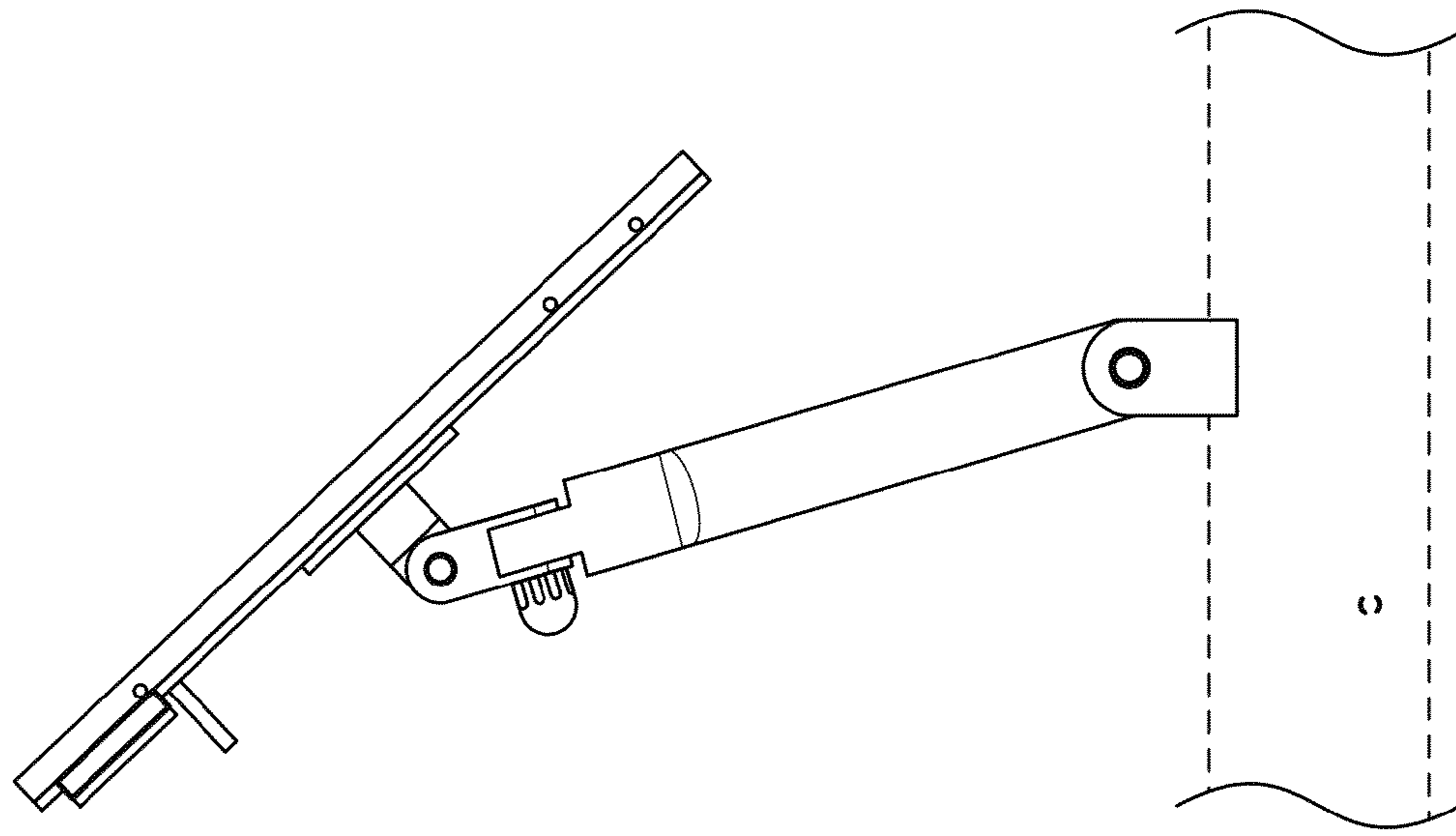


Figure 9

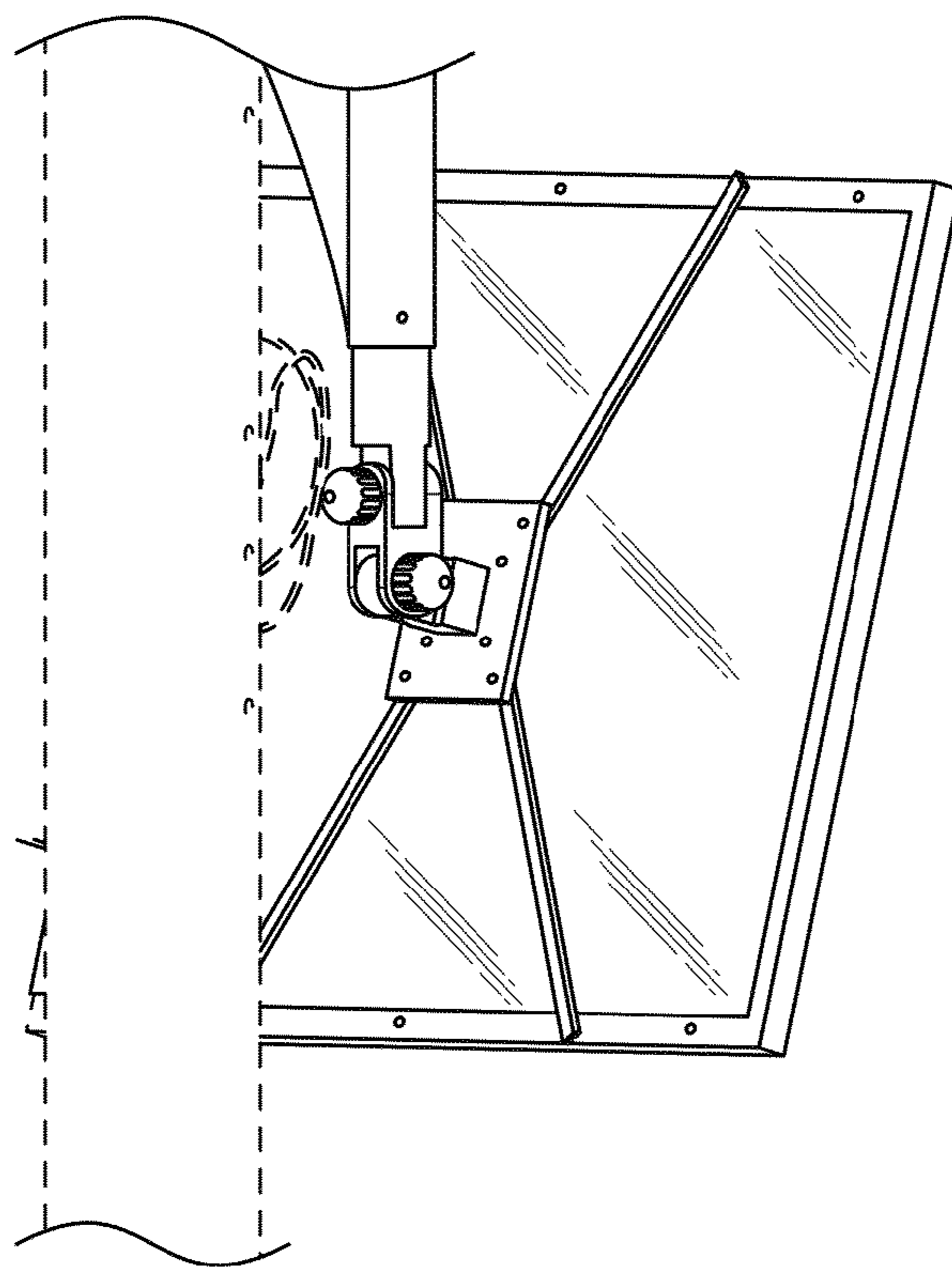


Figure 10

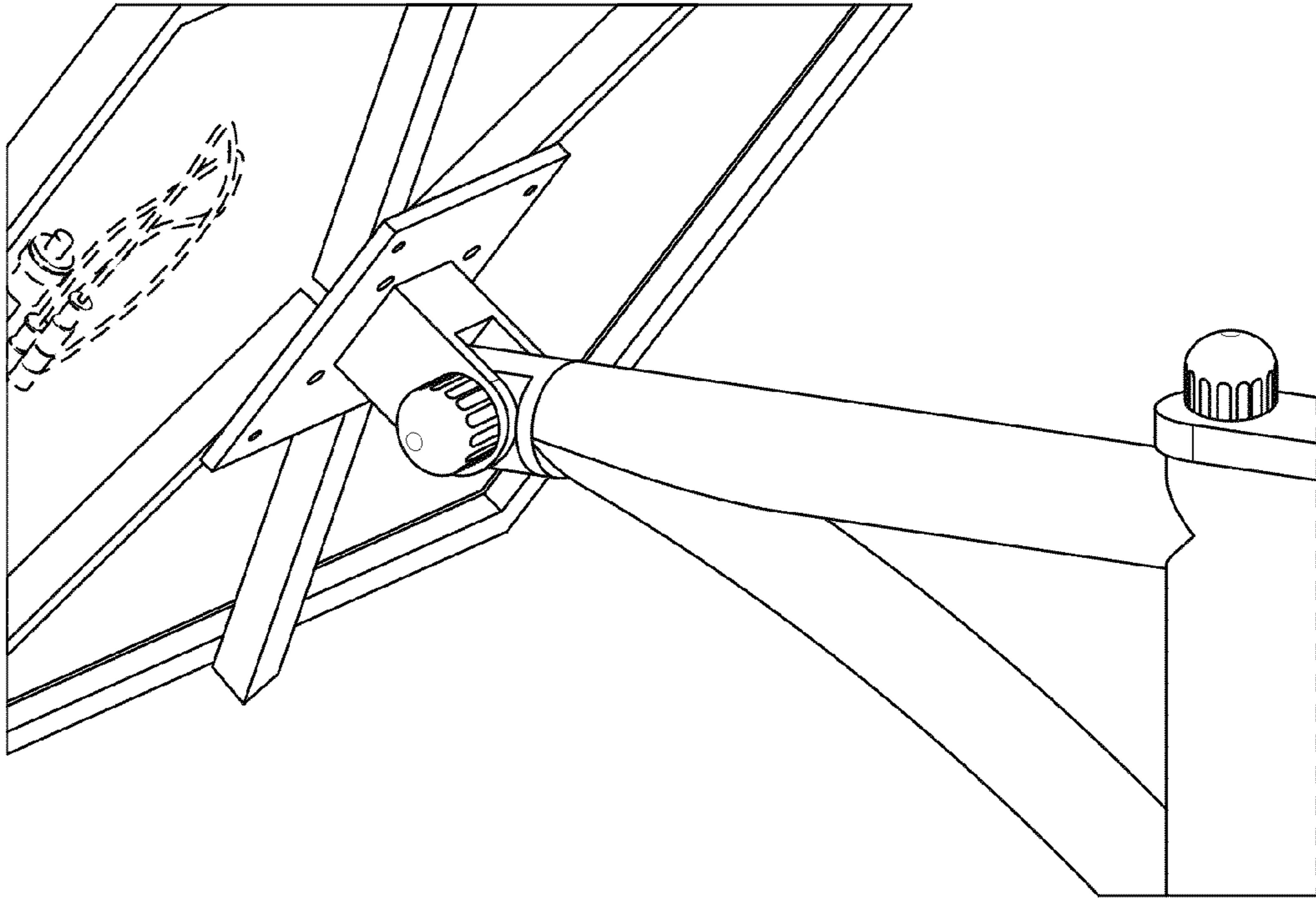


Figure 11

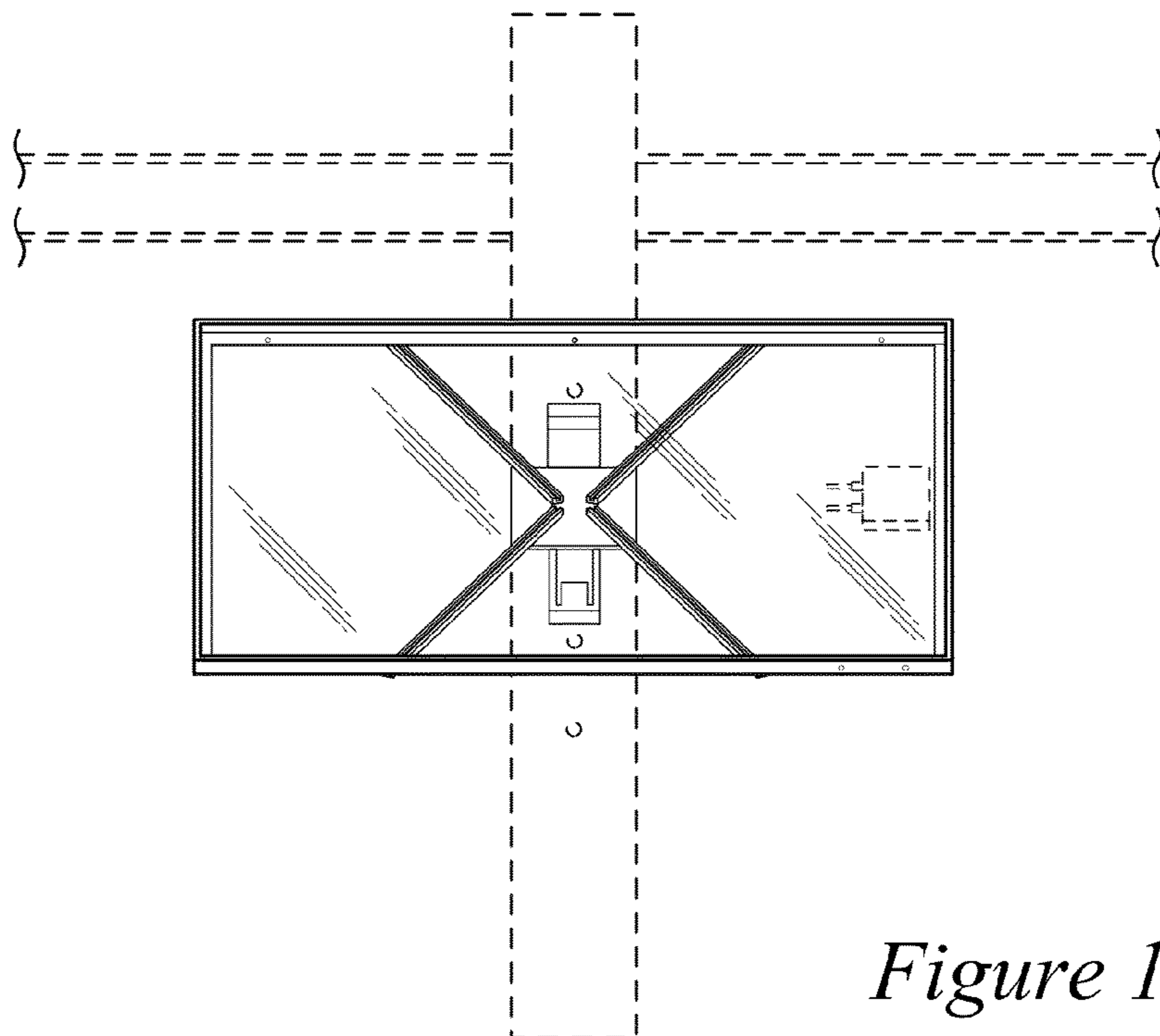


Figure 12

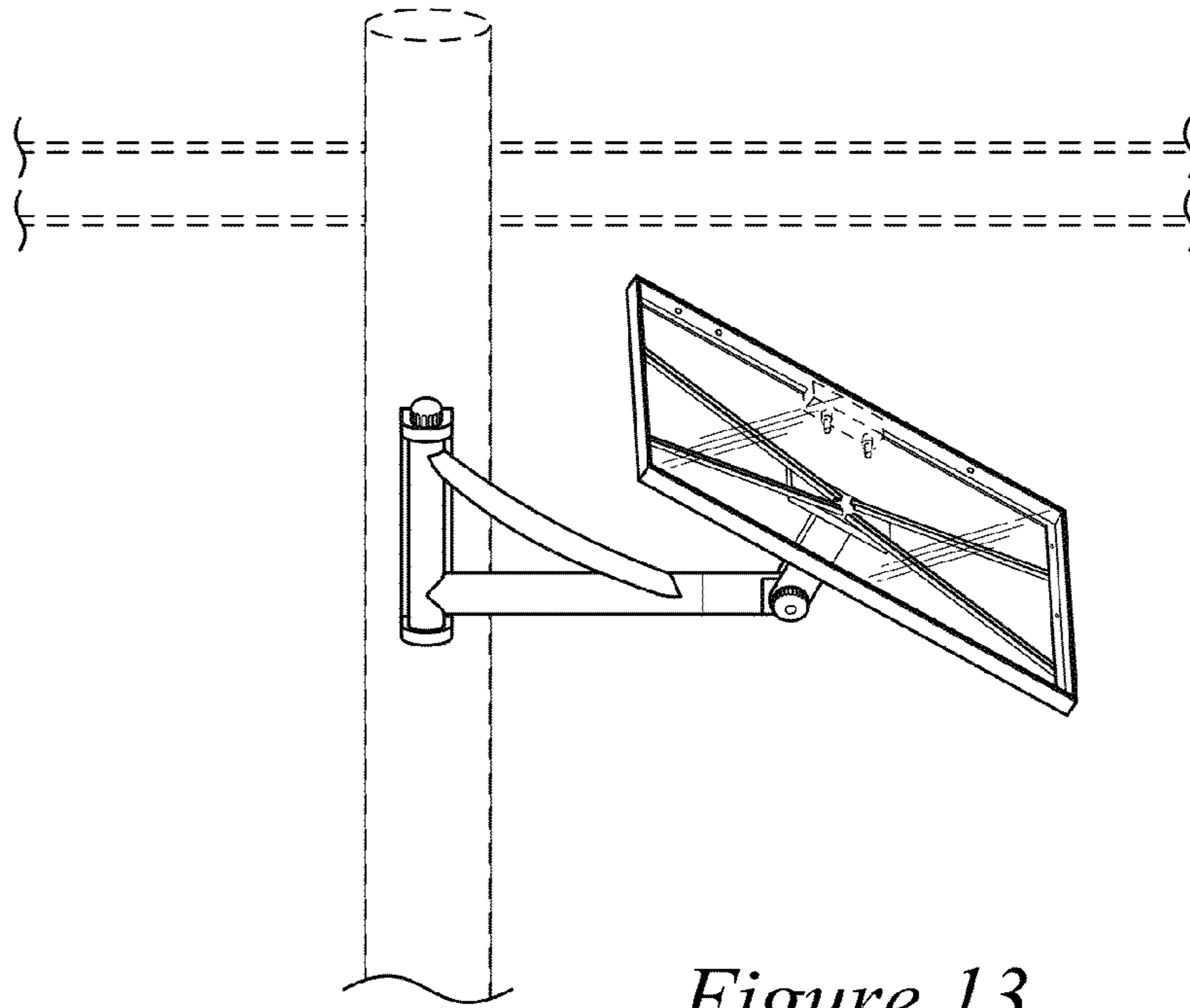


Figure 13

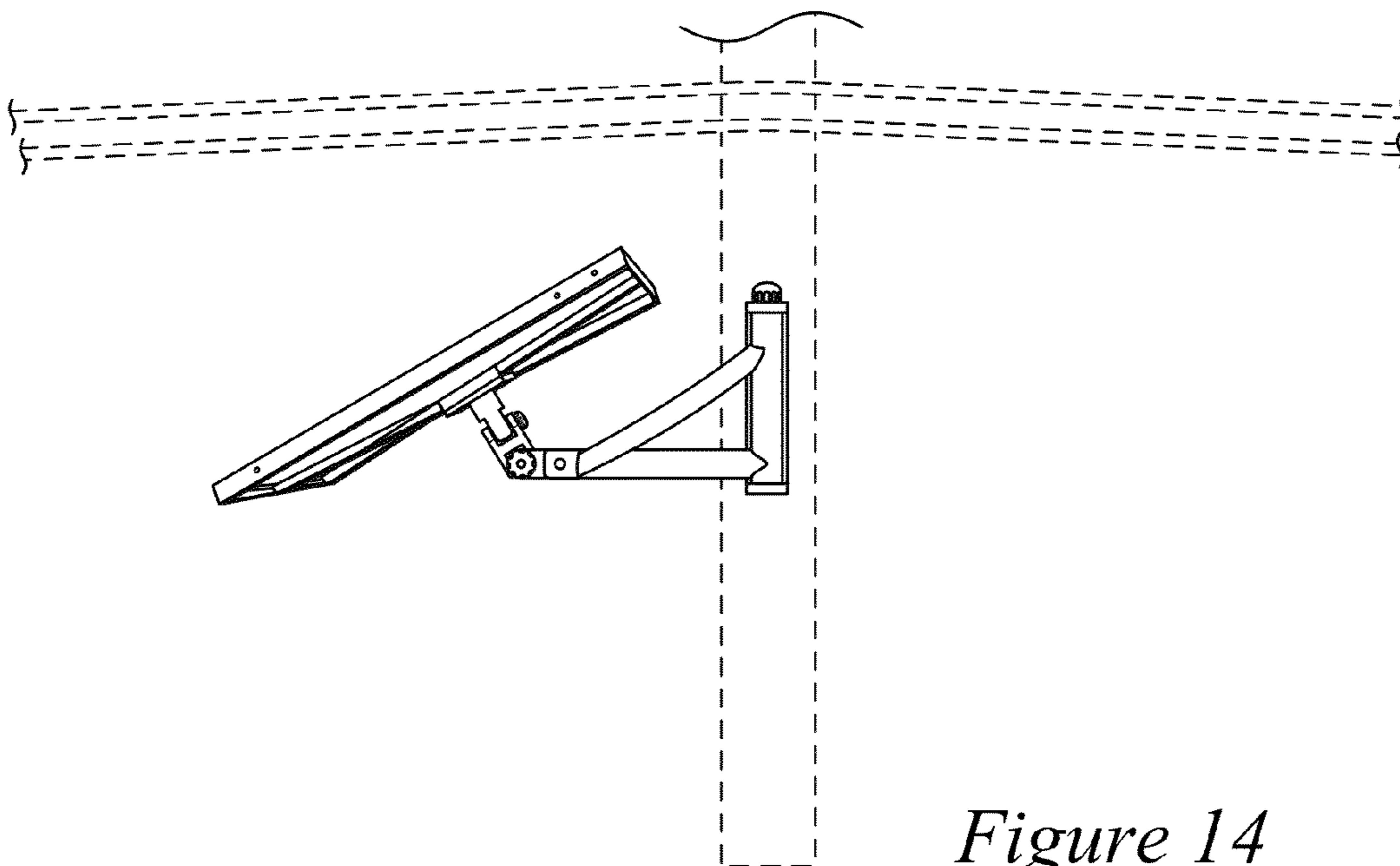


Figure 14

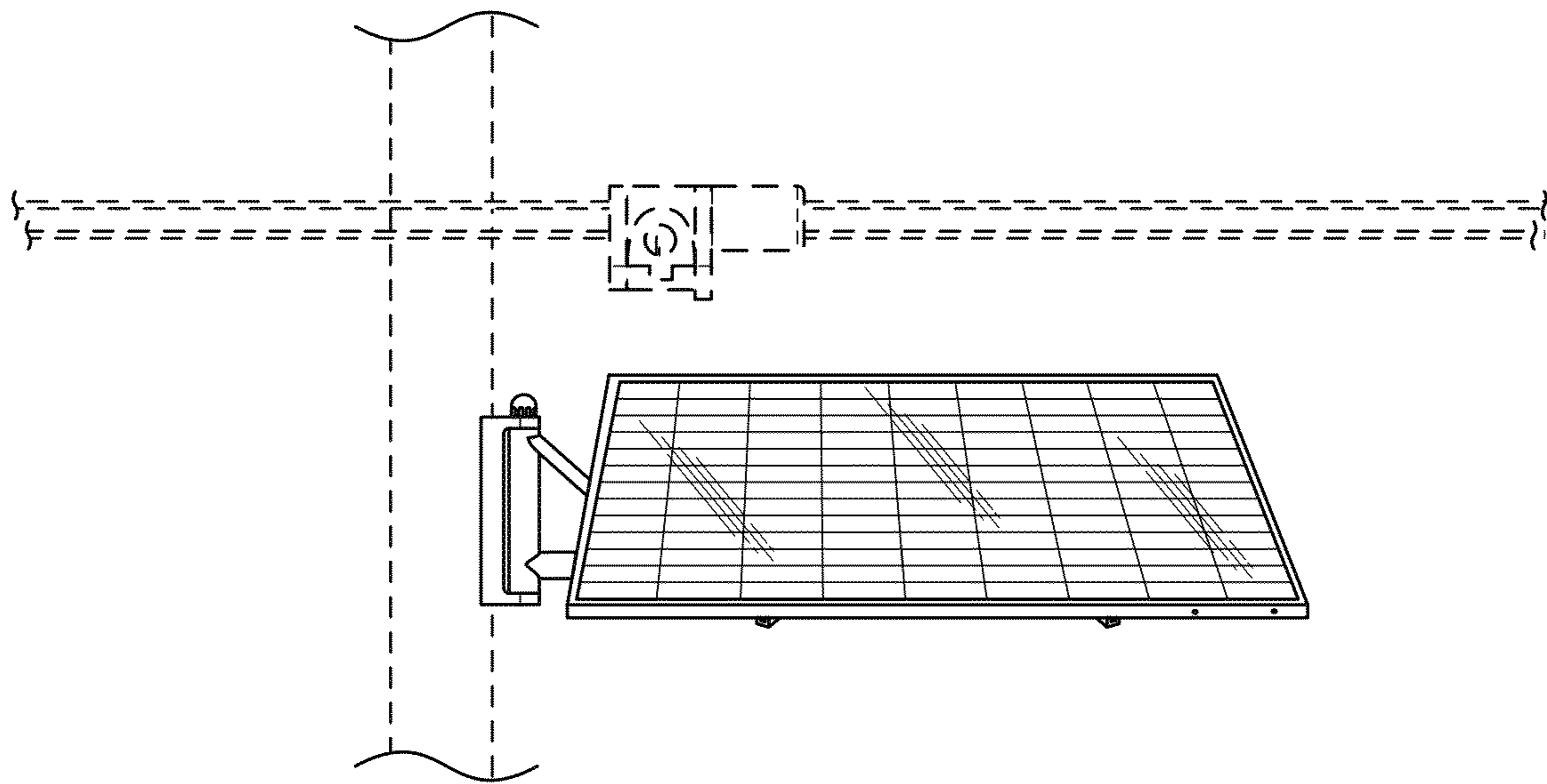


Figure 15