



US00D691021S

(12) **United States Design Patent**
Rand

(10) **Patent No.:** **US D691,021 S**
(45) **Date of Patent:** **** Oct. 8, 2013**

(54) **BASKETBALL KEY**

(76) Inventor: **David W. Rand**, Longmont, CO (US)

(**) Term: **14 Years**

(21) Appl. No.: **29/427,543**

(22) Filed: **Jul. 19, 2012**

(51) **LOC (9) Cl.** **08-07**

(52) **U.S. Cl.**
USPC **D8/348**

(58) **Field of Classification Search**
USPC D8/347, 348, 330; 70/51, 393, 401,
70/405-408, 450, 336, 345, 346, 265, 371,
70/271, 423-430
See application file for complete search history.

(56) **References Cited**

U.S. PATENT DOCUMENTS

D190,598 S *	6/1961	Manzaedo	D8/348
D225,301 S *	12/1972	Silvio et al.	D8/348
4,747,282 A *	5/1988	Nyun	70/426
5,577,403 A *	11/1996	Steeley	70/456 R
D608,618 S *	1/2010	Rand	D8/348
D658,471 S *	5/2012	van der Lande	D8/348

D658,477 S *	5/2012	van der Lande	D8/348
D659,509 S *	5/2012	Dhaliwal	D8/348
D663,607 S *	7/2012	Rand	D8/348

* cited by examiner

Primary Examiner — Prabhakar Deshmukh

(74) *Attorney, Agent, or Firm* — Patent Law Offices of Rick Martin, P.C.

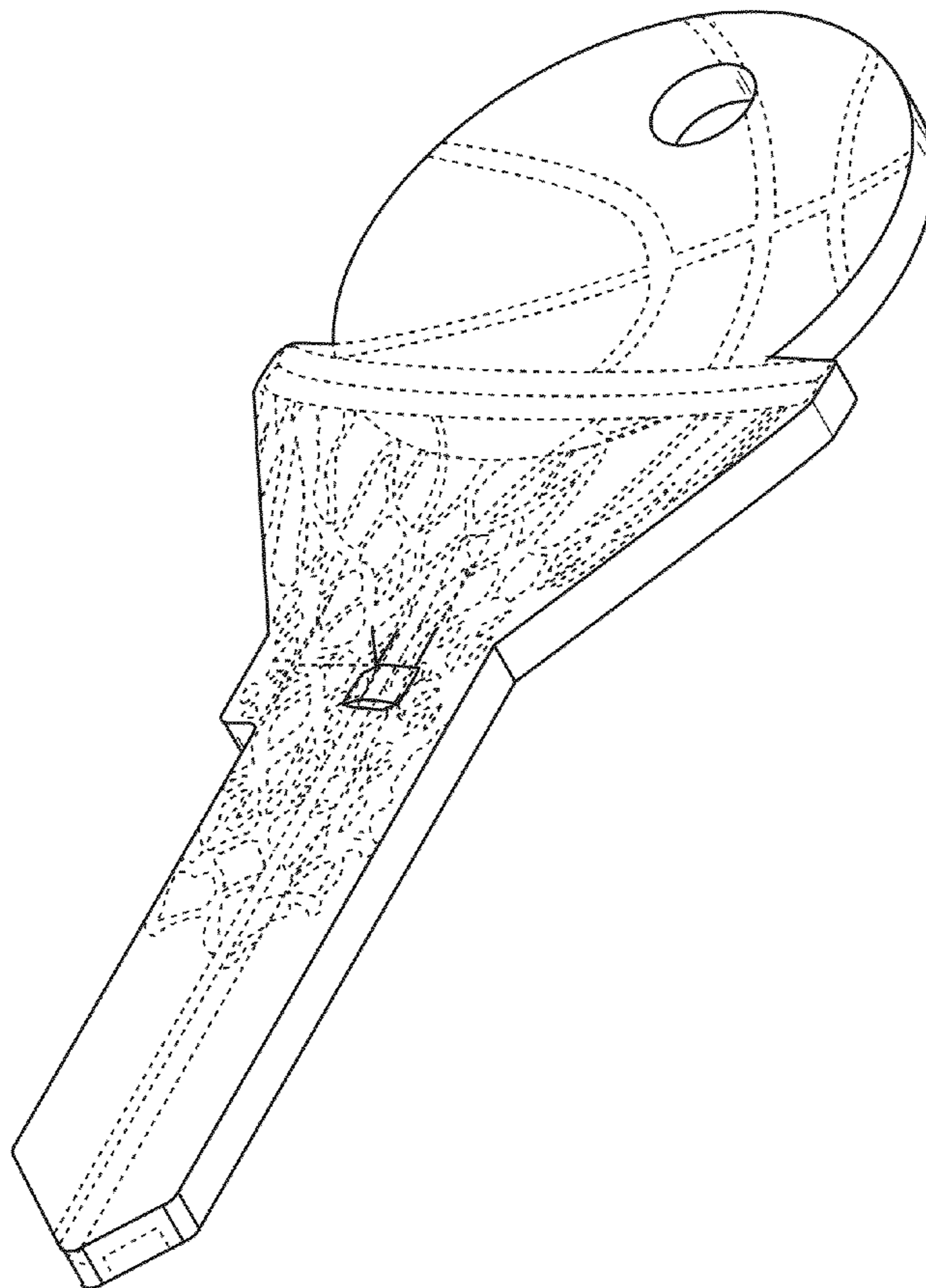
(57) **CLAIM**

The ornamental design for a basketball key, as shown and described.

DESCRIPTION

FIG. 1 is a top perspective view of my new design for a baseball key;
FIG. 2 is a top plan view of my new invention;
FIG. 3 is a bottom plan view of my new invention;
FIG. 4 is a left side elevation view of my new invention;
FIG. 5 is a right side elevation view of my new invention;
FIG. 6 is a front elevation view of my new invention; and,
FIG. 7 is a rear elevation view of my new invention.
The broken lines indicating optional design and/or key grooves are for the purpose of illustration only and form no part of the claimed design.

1 Claim, 3 Drawing Sheets



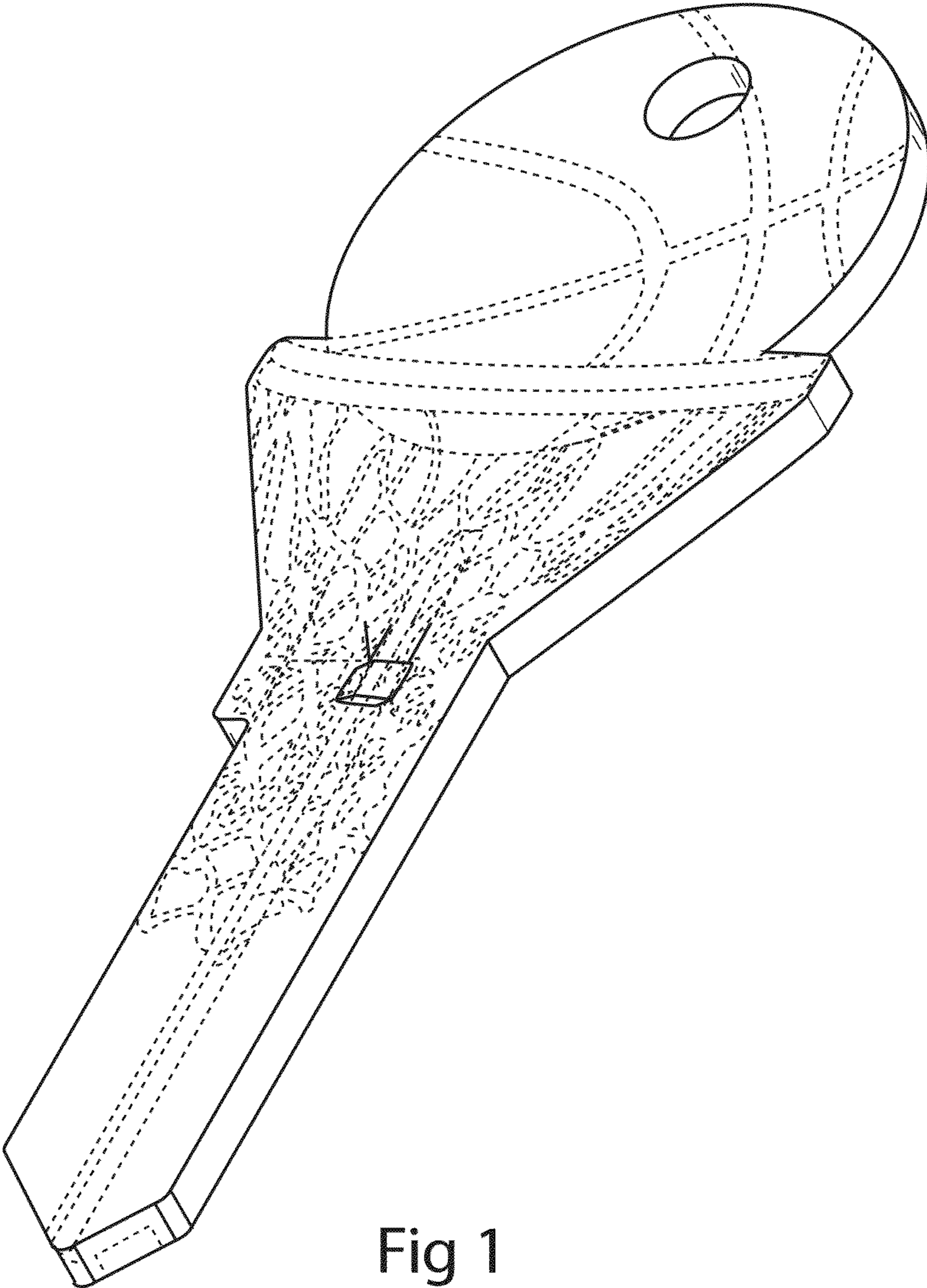


Fig 1

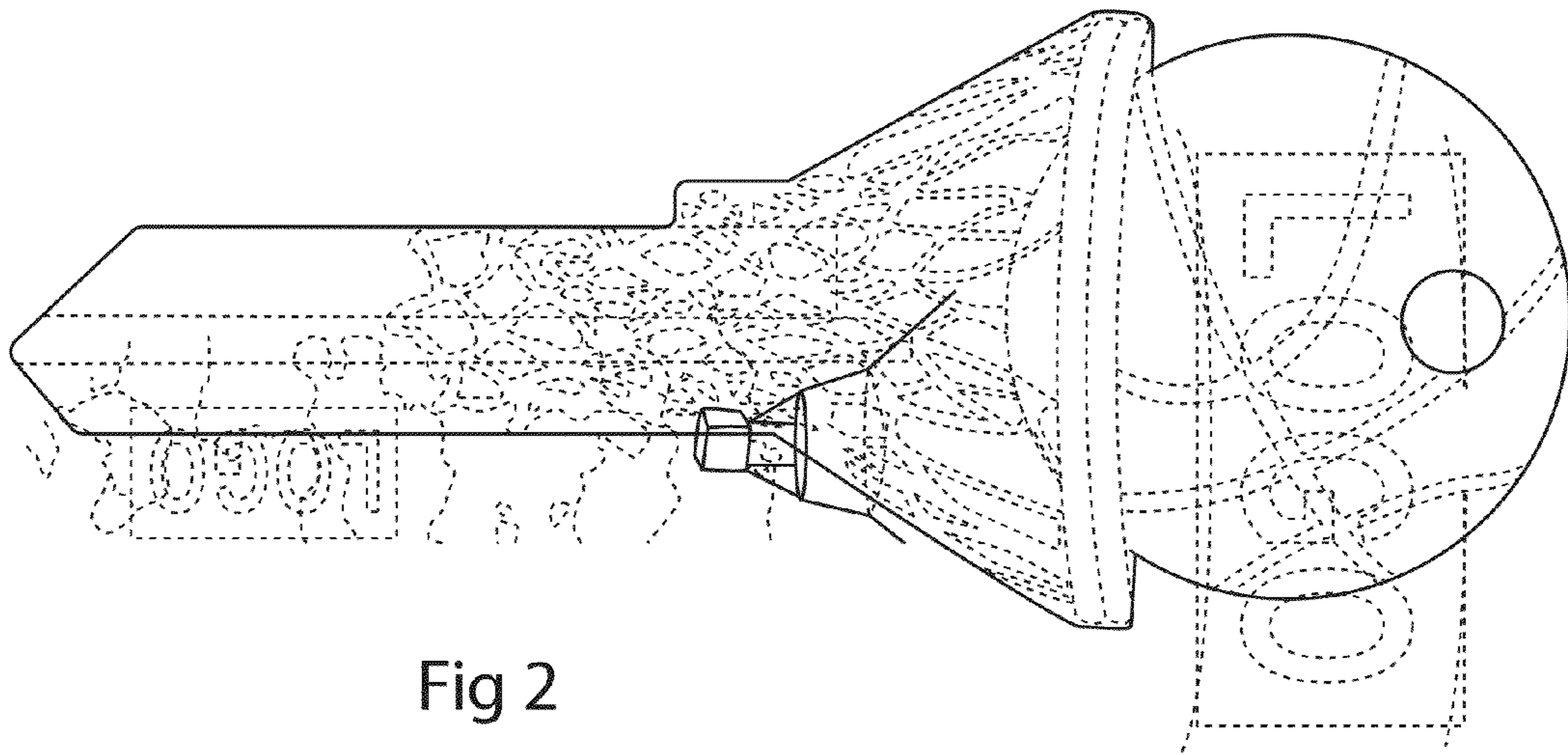


Fig 2

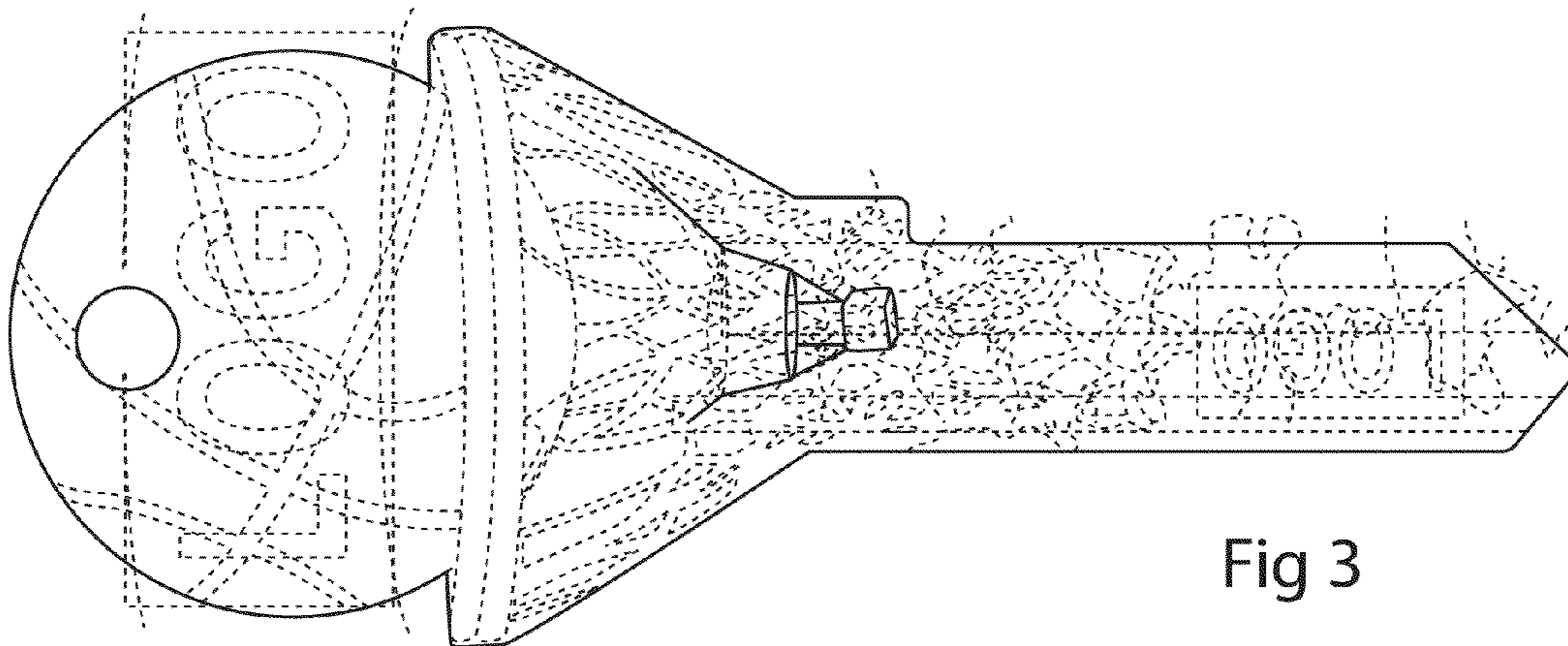


Fig 3

Fig 4



Fig 5



Fig 6



Fig 7



UNITED STATES PATENT AND TRADEMARK OFFICE
CERTIFICATE OF CORRECTION

PATENT NO. : D691,021 S
APPLICATION NO. : 29/427543
DATED : October 8, 2013
INVENTOR(S) : David W. Rand

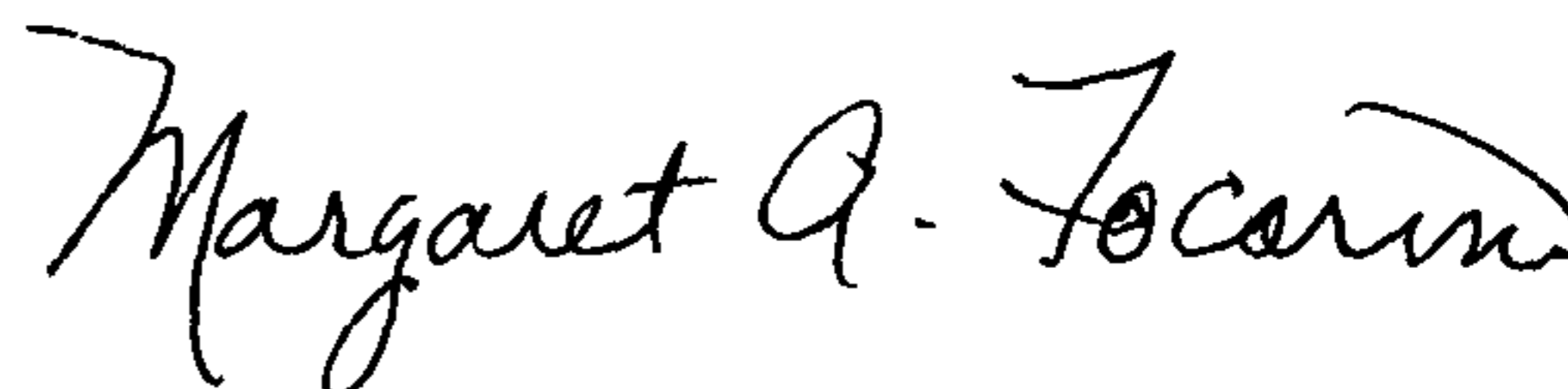
Page 1 of 4

It is certified that error appears in the above-identified patent and that said Letters Patent is hereby corrected as shown below:

IN THE DRAWINGS:

PLEASE REPLACE FIGS. 1-7 WITH THE ATTACHED DRAWINGS.

Signed and Sealed this
Thirty-first Day of December, 2013



Margaret A. Focarino
Commissioner for Patents of the United States Patent and Trademark Office

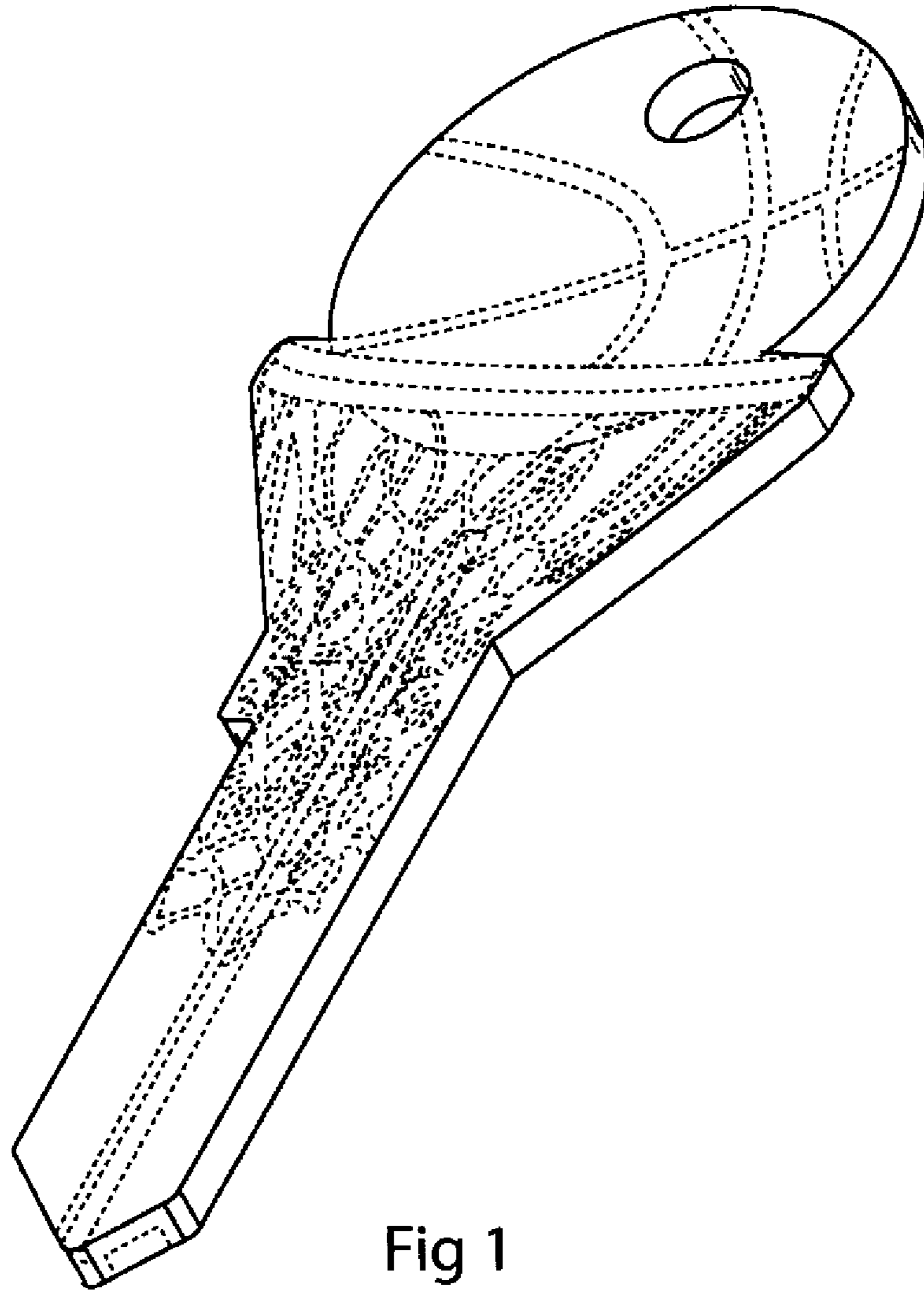


Fig 1

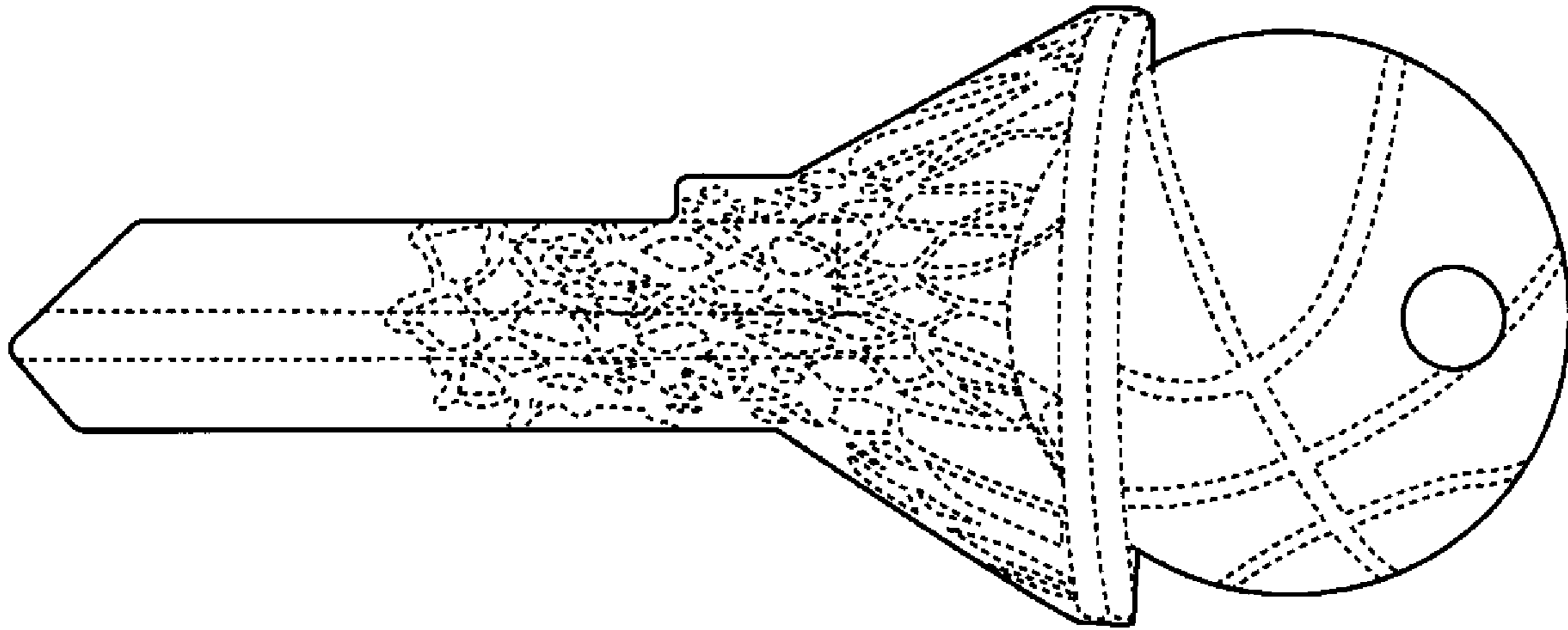


Fig 2

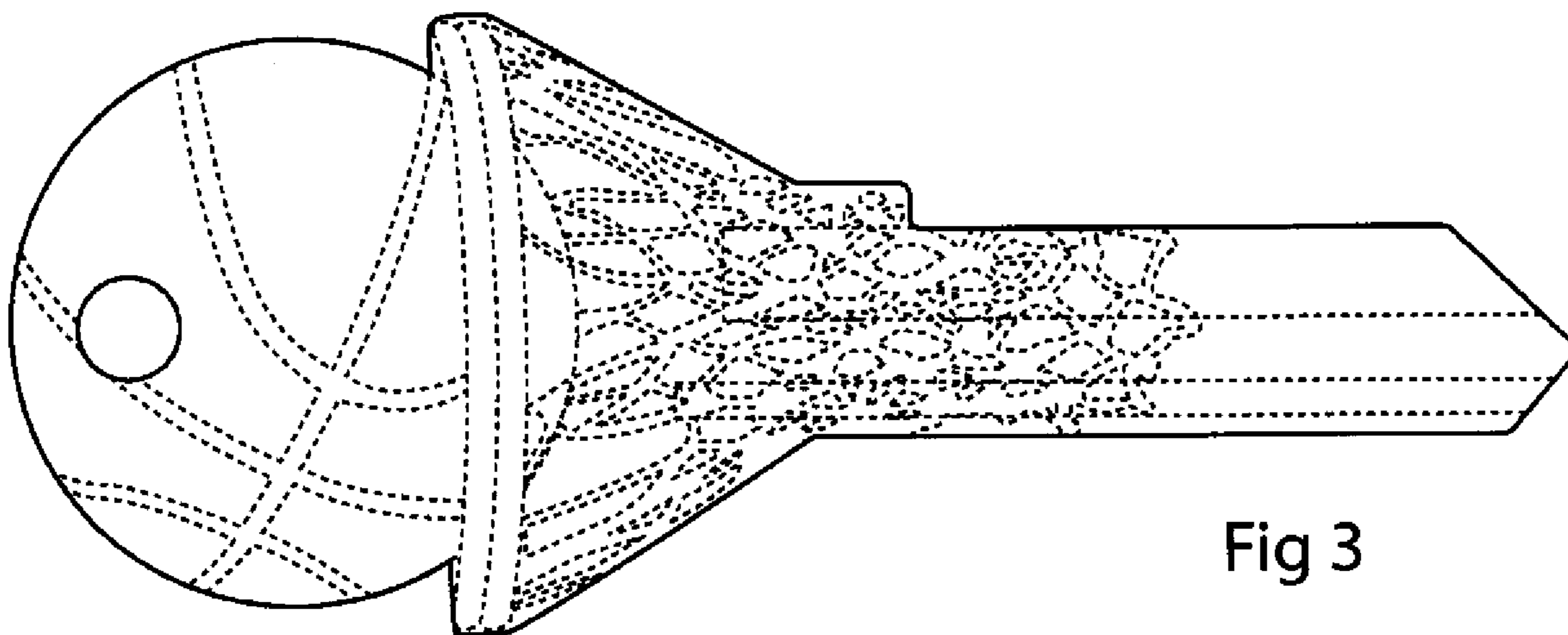


Fig 3

Fig 4

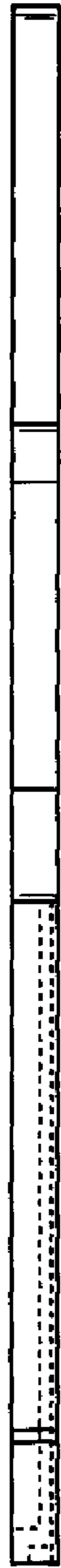


Fig 5

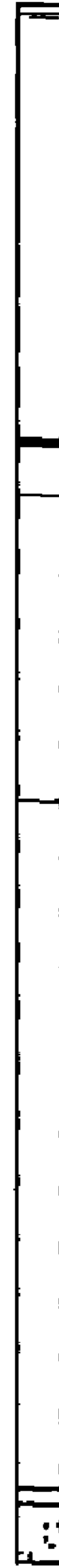


Fig 6



Fig 7

