



US00D691019S

(12) **United States Design Patent**  
**Sakuma**

(10) **Patent No.:** **US D691,019 S**  
(45) **Date of Patent:** **\*\* Oct. 8, 2013**

(54) **HANDLE FOR FURNITURE**

(75) Inventor: **Yuuko Sakuma**, Chiyoda-ku (JP)

(73) Assignee: **Sugatsune Kogyo Co., Ltd.**,  
Chiyoda-Ku (JP)

(\*\*) Term: **14 Years**

(21) Appl. No.: **29/431,002**

(22) Filed: **Aug. 31, 2012**

(30) **Foreign Application Priority Data**

Mar. 5, 2012 (JP) ..... 2012-004914

(51) **LOC (9) Cl.** ..... **08-06**

(52) **U.S. Cl.**  
USPC ..... **D8/314**

(58) **Field of Classification Search**  
USPC ..... D8/300-303, 305-312, DIG. 2, 314,  
D8/319, 316, 313, 315, 317, 318; D7/402,  
D7/405, 393; D6/518-524, 546-550; 74/553,  
74/548, 558.5; 116/309, 315, 311, 312, 319,  
116/320; 200/316, 336; 108/28, 29; 211/13.1,  
211/16, 85.5, 86.01, 87.01, 88.04, 100, 105.1,  
211/105.2, 106, 113, 123, 181.1, 182-183;  
248/49, 175, 176.1, 200, 201, 205.1, 251,  
248/302, 309.1, 315; 242/570, 590, 595-598;  
16/413, 415, 419; 70/77, 85, 132; 292/74,  
292/95, 109, 117, 119, 137, 246, 256, 300;  
312/334.21, 348.6

See application file for complete search history.

(56) **References Cited**

**U.S. PATENT DOCUMENTS**

D99,046 S \* 3/1936 Rettich ..... D8/310  
D149,378 S \* 4/1948 Rummelsburg ..... D8/319  
D167,151 S \* 7/1952 Koch ..... D8/314  
D184,620 S \* 3/1959 Heyer et al. .... D8/307  
D195,823 S \* 8/1963 Clayton ..... D8/307

D199,051 S \* 9/1964 Stone ..... D8/319  
D216,944 S \* 3/1970 Webster ..... D8/314  
D230,251 S \* 2/1974 Waldo ..... D8/314  
D326,509 S \* 5/1992 Yvetot ..... D23/303  
D370,384 S \* 6/1996 Shamis ..... D7/393  
D384,570 S \* 10/1997 Edwards ..... D8/307  
D411,793 S \* 7/1999 O'Neil ..... D8/305  
D416,465 S \* 11/1999 O'Neil ..... D8/314  
D423,903 S \* 5/2000 Keller ..... D8/314  
D450,509 S \* 11/2001 Gottwald ..... D6/546  
D484,722 S \* 1/2004 Goodman et al. .... D6/546  
D510,231 S \* 10/2005 Coudurier ..... D7/393  
D600,960 S \* 9/2009 Krumpe ..... D6/546

\* cited by examiner

*Primary Examiner* — Mark Goodwin

(74) *Attorney, Agent, or Firm* — Masuvalley & Partners

(57) **CLAIM**

The ornamental design for a handle for furniture, as shown and described.

**DESCRIPTION**

FIG. 1 is a front perspective view of the handle for furniture according to the invention;

FIG. 2 is a front elevation view of the handle for furniture as shown in FIG. 1;

FIG. 3 is a top plan view of the handle for furniture of FIG. 1; FIG. 4 is a bottom plan view of the handle for furniture of FIG. 1;

FIG. 5 is a right side elevation view of the handle for furniture of FIG. 1, with the left side elevation view being identical;

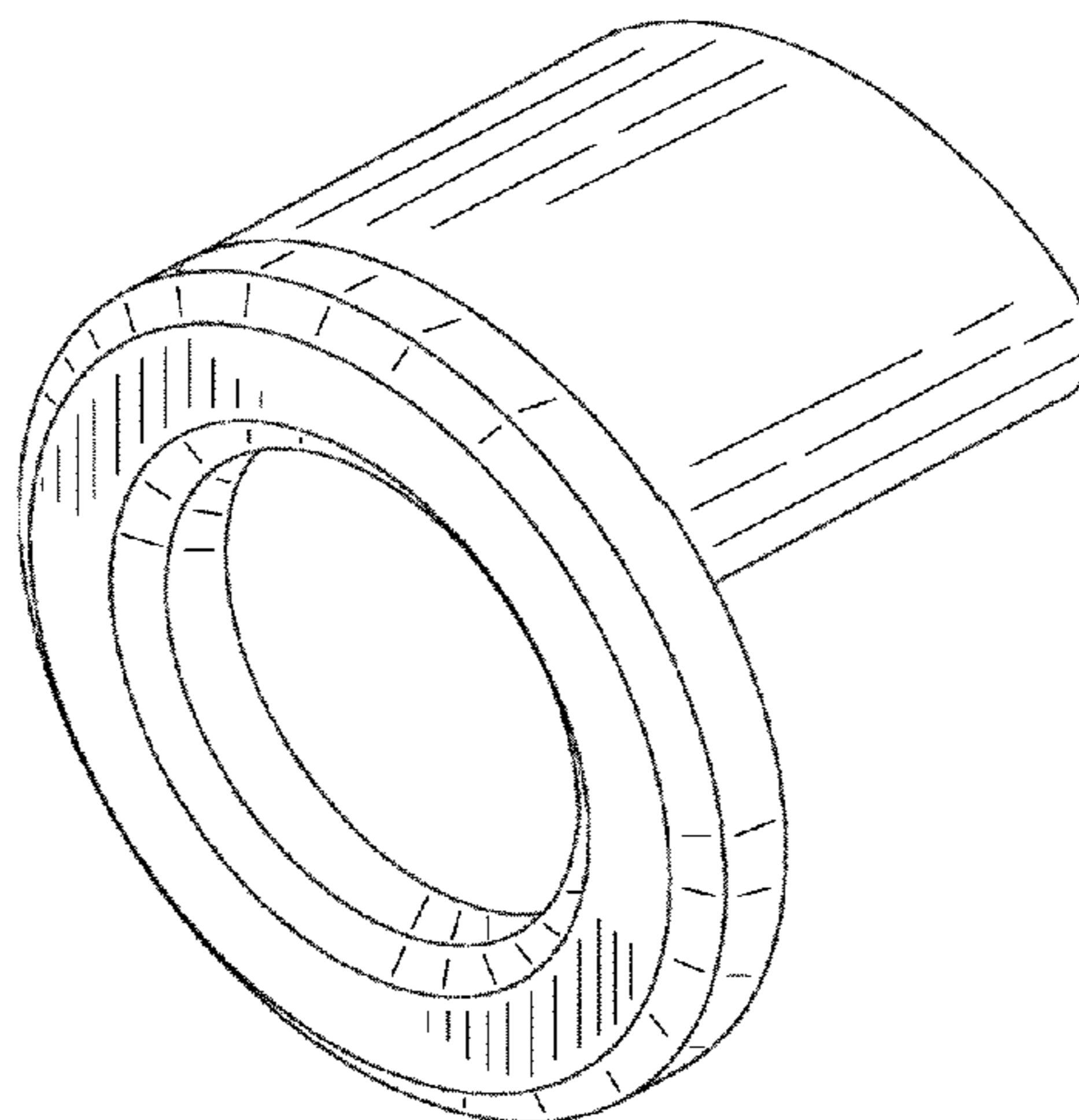
FIG. 6 is a rear elevation view of the handle for furniture of FIG. 1;

FIG. 7 is a cross-sectional view of the handle for furniture through line 7-7 shown in FIG. 6;

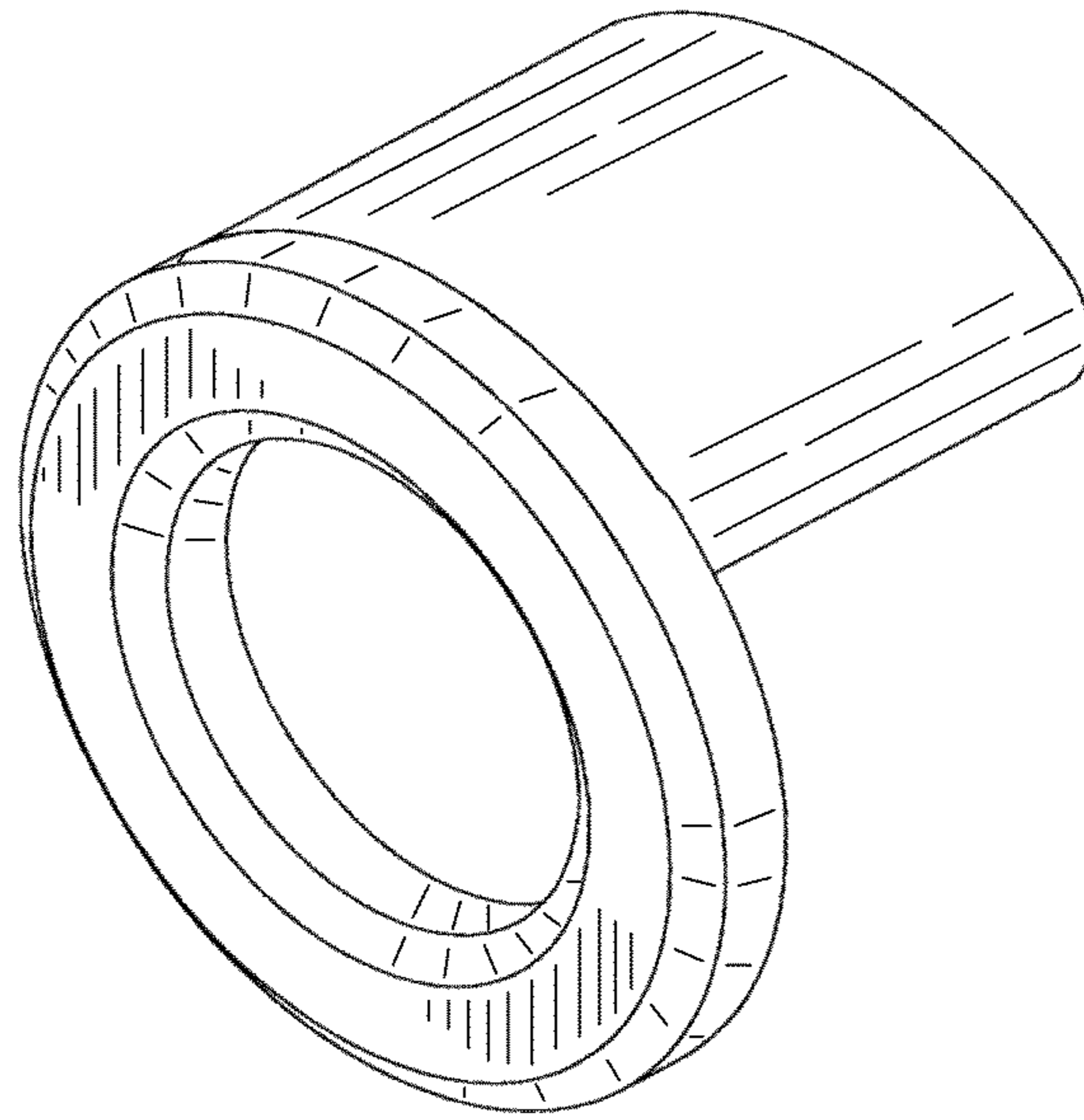
FIG. 8 is a cross-sectional view of the handle for furniture through line 8-8 shown in FIG. 6; and,

FIG. 9 is a cross-sectional view of the handle for furniture through line 9-9 shown in FIG. 6.

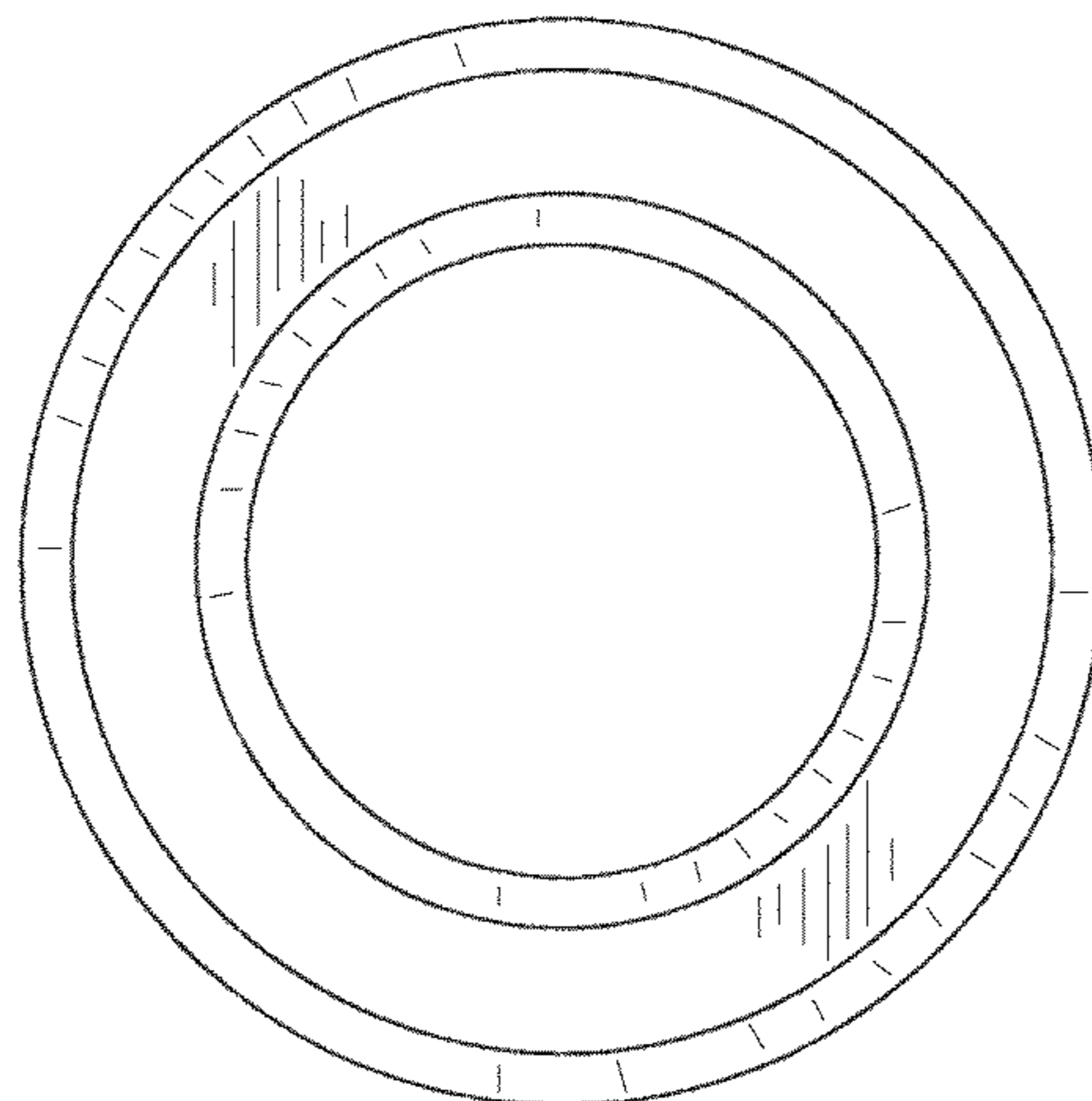
**1 Claim, 5 Drawing Sheets**



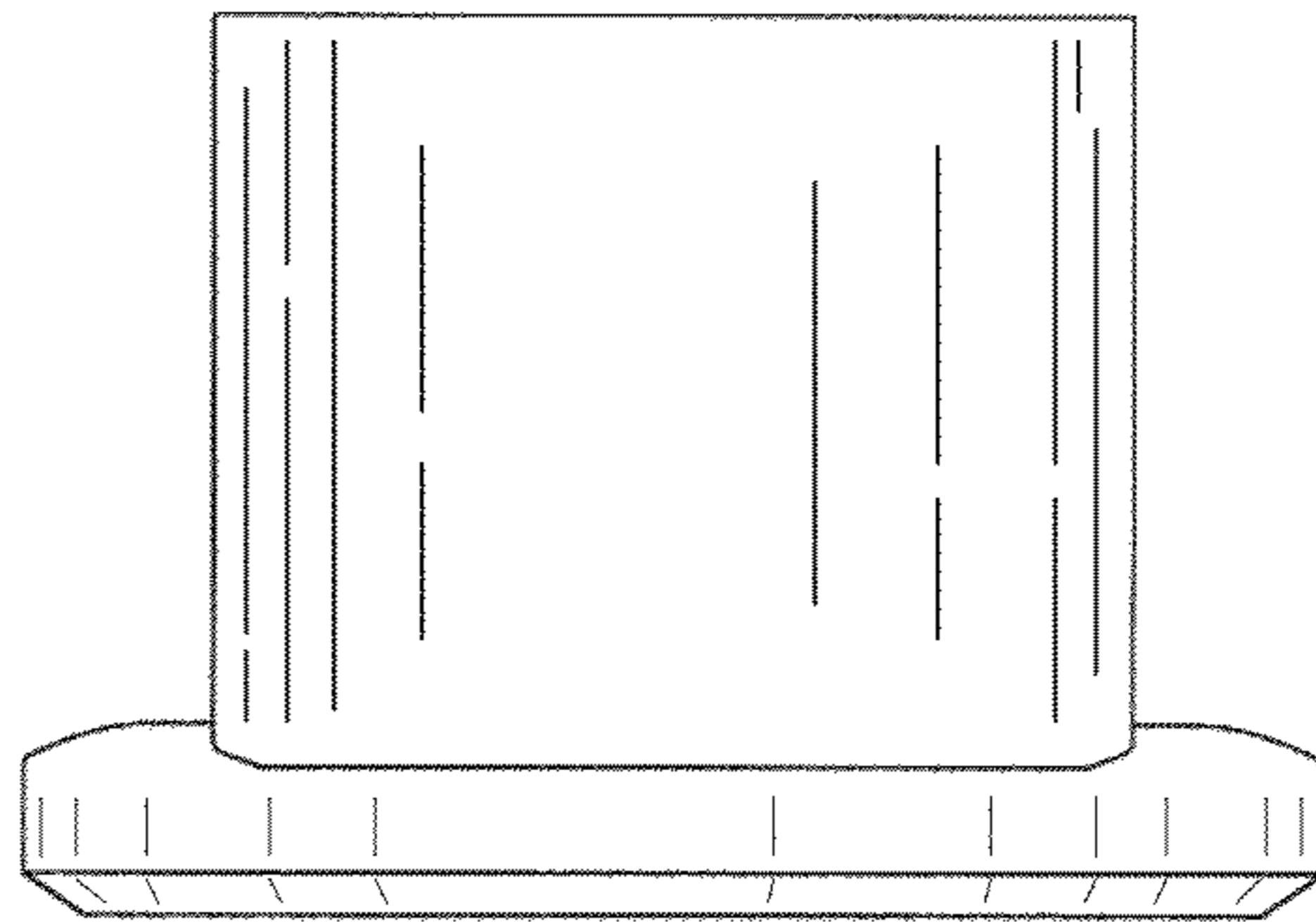
**Fig.1**



**Fig.2**



**Fig.3**



**Fig.4**

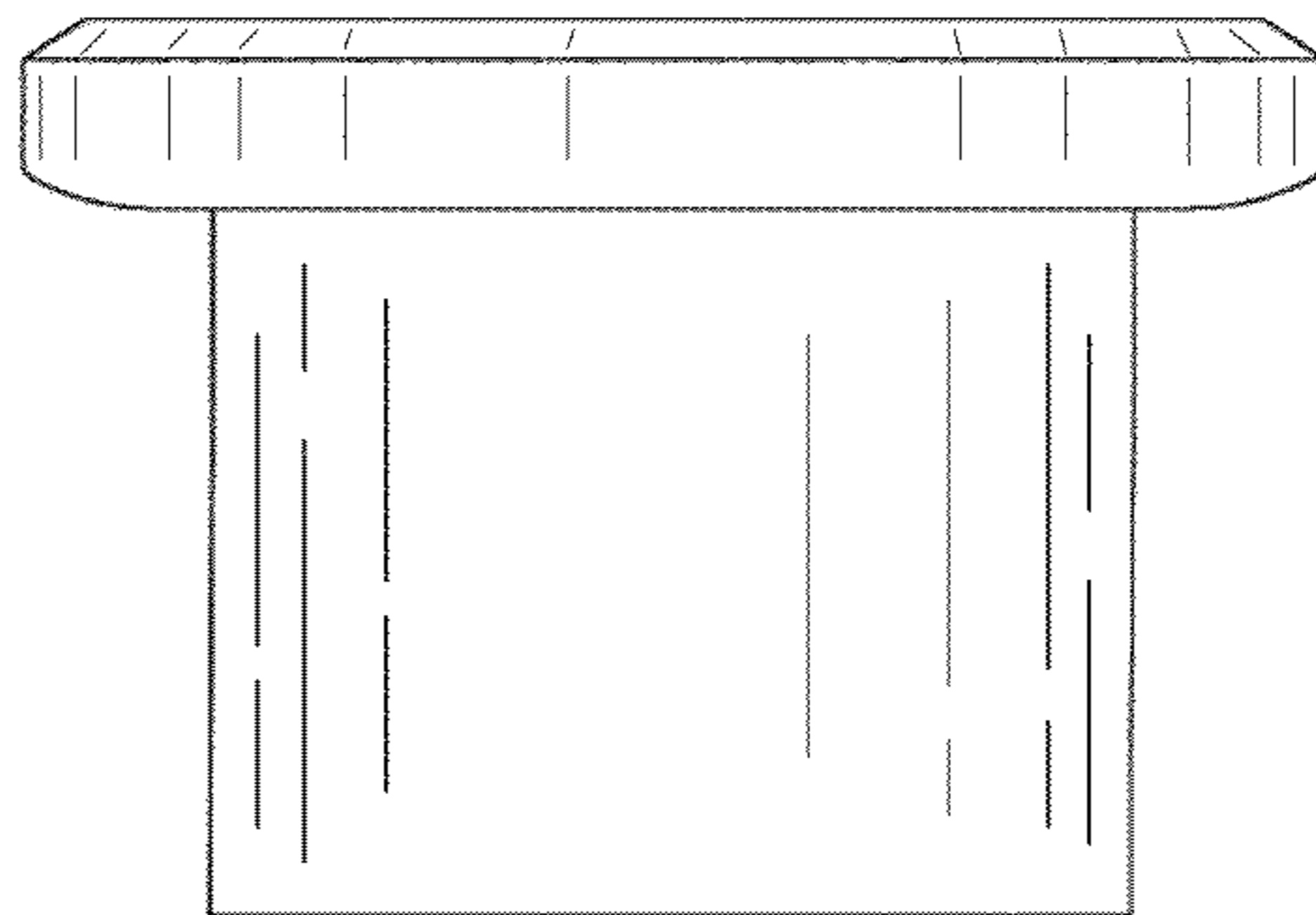


Fig.5

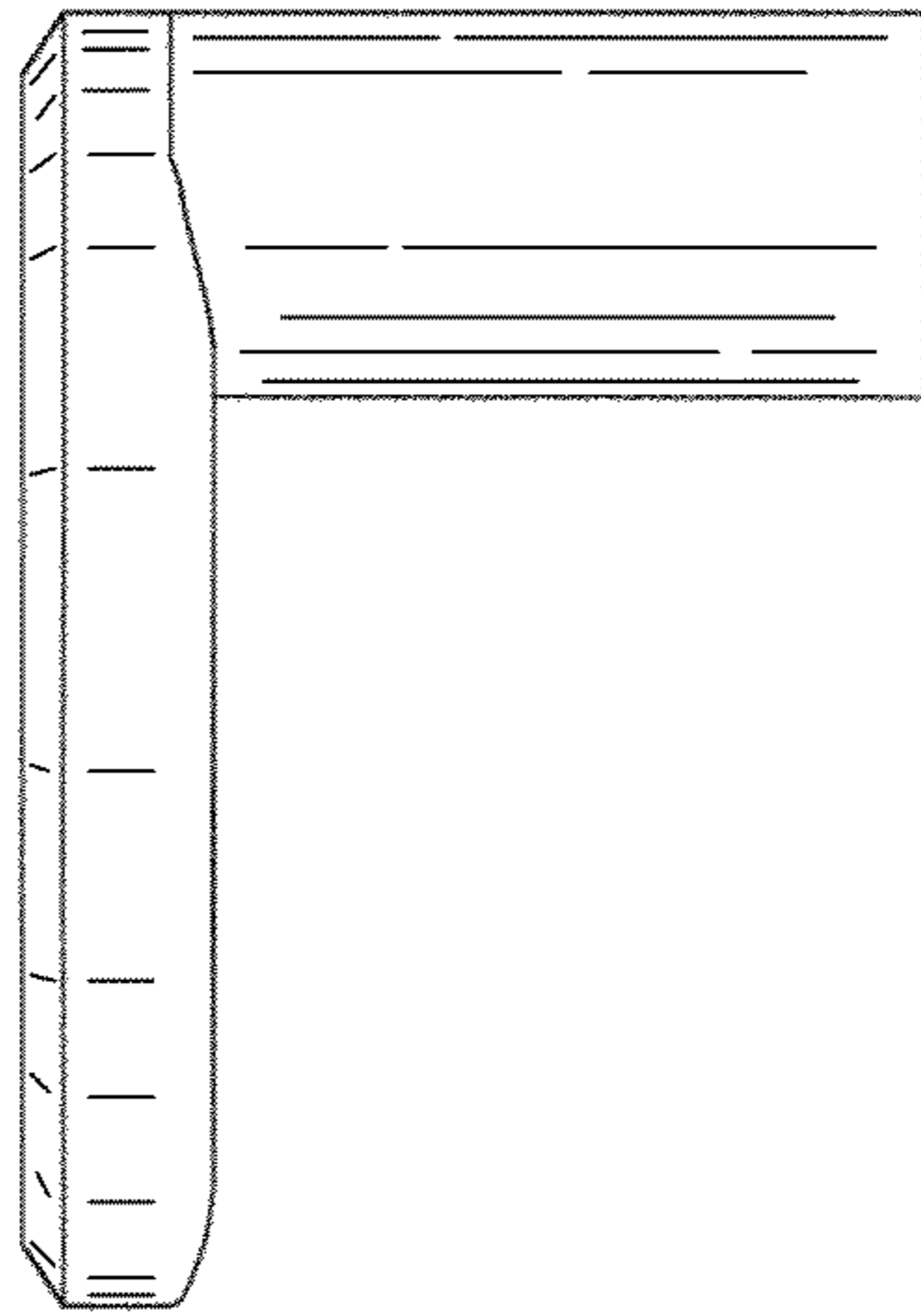


Fig.6

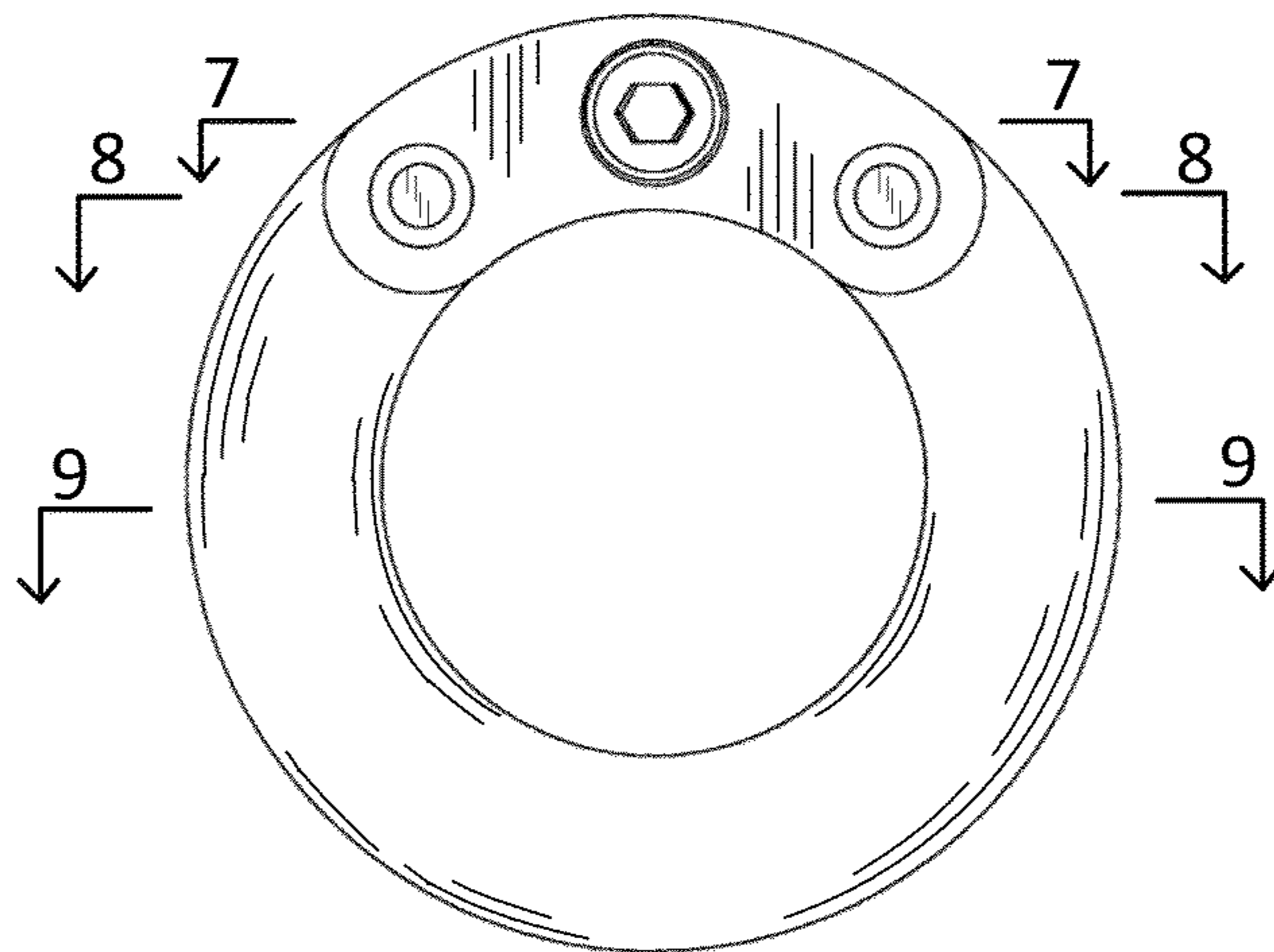


Fig.7

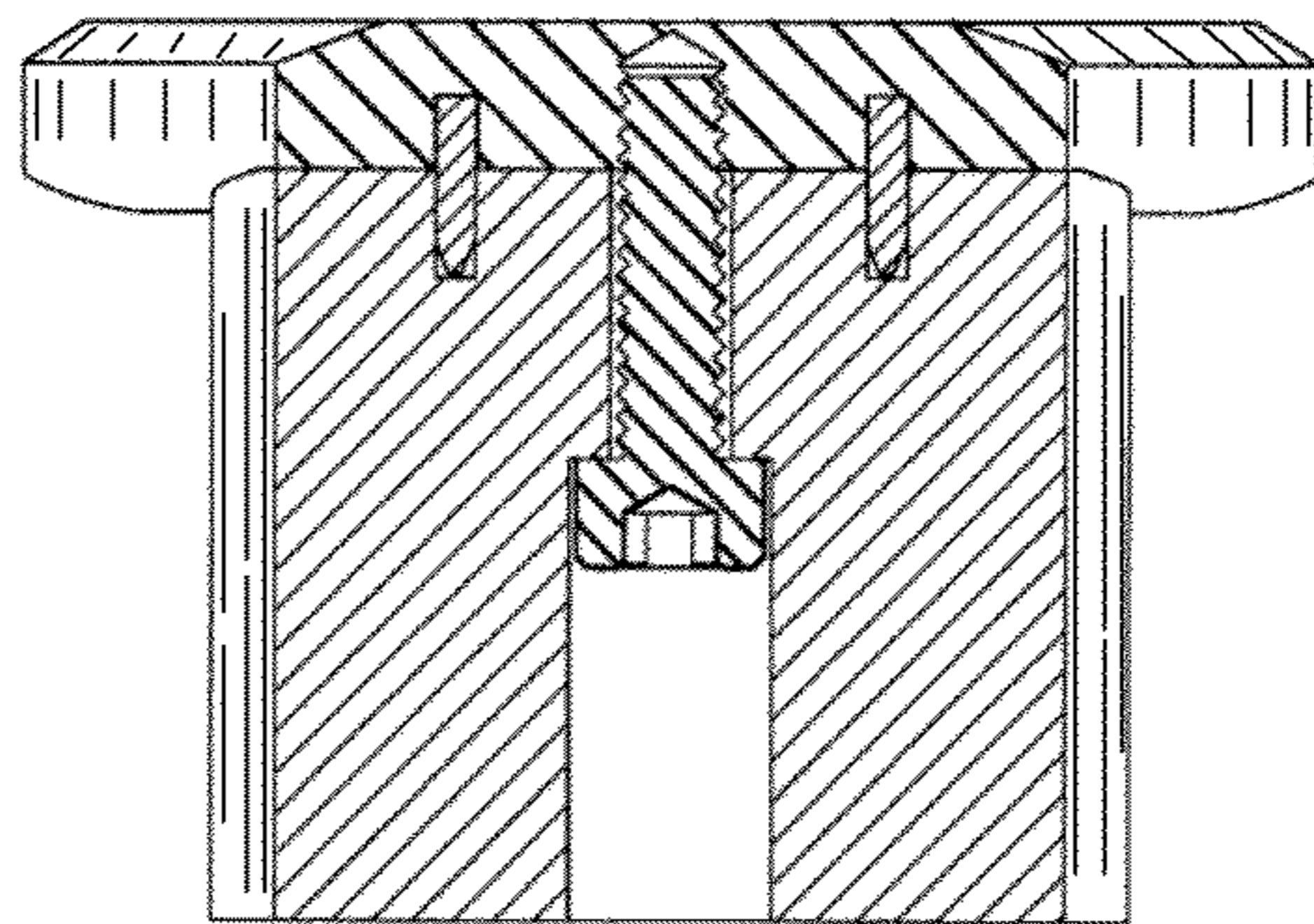


Fig.8

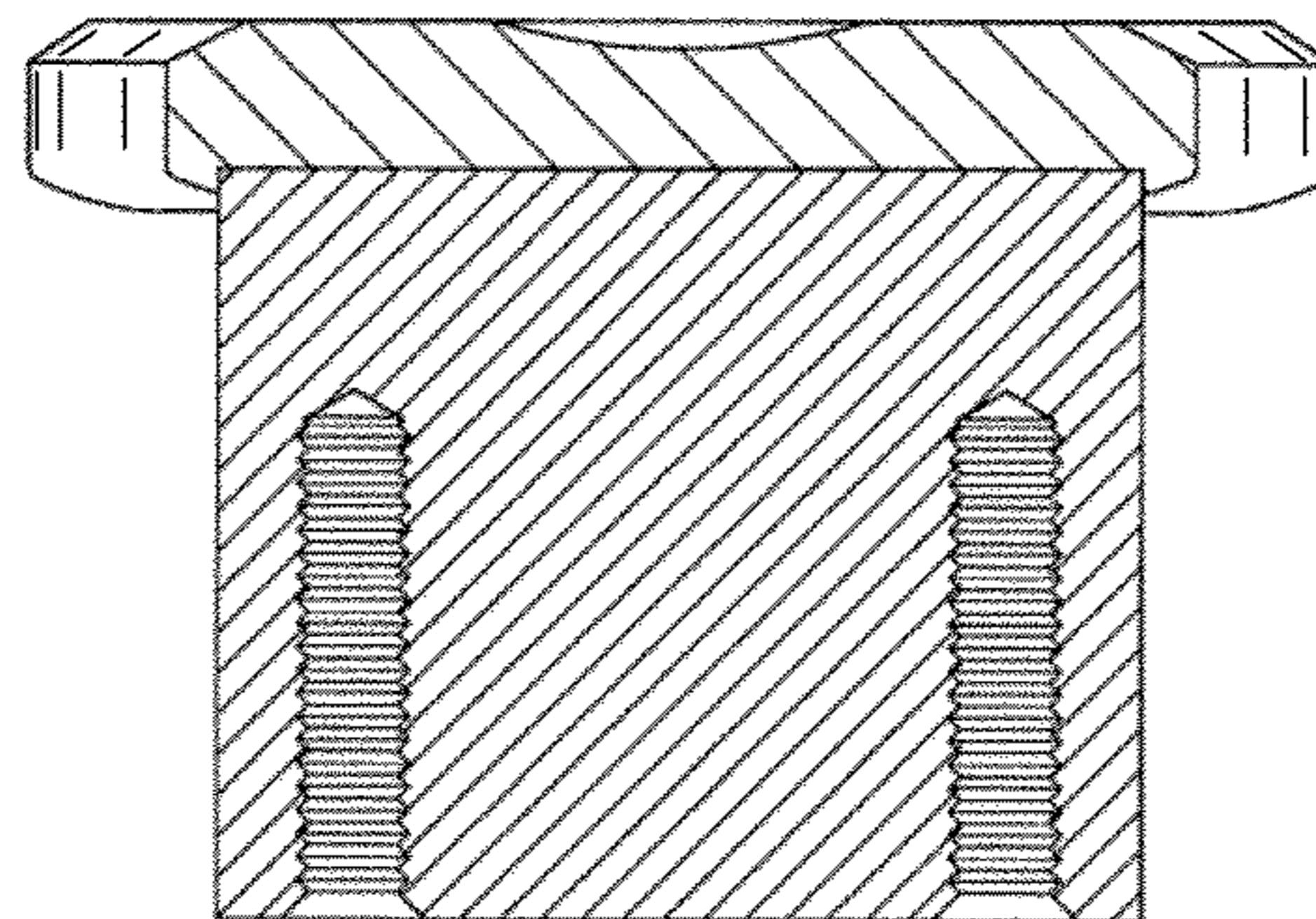


Fig.9

