



US00D691018S

(12) **United States Design Patent**
Robinson et al.

(10) **Patent No.:** **US D691,018 S**

(45) **Date of Patent:** **** Oct. 8, 2013**

(54) **UTILITY KNIFE**

(75) Inventors: **Glenn Robinson**, Parkland, FL (US);
Michael Garcia, Coral Springs, FL (US)

(73) Assignee: **IBT Holdings, LLC**, Deerfield Beach,
FL (US)

(**) Term: **14 Years**

(21) Appl. No.: **29/373,720**

(22) Filed: **May 16, 2011**

(51) **LOC (9) Cl.** **08-03**

(52) **U.S. Cl.**
USPC **D8/99**

(58) **Field of Classification Search**
USPC D8/95-99, 105, 107; D22/118;
30/154-162, 329-331, 339
See application file for complete search history.

(56) **References Cited**

U.S. PATENT DOCUMENTS

D495,228	S *	8/2004	Scarla	D8/99
6,968,622	B2 *	11/2005	Ping	30/156
D517,893	S *	3/2006	Ping	D8/99
7,007,392	B2 *	3/2006	Ping	30/156
D519,019	S *	4/2006	Ping	D8/99
7,040,022	B2 *	5/2006	Ping	30/161
D545,165	S *	6/2007	Ping	D8/99
D554,964	S *	11/2007	Taylor	D8/99
D572,562	S *	7/2008	Hawk et al.	D8/99
D599,640	S *	9/2009	Yang-Fu	D8/99
D599,641	S *	9/2009	Yang-Fu	D8/99

D600,090	S *	9/2009	Yang-Fu	D8/99
D632,154	S *	2/2011	Yang-Fu	D8/99
2009/0165308	A1 *	7/2009	Howard	30/153
2011/0023308	A1 *	2/2011	Ping	30/161
2011/0167647	A1 *	7/2011	Gringer et al.	30/156
2012/0023753	A1 *	2/2012	Wen	30/156
2012/0030949	A1 *	2/2012	Ping	30/156

* cited by examiner

Primary Examiner — Philip S Hyder

Assistant Examiner — Roselynn Ulm Cody

(74) *Attorney, Agent, or Firm* — Dan M. DeLaRosa

(57) **CLAIM**

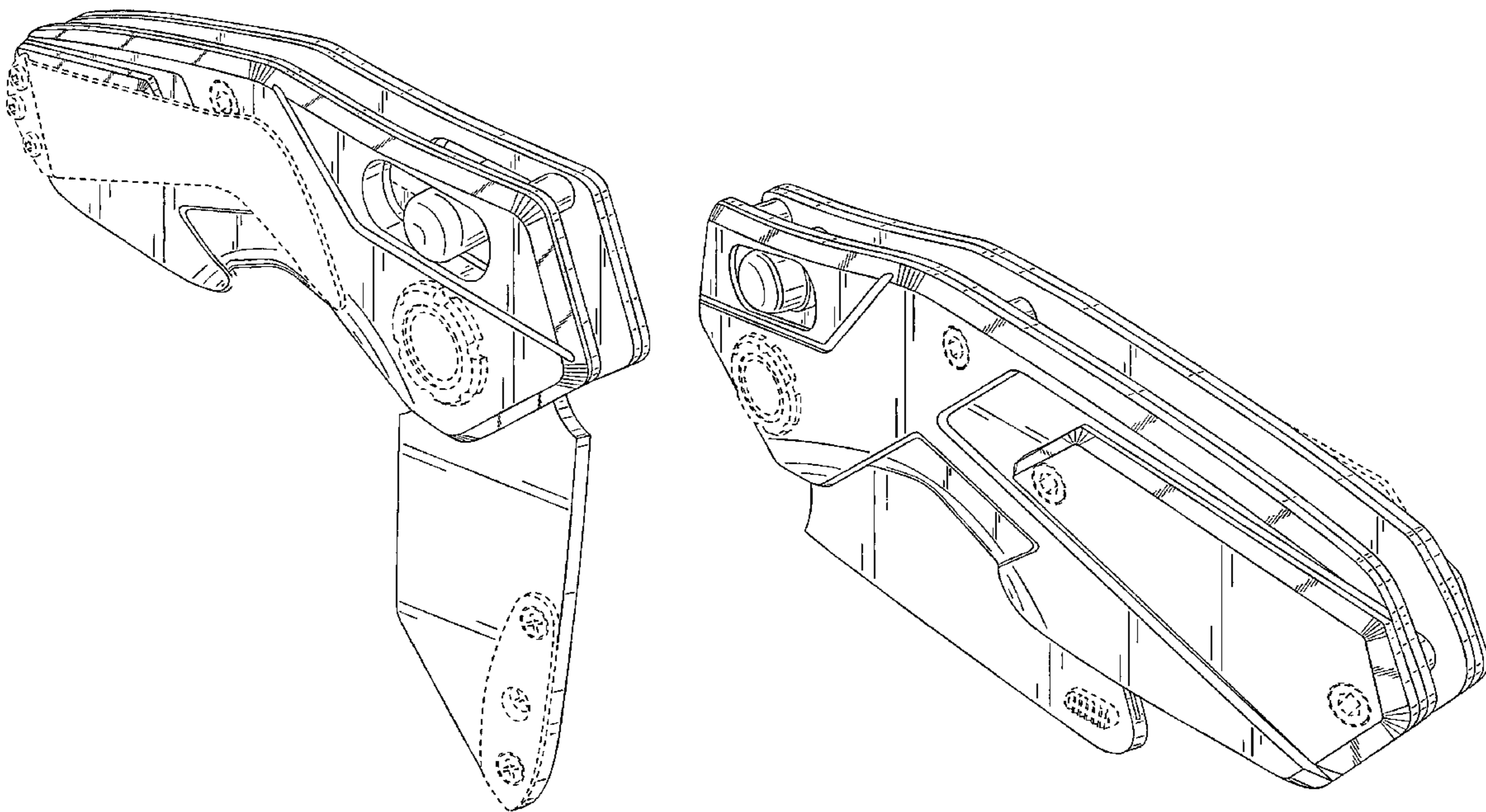
The ornamental design for a utility knife, as shown and described.

DESCRIPTION

FIG. 1 is a front perspective view of the utility knife of the present invention showing my new design; FIG. 2 is a side elevational view thereof; FIG. 3 is an opposite side elevational view thereof; FIG. 4 is a back elevational view thereof; FIG. 5 is a front elevational view thereof; FIG. 6 is a top plan view thereof; FIG. 7 is a bottom plan view thereof; and FIG. 8 is a back perspective view of the utility knife of the present invention; and, FIG. 9 is a front perspective view of the utility knife in a folded position.

The broken lines in the drawings illustrate features of the utility knife that form no part of the claim.

1 Claim, 6 Drawing Sheets



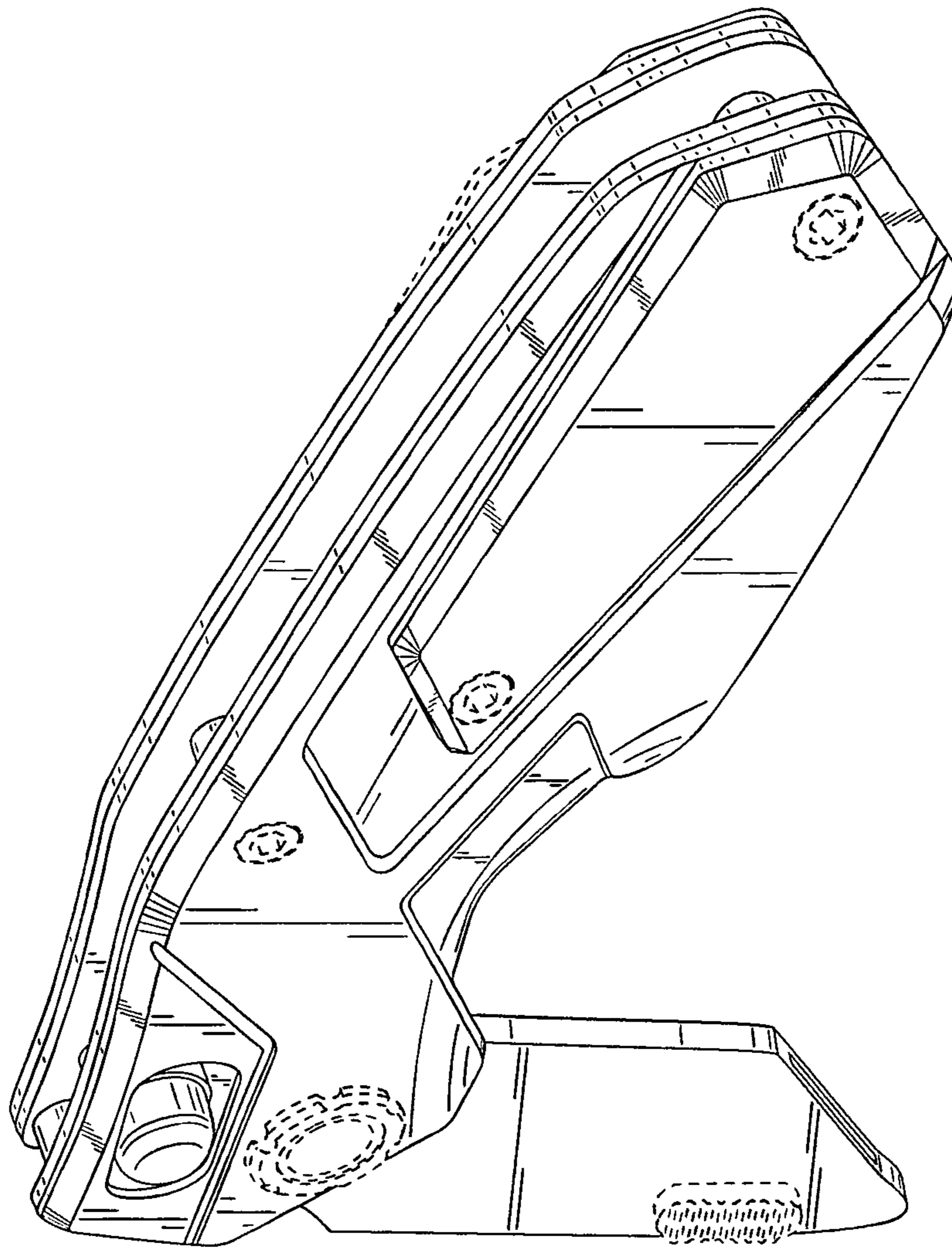


FIG. 1

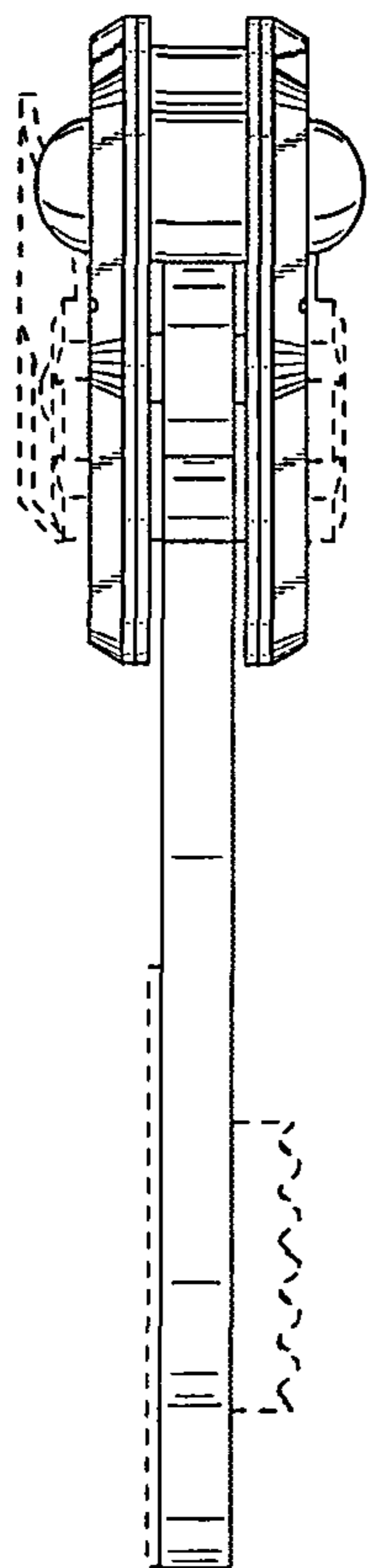


FIG. 2

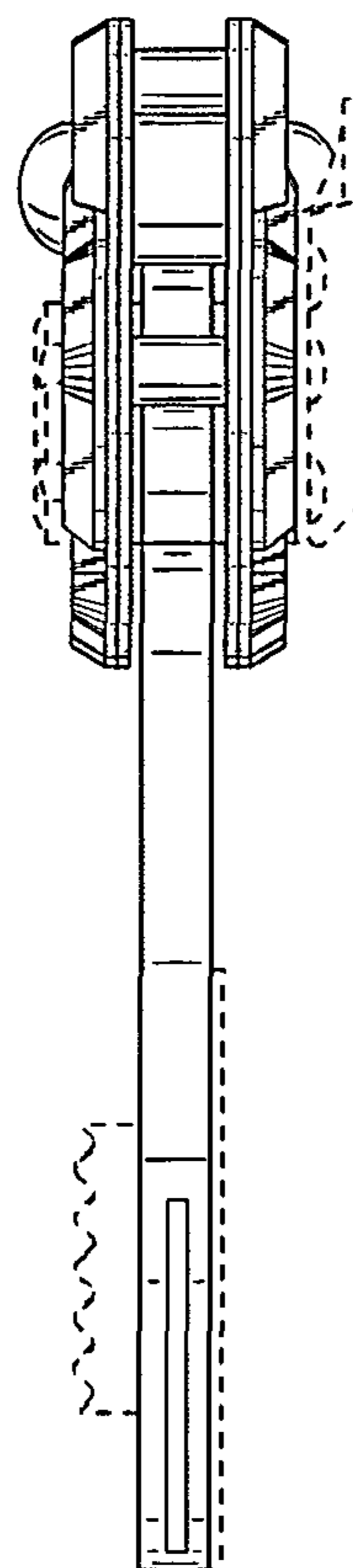


FIG. 3

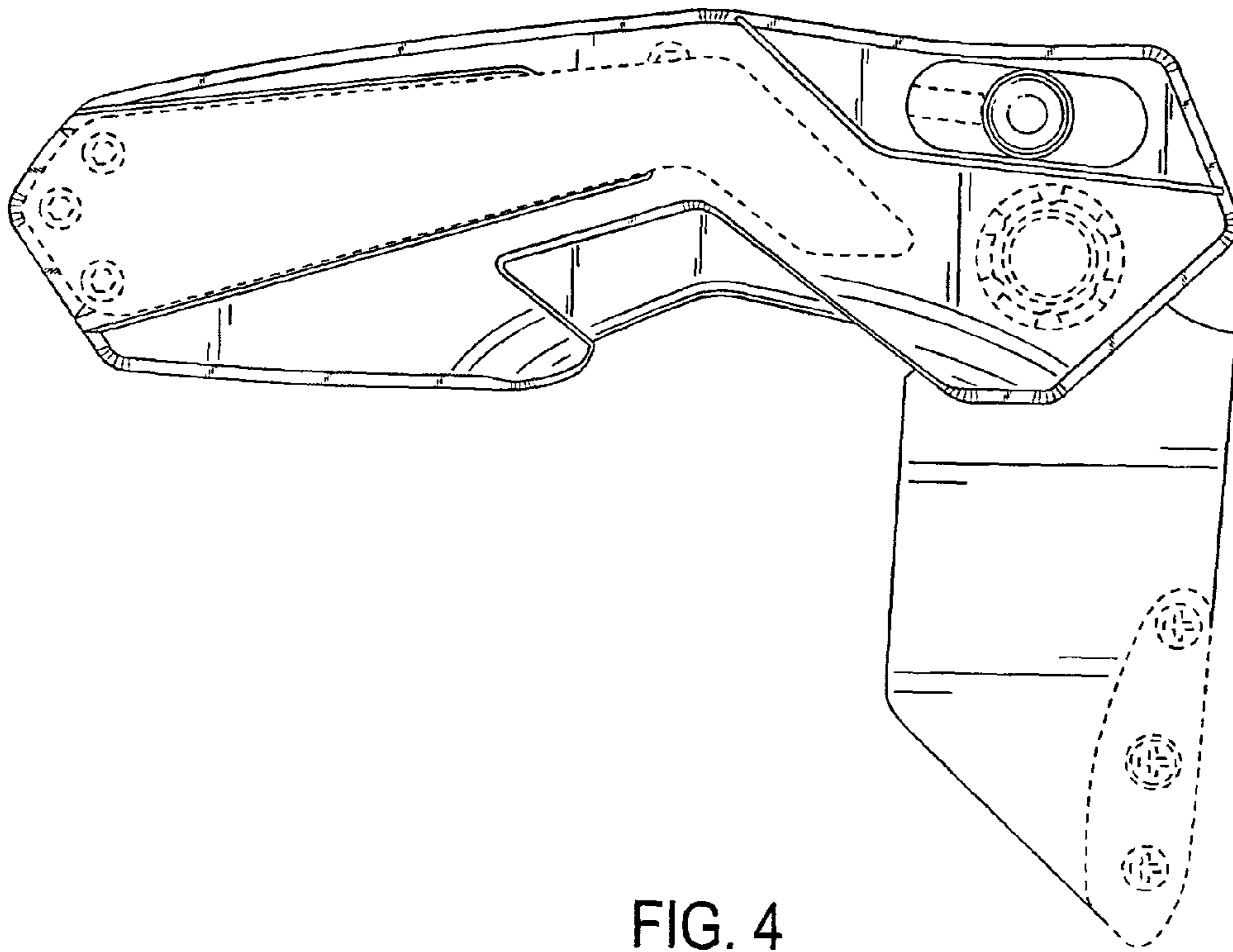


FIG. 4

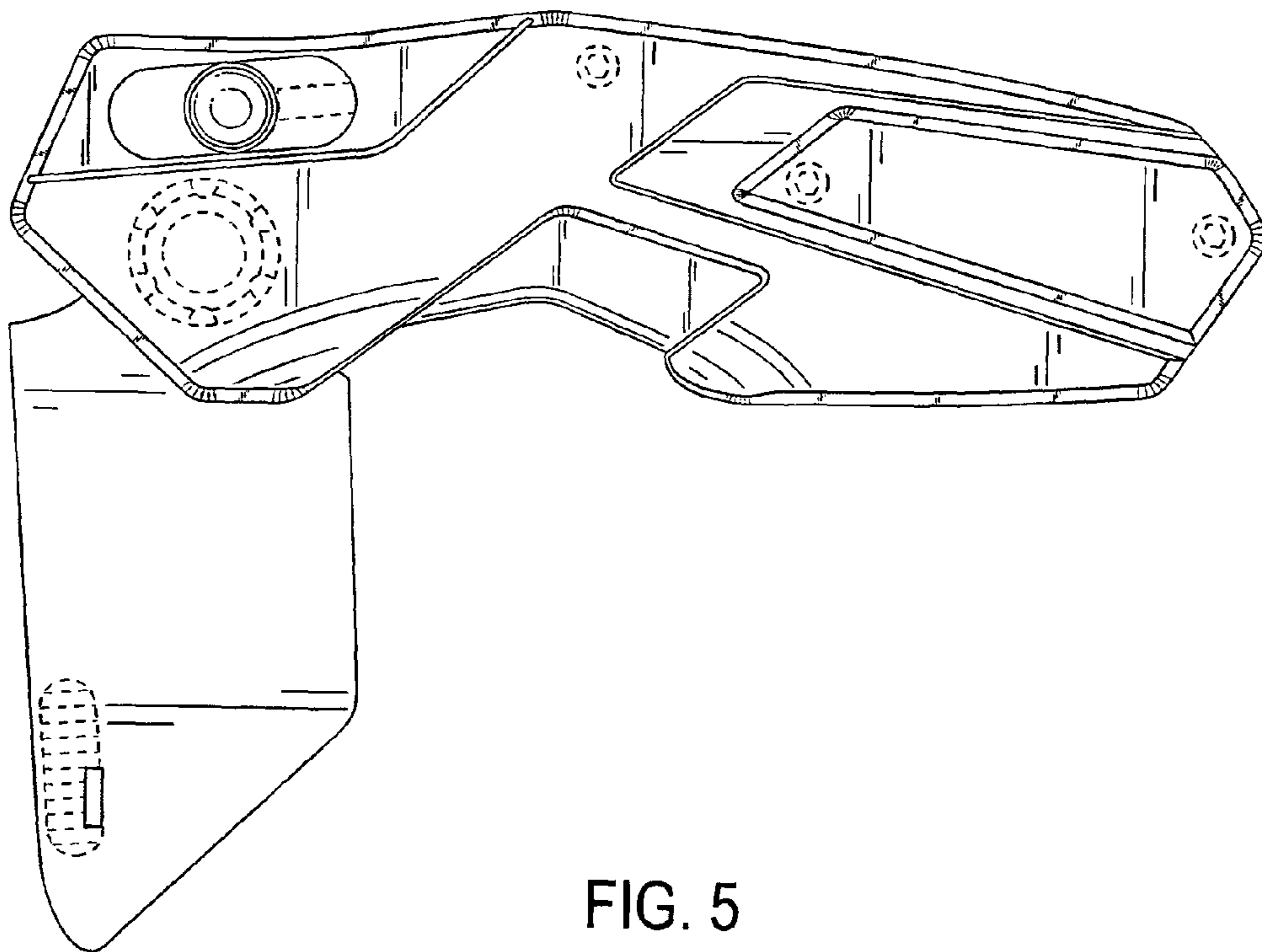


FIG. 5

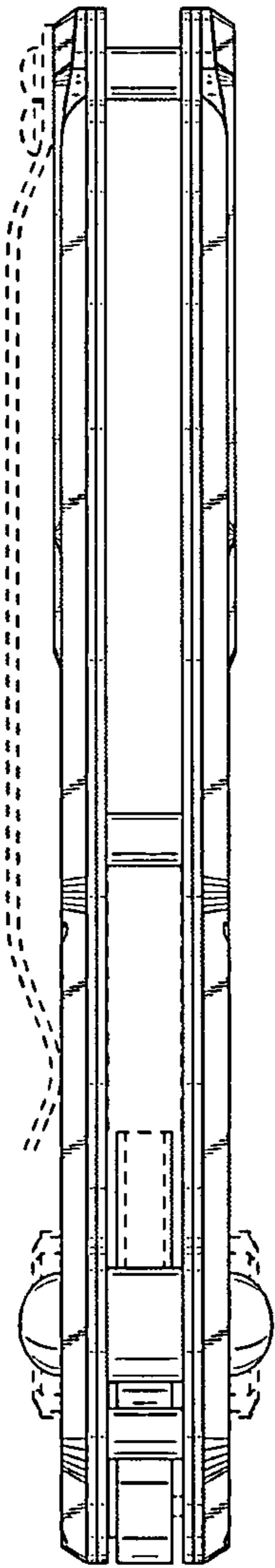


FIG. 6

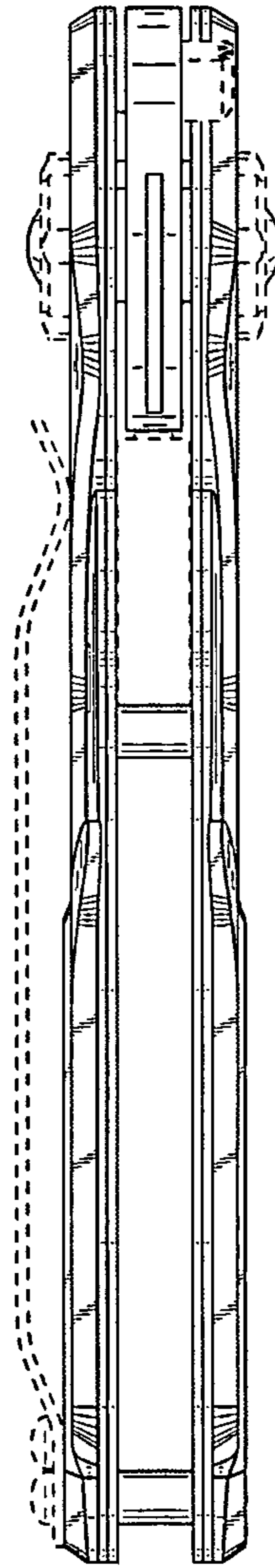


FIG. 7

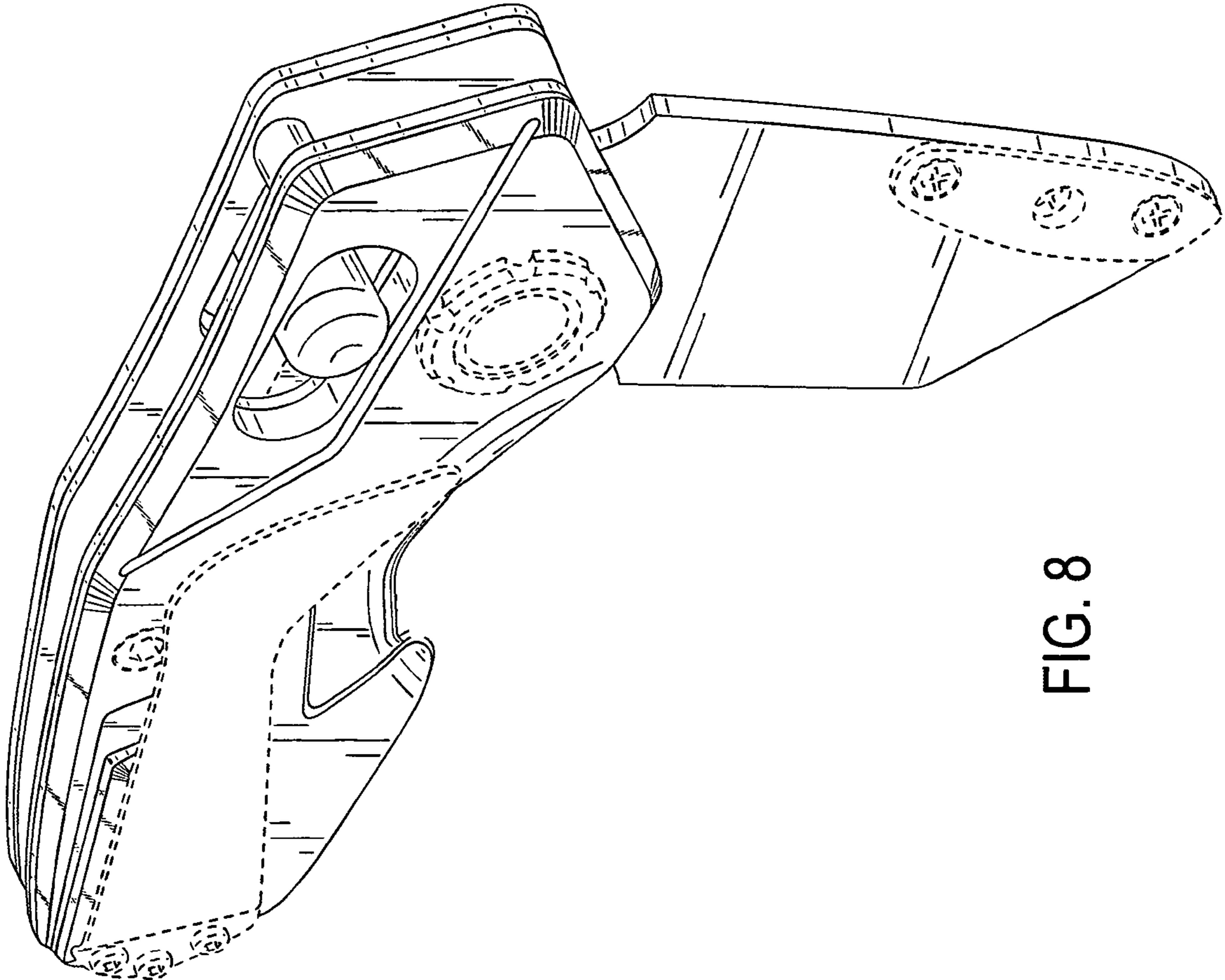


FIG. 8

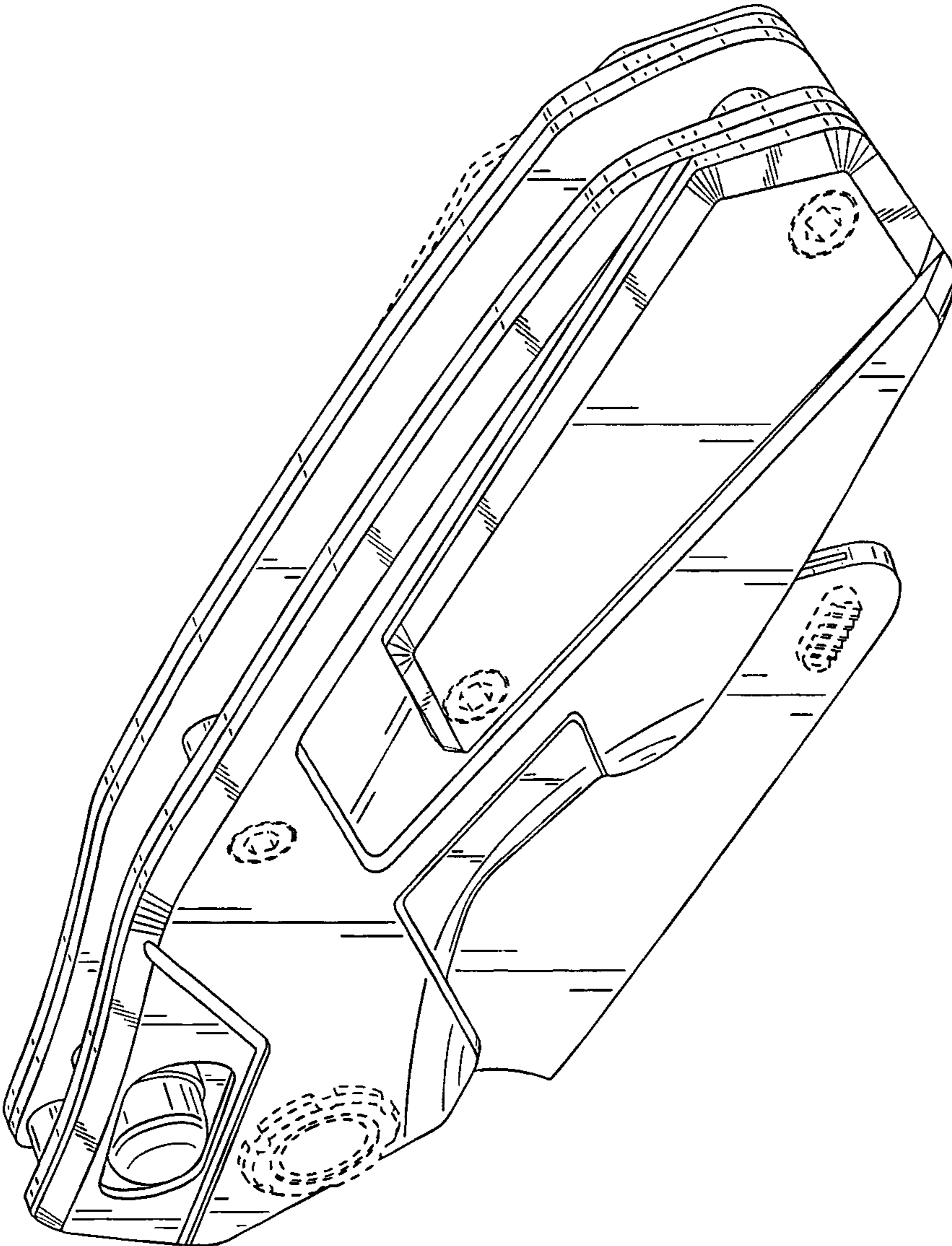


FIG. 9