



US00D691017S

(12) **United States Design Patent**
Robinson et al.

(10) **Patent No.:** **US D691,017 S**

(45) **Date of Patent:** **** Oct. 8, 2013**

(54) **UTILITY KNIFE HANDLE**

D599,641 S * 9/2009 Yang-Fu D8/99
D600,090 S * 9/2009 Yang-Fu D8/99
D632,154 S * 2/2011 Yang-Fu D8/99

(75) Inventors: **Glenn Robinson**, Parkland, FL (US);
Michael Garcia, Coral Springs, FL (US)

* cited by examiner

(73) Assignee: **IBT Holdings, LLC**, Deerfield Beach,
FL (US)

Primary Examiner — Philip S Hyder

Assistant Examiner — Roselynn Ulm Cody

(74) *Attorney, Agent, or Firm* — Dan M. DeLaRosa

(**) Term: **14 Years**

(57) **CLAIM**

The ornamental design for a utility knife handle, as shown and described.

(21) Appl. No.: **29/373,700**

DESCRIPTION

(22) Filed: **May 16, 2011**

(51) **LOC (9) Cl.** **08-03**

(52) **U.S. Cl.**
USPC **D8/99**

(58) **Field of Classification Search**
USPC D8/95–99, 105, 107; D22/118;
30/154–162, 329–331, 339
See application file for complete search history.

FIG. 1 is a front perspective view of the utility knife handle of the present invention showing my new design;
FIG. 2 is a side elevational view thereof;
FIG. 3 is an opposite side elevational view thereof;
FIG. 4 is a back elevational view thereof;
FIG. 5 is a front elevational view thereof;
FIG. 6 is a top plan view thereof;
FIG. 7 is a bottom plan view thereof; and,
FIG. 8 is a back perspective view of the utility knife handle of the present invention.

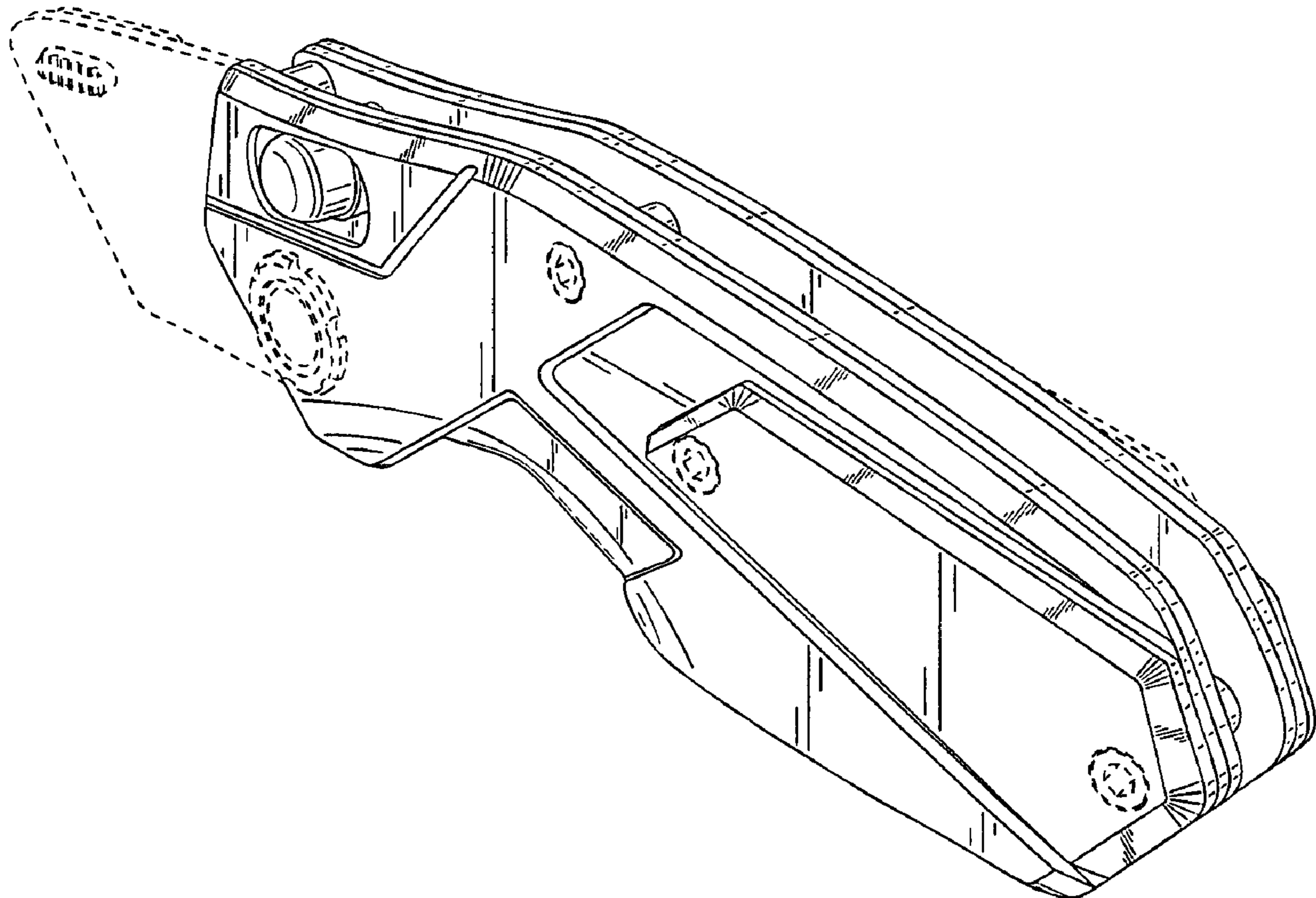
The broken lines illustrating a blade holder are directed to environment and form no part of the claim. All other broken lines in the drawings illustrate unclaimed features of the handle.

(56) **References Cited**

U.S. PATENT DOCUMENTS

D554,964 S * 11/2007 Taylor D8/99
D572,562 S * 7/2008 Hawk et al. D8/99
D599,640 S * 9/2009 Yang-Fu D8/99

1 Claim, 5 Drawing Sheets



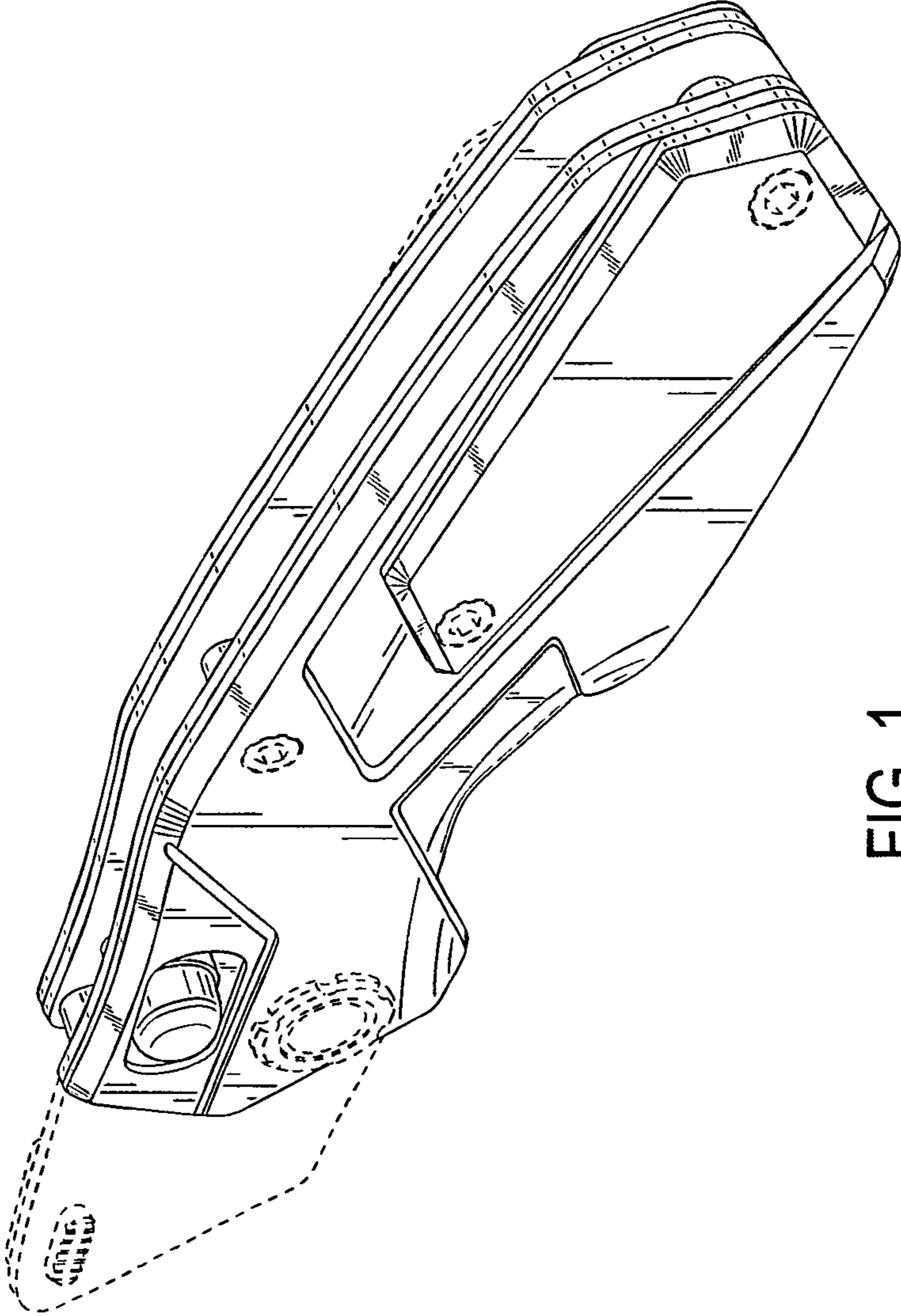


FIG. 1

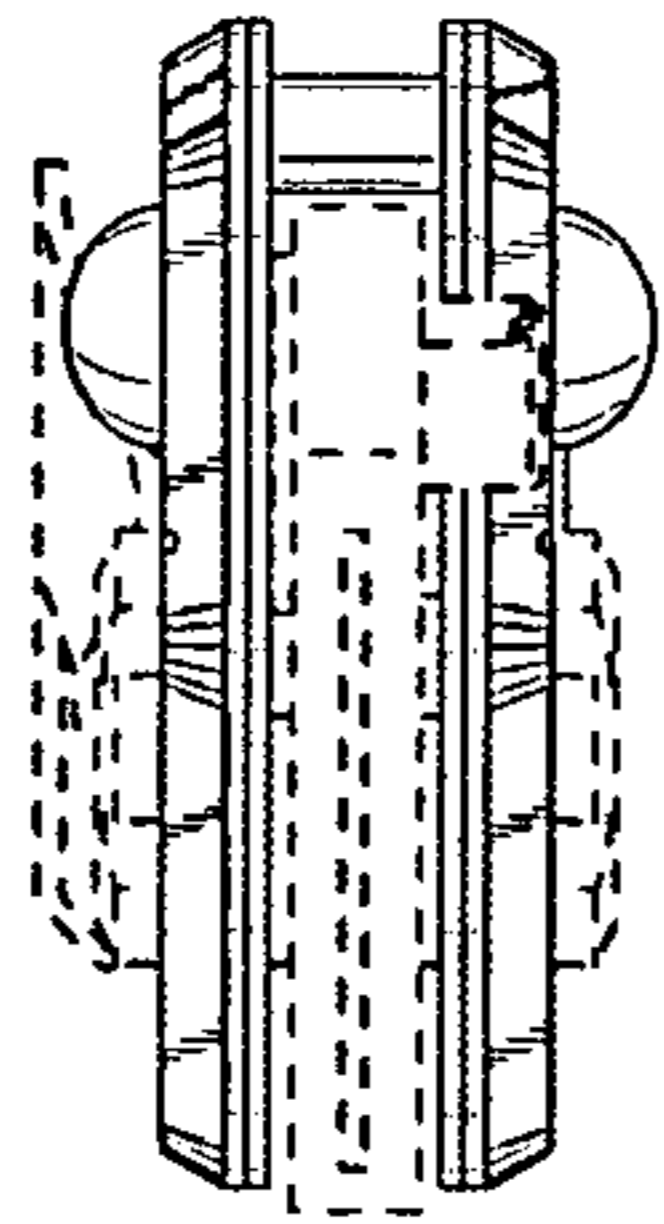


FIG. 2

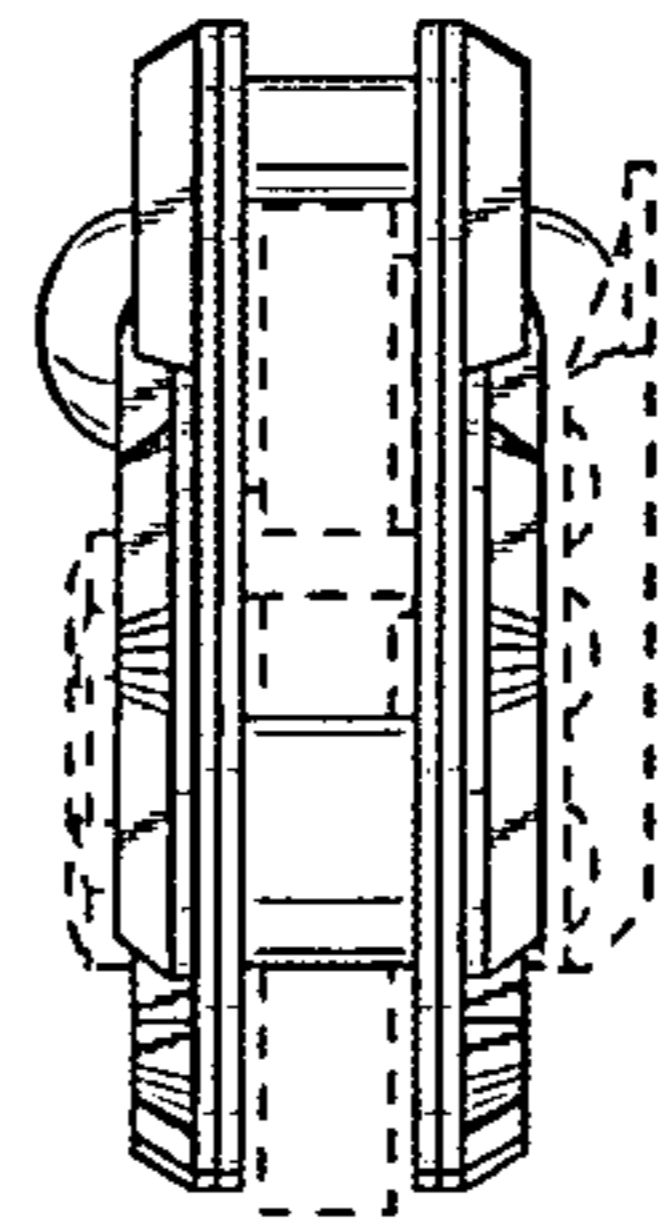


FIG. 3

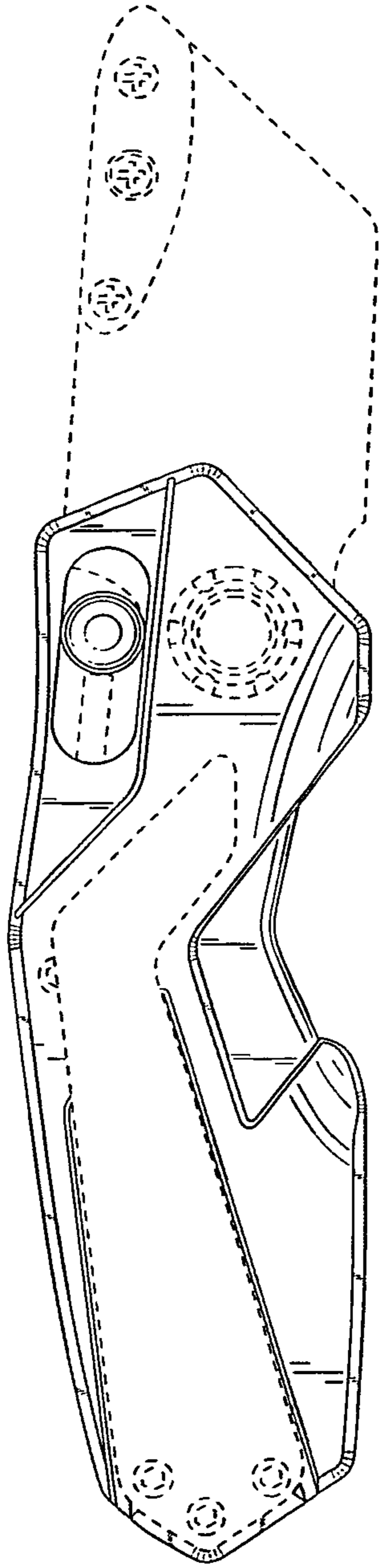


FIG. 4

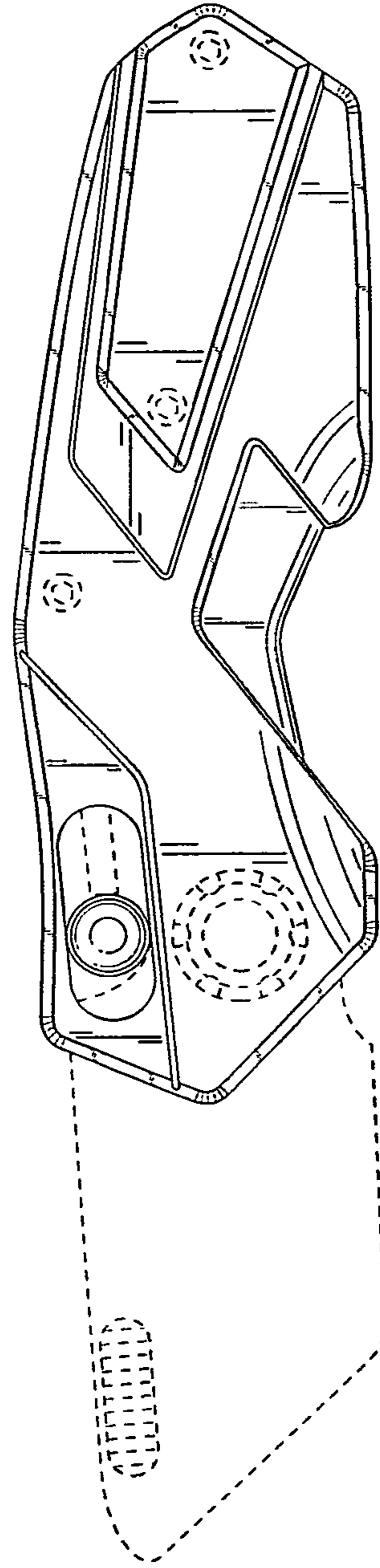


FIG. 5

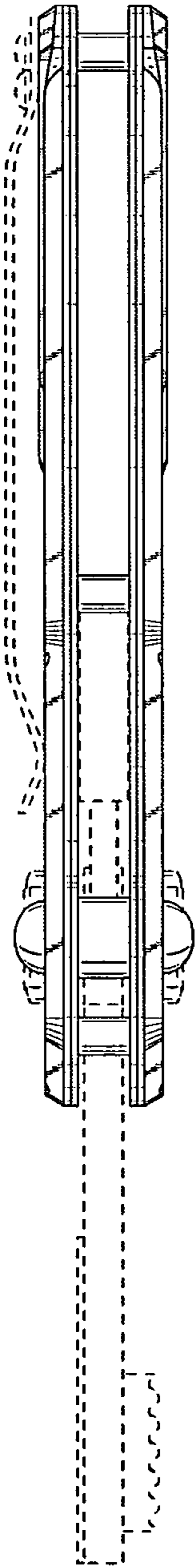


FIG. 6

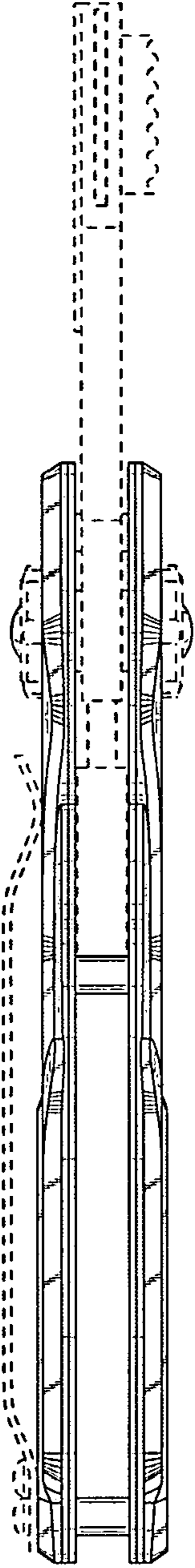


FIG. 7

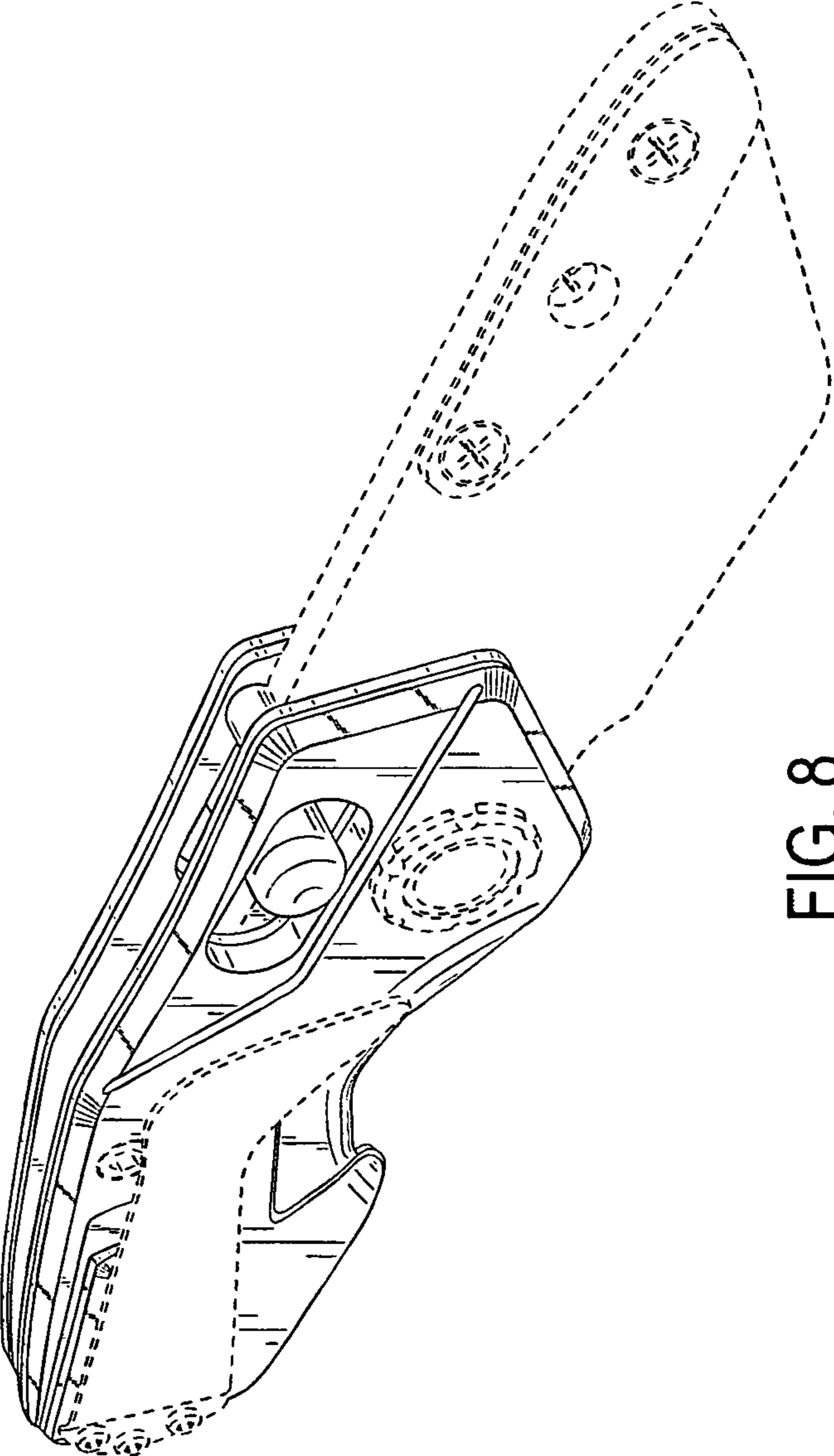


FIG. 8