



US00D691016S

(12) **United States Design Patent**  
**Hyma et al.**

(10) **Patent No.:** **US D691,016 S**  
(45) **Date of Patent:** **\*\* Oct. 8, 2013**

(54) **HANDLE FOR A FASTENER DRIVER**  
(71) Applicant: **Milwaukee Electric Tool Corporation,**  
Brookfield, WI (US)  
(72) Inventors: **Steven W. Hyma,** Milwaukee, WI (US);  
**Jason R. Crowe,** Milwaukee, WI (US);  
**Scott D. Bublitz,** Hartland, WI (US)  
(73) Assignee: **Milwaukee Electric Tool Corporation,**  
Brookfield, WI (US)

D475,268 S *	6/2003	Lisle et al.	.....	D8/107
D482,590 S *	11/2003	Lisle et al.	.....	D8/107
D482,591 S *	11/2003	Lisle et al.	.....	D8/107
D513,378 S *	1/2006	Lin	.....	D8/83
D516,893 S *	3/2006	Kuo	.....	D8/83
D531,005 S *	10/2006	Chang	.....	D8/107
D552,956 S *	10/2007	Wen	.....	D8/107
D572,105 S *	7/2008	Brockman et al.	.....	D8/83
D585,261 S *	1/2009	Shih	.....	D8/83
D629,666 S *	12/2010	Lai	.....	D8/83
D637,470 S *	5/2011	Vigil	.....	D8/107
D645,717 S *	9/2011	Ou	.....	D8/83

(\*\*) Term: **14 Years**

(21) Appl. No.: **29/436,733**

(22) Filed: **Nov. 8, 2012**

(51) **LOC (9) Cl.** ..... **08-04**

(52) **U.S. Cl.**  
USPC ..... **D8/83**

(58) **Field of Classification Search**  
USPC ..... D8/82-87, 98-99, 105, 107; 7/165,  
7/167, 169; 81/177.1-177.7, 436, 438, 489  
See application file for complete search history.

(56) **References Cited**

U.S. PATENT DOCUMENTS

D197,501 S *	2/1964	Huxtable	.....	D8/83
D340,633 S *	10/1993	Badiali	.....	D8/85
D363,012 S *	10/1995	Humphries	.....	D8/87
D408,252 S *	4/1999	Holland-Letz	.....	D8/83
D412,096 S *	7/1999	Kung et al.	.....	D8/87
D421,887 S *	3/2000	Hung	.....	D8/83
D424,904 S *	5/2000	Hasan	.....	D8/83
D441,269 S *	5/2001	Tsai	.....	D8/83
D452,423 S *	12/2001	Shimansky	.....	D8/83
D463,243 S *	9/2002	Lisle et al.	.....	D8/107

\* cited by examiner

*Primary Examiner* — Susan E Krakower

*Assistant Examiner* — Roselynn Cody

(74) *Attorney, Agent, or Firm* — Michael Best & Friedrich LLP

(57) **CLAIM**

We claim the ornamental design for a handle for a fastener driver, as shown and described.

**DESCRIPTION**

FIG. 1 is a perspective view of a handle for a fastener driver according to an embodiment of the invention.

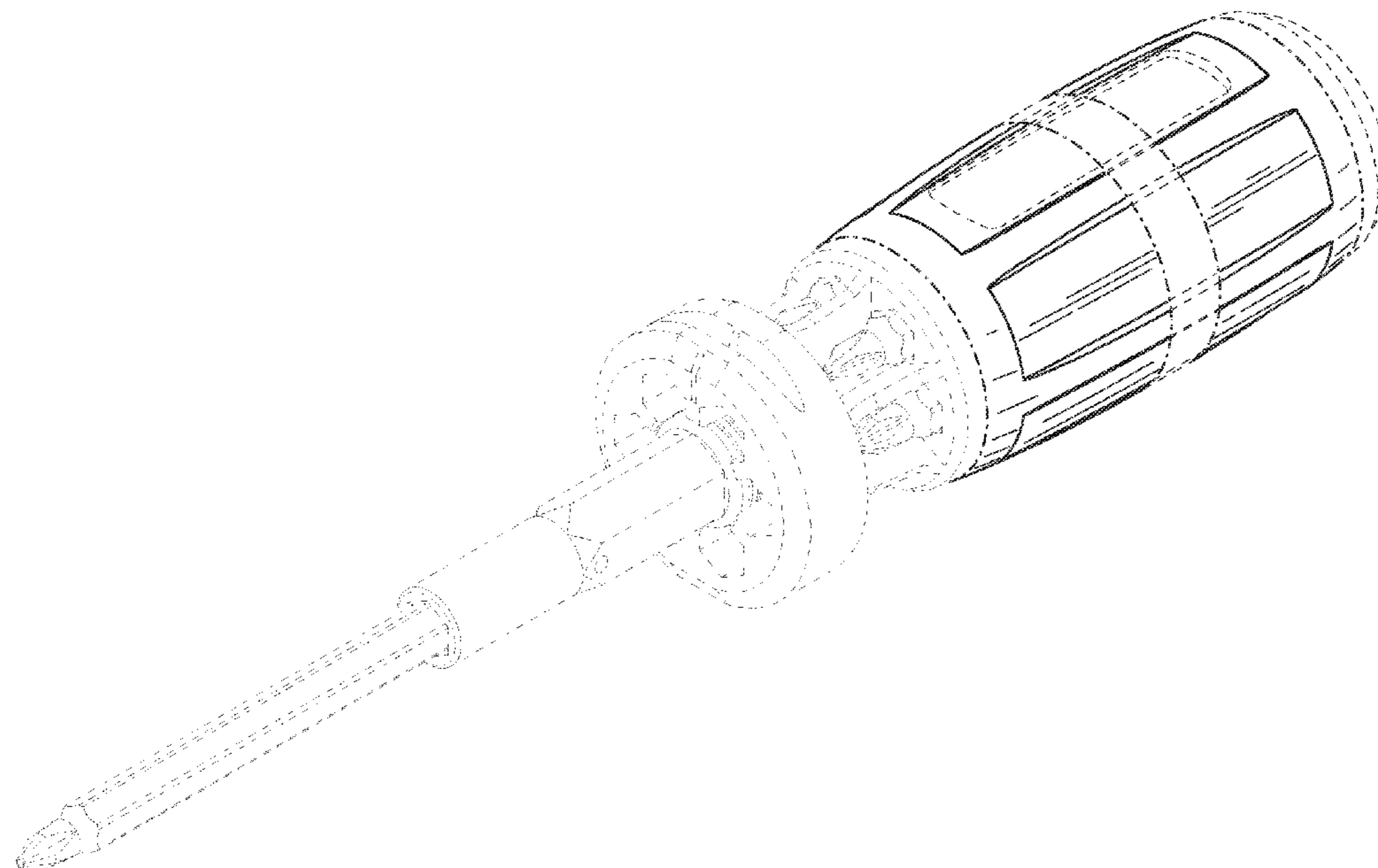
FIG. 2 is a first side view of the handle shown in FIG. 1.

FIG. 3 is a second side view of the handle shown in FIG. 1; and,

FIG. 4 is a top end view of the handle shown in FIG. 1.

The elements shown in broken lines are included for the purpose of illustrating environment and form no part of the claimed design. The portions shown in broken lines having unequal length segments illustrate the boundary of the claimed design and form no part of the claimed design.

**1 Claim, 3 Drawing Sheets**



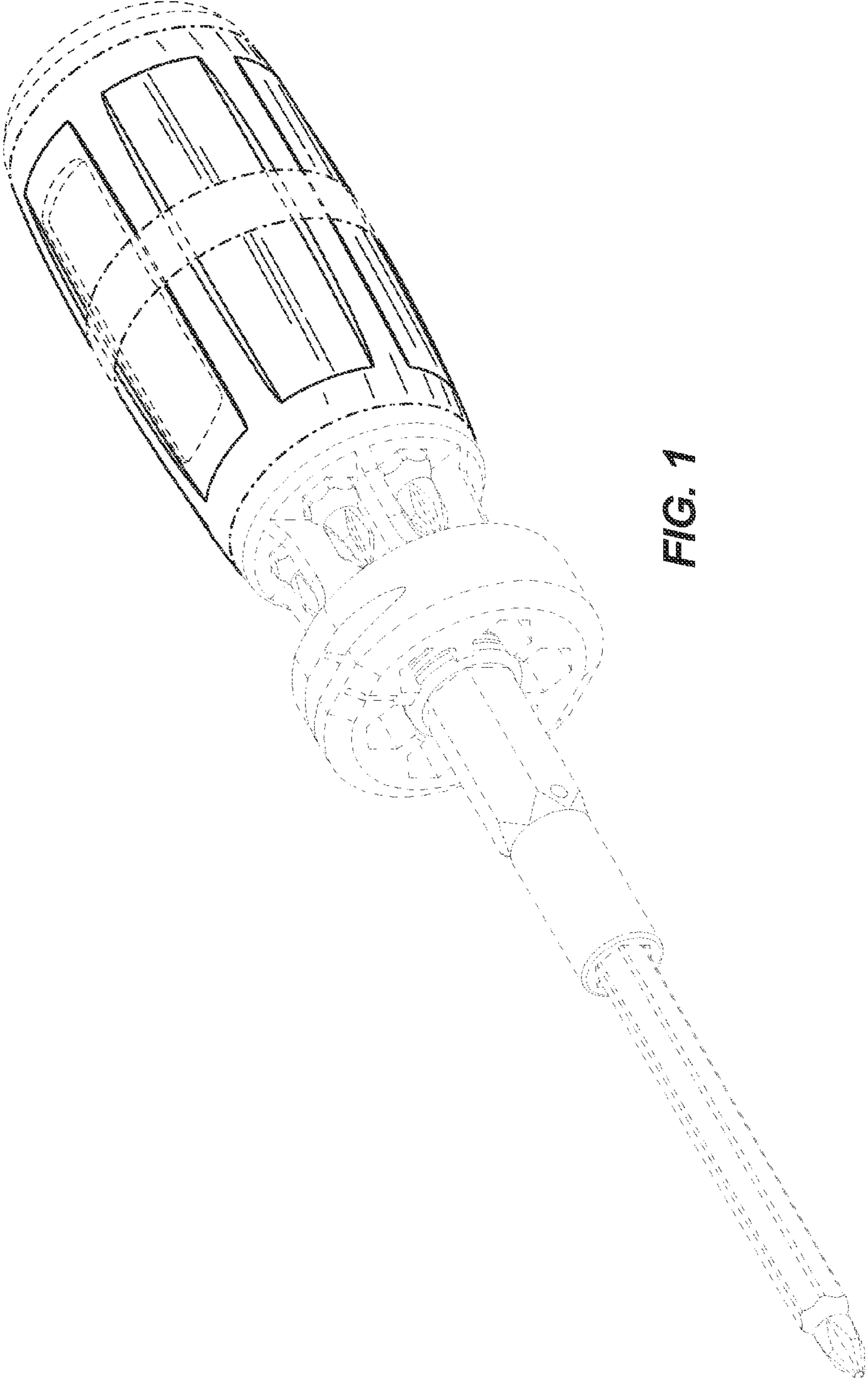


FIG. 1

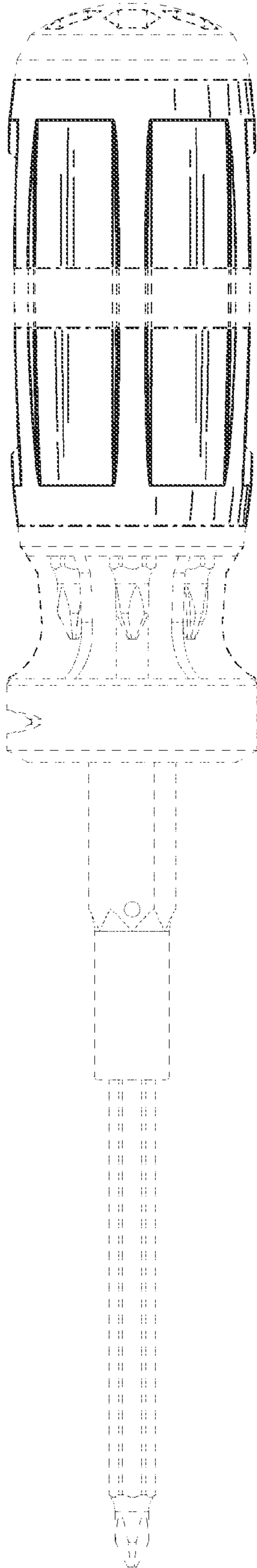


FIG. 2

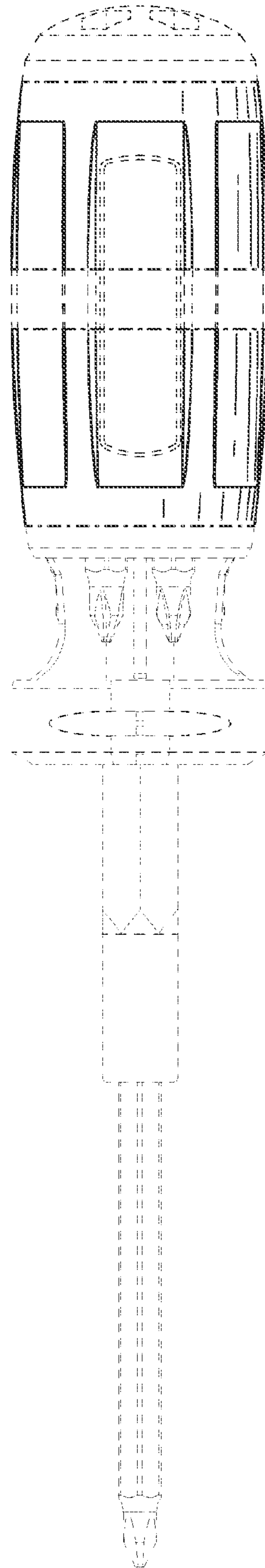
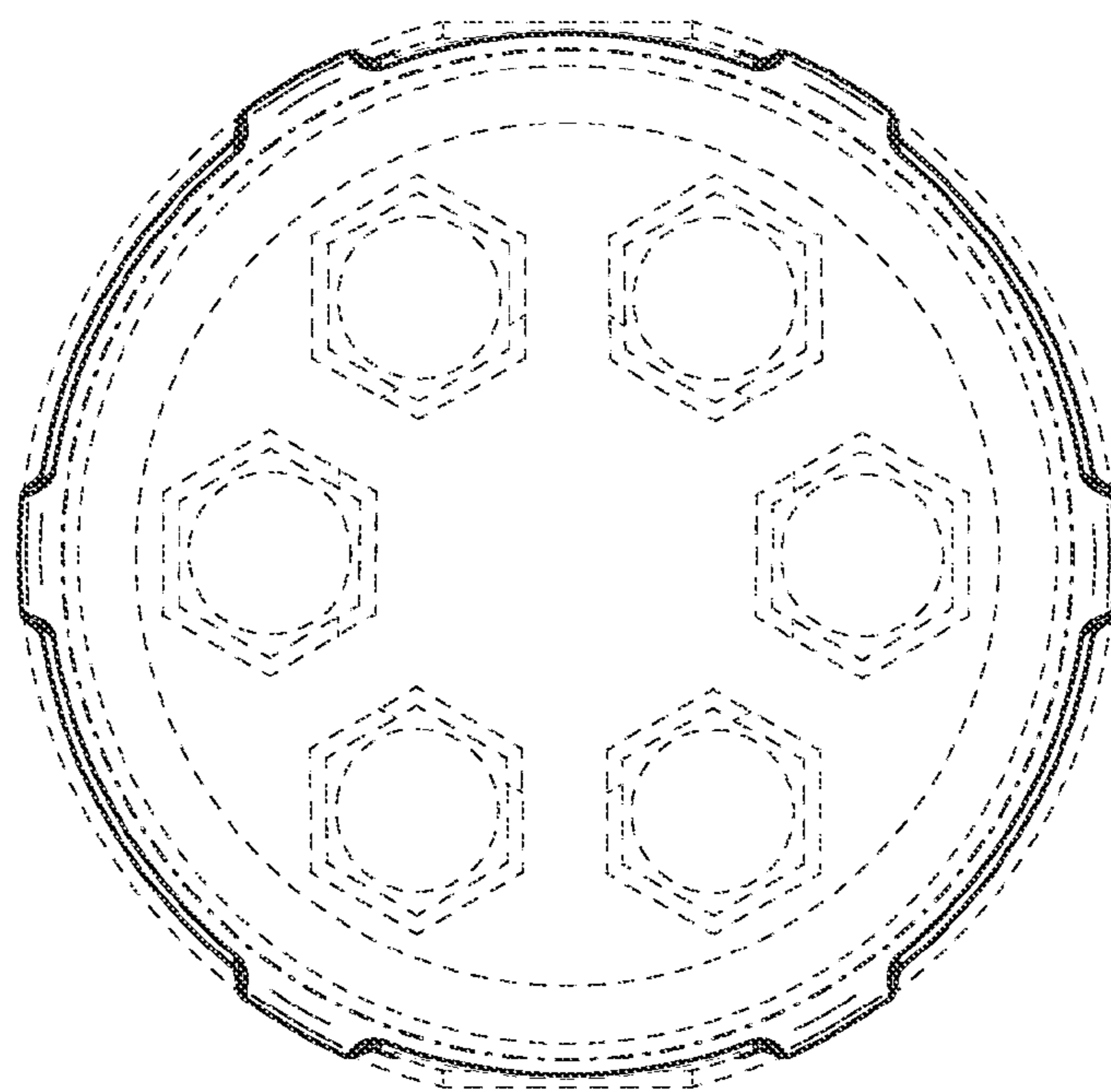


FIG. 3



**FIG. 4**