



US00D691014S

(12) **United States Design Patent**
Hyma et al.

(10) **Patent No.:** **US D691,014 S**
(45) **Date of Patent:** **** Oct. 8, 2013**

- (54) **HANDLE FOR A FASTENER DRIVER**
- (71) Applicant: **Milwaukee Electric Tool Corporation**,
Brookfield, WI (US)
- (72) Inventors: **Steven W. Hyma**, Milwaukee, WI (US);
Jason R. Crowe, Milwaukee, WI (US);
Scott D. Bublitz, Hartland, WI (US)
- (73) Assignee: **Milwaukee Electric Tool Corporation**,
Brookfield, WI (US)

(**) Term: **14 Years**

(21) Appl. No.: **29/436,709**

(22) Filed: **Nov. 8, 2012**

(51) **LOC (9) Cl.** **08-04**

(52) **U.S. Cl.**
USPC **D8/83**

(58) **Field of Classification Search**
USPC D8/82-87, 98-99, 105, 107; 7/165,
7/167, 169; 81/177.1-177.7, 436, 438, 489
See application file for complete search history.

(56) **References Cited**

U.S. PATENT DOCUMENTS

D197,501 S *	2/1964	Huxtable	D8/83
D340,633 S *	10/1993	Badiali	D8/85
D363,012 S *	10/1995	Humphries	D8/87
D408,252 S *	4/1999	Holland-Letz	D8/83
D412,096 S *	7/1999	Kung et al.	D8/87
D421,887 S *	3/2000	Hung	D8/83
D424,904 S *	5/2000	Hasan	D8/83
D441,269 S *	5/2001	Tsai	D8/83
D452,423 S *	12/2001	Shimansky	D8/83
D463,243 S *	9/2002	Lisle et al.	D8/107

D475,268 S *	6/2003	Lisle et al.	D8/107
D482,590 S *	11/2003	Lisle et al.	D8/107
D482,591 S *	11/2003	Lisle et al.	D8/107
D513,378 S *	1/2006	Lin	D8/83
D516,893 S *	3/2006	Kuo	D8/83
D531,005 S *	10/2006	Chang	D8/107
D552,956 S *	10/2007	Wen	D8/107
D572,105 S *	7/2008	Brockman et al.	D8/83
D585,261 S *	1/2009	Shih	D8/83
D629,666 S *	12/2010	Lai	D8/83
D637,470 S *	5/2011	Vigil	D8/107
D645,717 S *	9/2011	Ou	D8/83

* cited by examiner

Primary Examiner — Susan E Krakower

Assistant Examiner — Roselynn Cody

(74) *Attorney, Agent, or Firm* — Michael Best & Friedrich LLP

(57) **CLAIM**

We claim the ornamental design for a handle for a fastener driver, as shown and described.

DESCRIPTION

FIG. 1 is a perspective view of a handle for a fastener driver according to an embodiment of the invention.

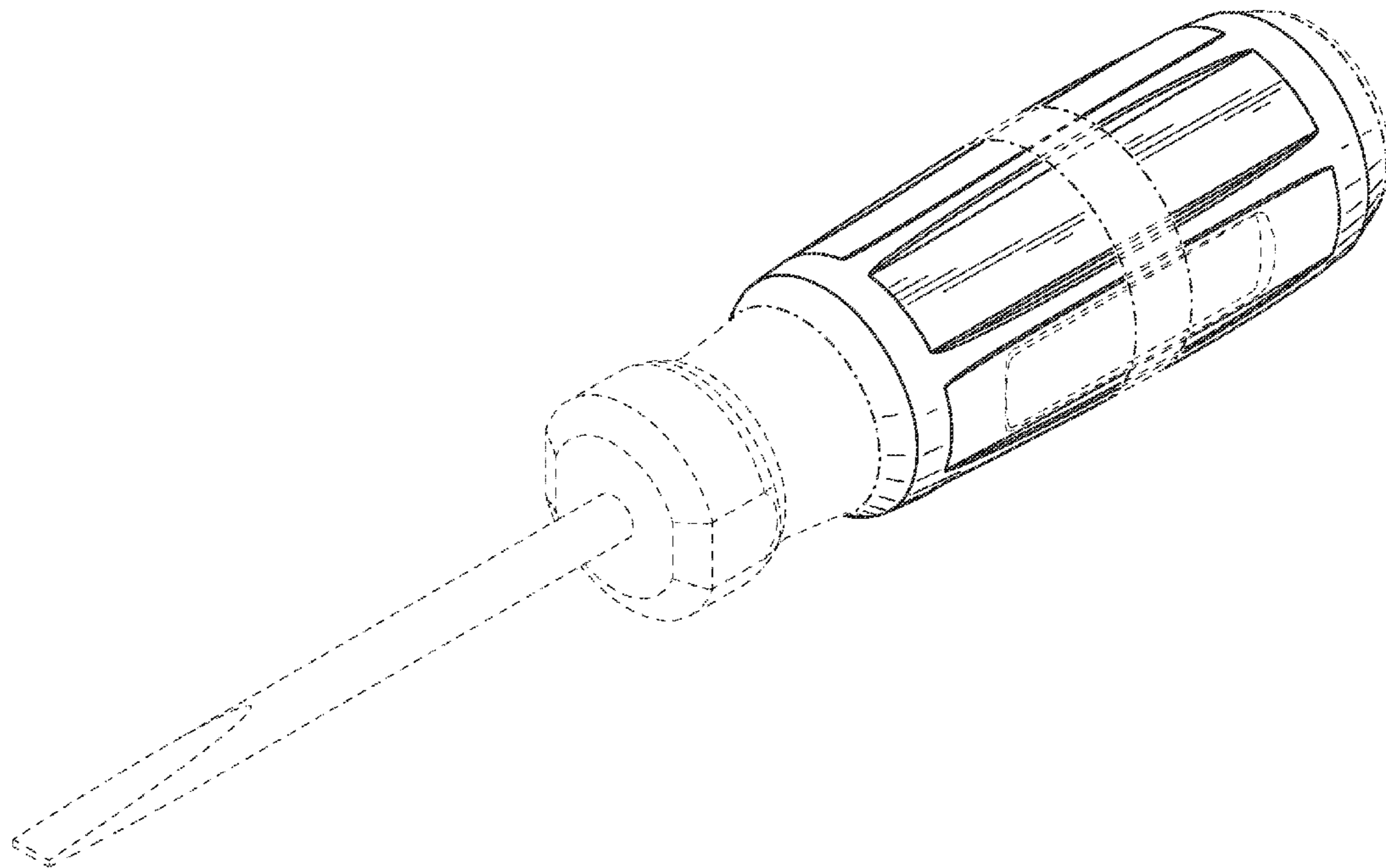
FIG. 2 is a first side view of the handle shown in FIG. 1.

FIG. 3 is a second side view of the handle shown in FIG. 1; and,

FIG. 4 is a bottom end view of the handle shown in FIG. 1.

The elements shown in broken lines are included for the purpose of illustrating environment and form no part of the claimed design. The portions shown in broken lines having unequal length segments illustrate the boundary of the claimed design and form no part of the claimed design.

1 Claim, 3 Drawing Sheets



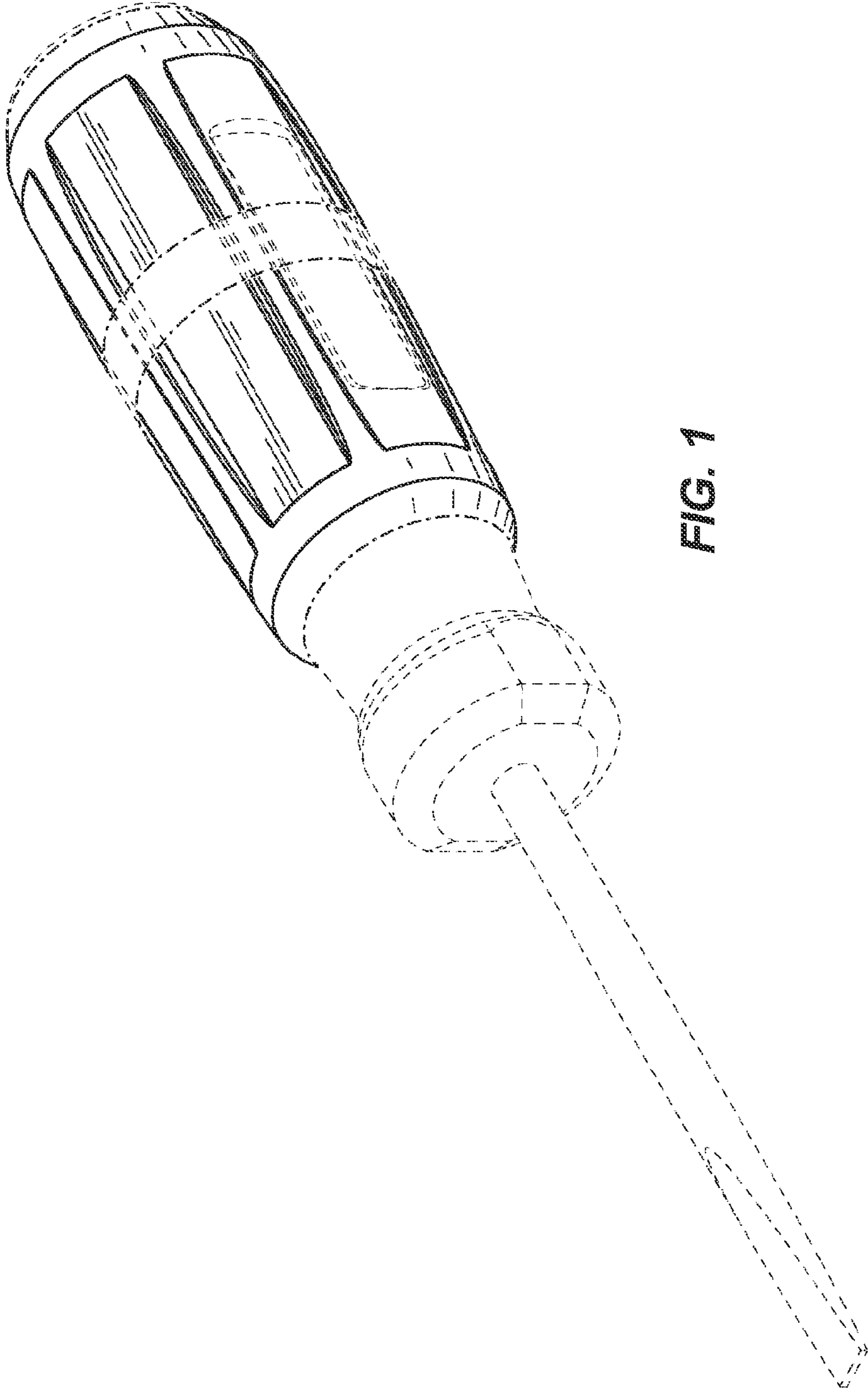


FIG. 1

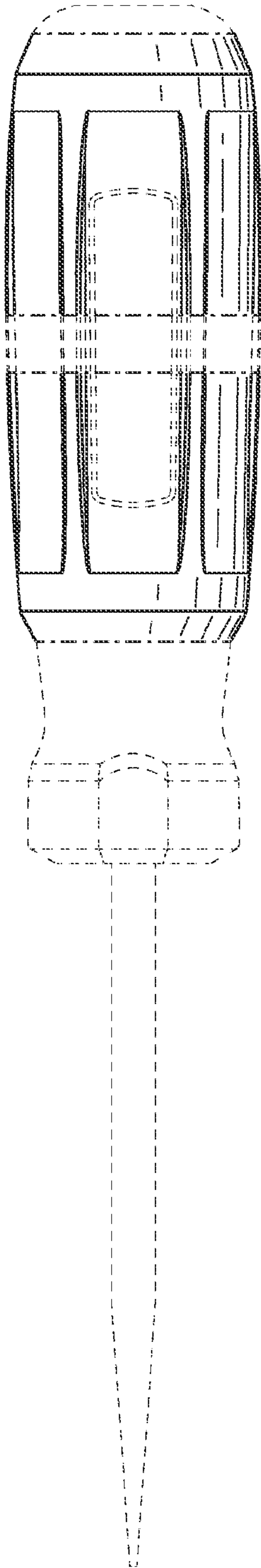


FIG. 2

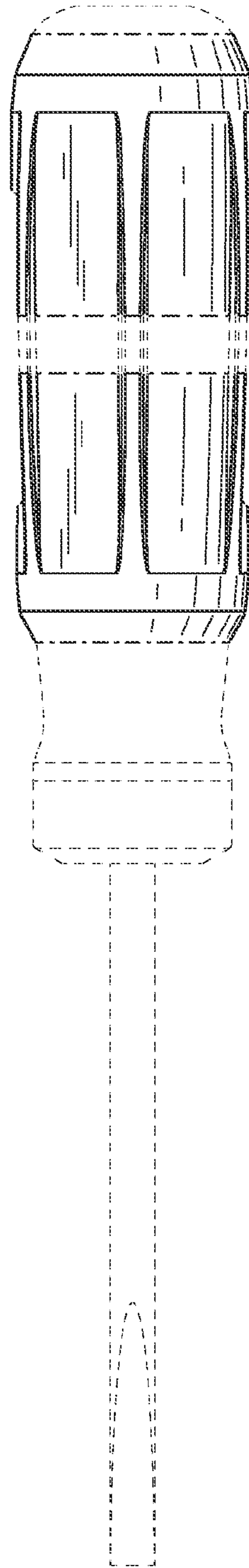


FIG. 3

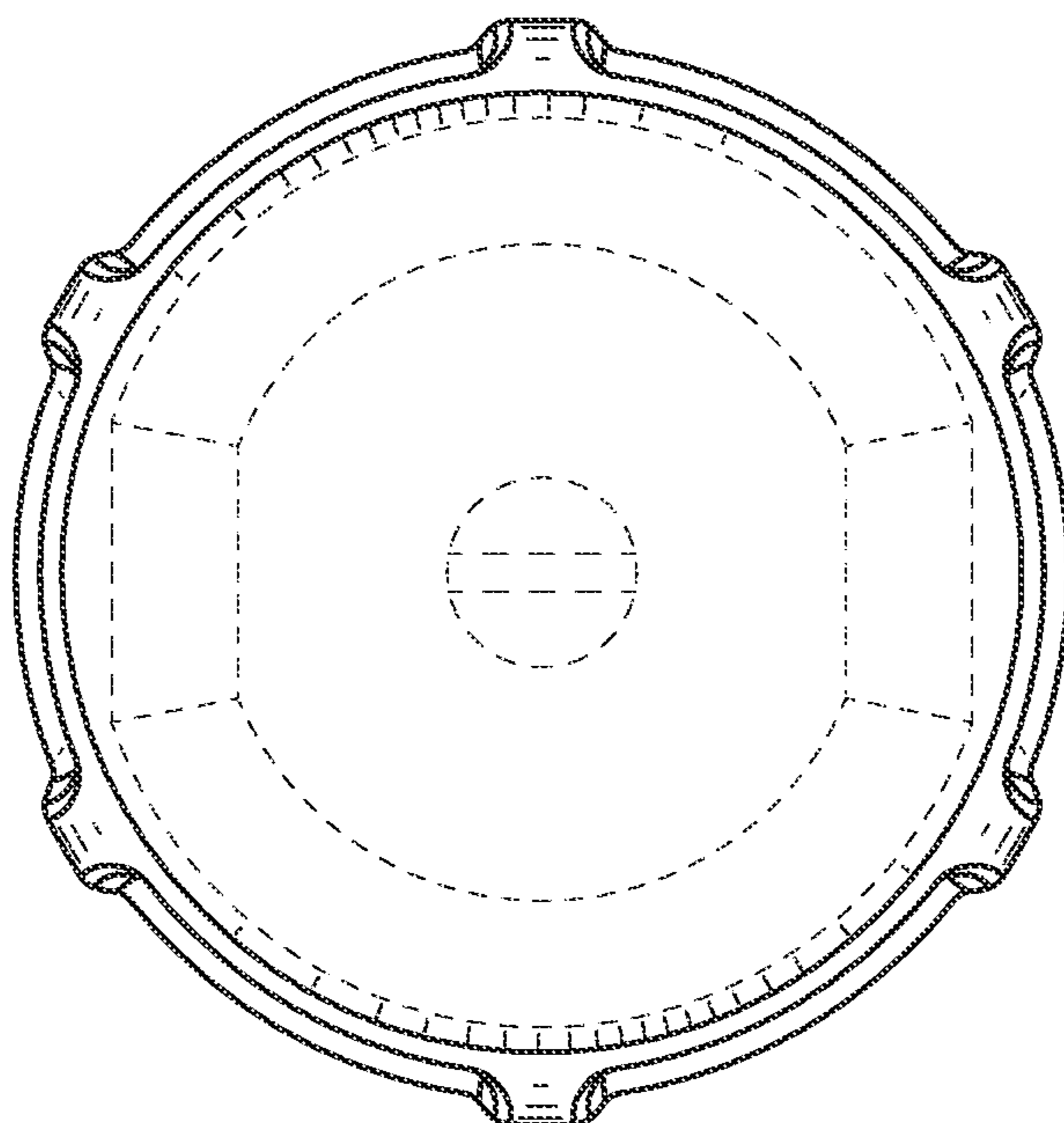


FIG. 4