



US00D691012S

(12) **United States Design Patent**
Buetow et al.

(10) **Patent No.:** **US D691,012 S**
(45) **Date of Patent:** **** Oct. 8, 2013**

(54) **FASTENER DRIVING TOOL HOUSING**

(75) Inventors: **Robert Scott Buetow**, Lake in the Hills, IL (US); **Ryan L. Francis**, Palatine, IL (US); **Ricardo Segura**, Lake in the Hills, IL (US)

(73) Assignee: **Illinois Tool Works Inc.**, Glenview, IL (US)

(**) Term: **14 Years**

(21) Appl. No.: **29/431,487**

(22) Filed: **Sep. 7, 2012**

D519,809 S *	5/2006	Taniguchi et al.	D8/69
D520,321 S *	5/2006	Hattori et al.	D8/69
D531,475 S *	11/2006	Li	D8/69
D554,963 S *	11/2007	Holderfield et al.	D8/69
D560,108 S *	1/2008	Butzen et al.	D8/69
D575,607 S *	8/2008	Buck	D8/69
D586,196 S *	2/2009	Kosugi et al.	D8/69
D591,576 S *	5/2009	Buck	D8/68
D605,919 S *	12/2009	Schneider et al.	D8/69
D606,378 S *	12/2009	Okuda et al.	D8/69
D618,976 S *	7/2010	Taniguchi et al.	D8/69
8,056,785 B2 *	11/2011	Gosis et al.	227/19
2002/0104868 A1 *	8/2002	Miller et al.	227/130
2003/0127490 A1 *	7/2003	Hamano et al.	227/120
2010/0170929 A1 *	7/2010	Chang	227/8
2012/0160889 A1 *	6/2012	Tanji	227/142

* cited by examiner

Related U.S. Application Data

(62) Division of application No. 29/391,451, filed on May 9, 2011, now Pat. No. Des. 675,501.

(51) **LOC (9) Cl.** **08-03**

(52) **U.S. Cl.**
USPC **D8/69**; D8/68

(58) **Field of Classification Search**
USPC D8/61, 68, 69; 227/8, 10, 109, 120, 227/130, 135

See application file for complete search history.

(56) **References Cited**

U.S. PATENT DOCUMENTS

D377,592 S *	1/1997	Hattori	D8/69
D432,882 S *	10/2000	Matsuoka et al.	D8/68
D463,237 S *	9/2002	Sims et al.	D8/68
D474,386 S *	5/2003	Arai	D8/68
D474,665 S *	5/2003	Taylor	D8/69
D483,240 S *	12/2003	Garvis et al.	D8/68
D486,048 S *	2/2004	Hattori	D8/68
D497,299 S *	10/2004	Matsuoka et al.	D8/69
D498,128 S *	11/2004	Sterling	D8/68
D508,191 S *	8/2005	Hattori et al.	D8/68

Primary Examiner — Philip S Hyder

Assistant Examiner — John T Applewhite

(74) *Attorney, Agent, or Firm* — Greer, Burns & Crain, Ltd.;
Patty Chidiac; Mark W. Croll

(57) **CLAIM**

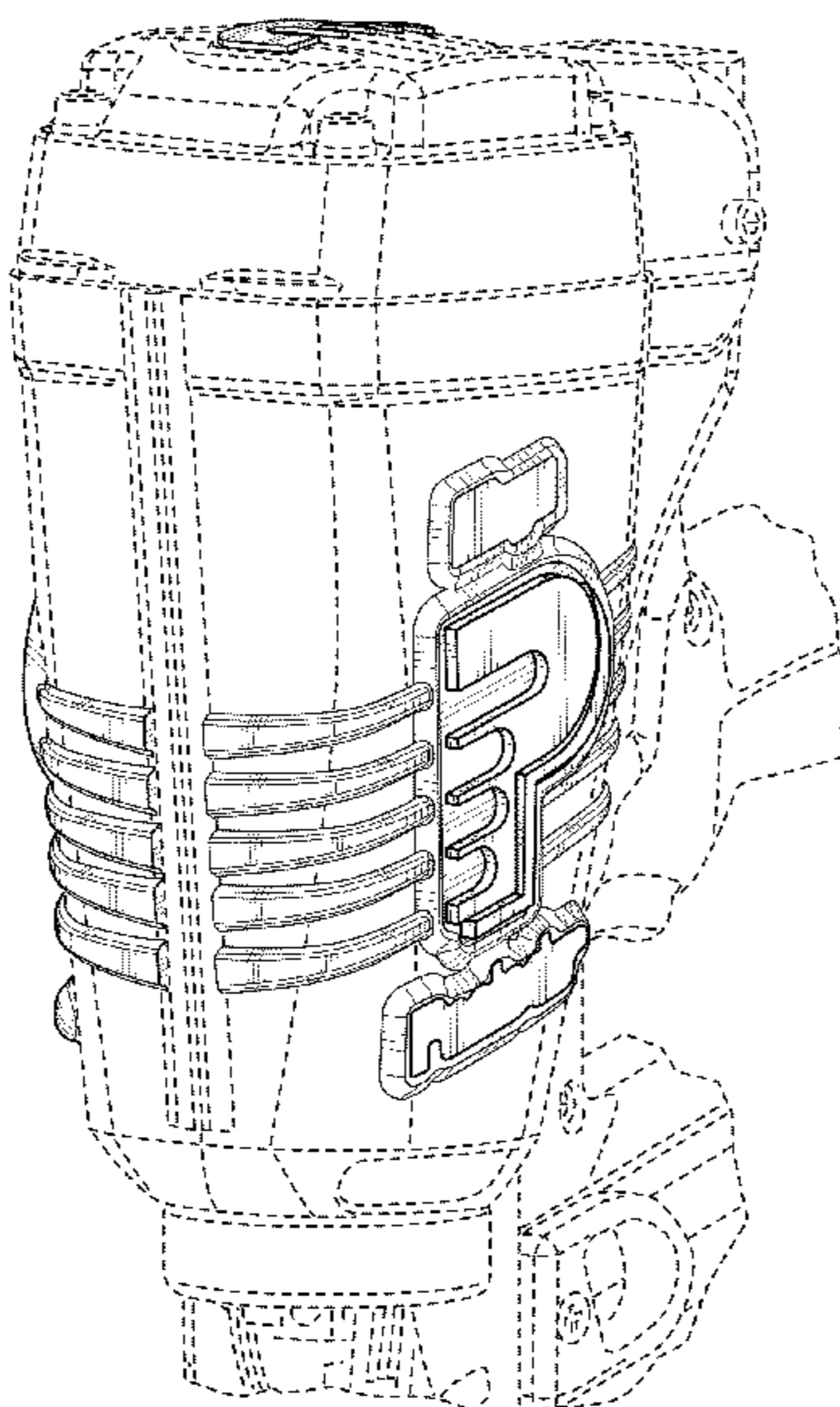
The ornamental design for a fastener driving tool housing, as shown and described.

DESCRIPTION

FIG. 1 is a front perspective view of the present tool housing;
FIG. 2 is a right side view of same;
FIG. 3 is a left side view of same;
FIG. 4 is a front view of the tool housing of FIG. 1;
FIG. 5 is a rear view of same;
FIG. 6 is a top view of the tool housing of FIG. 1; and,
FIG. 7 is a bottom view of same.

The structure shown in broken lines is for environment purposes only and does not form part of the claimed invention. The broken lines illustrate portions of the fastener driving tool housing that form no part of the claimed design.

1 Claim, 7 Drawing Sheets



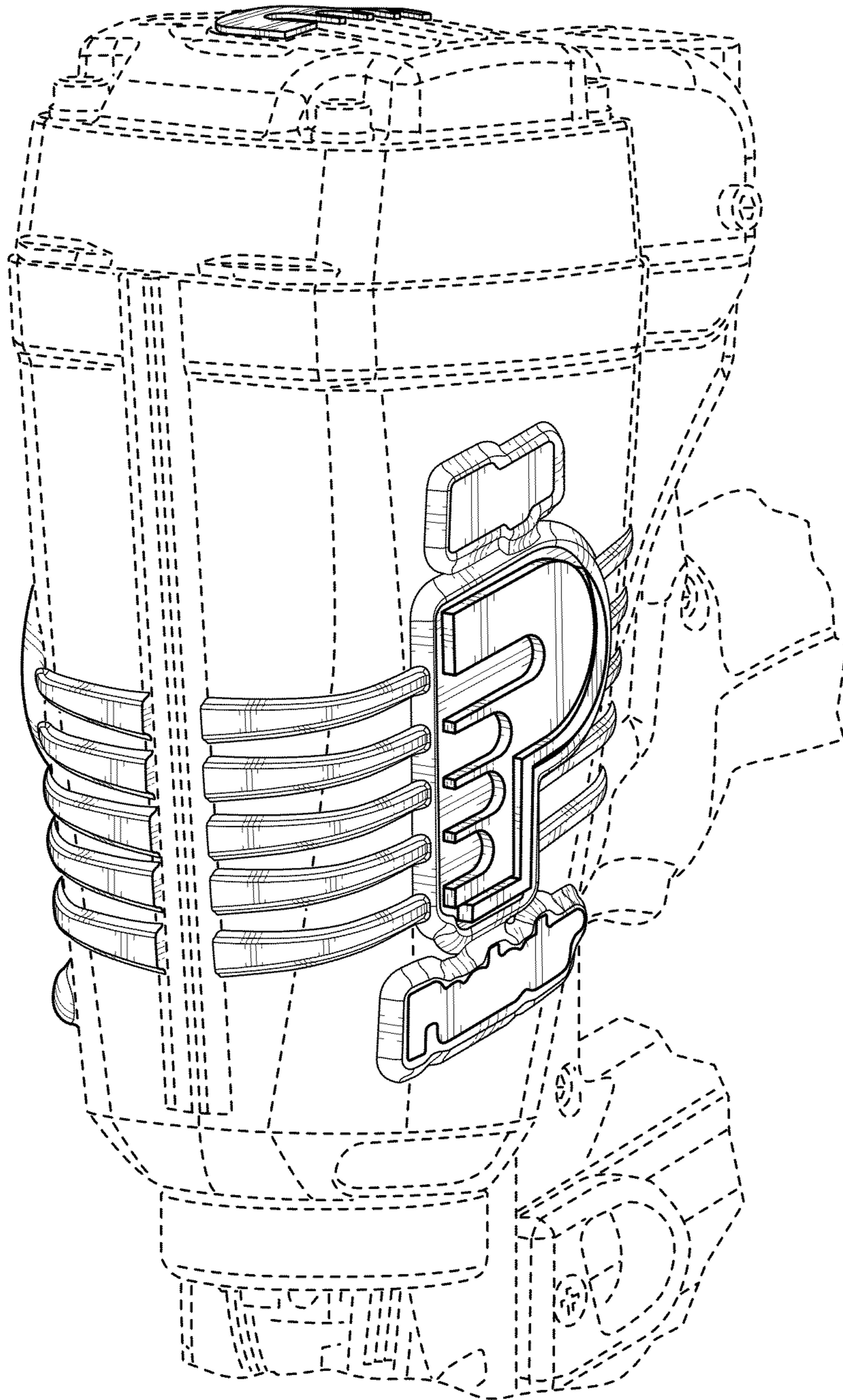


FIG. 1

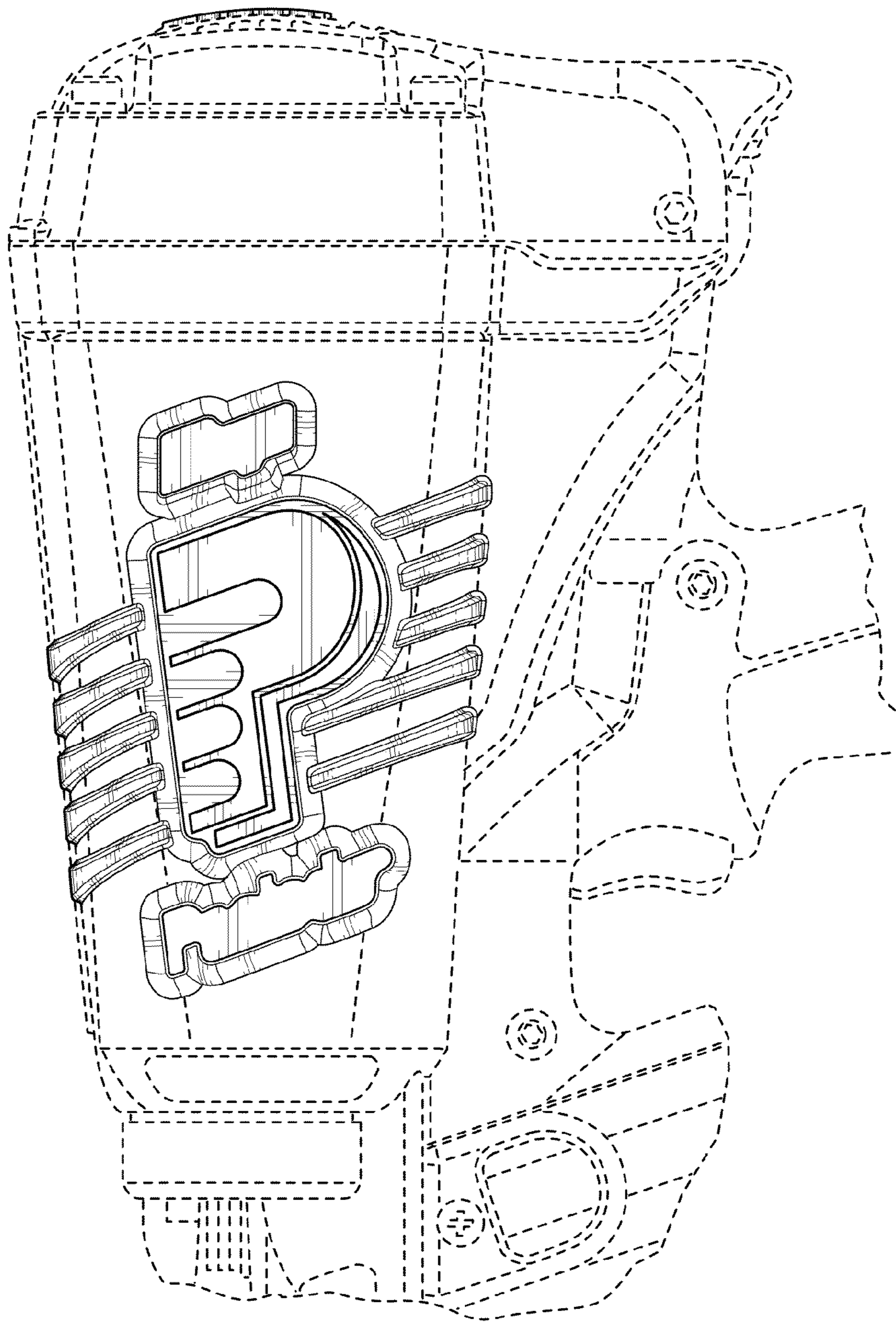


FIG. 2

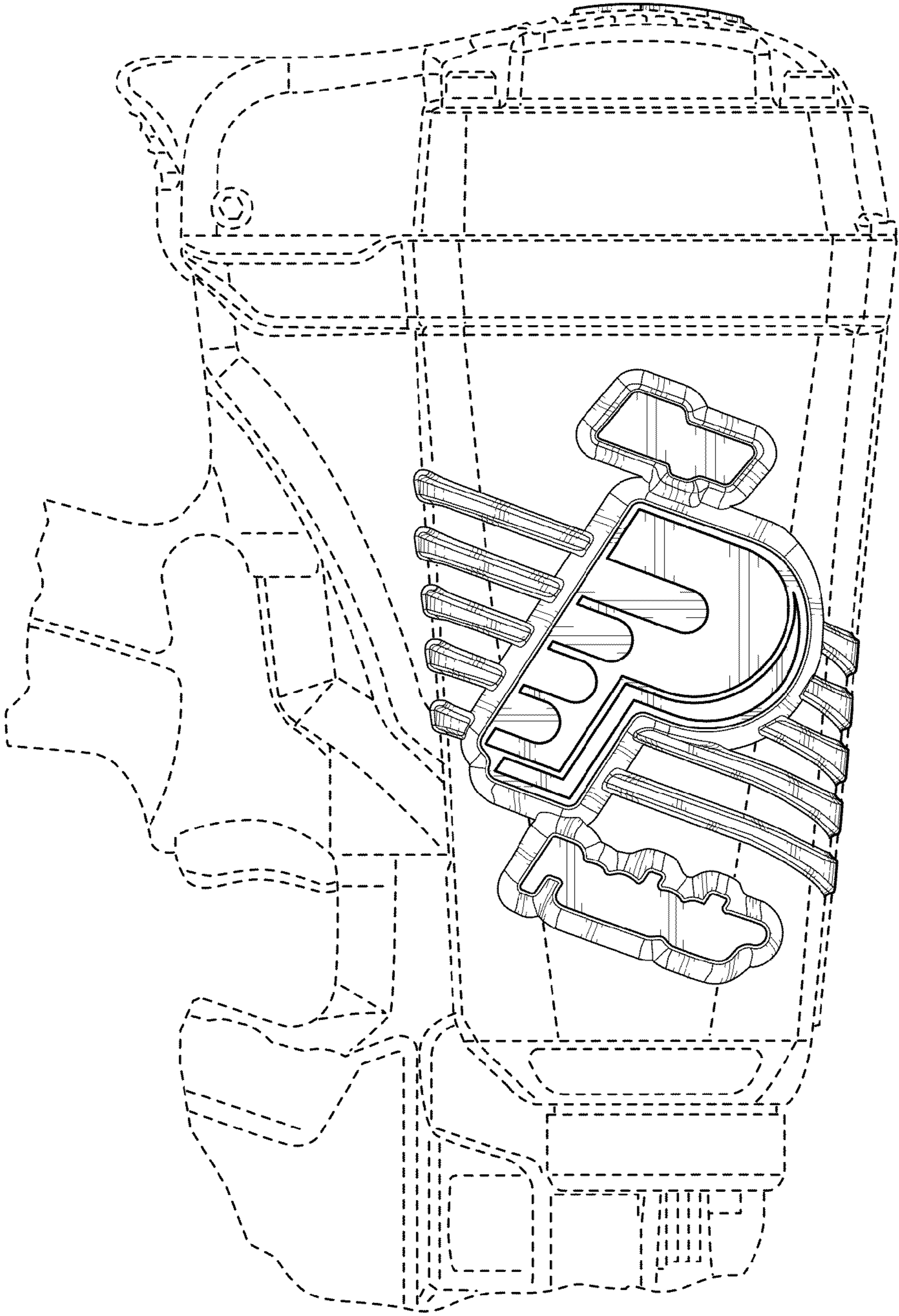


FIG. 3

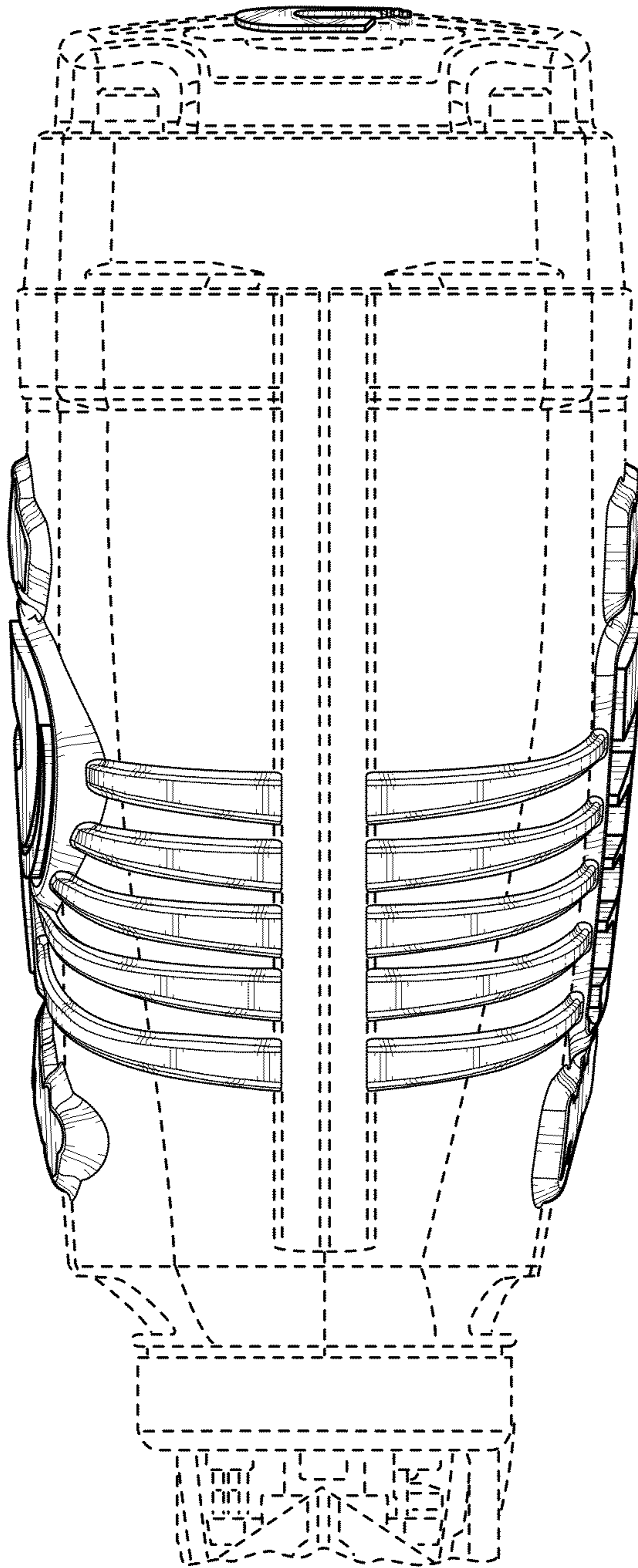


FIG. 4

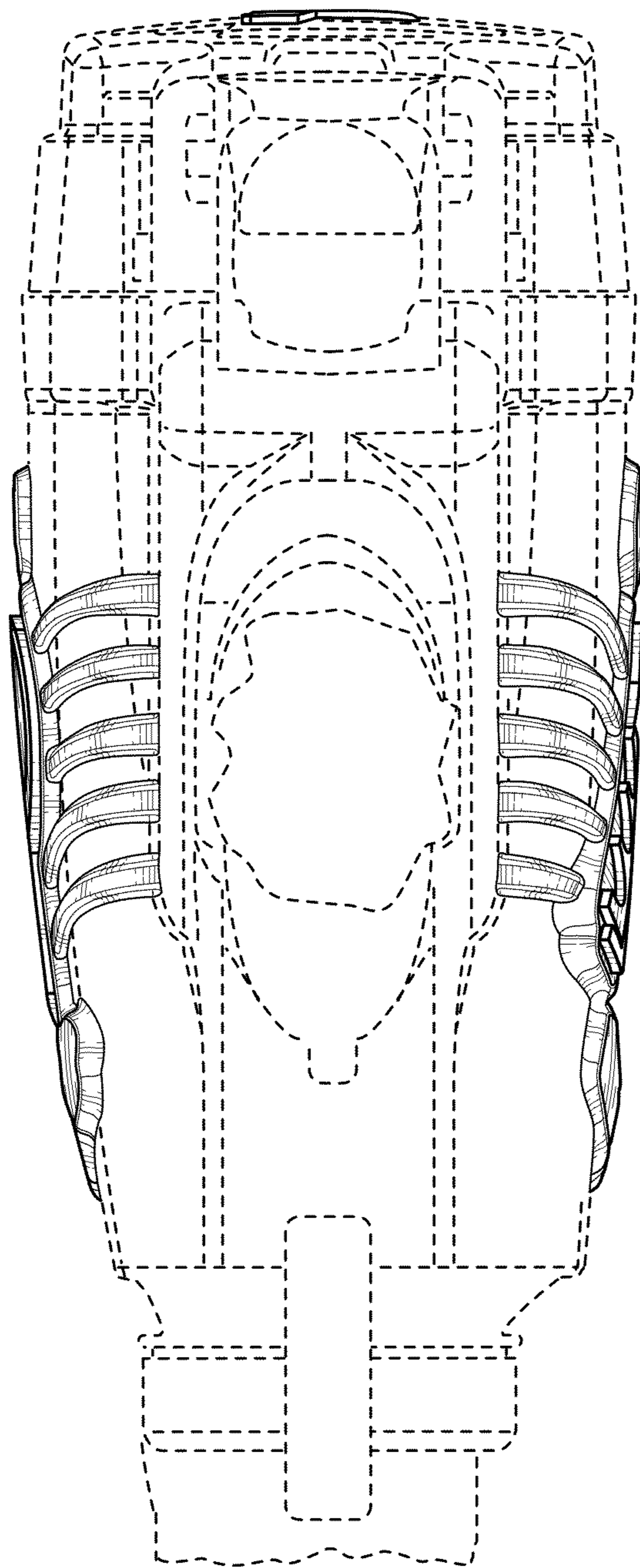


FIG. 5

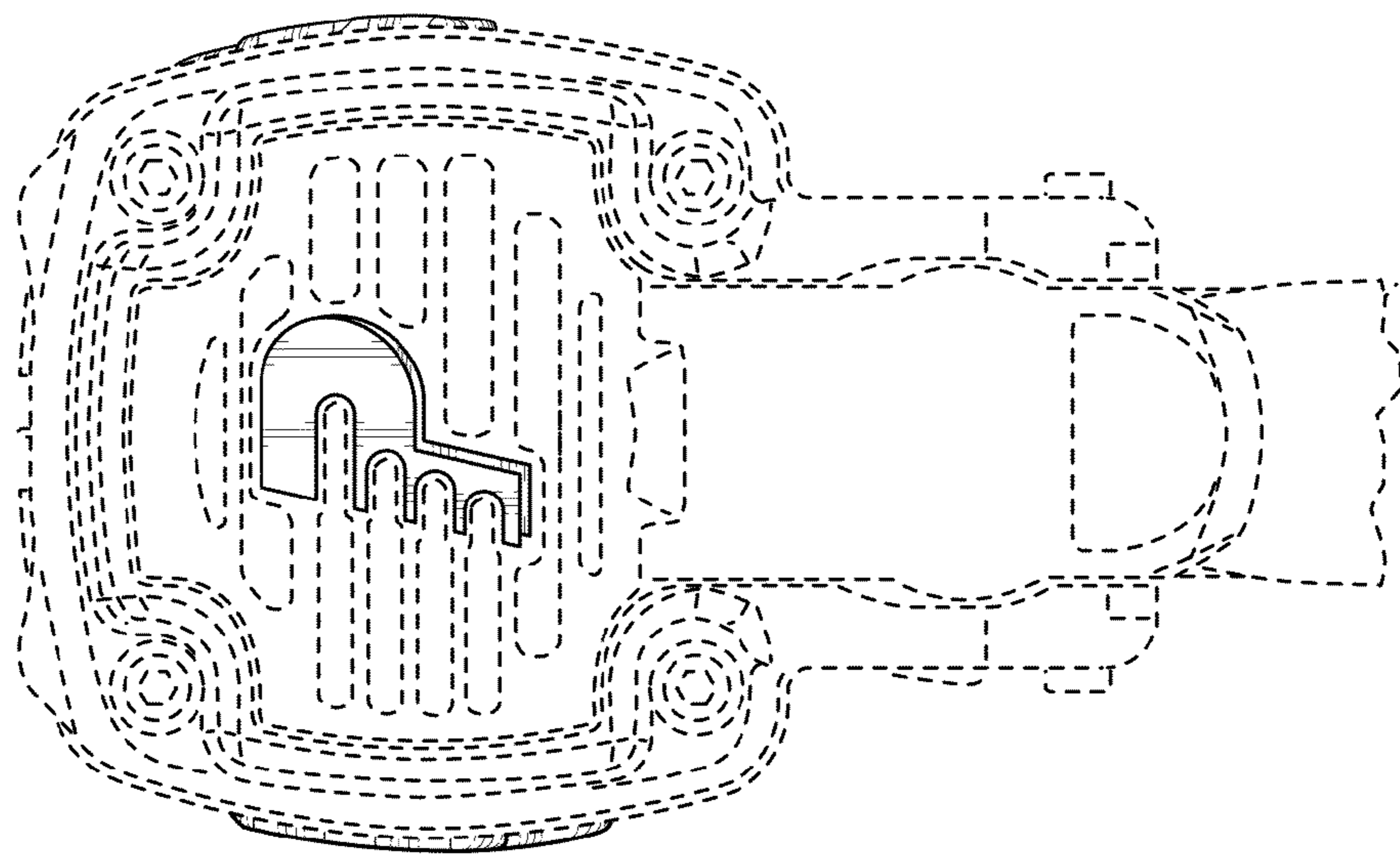


FIG. 6

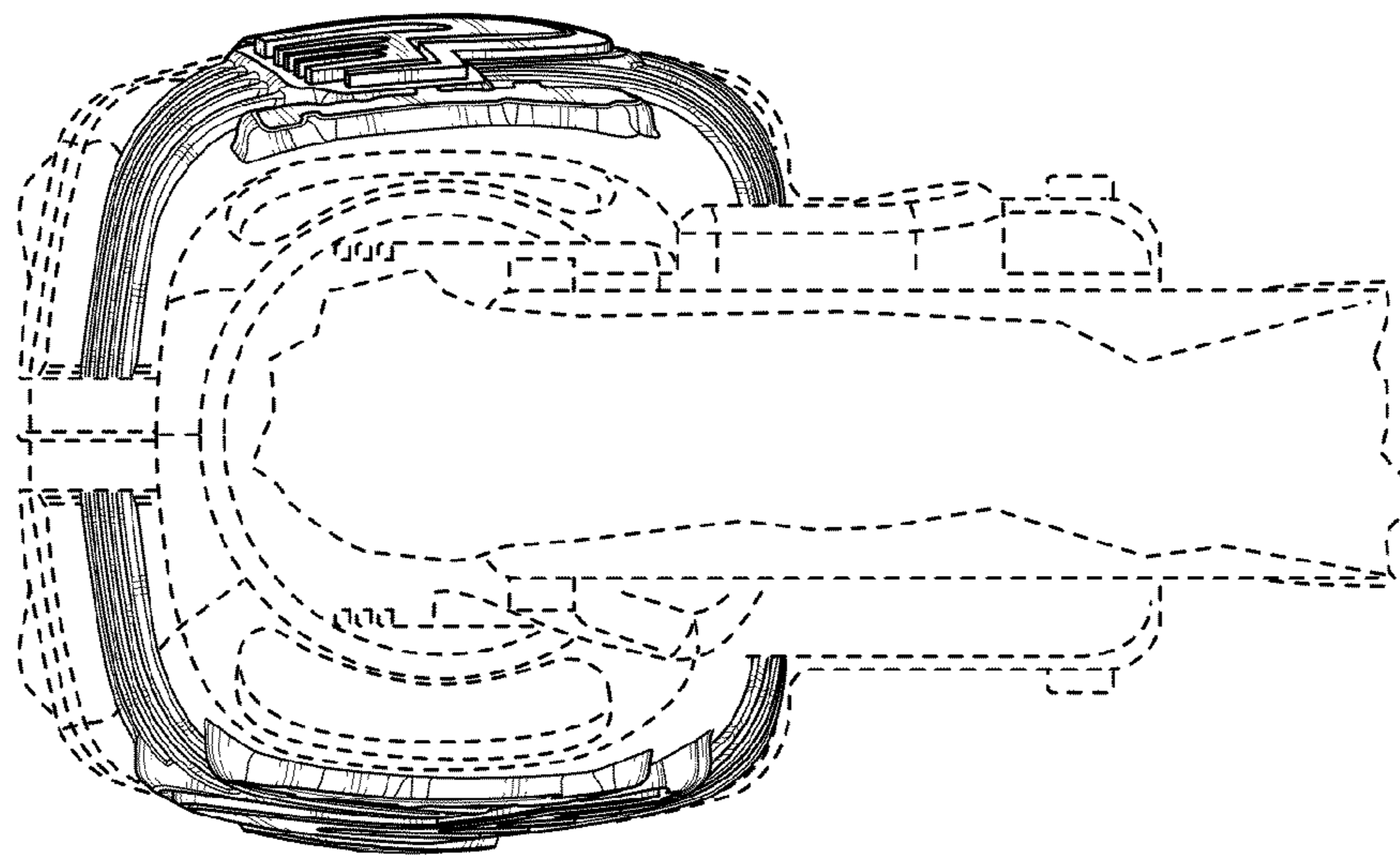


FIG. 7