

US00D691011S

(12) **United States Design Patent**
Walz et al.

(10) **Patent No.:** **US D691,011 S**
(45) **Date of Patent:** **** Oct. 8, 2013**

(54) **CORDLESS ROTARY HAMMER**
(75) Inventors: **Ruprecht Walz**, Stuttgart (DE); **Tobias Koeniger**, Bregenz (AT); **Alexander Toszegi**, Leutenbach (DE); **Ulrich Roessler**, Auenwald (DE)

(73) Assignee: **Hilti Aktiengesellschaft**, Schaan (LI)

(**) Term: **14 Years**

(21) Appl. No.: **29/404,818**

(22) Filed: **Oct. 26, 2011**

(30) **Foreign Application Priority Data**

May 10, 2011 (WO) DM/076 048

(51) **LOC (9) Cl.** **08-03**

(52) **U.S. Cl.**
USPC **D8/69; D8/68**

(58) **Field of Classification Search**
USPC D8/14.1, 61-70; 81/429, 454-456, 81/469, 489; 173/104, 114, 168-171, 178, 173/201, 211, 213, 217; 408/20, 124, 125, 408/234; 388/809
See application file for complete search history.

(56) **References Cited**

U.S. PATENT DOCUMENTS

D491,438 S * 6/2004 Cheung et al. D8/68
D525,849 S * 8/2006 Hayakawa et al. D8/69
D555,451 S * 11/2007 Okuda et al. D8/69
D575,606 S * 8/2008 Okouchi et al. D8/69
D581,235 S * 11/2008 Aglassinger D8/69

D587,547 S * 3/2009 Aglassinger D8/69
D592,028 S * 5/2009 Taniguchi et al. D8/69
D595,101 S * 6/2009 Bast D8/68
D604,583 S * 11/2009 Yamamoto et al. D8/69
D610,478 S * 2/2010 Bast D10/69
D618,529 S * 6/2010 Stirm D8/69
D663,183 S * 7/2012 Sell D8/69
2009/0301746 A1 * 12/2009 Robieu 173/217

* cited by examiner

Primary Examiner — Philip S Hyder

Assistant Examiner — Darlington Ly

(74) *Attorney, Agent, or Firm* — Crowell & Moring LLP

(57) **CLAIM**

The ornamental design for a cordless rotary hammer, as shown and described.

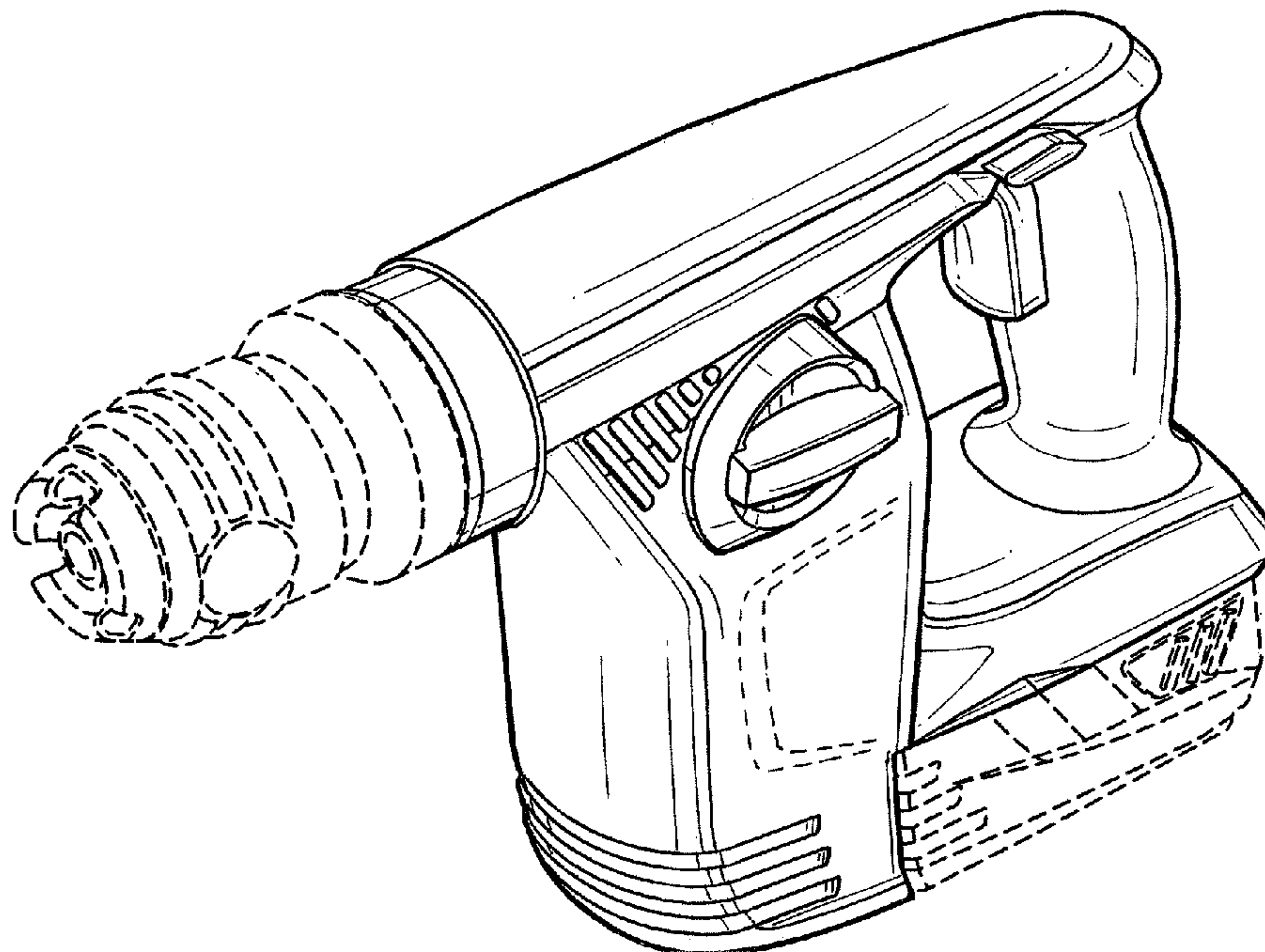
DESCRIPTION

This application contains subject matter related to the following co-pending U.S. design patent application: Application Ser. No. 29/404,819, filed herewith and entitled “Rotary Hammer With Dust Reduction System.”

FIG. 1 is a left, top, front perspective view of a fourth embodiment of the cordless rotary hammer according to our design; FIG. 2 is a right, bottom, rear perspective view thereof; FIG. 3 is a right side view thereof; FIG. 4 is a left side view thereof; FIG. 5 is a front view thereof; FIG. 6 is a rear view thereof; FIG. 7 is a top view thereof; and, FIG. 8 is a bottom view thereof.

The broken lines shown in the drawings illustrate portions of the cordless rotary hammer that form no part of the claimed design.

1 Claim, 6 Drawing Sheets



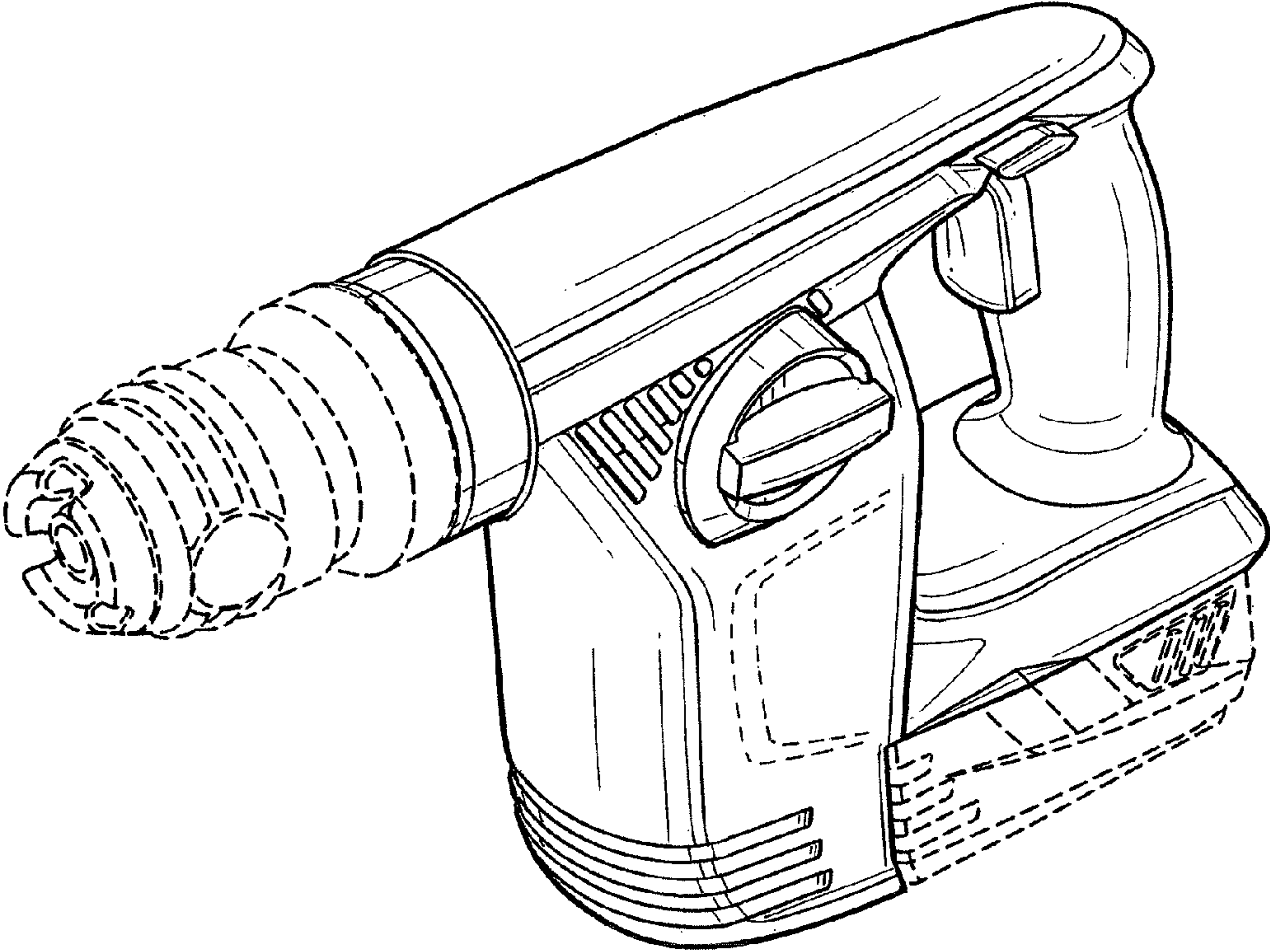


FIG. 1

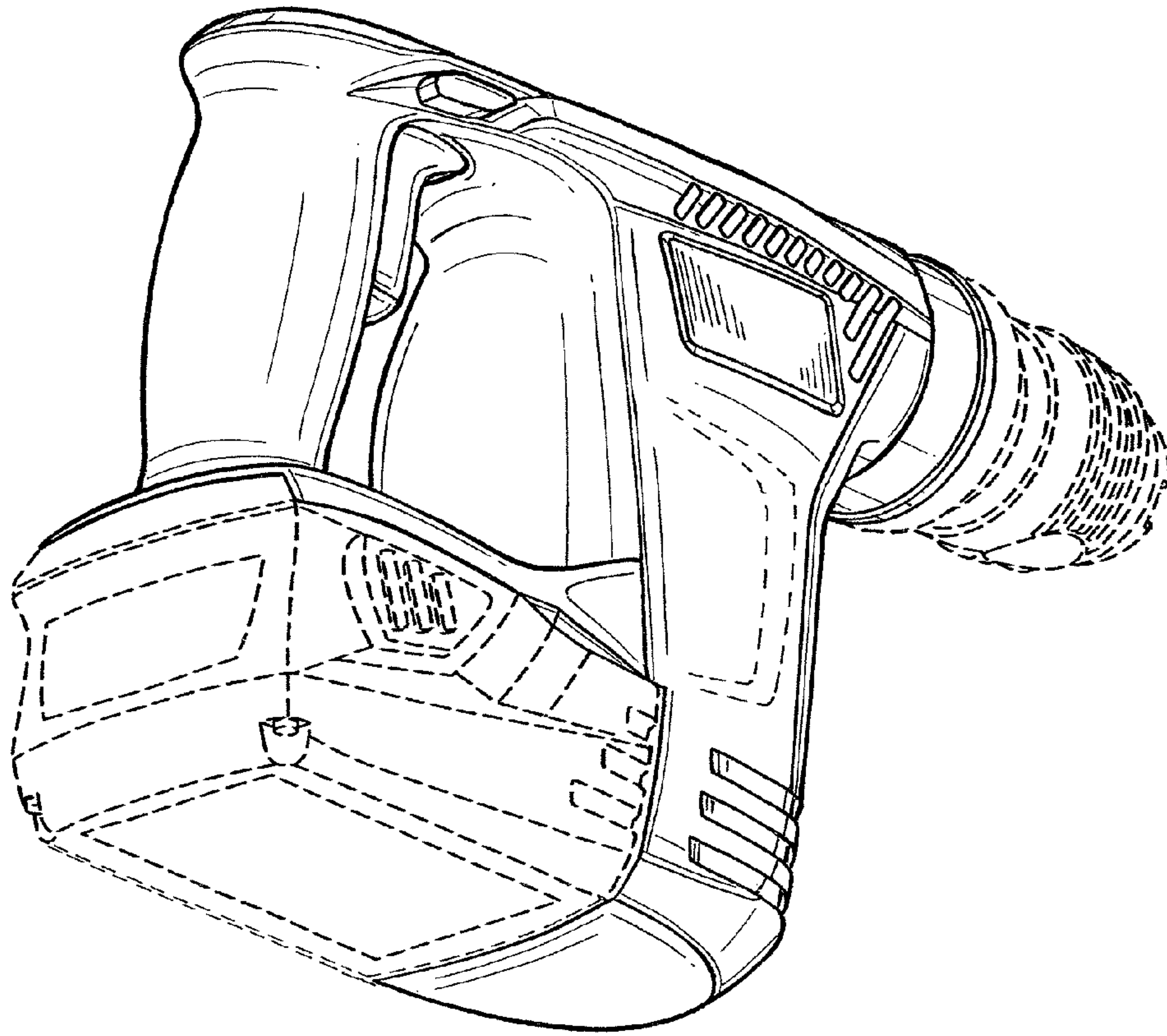


FIG. 2

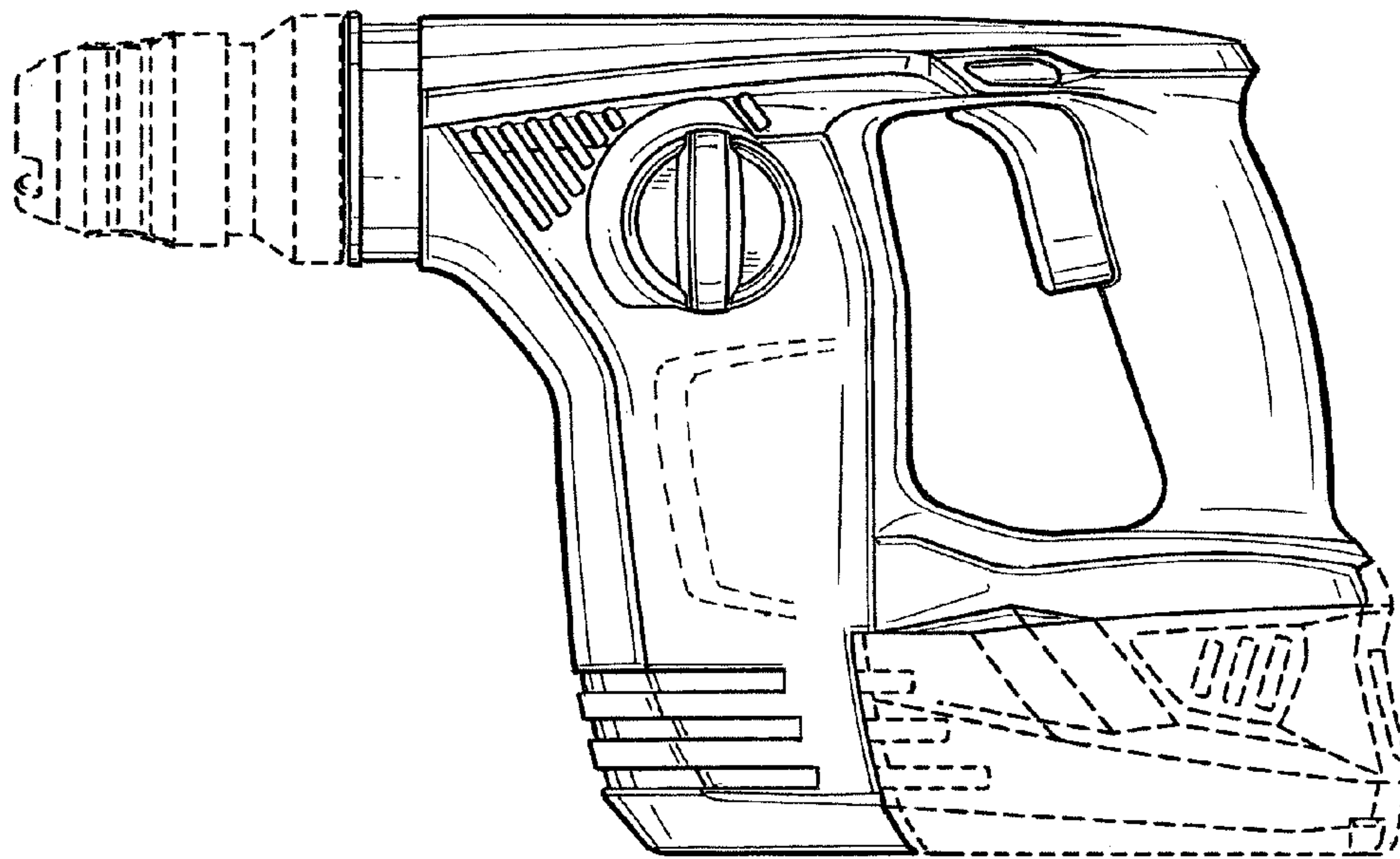


FIG. 3

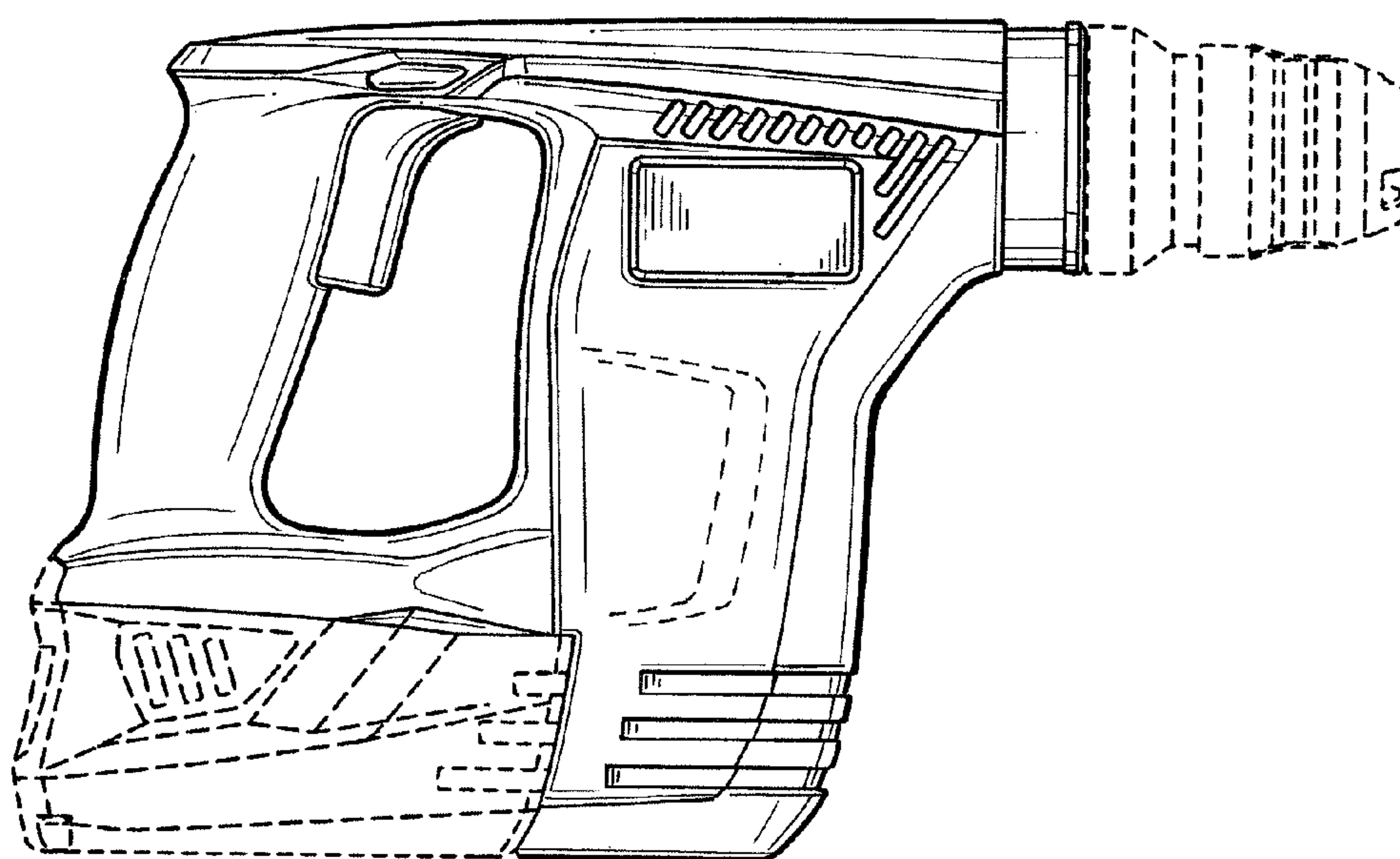


FIG. 4

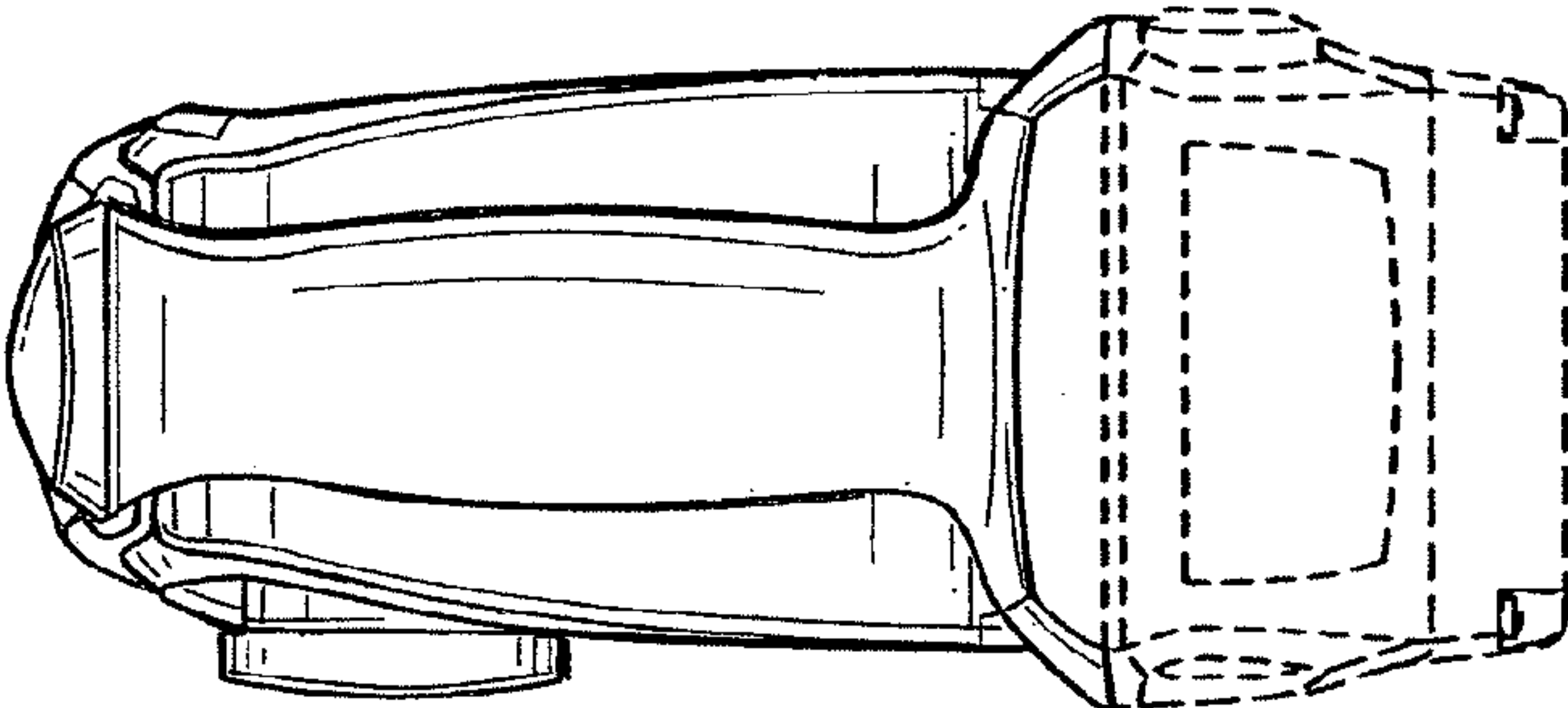


FIG. 6

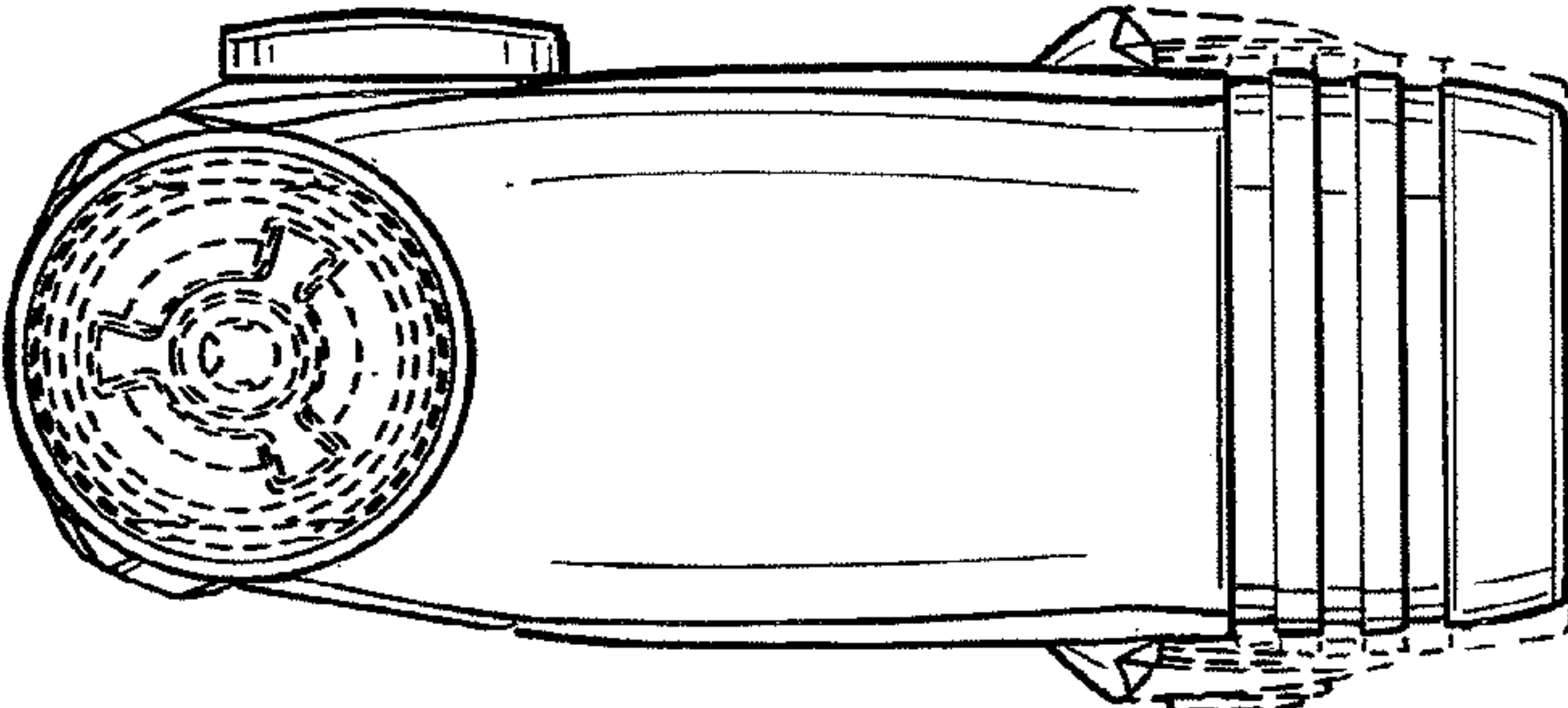


FIG. 5

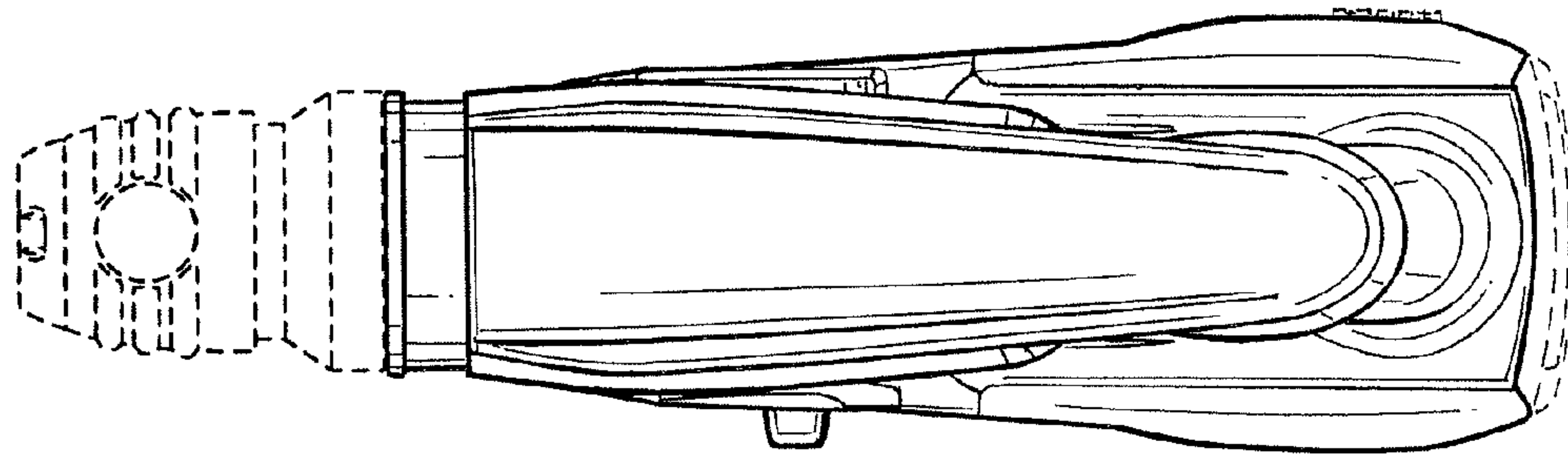


FIG. 7

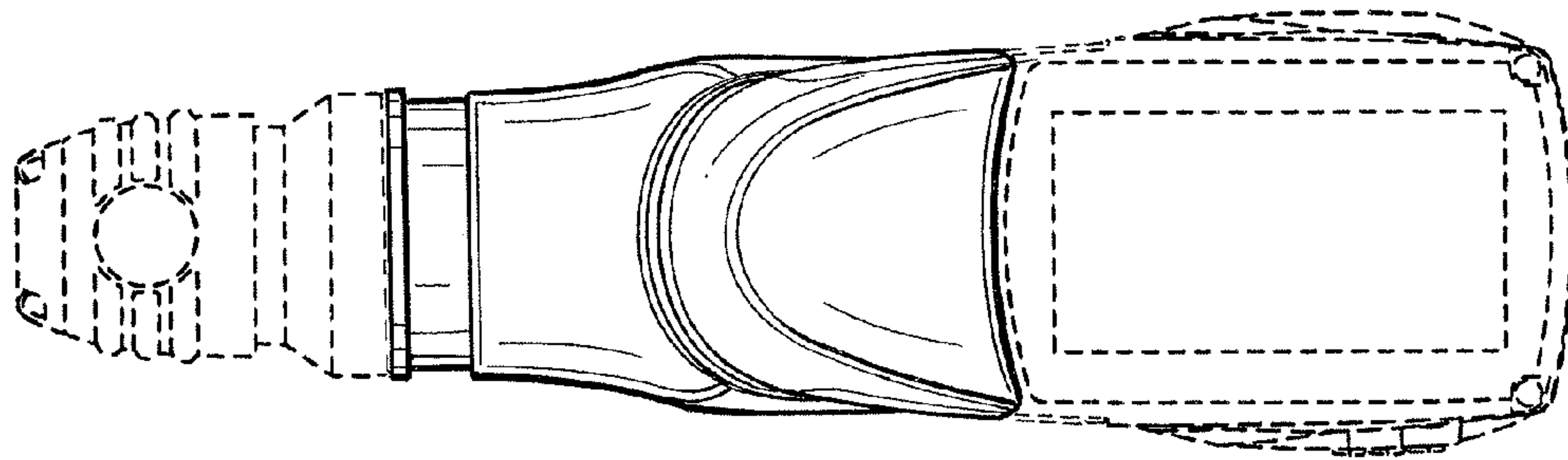


FIG. 8