

US00D691010S

(12) **United States Design Patent**
Ronan

(10) **Patent No.:** **US D691,010 S**

(45) **Date of Patent:** **** Oct. 8, 2013**

(54) **PVC CUTTER BLADE-HOLDING JAW COMPONENT**

(76) Inventor: **John S. Ronan**, Temecula, CA (US)

(**) Term: **14 Years**

(21) Appl. No.: **29/418,817**

(22) Filed: **Apr. 21, 2012**

(51) **LOC (9) Cl.** **08-05**

(52) **U.S. Cl.**
USPC **D8/52**

(58) **Field of Classification Search**
USPC D8/51, 52, 4, 5, 98, 107; 30/287,
30/257, 251-254, 191-192, 261-262
See application file for complete search history.

(56) **References Cited**

U.S. PATENT DOCUMENTS

| | | | | | | |
|-----------|----|---|---------|------------------|-------|--------|
| 4,674,184 | A | * | 6/1987 | Anderson | | 30/92 |
| D398,499 | S | * | 9/1998 | Ronan | | D8/52 |
| D399,398 | S | * | 10/1998 | Neyton | | D8/52 |
| D424,899 | S | * | 5/2000 | Jaime | | D8/52 |
| D427,036 | S | * | 6/2000 | Ronan | | D8/52 |
| D455,329 | S | * | 4/2002 | Renner | | D8/98 |
| 6,370,780 | B1 | * | 4/2002 | Robertson et al. | | 30/261 |
| D457,791 | S | * | 5/2002 | Clivio | | D8/5 |
| D461,108 | S | * | 8/2002 | Herzog et al. | | D8/52 |
| D464,539 | S | * | 10/2002 | Richwine et al. | | D8/5 |
| D464,541 | S | * | 10/2002 | Richwine et al. | | D8/5 |
| D467,476 | S | * | 12/2002 | Lai et al. | | D8/5 |
| D609,541 | S | * | 2/2010 | Hutchfield | | D8/52 |

| | | | | | | |
|--------------|----|---|---------|------------------|-------|--------|
| D625,978 | S | * | 10/2010 | Zeng | | D8/52 |
| D628,031 | S | * | 11/2010 | Stokes et al. | | D8/5 |
| 7,886,446 | B2 | * | 2/2011 | Yu Chen | | 30/175 |
| D648,197 | S | * | 11/2011 | Lin | | D8/52 |
| D652,276 | S | * | 1/2012 | Good | | D8/52 |
| 2008/0141538 | A1 | * | 6/2008 | Nandkumar et al. | | 30/92 |

* cited by examiner

Primary Examiner — Sheryl Lane

(74) *Attorney, Agent, or Firm* — Loyal McKinley Hanson

(57) **CLAIM**

I claim the ornamental design for a PVC cutter blade-holding jaw component, as shown and described.

DESCRIPTION

FIG. 1 of the drawings is a reduced-in-scale environmental view showing the front, left side, and top of a portion of a PVC cutter blade-holding jaw component embodying the design of my invention in its usual environment as part of a PVC cutter that is shown in the broken lines;

FIG. 2 is a perspective view showing the front, left side, and top of just the PVC cutter blade-holding jaw component;

FIG. 3 is a back elevation view;

FIG. 4 is a front elevation plan view;

FIG. 5 is bottom view.

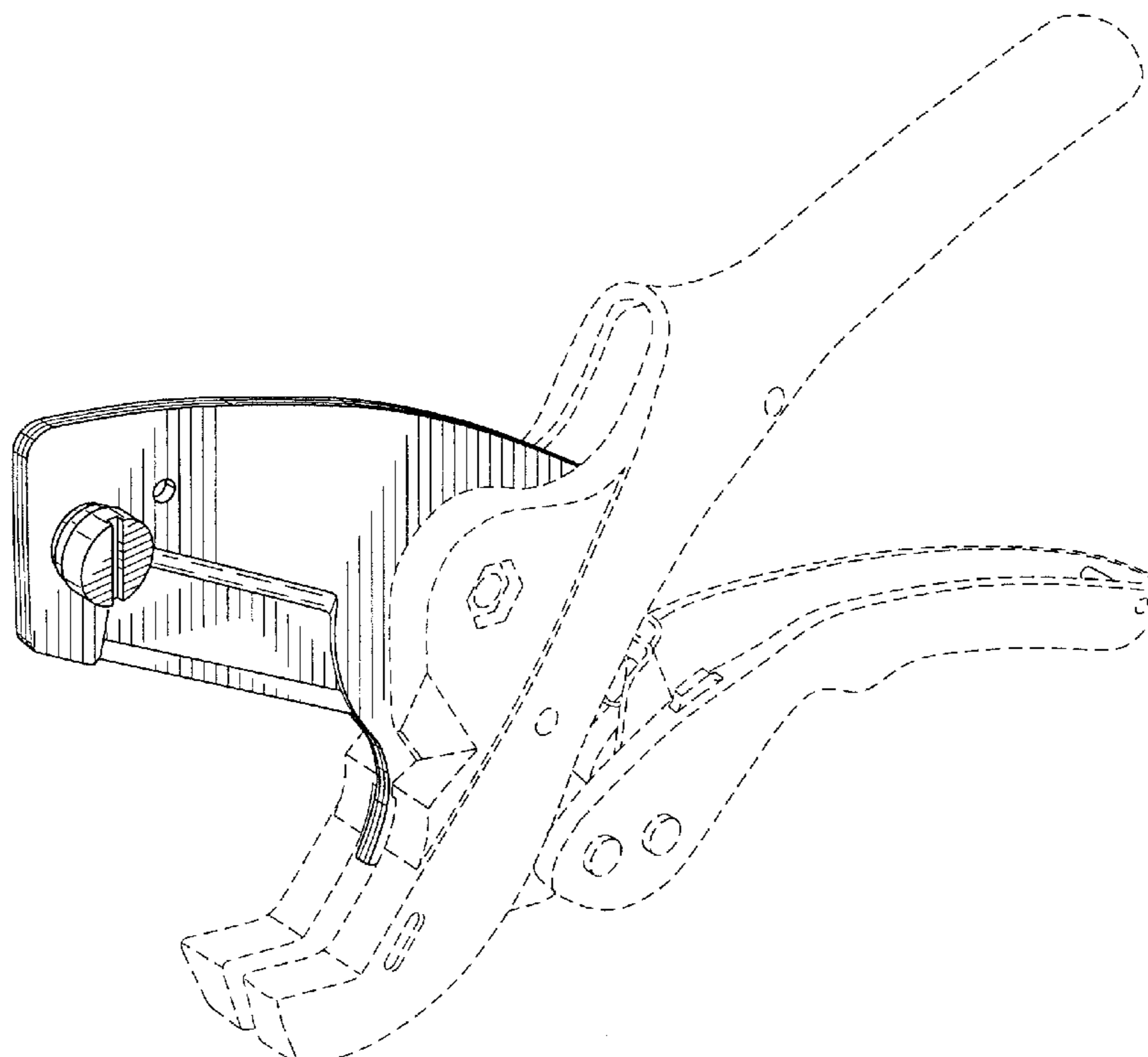
FIG. 6 is a left side elevation view;

FIG. 7 is a top view; and,

FIG. 8 is a right side elevation view.

The broken lines are included for showing portions of the article and form no part of the claimed design.

1 Claim, 3 Drawing Sheets



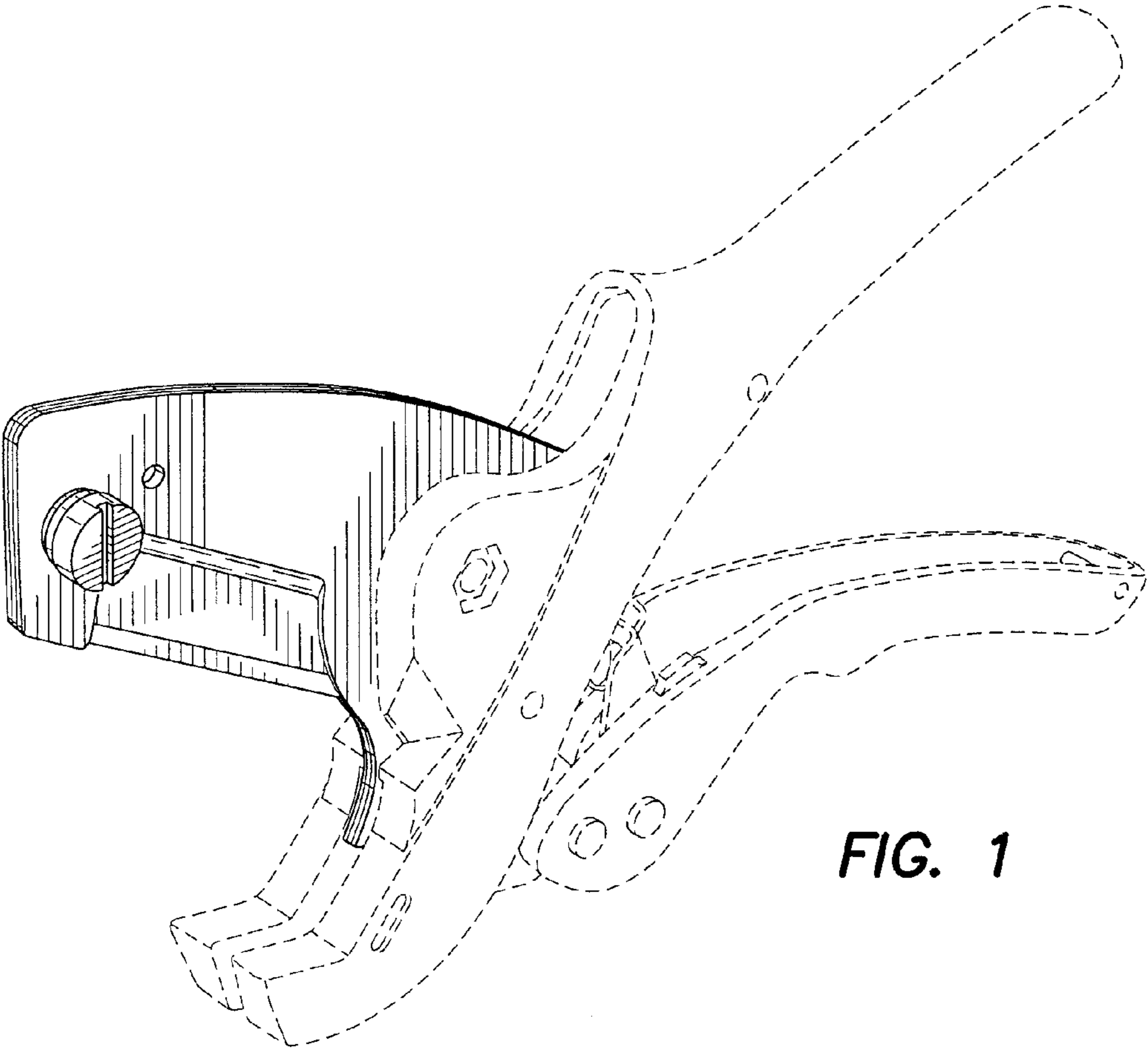


FIG. 2

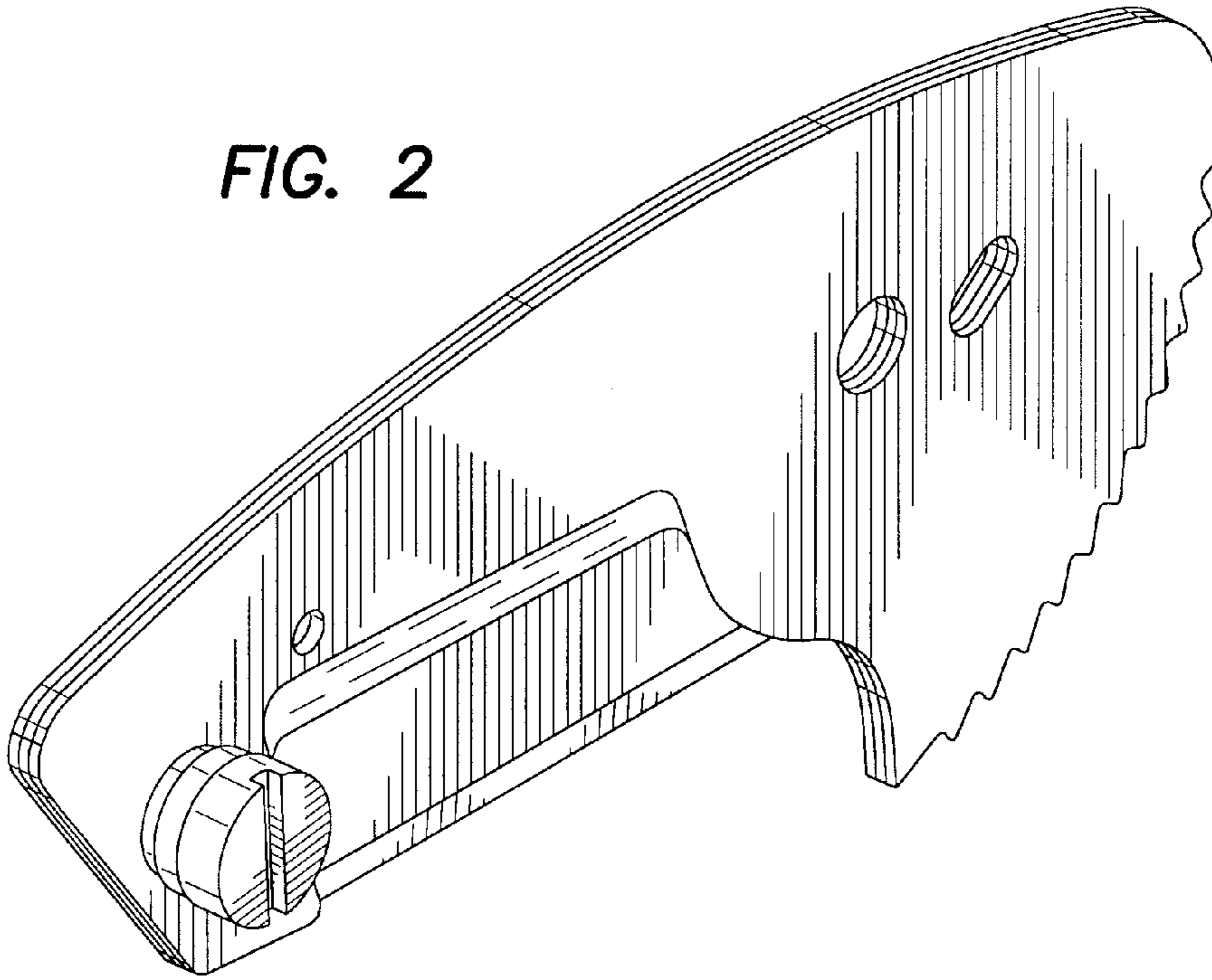


FIG. 3

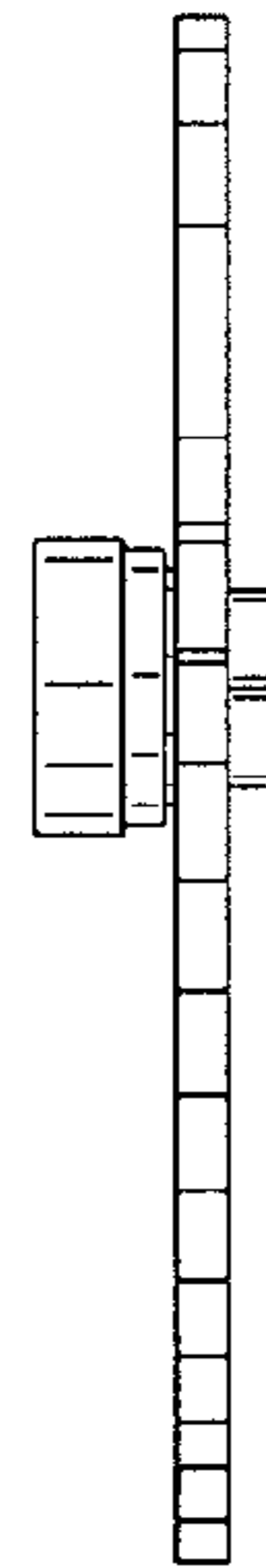


FIG. 4

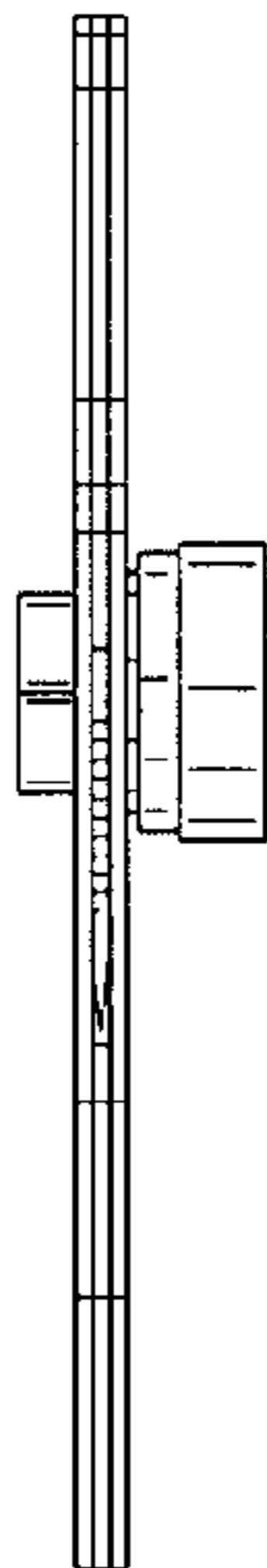


FIG. 5



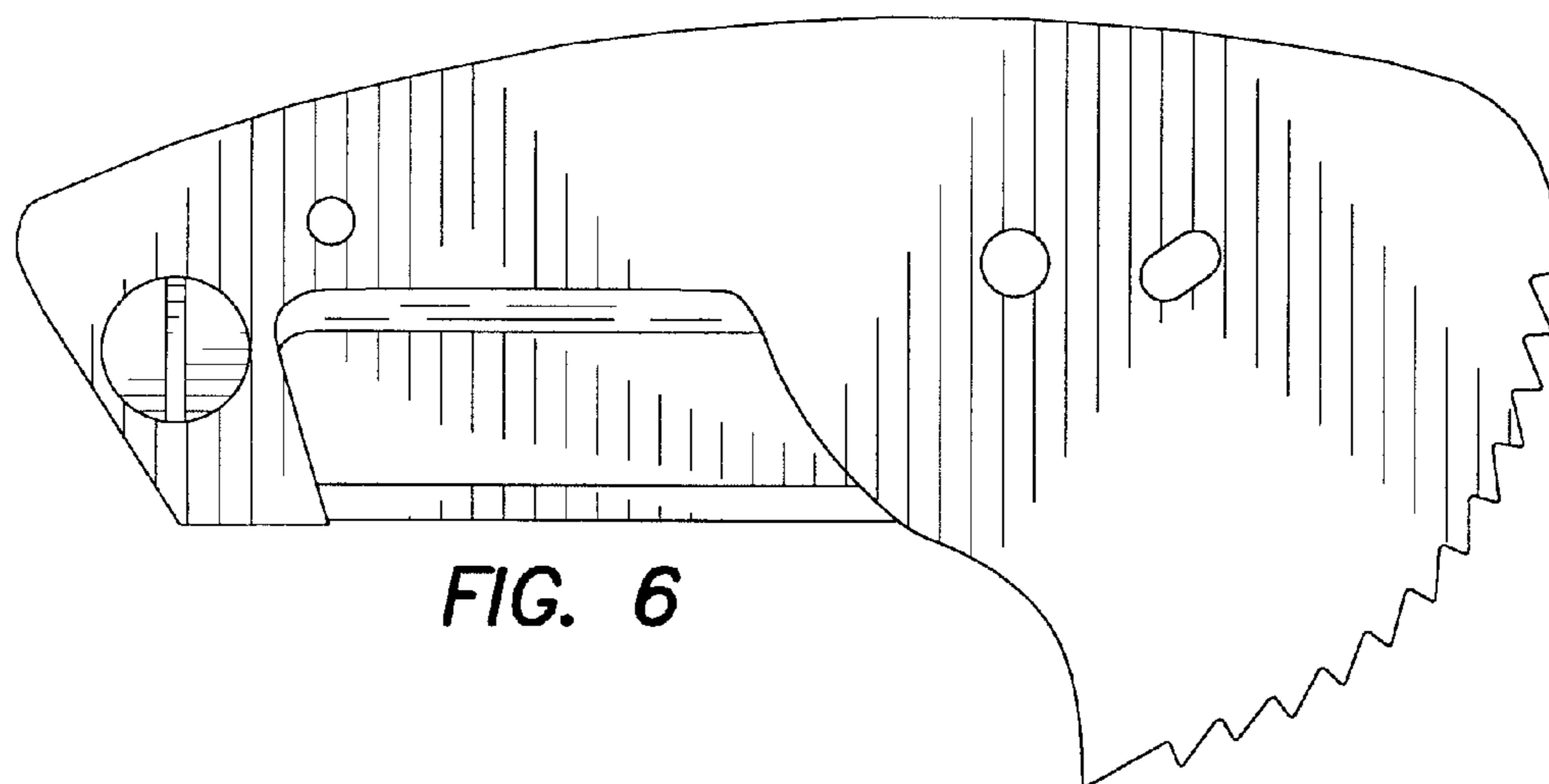


FIG. 6

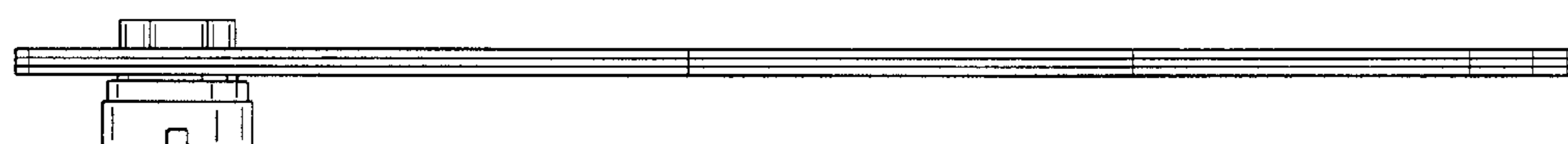


FIG. 7

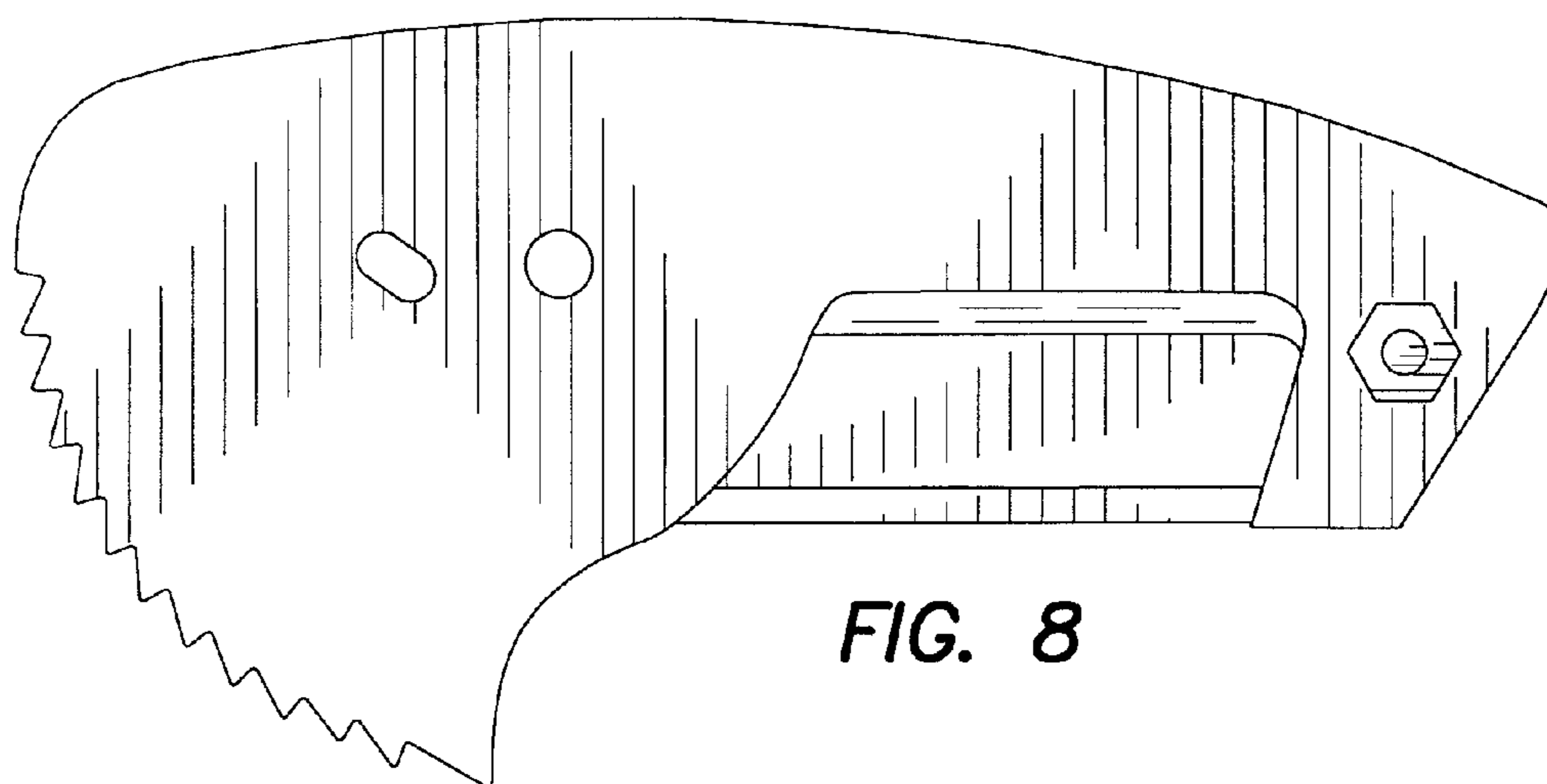


FIG. 8