



US00D691003S

(12) **United States Design Patent**  
**Mahoney et al.**

(10) **Patent No.:** **US D691,003 S**

(45) **Date of Patent:** **\*\* \*Oct. 8, 2013**

(54) **PLANT ROOT WATERING DEVICE**

(71) Applicants: **Constance D. Mahoney**, Charlevoix, MI (US); **Keith H. Mahoney**, Charlevoix, MI (US); **Paul C. Belding**, Charlevoix, MI (US)

(72) Inventors: **Constance D. Mahoney**, Charlevoix, MI (US); **Keith H. Mahoney**, Charlevoix, MI (US); **Paul C. Belding**, Charlevoix, MI (US)

(\*) Notice: This patent is subject to a terminal disclaimer.

(\*\*) Term: **14 Years**

(21) Appl. No.: **29/436,441**

(22) Filed: **Nov. 6, 2012**

(51) **LOC (9) Cl.** ..... **08-01**

(52) **U.S. Cl.**  
USPC ..... **D8/1**

(58) **Field of Classification Search**  
USPC ..... D8/1; 47/48.5, 79; D7/667, 668; 4/286; 248/27.8; 210/464

See application file for complete search history.

(56) **References Cited**

**U.S. PATENT DOCUMENTS**

73,442 A	1/1868	Fish	
1,424,157 A	8/1922	Cook	
D158,596 S *	5/1950	Lack	D8/1
3,302,324 A *	2/1967	MacDonald et al.	47/79
4,087,938 A	5/1978	Koch	
4,336,666 A	6/1982	Caso	

4,361,983 A	12/1982	Wilson	
D332,377 S *	1/1993	Aditya	D7/667
D360,116 S	7/1995	Fillipp	
D385,756 S *	11/1997	Licari	D7/667
5,956,899 A	9/1999	DiOrio	
6,128,856 A	10/2000	Doan	
D450,106 S *	11/2001	Herr	D23/261
6,345,470 B1	2/2002	Slaght et al.	
D456,225 S	4/2002	Kohn et al.	
6,453,607 B1	9/2002	Dewey	
6,598,338 B2	7/2003	Buss et al.	
6,601,339 B1	8/2003	Parker et al.	
D571,163 S *	6/2008	Gillan	D7/667
7,441,369 B1	10/2008	McAtee	
7,703,240 B2	4/2010	Watson et al.	
D644,072 S *	8/2011	McDonald et al.	D7/667
D651,694 S *	1/2012	Clark	D23/261
D652,661 S *	1/2012	Lipfert et al.	D6/556
D658,827 S *	5/2012	Lipscomb et al.	D30/162
2011/0056128 A1	3/2011	King	

\* cited by examiner

*Primary Examiner* — Sheryl Lane

(74) *Attorney, Agent, or Firm* — Dickinson Wright PLLC

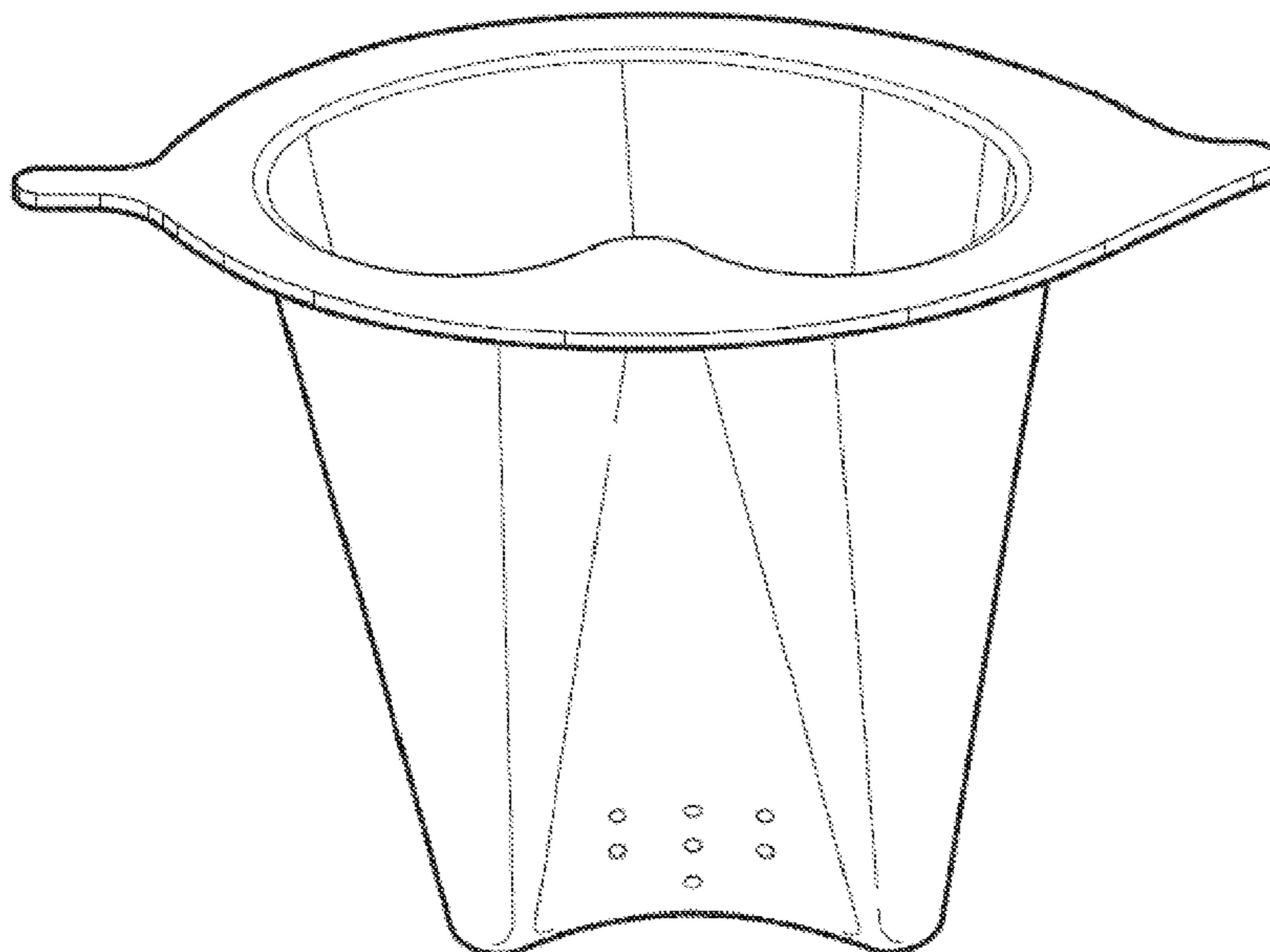
(57) **CLAIM**

The ornamental design for a plant root watering device, as shown and described.

**DESCRIPTION**

FIG. 1 is a perspective view of the plant root watering device; FIG. 2 is a top view of the plant root watering device; FIG. 3 is a front view of the plant root watering device; FIG. 4 is a side view of the plant root watering device; FIG. 5 is a bottom view of the plant root watering device; FIG. 6 is a back view of the plant root watering device; and, FIG. 7 is a side view of the plant root watering device.

**1 Claim, 3 Drawing Sheets**



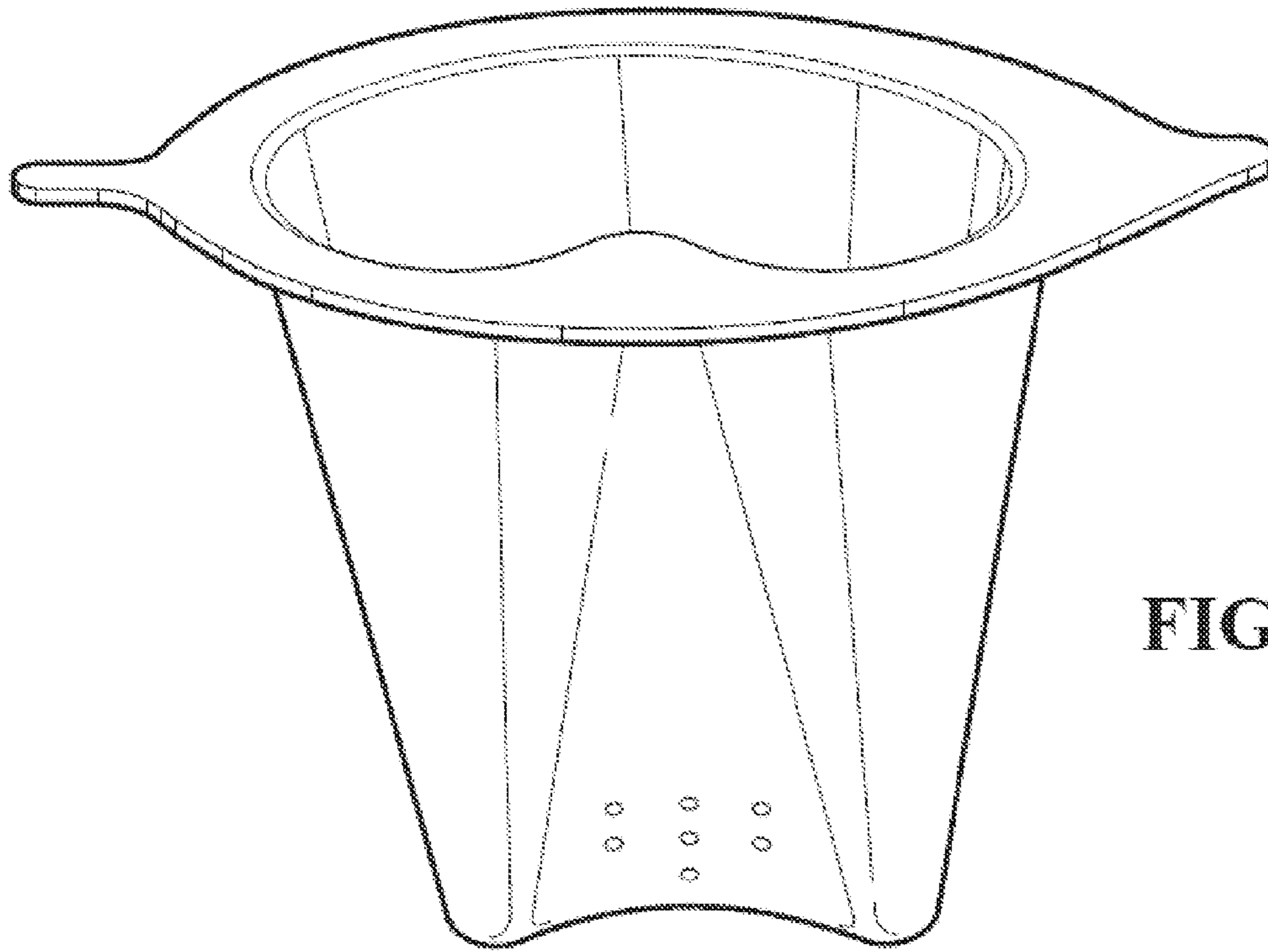


FIG. 1

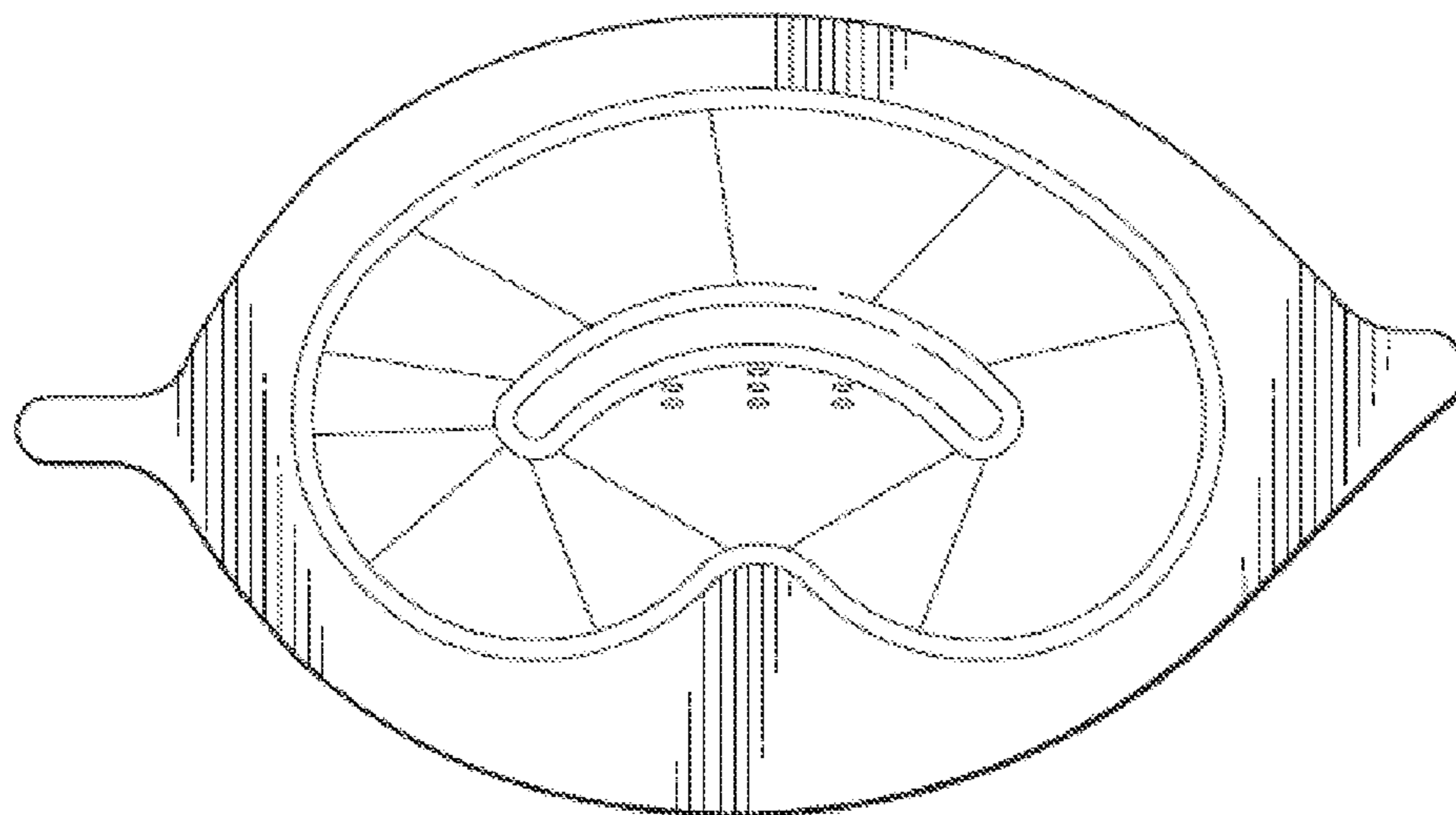


FIG. 2

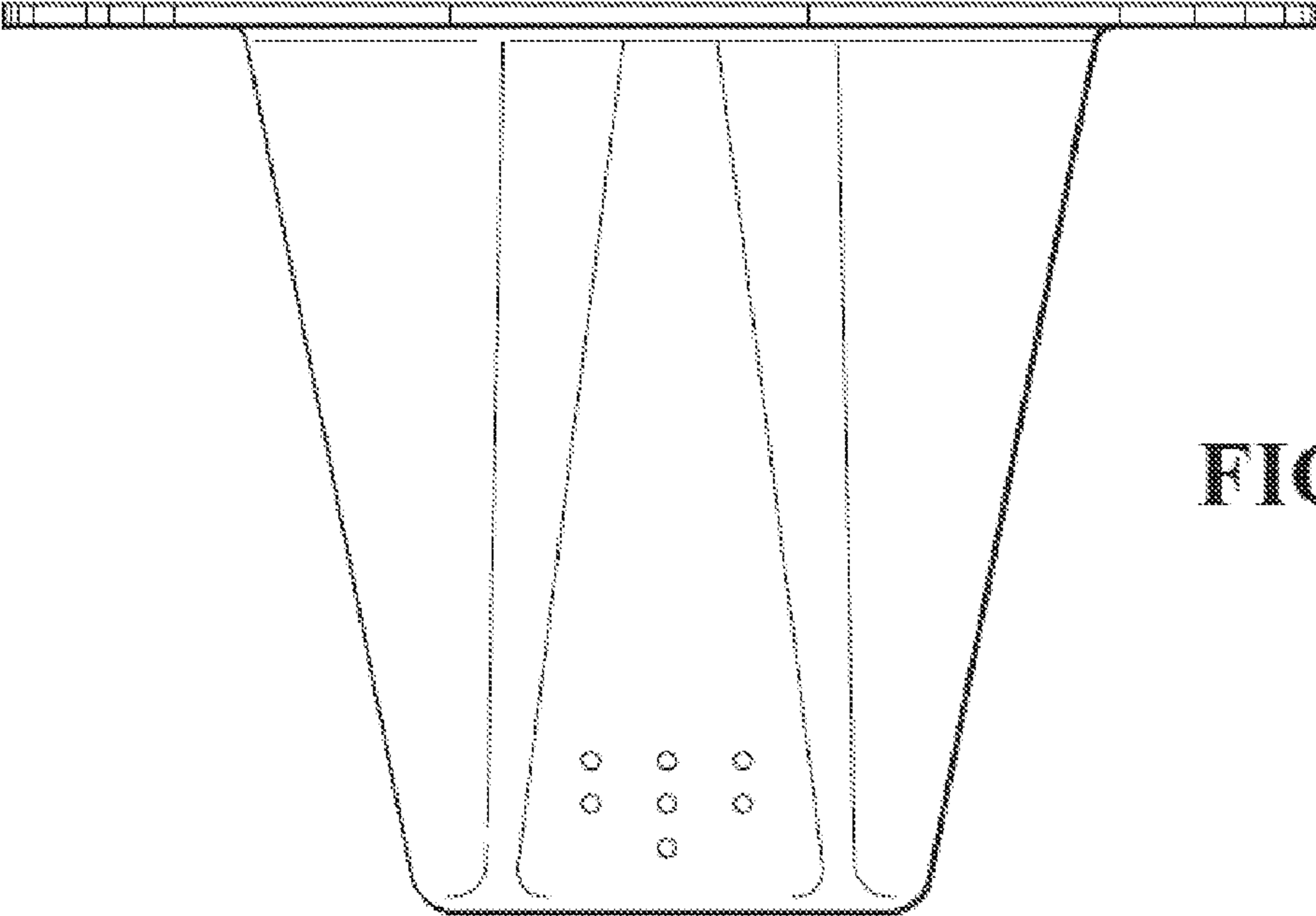


FIG. 3

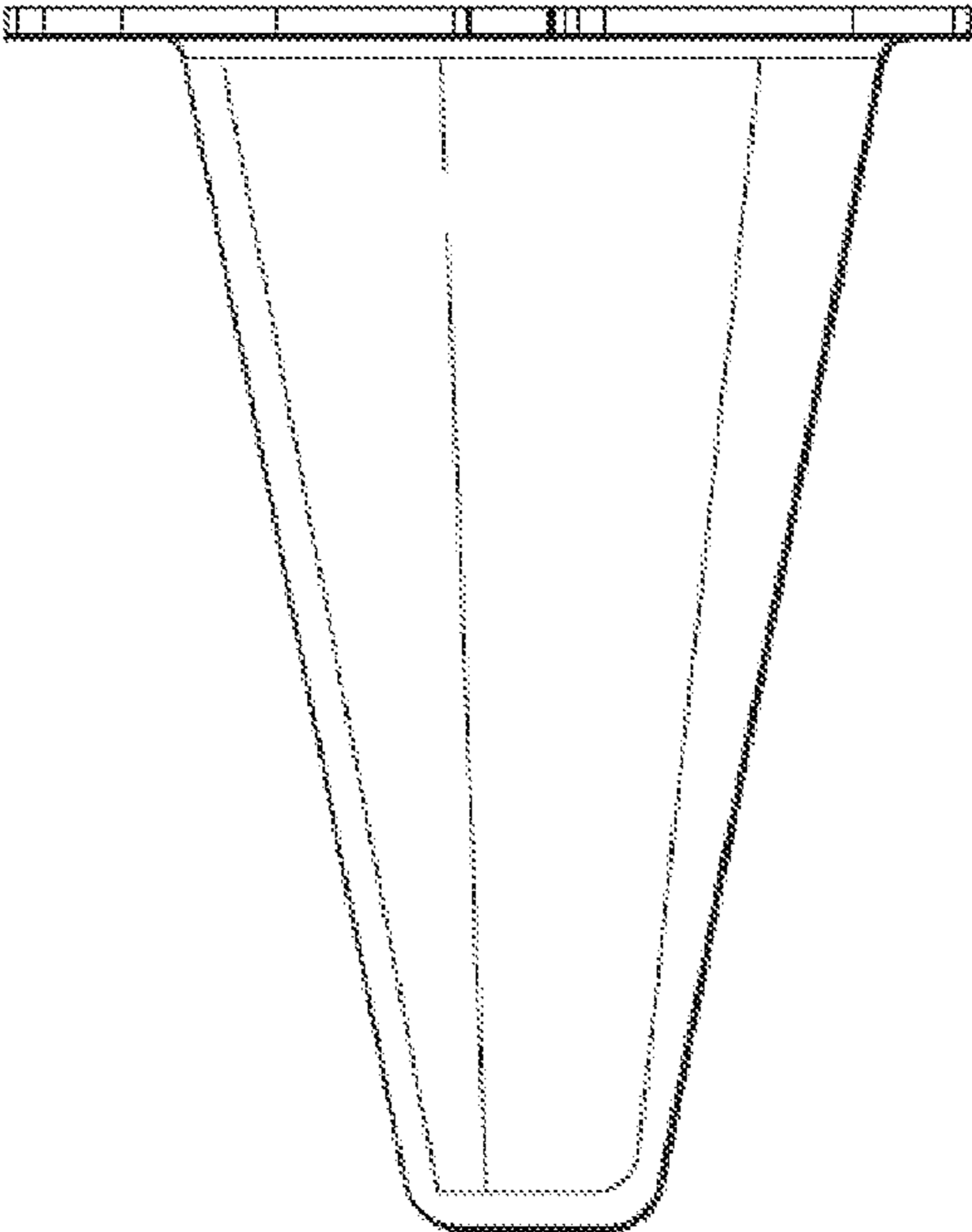


FIG. 4

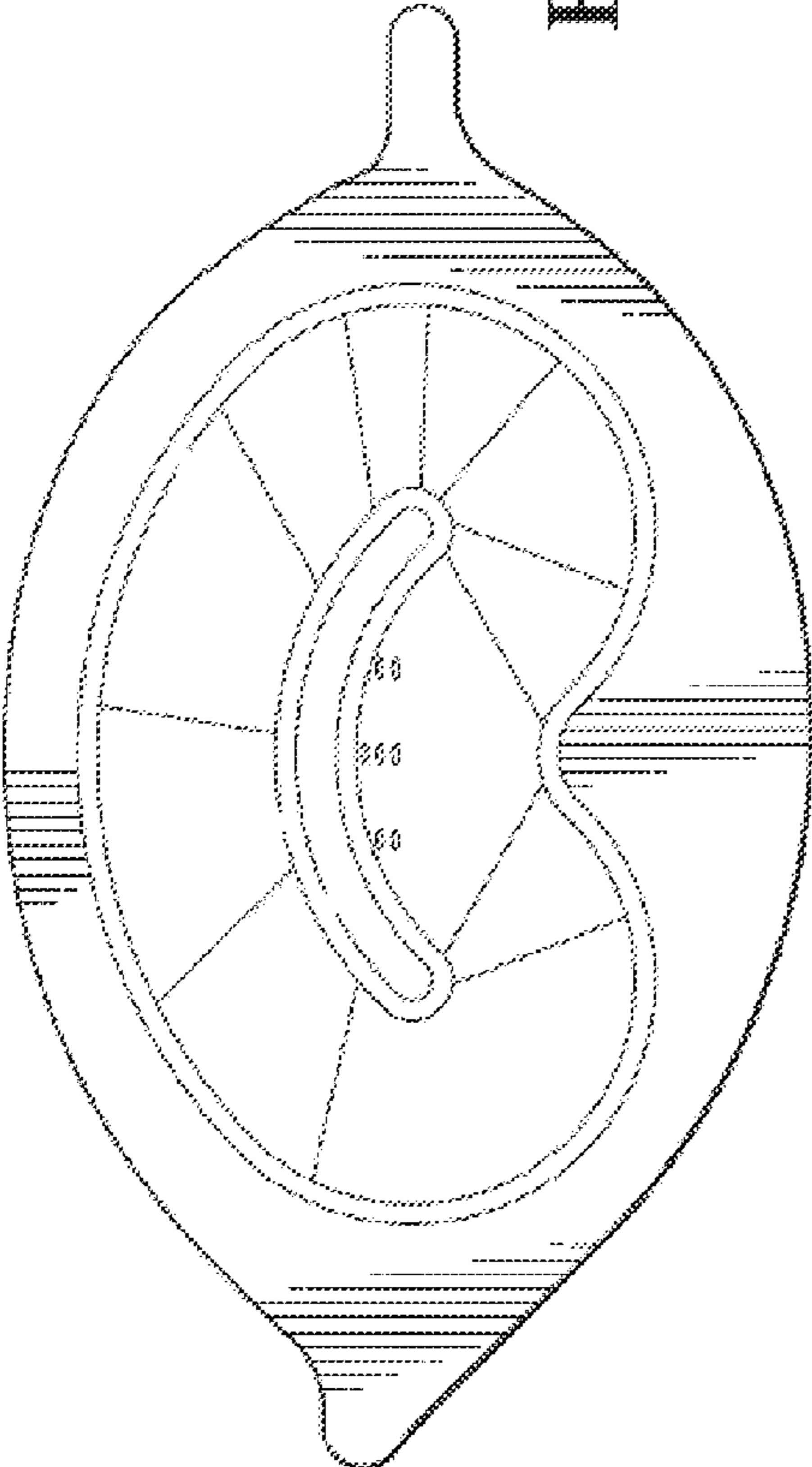


FIG. 5

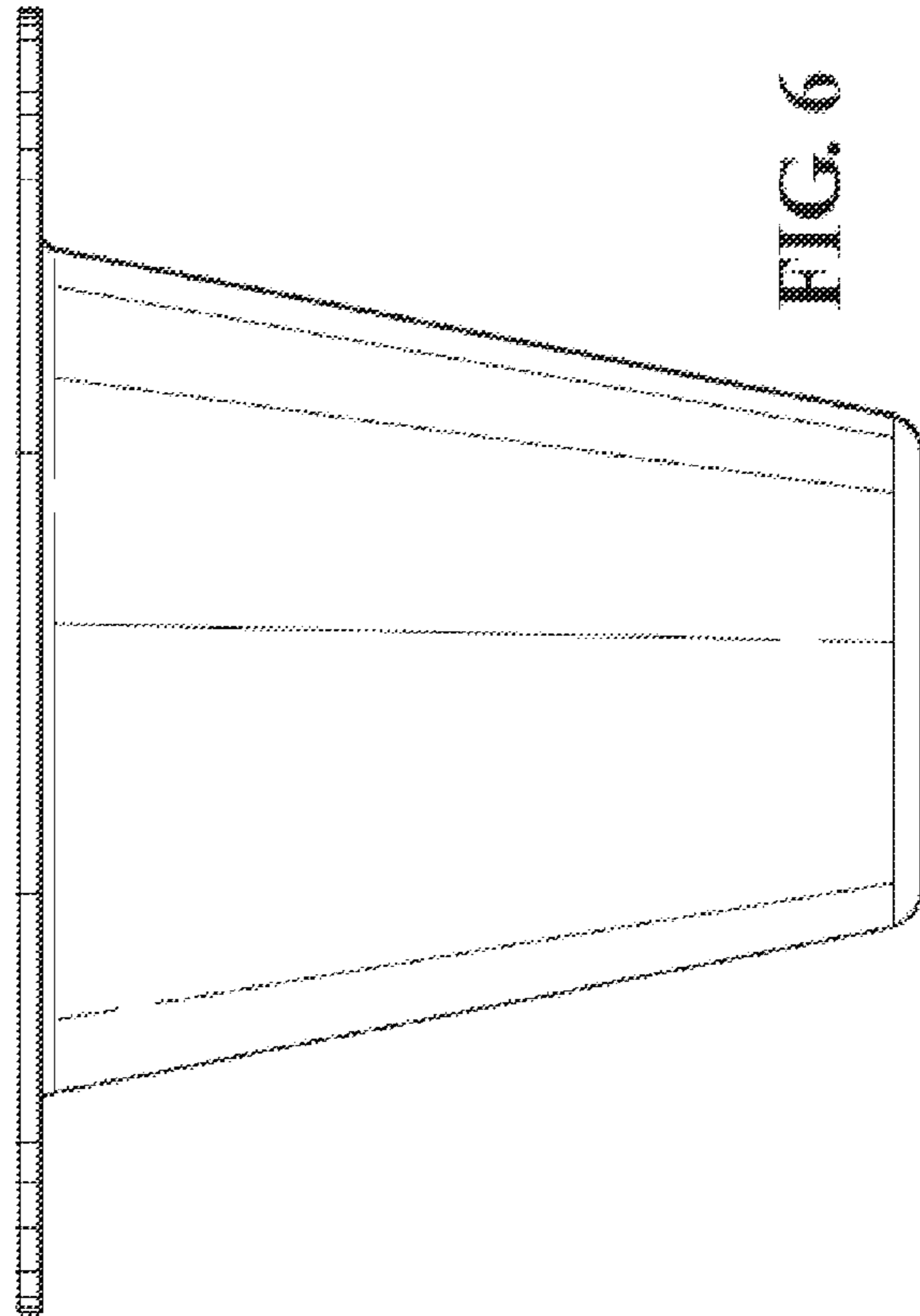


FIG. 6

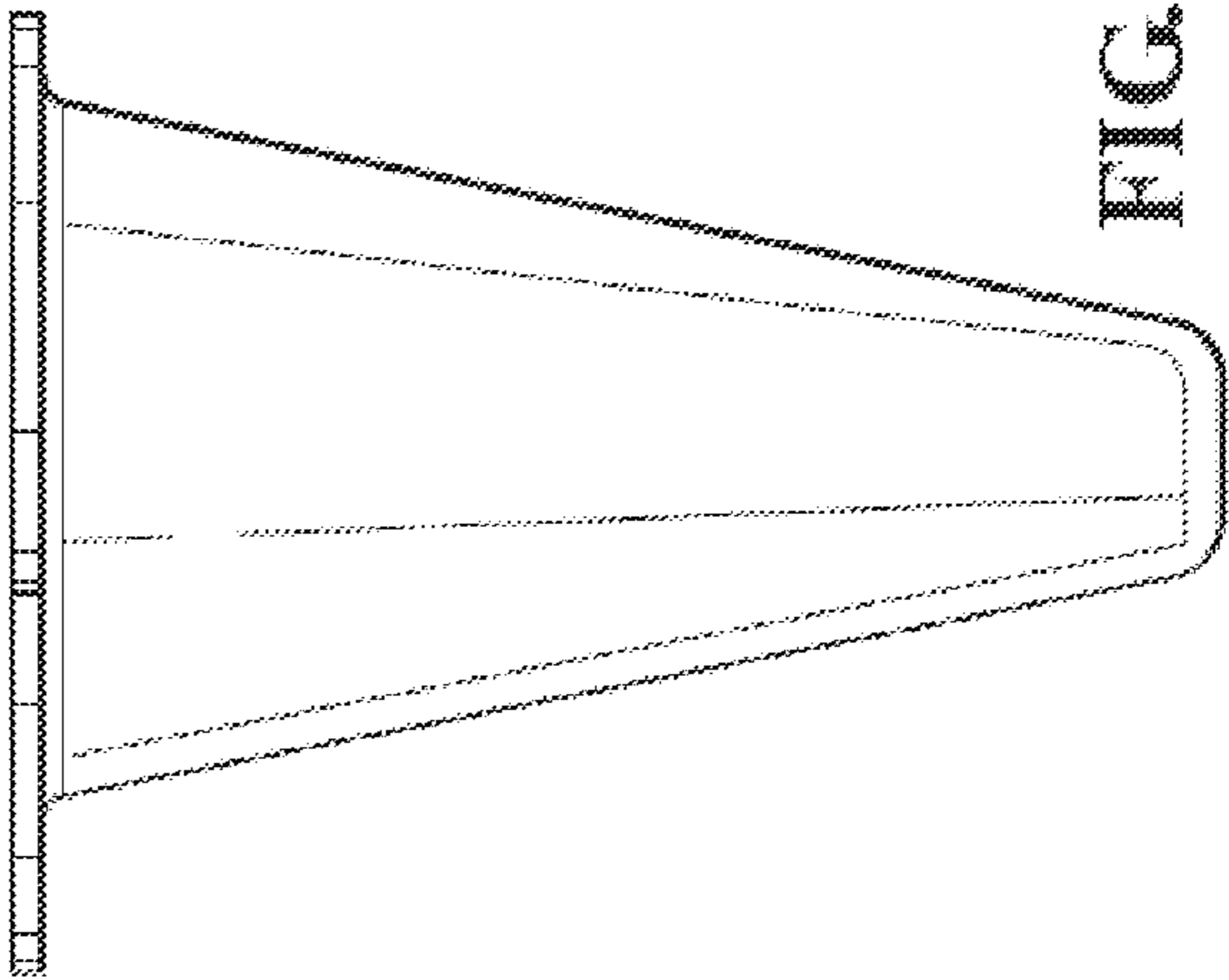


FIG. 7