



US00D691002S

(12) **United States Design Patent**
Zemel et al.

(10) **Patent No.:** **US D691,002 S**

(45) **Date of Patent:** **** Oct. 8, 2013**

(54) **UTENSIL**

(71) Applicant: **Mr. Bar-B-Q-, Inc.**, Old Bethpage, NY (US)

(72) Inventors: **Marc Zemel**, Melville, NY (US); **Adam Schillen**, Dix Hills, NY (US)

(73) Assignee: **Ferrellgas Real Estate, Inc.**, Liberty, MO (US)

(**) Term: **14 Years**

(21) Appl. No.: **29/436,124**

(22) Filed: **Nov. 1, 2012**

(51) **LOC (9) Cl.** **07-04**

(52) **U.S. Cl.**
USPC **D7/696; D7/650**

(58) **Field of Classification Search**
USPC D7/393, 395, 401.2, 680-696, 642-653, D7/662-664; D8/20, 98-99; 7/110, 112, 7/113; 30/113.1, 115, 123.5, 123.7, 124-125, 30/128, 142-143, 147-149, 286, 279.2, 279.6, 30/316, 353, 356, 346, 394; D22/117-118
See application file for complete search history.

(56) **References Cited**

U.S. PATENT DOCUMENTS

D29,378 S * 9/1898 Hadden D7/693
1,452,930 A * 4/1923 Polk 30/356

3,299,510 A * 1/1967 Taormina 30/279.6
3,618,208 A * 11/1971 Cronheim 30/113.1
4,970,786 A * 11/1990 Harper 30/123.7
D375,876 S * 11/1996 Allison D7/696
5,852,875 A * 12/1998 Dolah 30/113.1
5,937,524 A * 8/1999 Hornsby 30/113.1
D428,312 S * 7/2000 O'Brien et al. D7/693
D546,135 S * 7/2007 Ricks D7/650
D610,884 S 3/2010 Rabanal

* cited by examiner

Primary Examiner — Terry Wallace

(74) *Attorney, Agent, or Firm* — Carter, DeLuca, Farrell & Schmidt LLP

(57) **CLAIM**

The ornamental design for a utensil, as shown and described.

DESCRIPTION

FIG. 1 is a perspective view of a utensil in accordance with the present design;

FIG. 2 is a top plan view thereof;

FIG. 3 is a bottom plan view thereof;

FIG. 4 is a right side elevational view thereof;

FIG. 5 is a left side elevational view thereof;

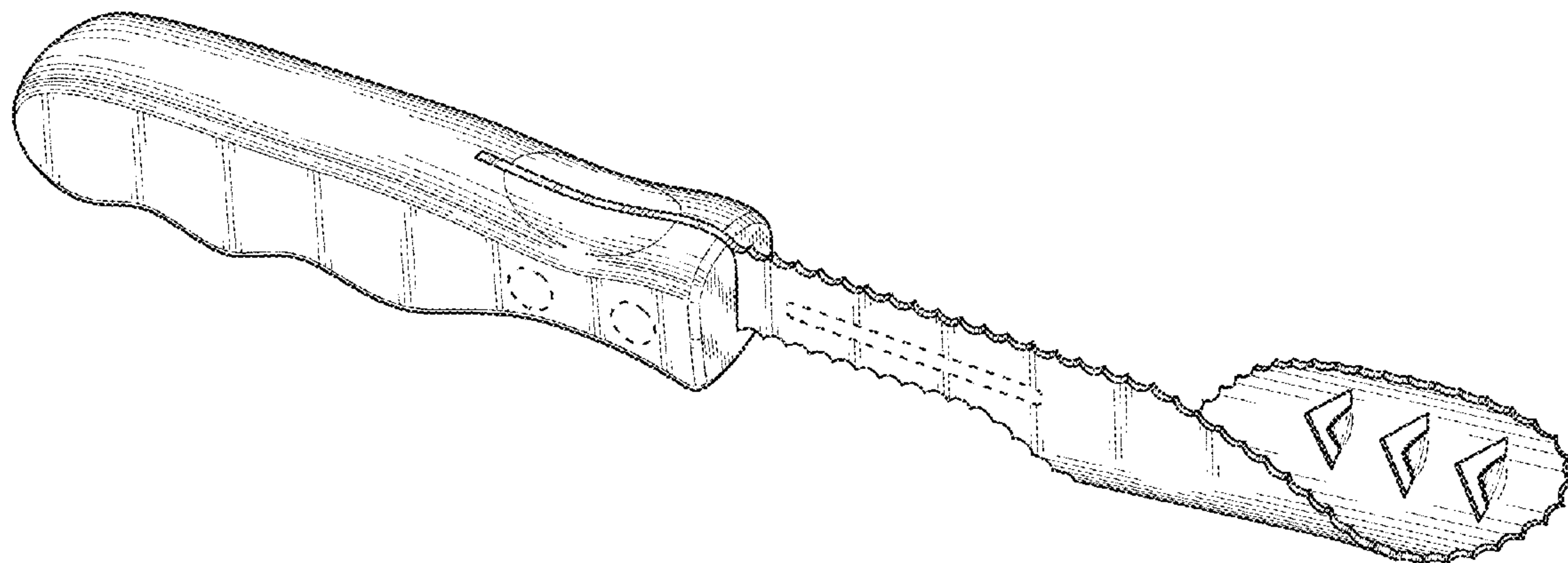
FIG. 6 is a front side elevational view thereof; and,

FIG. 7 is a rear side elevational view thereof.

The broken lines shown are included for the purpose of illustrating a portion of the utensil that forms no part of the claimed design.

The stippling in the drawings is for shading purposes only.

1 Claim, 4 Drawing Sheets



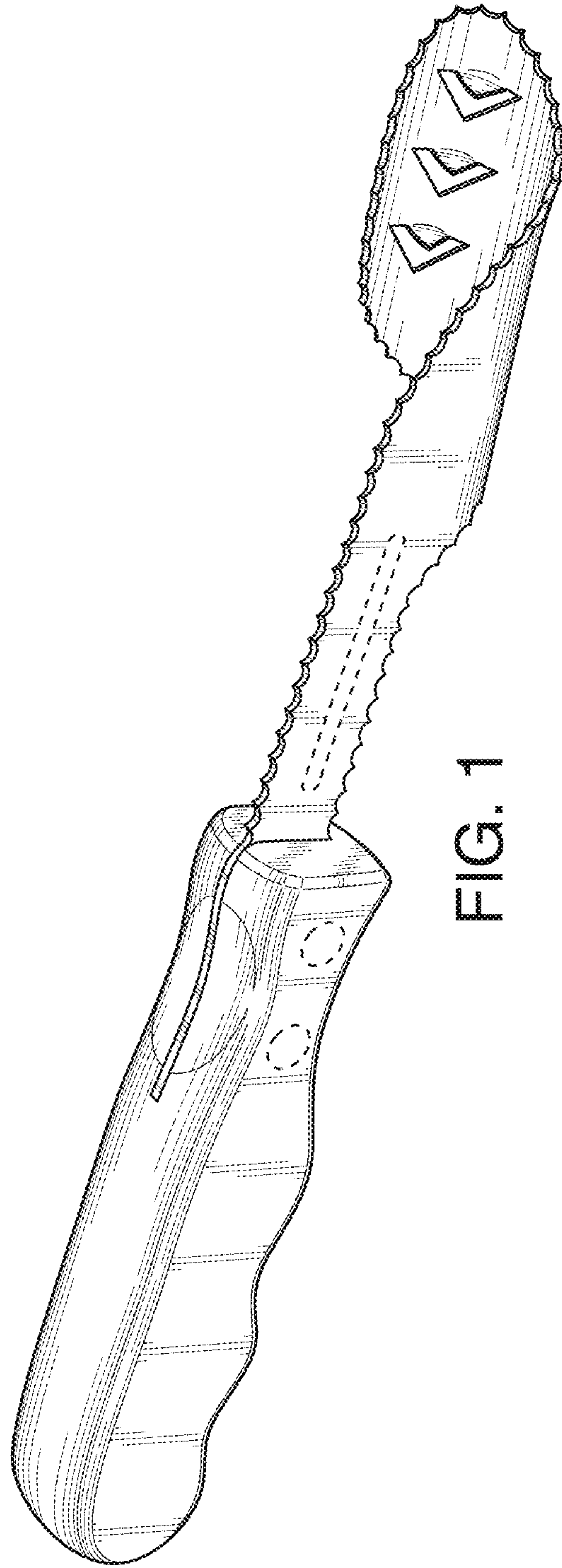


FIG. 1

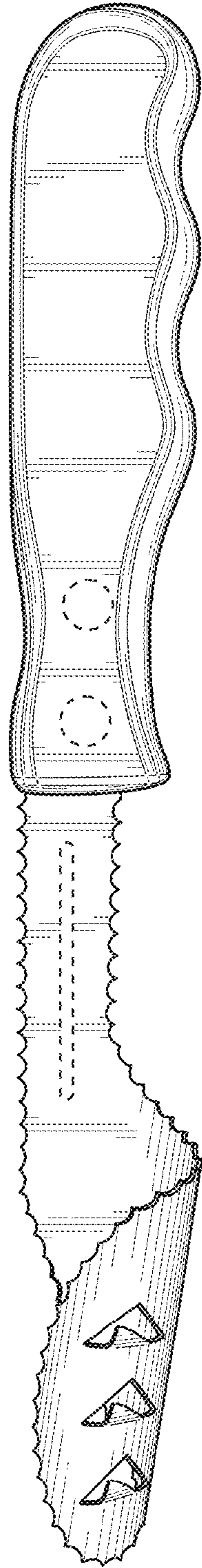


FIG. 2

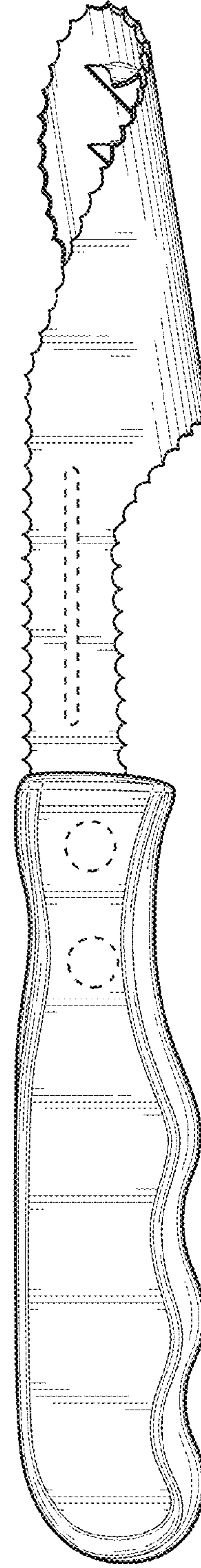


FIG. 3

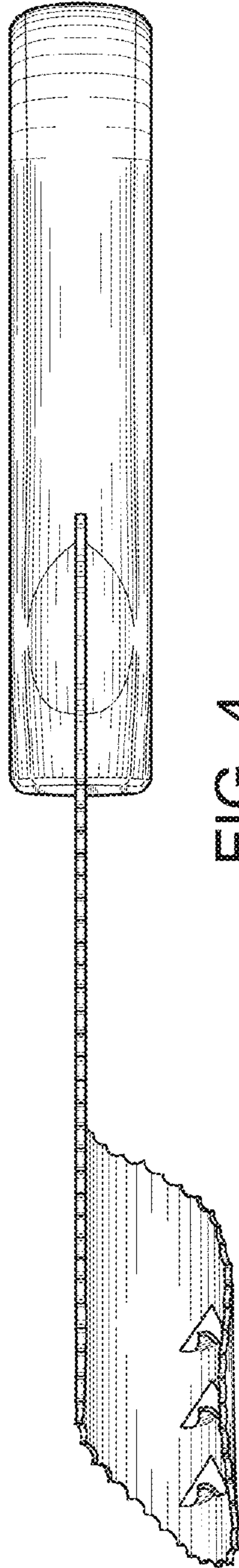


FIG. 4

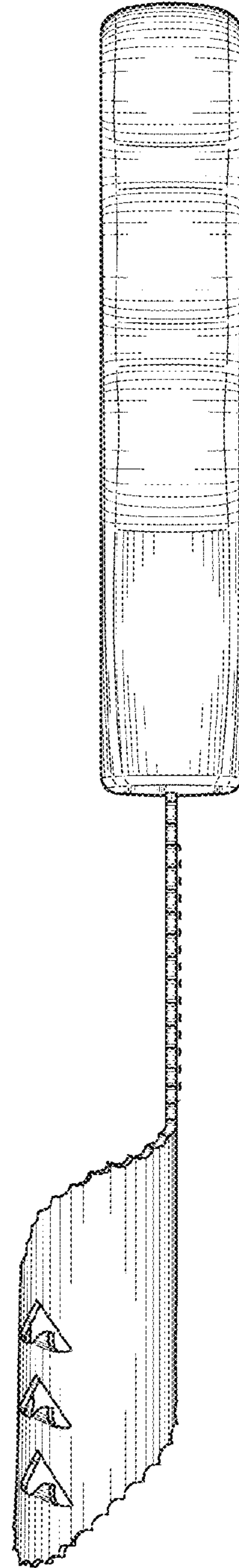


FIG. 5

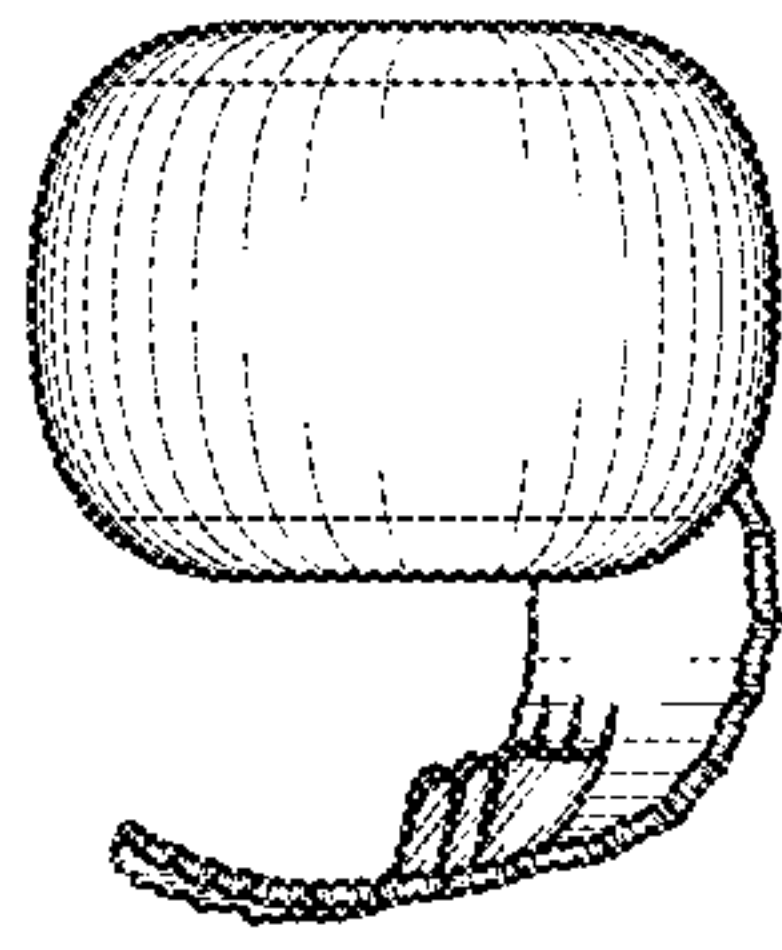


FIG. 7

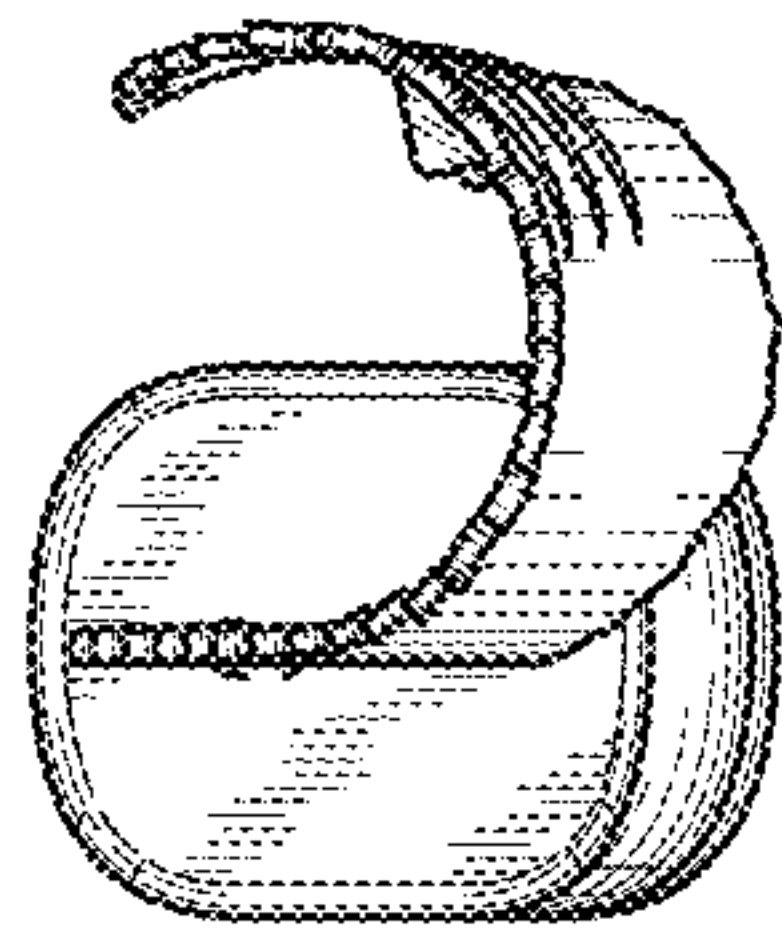


FIG. 6