



US00D691001S

(12) **United States Design Patent**
Bolgert et al.

(10) **Patent No.:** **US D691,001 S**

(45) **Date of Patent:** **** Oct. 8, 2013**

(54) **DISHER SERVING UTENSIL**

(75) Inventors: **Paul Bolgert**, Sheboygan, WI (US);
Robert S. Fuller, West Bend, WI (US)

(73) Assignee: **PW Stoelting, L.L.C.**, Sheboygan, WI (US)

(**) Term: **14 Years**

(21) Appl. No.: **29/416,139**

(22) Filed: **Mar. 19, 2012**

(51) **LOC (9) Cl.** **07-99**

(52) **U.S. Cl.**
USPC **D7/681**

(58) **Field of Classification Search**
USPC D7/681, 368, 669, 688, 285, 691;
425/187, 276, 282, 285

See application file for complete search history.

(56) **References Cited**

U.S. PATENT DOCUMENTS

1,645,208	A	4/1927	Thompson	
1,966,089	A	7/1934	Chester	
2,041,200	A *	5/1936	Myers	425/187
2,155,700	A *	4/1939	Donahue	425/187
2,427,095	A	7/1946	Gordon et al.	
D149,766	S *	5/1948	Myers	D7/681
2,454,735	A	11/1948	Deutsch et al.	
2,498,331	A *	2/1950	Bloomfield	425/187
2,780,183	A *	2/1957	Myers	425/187
2,797,654	A *	7/1957	Gordon	425/187

2,815,724	A	12/1957	Baer	
3,208,404	A	9/1965	Schlessel	
5,326,248	A *	7/1994	Thuecks et al.	425/187
D465,700	S	11/2002	Wong et al.	
D478,790	S	8/2003	Schulein	
D480,279	S	10/2003	Kim	
D486,354	S	2/2004	Bratton et al.	
D487,381	S	3/2004	Bates et al.	
D501,373	S	2/2005	Allen, Jr. et al.	
D513,946	S	1/2006	Lion et al.	
7,128,557	B2	10/2006	Hornig	
2009/0004316	A1	1/2009	Costagliola	

* cited by examiner

Primary Examiner — Ian Simmons

Assistant Examiner — Eleni H Aldridge

(74) *Attorney, Agent, or Firm* — Foley & Lardner LLP

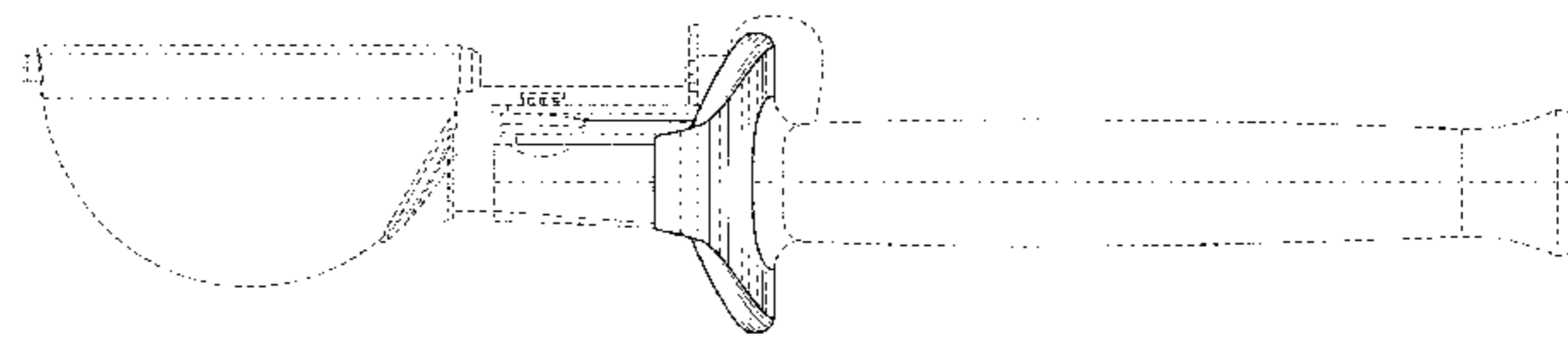
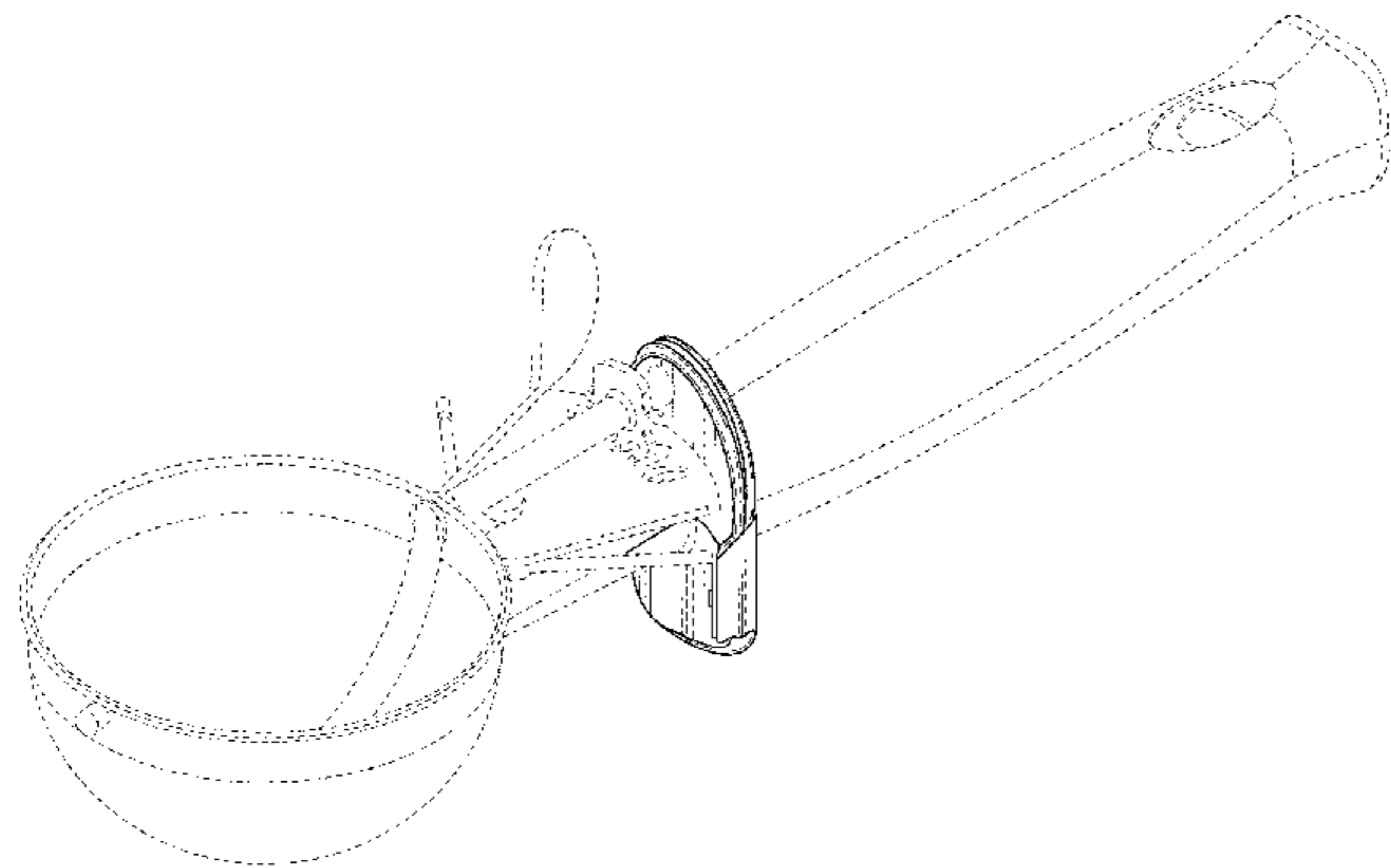
(57) **CLAIM**

The ornamental design for a disher serving utensil, as shown and described.

DESCRIPTION

FIG. 1 is an isometric view of a disher serving utensil from a top elevational view, embodying a new design; FIG. 2 is an enlarged front elevation view thereof; FIG. 3 is a side elevation view thereof; FIG. 4 is an enlarged rear elevation view thereof; FIG. 5 is a bottom plan view thereof. FIG. 6 is an opposite side elevation view thereof; and, FIG. 7 is a top plan view thereof. The broken lines shown in the drawings are for illustrative purposes only and form no part of the claimed design.

1 Claim, 7 Drawing Sheets



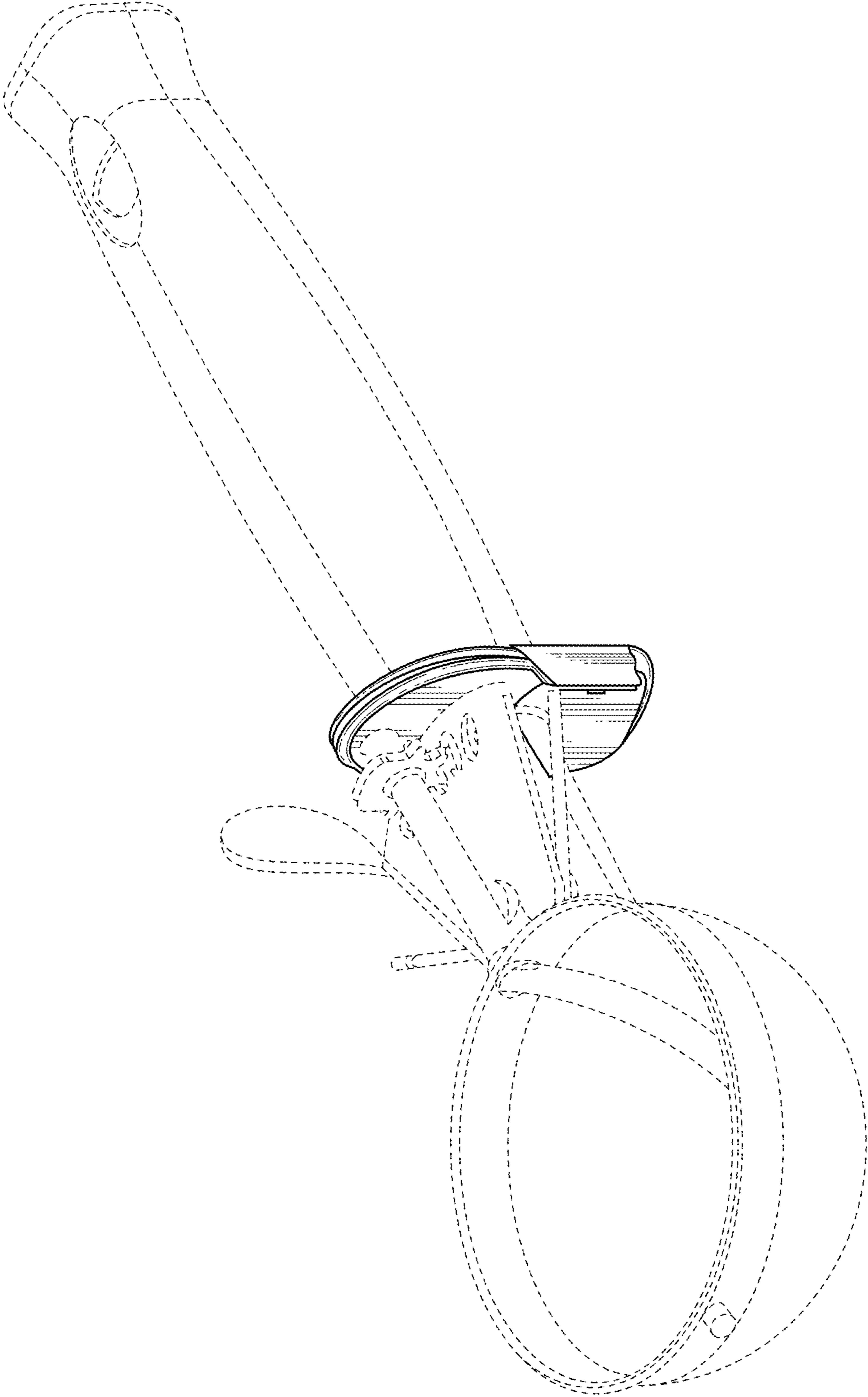


FIG. 1

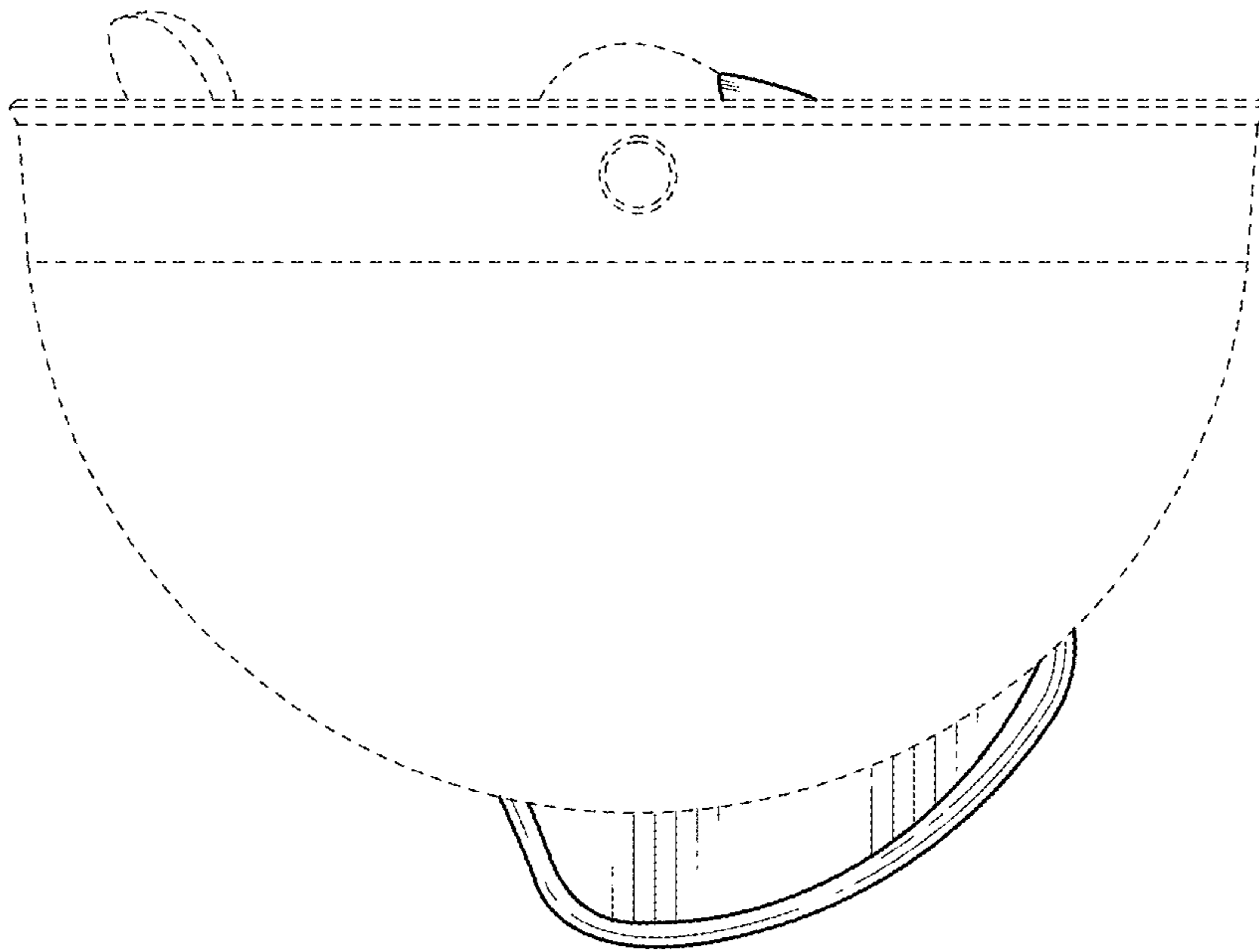


FIG. 2

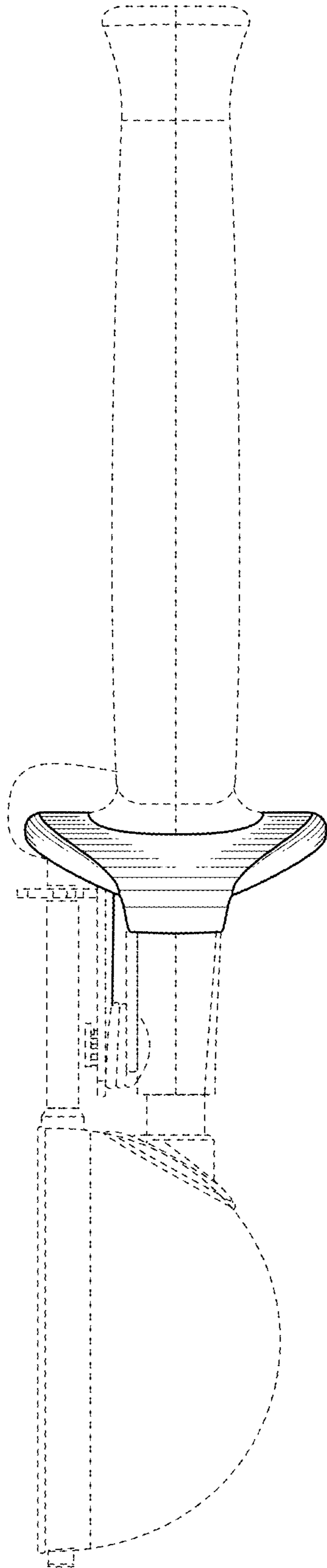


FIG. 3

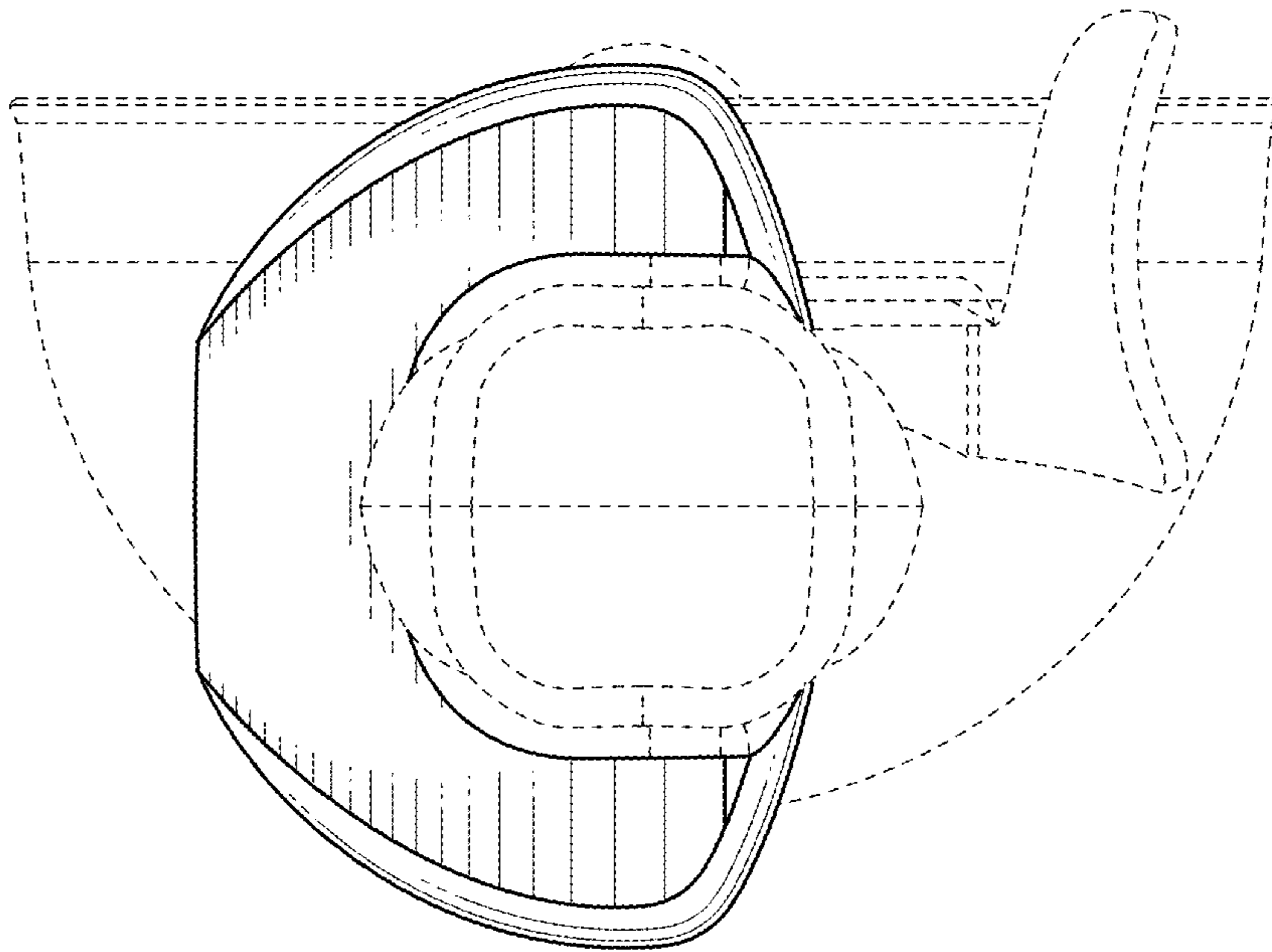


FIG. 4

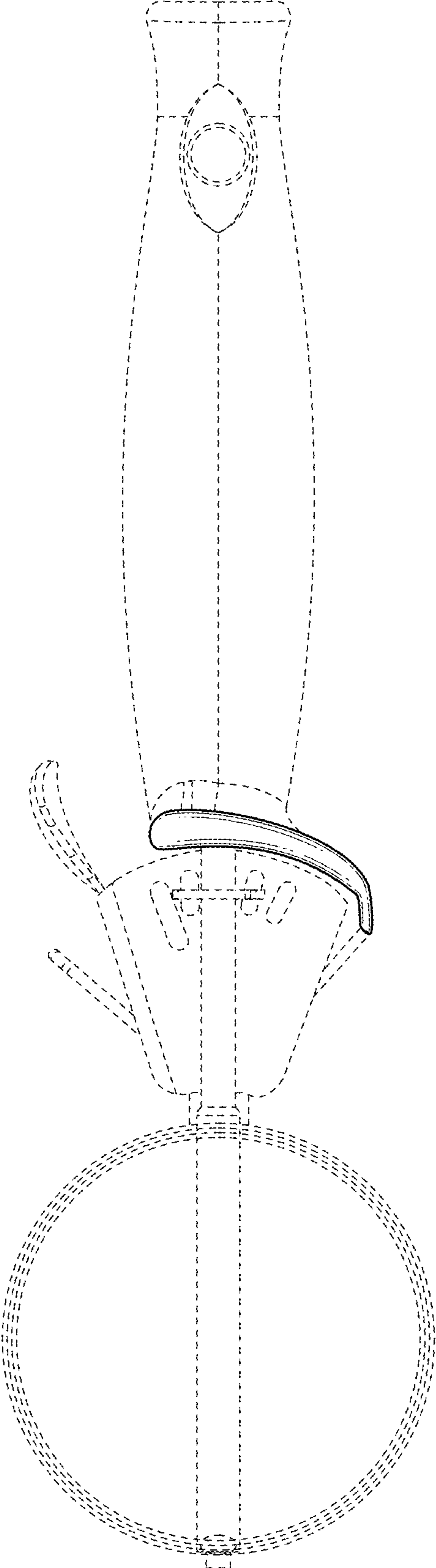


FIG. 5

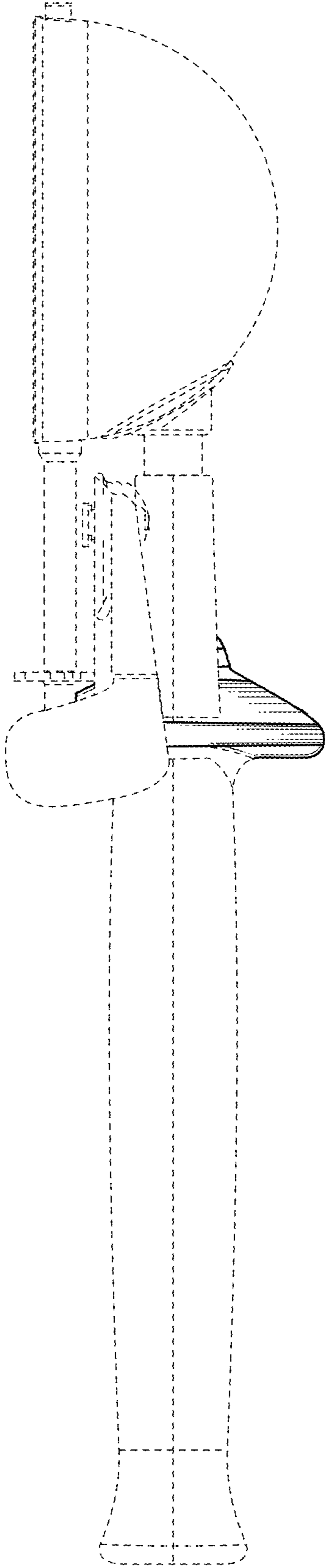


FIG. 6

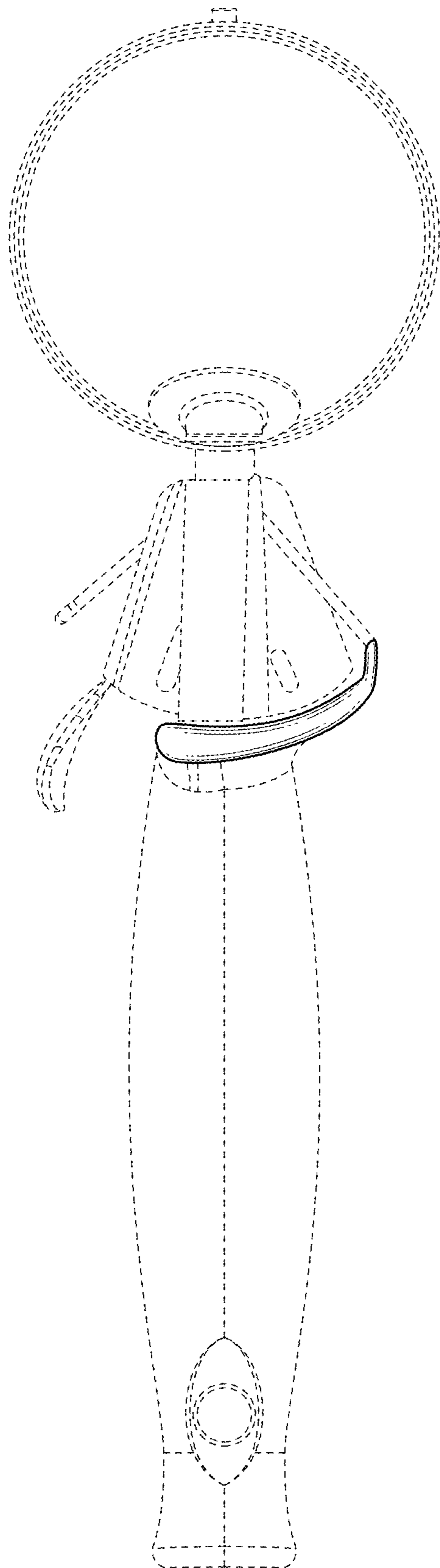


FIG. 7