



US00D690999S

(12) **United States Design Patent**
Perry, III et al.

(10) **Patent No.:** **US D690,999 S**

(45) **Date of Patent:** **** Oct. 8, 2013**

(54) **COOLER**

(75) Inventors: **James W. Perry, III**, Sarasota, FL (US);
Hugh Shearar, Hong Kong (CN)

(73) Assignee: **James W. Perry, III**, Sarasota, FL (US)

(**) Term: **14 Years**

(21) Appl. No.: **29/428,589**

(22) Filed: **Aug. 1, 2012**

(51) **LOC (9) Cl.** **07-01**

(52) **U.S. Cl.**
USPC **D7/605**

(58) **Field of Classification Search**
USPC D7/605-608, 629; 220/915.1, 915.2,
220/592.03, 592.18, 592.2, 592.01, 592.16,
220/592.17; D3/200-203.8, 273, 274
See application file for complete search history.

(56) **References Cited**

U.S. PATENT DOCUMENTS

4,146,159 A * 3/1979 Hemmen 224/275
D295,483 S * 5/1988 Tarozzi et al. D7/605
D295,484 S * 5/1988 Tarozzi et al. D7/605

5,350,081 A * 9/1994 Graham 220/737
D417,126 S * 11/1999 Arnfelt D7/605
D467,468 S * 12/2002 Krieger et al. D7/605
D480,275 S * 10/2003 Yuen D7/605
D523,291 S * 6/2006 Krieger et al. D7/605

* cited by examiner

Primary Examiner — Terry Wallace

(74) *Attorney, Agent, or Firm* — Shumaker, Loop &
Kendrick, LLP

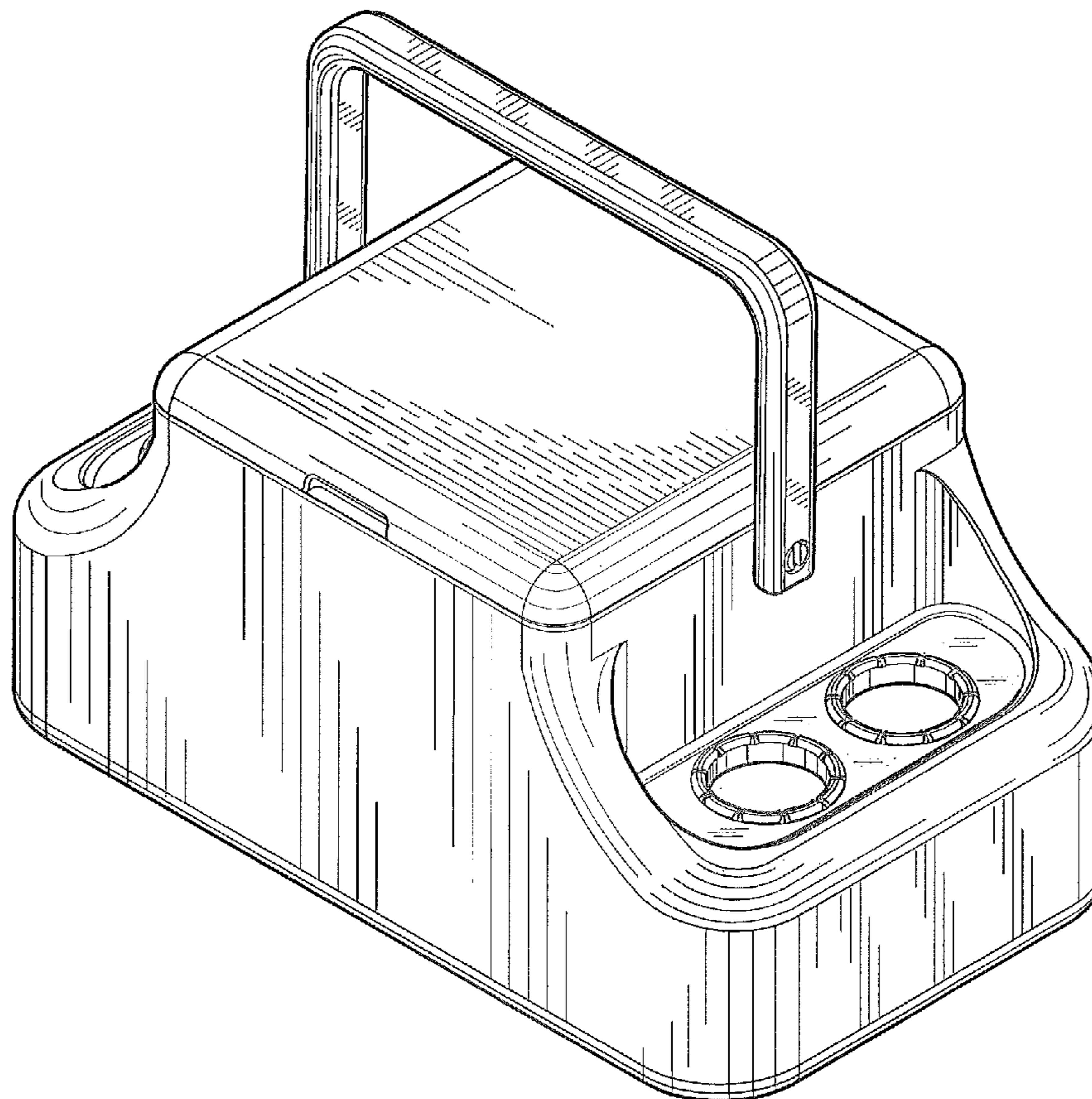
(57) **CLAIM**

The ornamental design for a cooler, as shown and described.

DESCRIPTION

FIG. 1 is a front and top perspective view of a cooler showing the new design;
FIG. 2 is a back and top perspective view thereof;
FIG. 3 is a front elevation view thereof;
FIG. 4 is a rear elevation view thereof;
FIG. 5 is a top plan view thereof;
FIG. 6 is a bottom plan view thereof; and,
FIG. 7 is a right side view thereof, the left side being a mirror image of the right side.

1 Claim, 4 Drawing Sheets



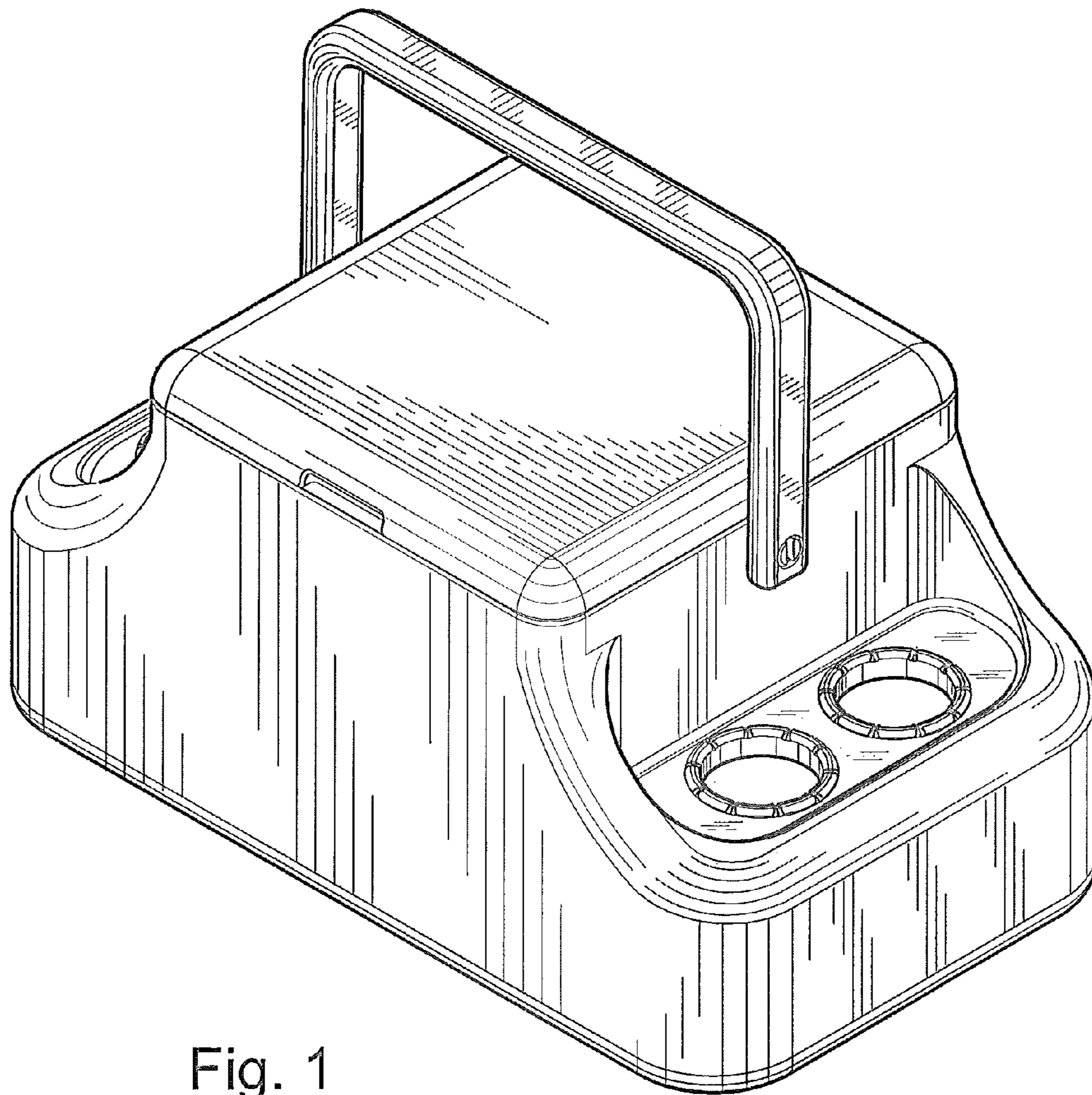


Fig. 1

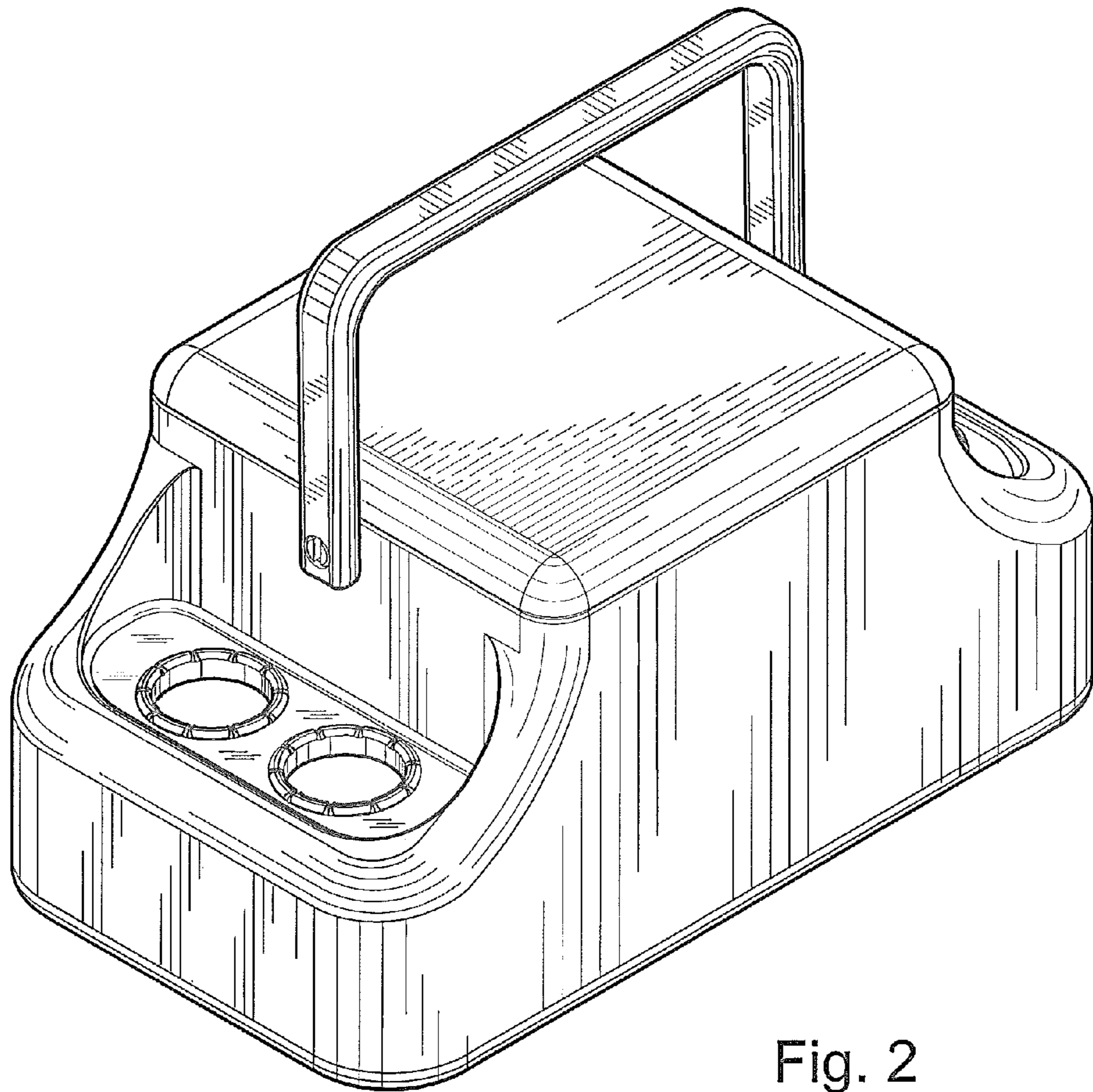


Fig. 2

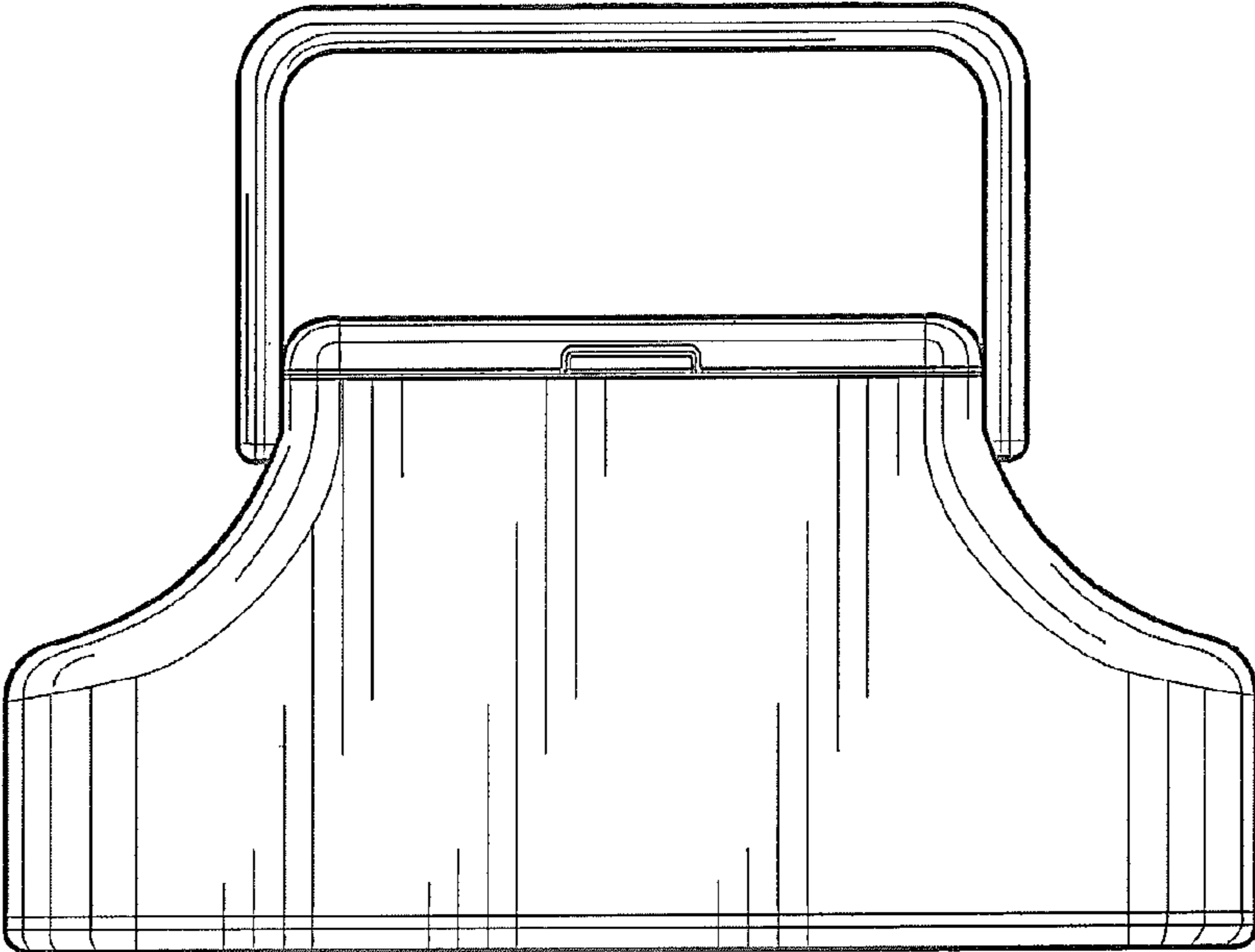


Fig. 3

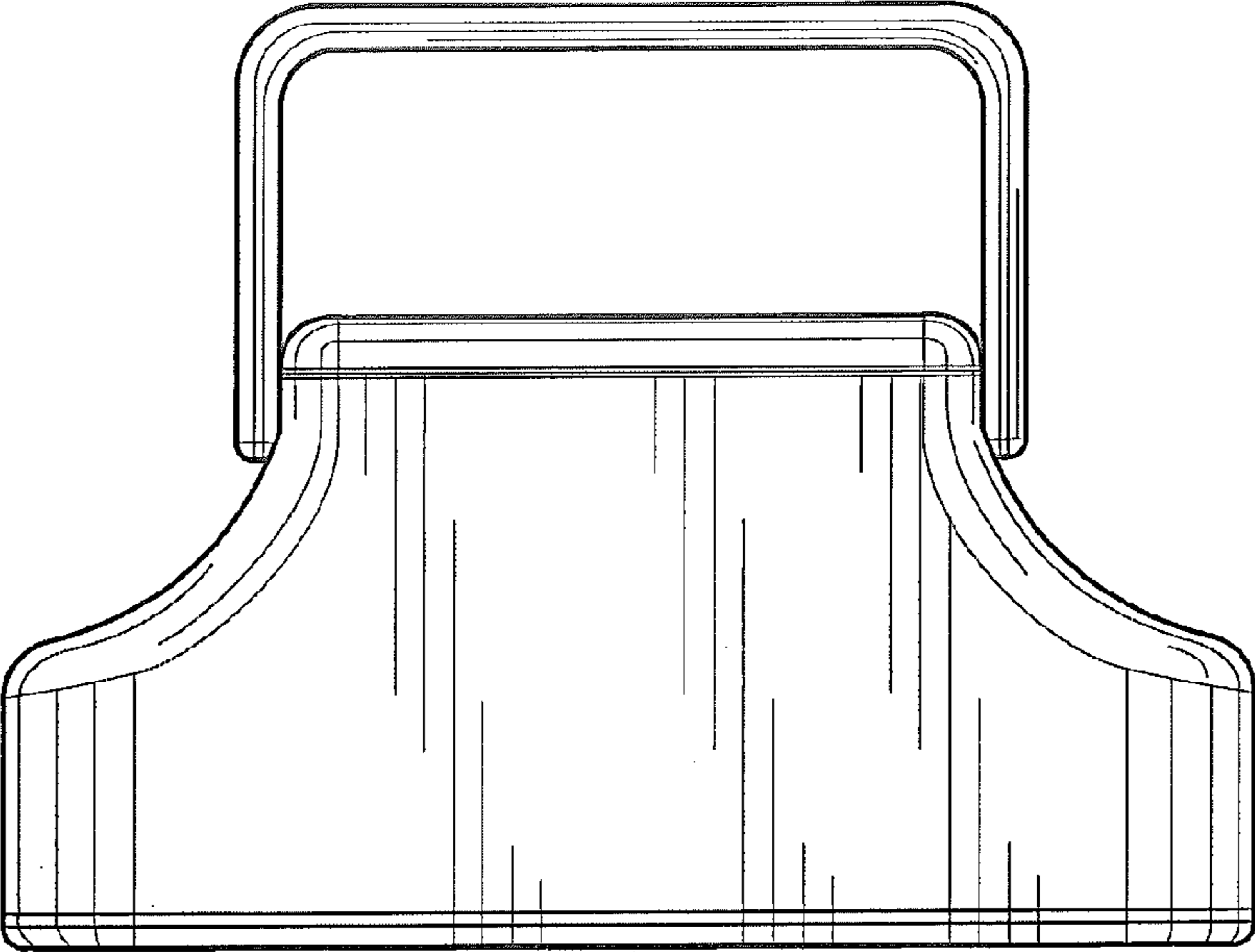


Fig. 4

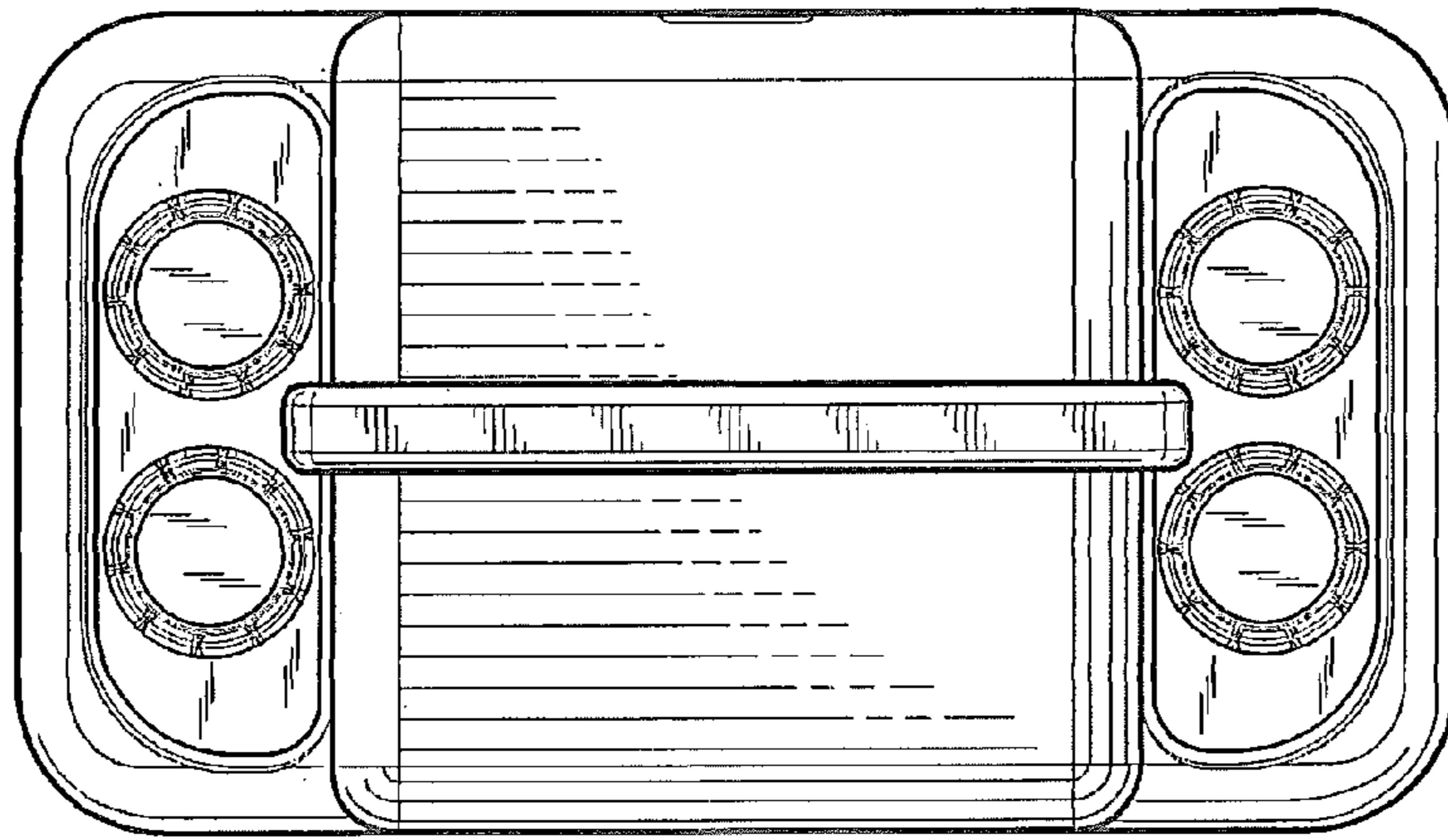


Fig. 5

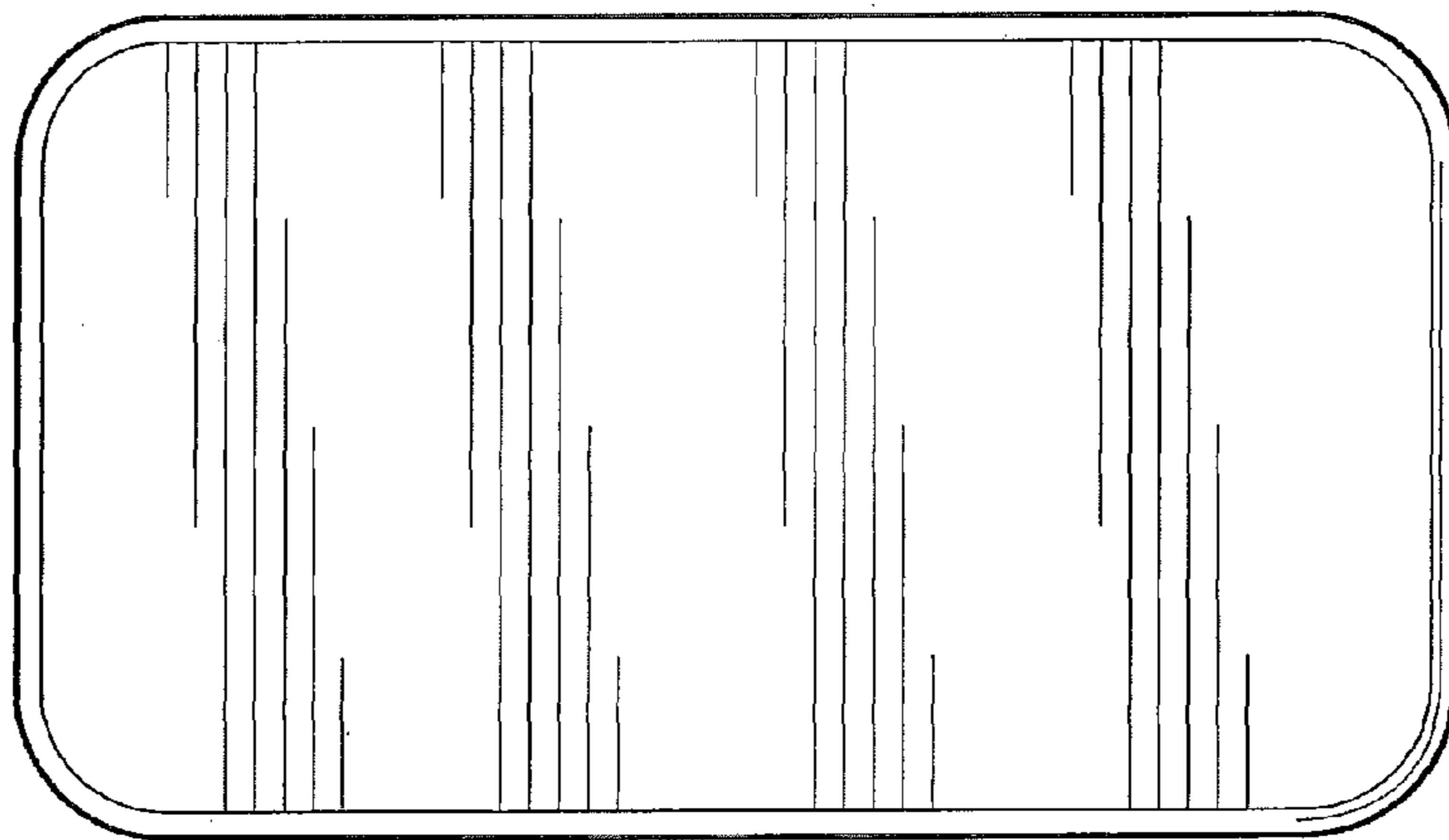


Fig. 6

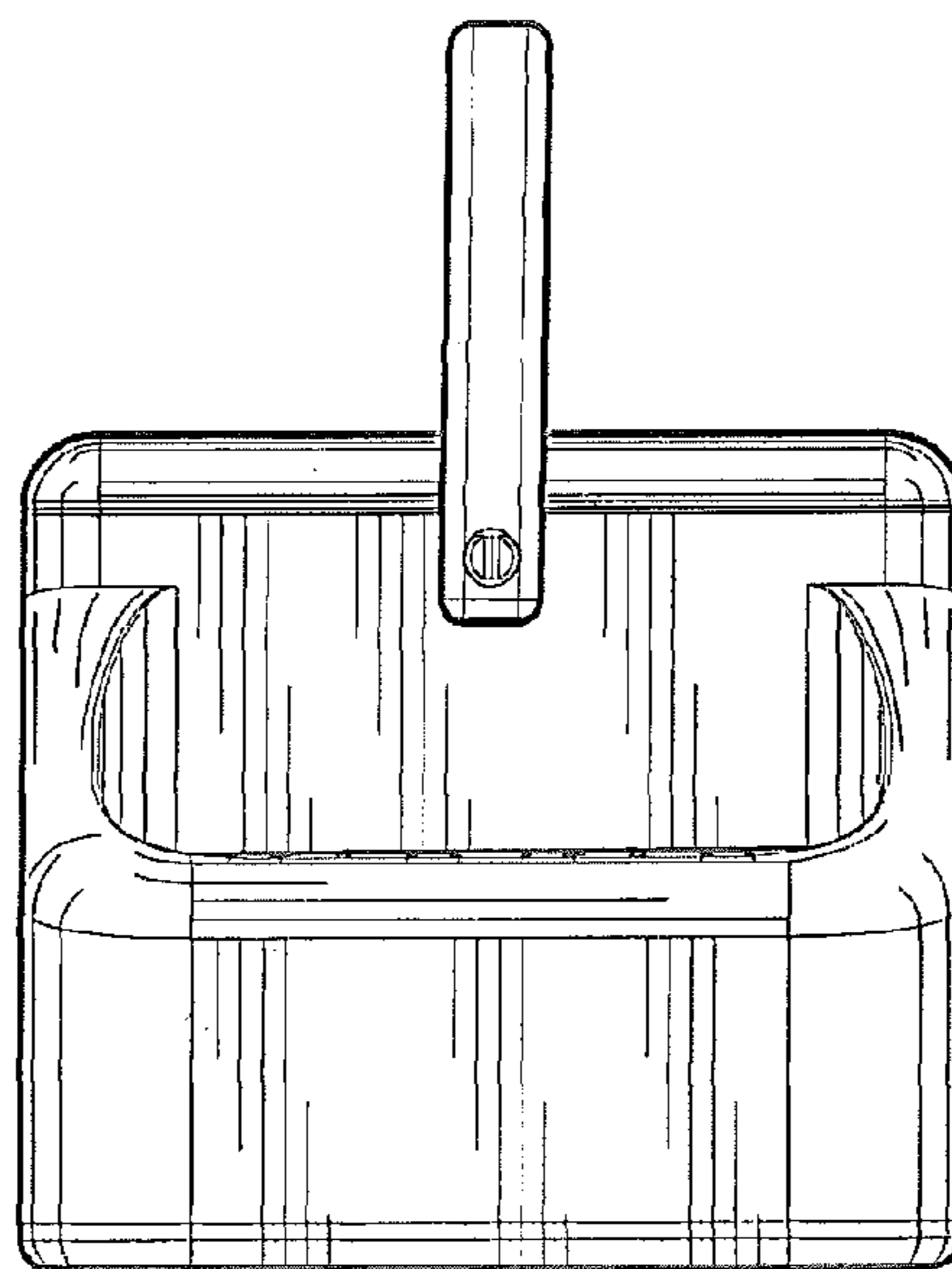


Fig. 7