



US00D690994S

(12) **United States Design Patent**
Baek et al.

(10) **Patent No.:** **US D690,994 S**
(45) **Date of Patent:** **** Oct. 8, 2013**

(54) **OVEN**

(71) Applicant: **Samsung Electronics Co., Ltd.**,
Gyeonggi-do (KR)

(72) Inventors: **Byungkook Baek**, Anyang-si (KR); **Tai Kyung Kim**, Seoul (KR); **Deoksang Yun**, Ansan-si (KR); **Ji-Young Shin**, Seoul (KR)

(73) Assignee: **Samsung Electronics Co., Ltd.**,
Suwon-Si (KR)

(**) Term: **14 Years**

(21) Appl. No.: **29/441,616**

(22) Filed: **Jan. 8, 2013**

(30) **Foreign Application Priority Data**

Aug. 28, 2012 (KR) 30-2012-0041301

(51) **LOC (9) Cl.** **07-02**

(52) **U.S. Cl.**
USPC **D7/405**

(58) **Field of Classification Search**

USPC D7/339-441; 126/19 R, 21 A, 21 R,
126/39 B, 39 C, 239 R, 273 A, 273 R;
219/391-394, 756-758; 99/348, 353, 367,
99/468; D32/1-3, 5, 6, 8

See application file for complete search history.

(56) **References Cited**

U.S. PATENT DOCUMENTS

D366,983 S * 2/1996 Leukhardt et al. D7/349
D377,853 S * 2/1997 Sparks D32/3

D379,734 S * 6/1997 Baldwin D7/405
D524,095 S * 7/2006 Pino et al. D7/349
D525,476 S * 7/2006 Bengtson et al. D7/349
D527,948 S * 9/2006 Bengtson D7/405
D571,149 S * 6/2008 Crookshanks D7/405
D592,009 S * 5/2009 Crookshanks D7/405
D612,207 S * 3/2010 Baker et al. D7/402
D618,488 S * 6/2010 Knochner D7/350.1
D622,914 S * 8/2010 Crookshanks et al. D32/3
D626,782 S * 11/2010 Busalt et al. D7/349
D633,336 S * 3/2011 Sadtler D7/405
D651,460 S * 1/2012 Sadtler D7/405
D654,299 S * 2/2012 Benold D7/350.1
D665,625 S * 8/2012 Sadtler D7/405
D668,106 S * 10/2012 Borjesson D7/405
D668,107 S * 10/2012 Borjesson D7/405
D668,108 S * 10/2012 Borjesson D7/405

* cited by examiner

Primary Examiner — T. Chase Nelson

Assistant Examiner — Mark Cavanna

(74) *Attorney, Agent, or Firm* — Ladas & Parry LLP

(57) **CLAIM**

The ornamental design for an oven, as shown and described.

DESCRIPTION

FIG. 1 is a front/right-side/top perspective view of an oven showing our new design;

FIG. 2 is a front-side elevational view thereof;

FIG. 3 is a rear-side elevational view thereof;

FIG. 4 is a left-side elevational view thereof;

FIG. 5 is a right-side elevational view thereof;

FIG. 6 is a top-side elevational view thereof; and,

FIG. 7 is a bottom-side elevational view thereof.

The broken lines are included for the purpose of illustrating portions of the oven that form no part of the claimed design.

1 Claim, 7 Drawing Sheets

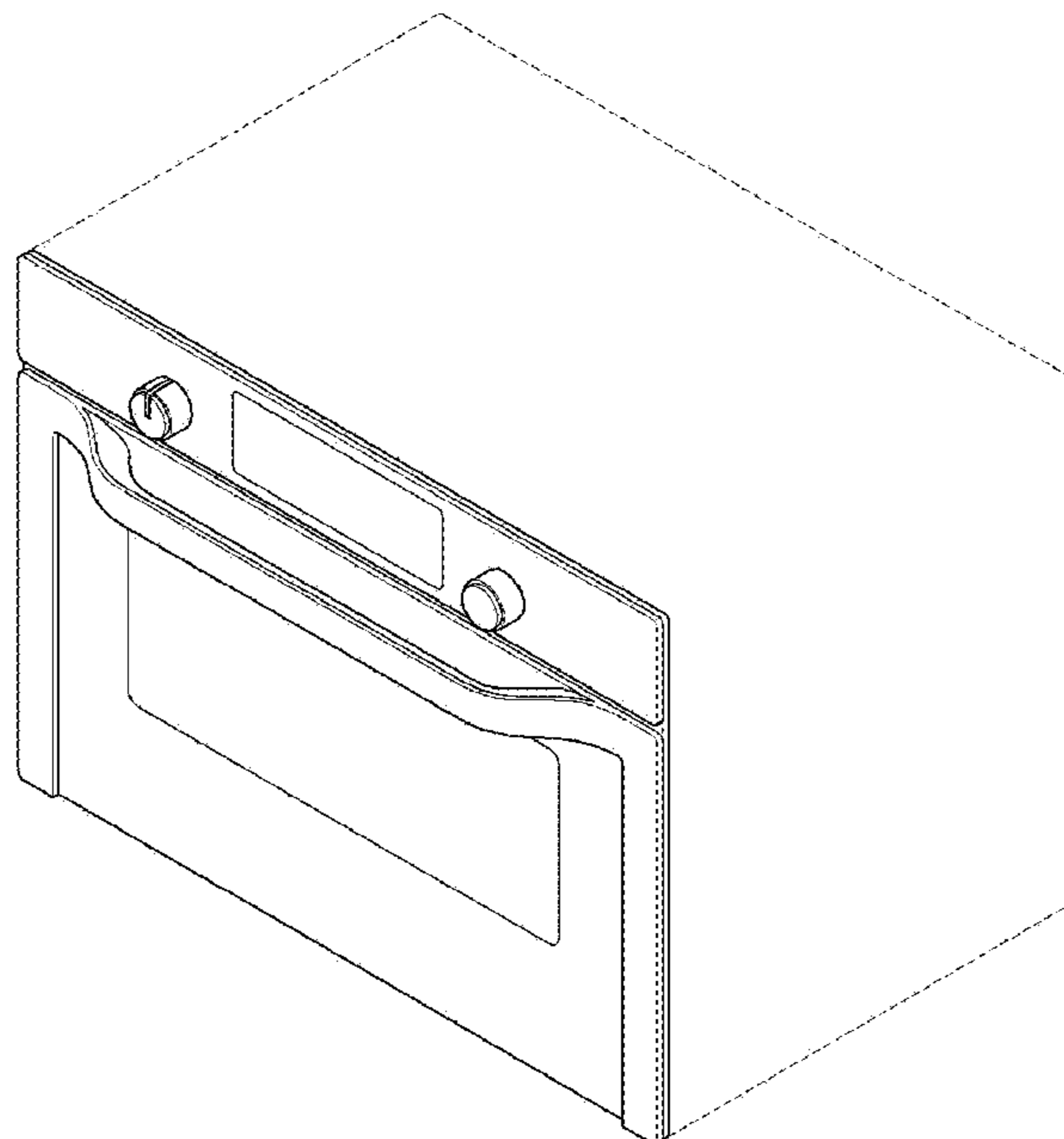


FIG. 1

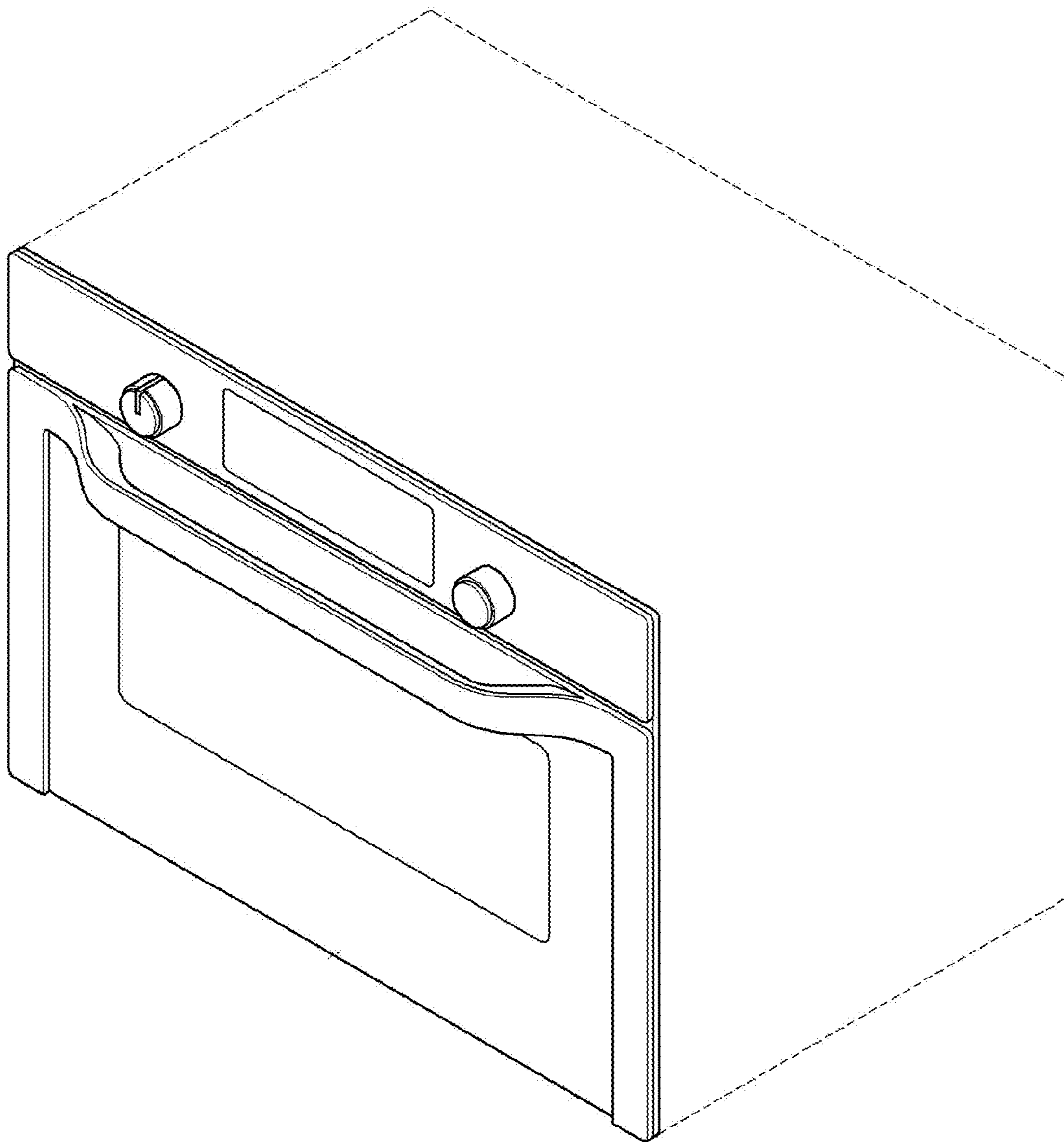


FIG. 2

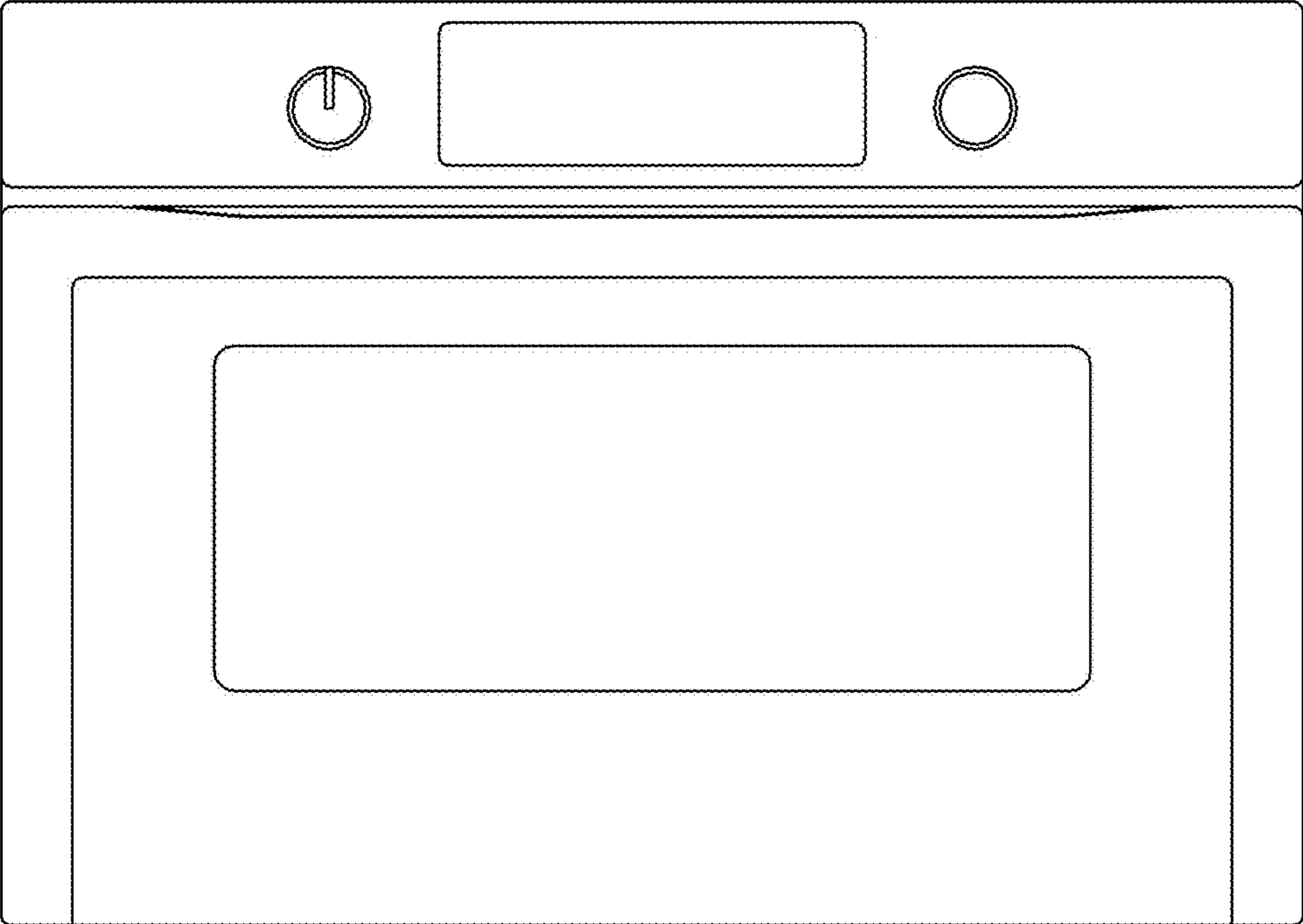


FIG. 3



FIG. 4

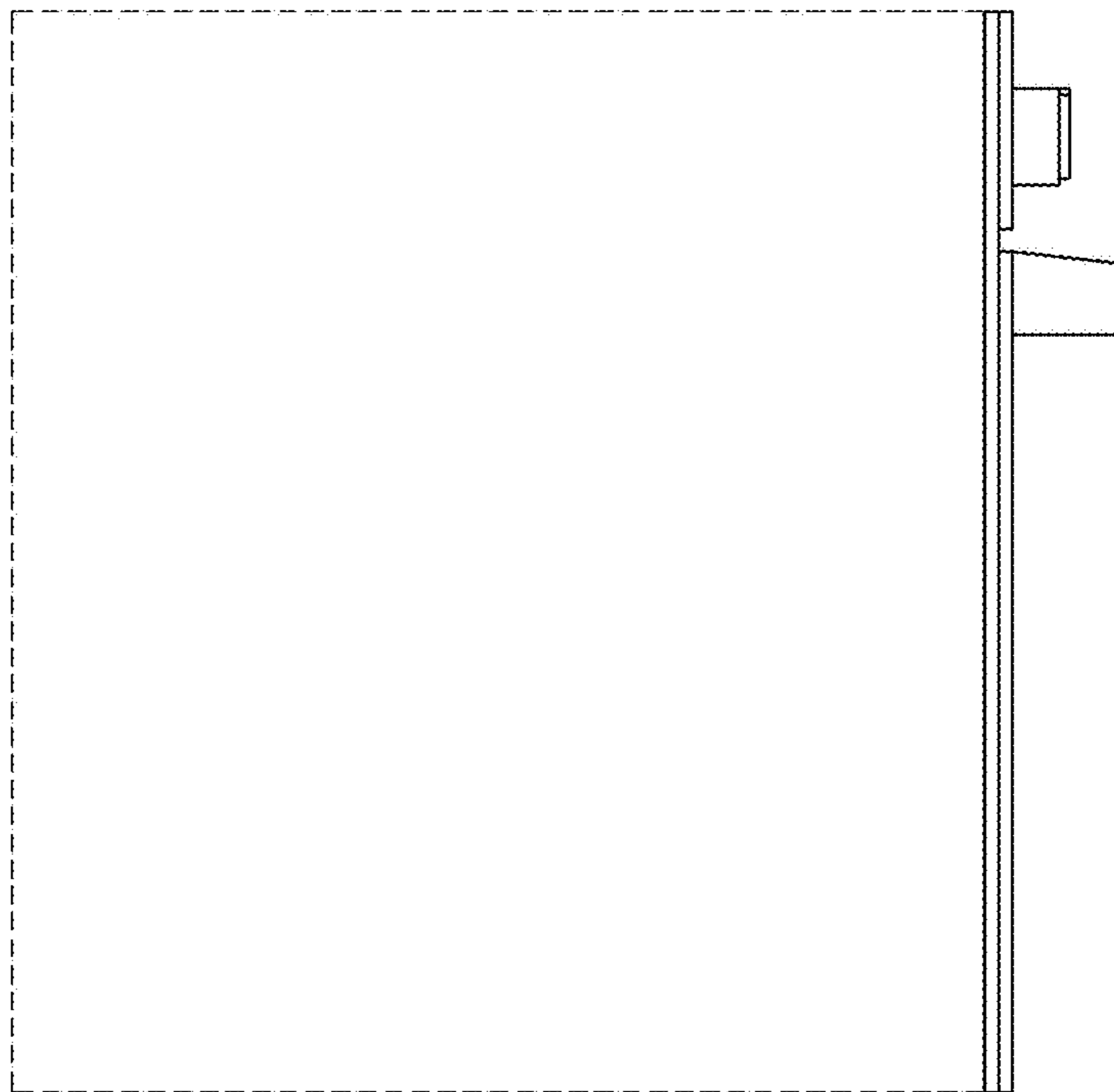


FIG. 5

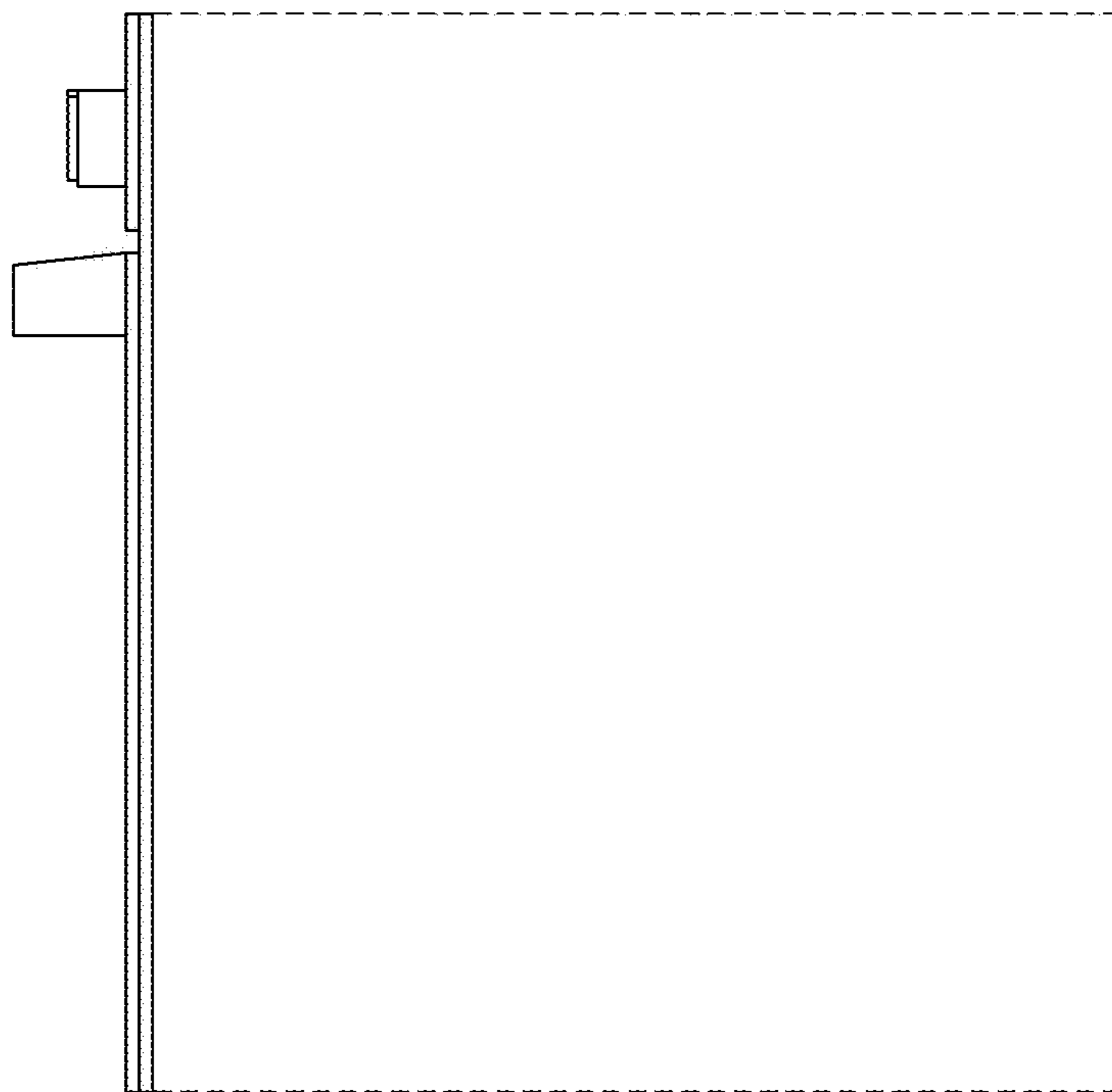


FIG. 6

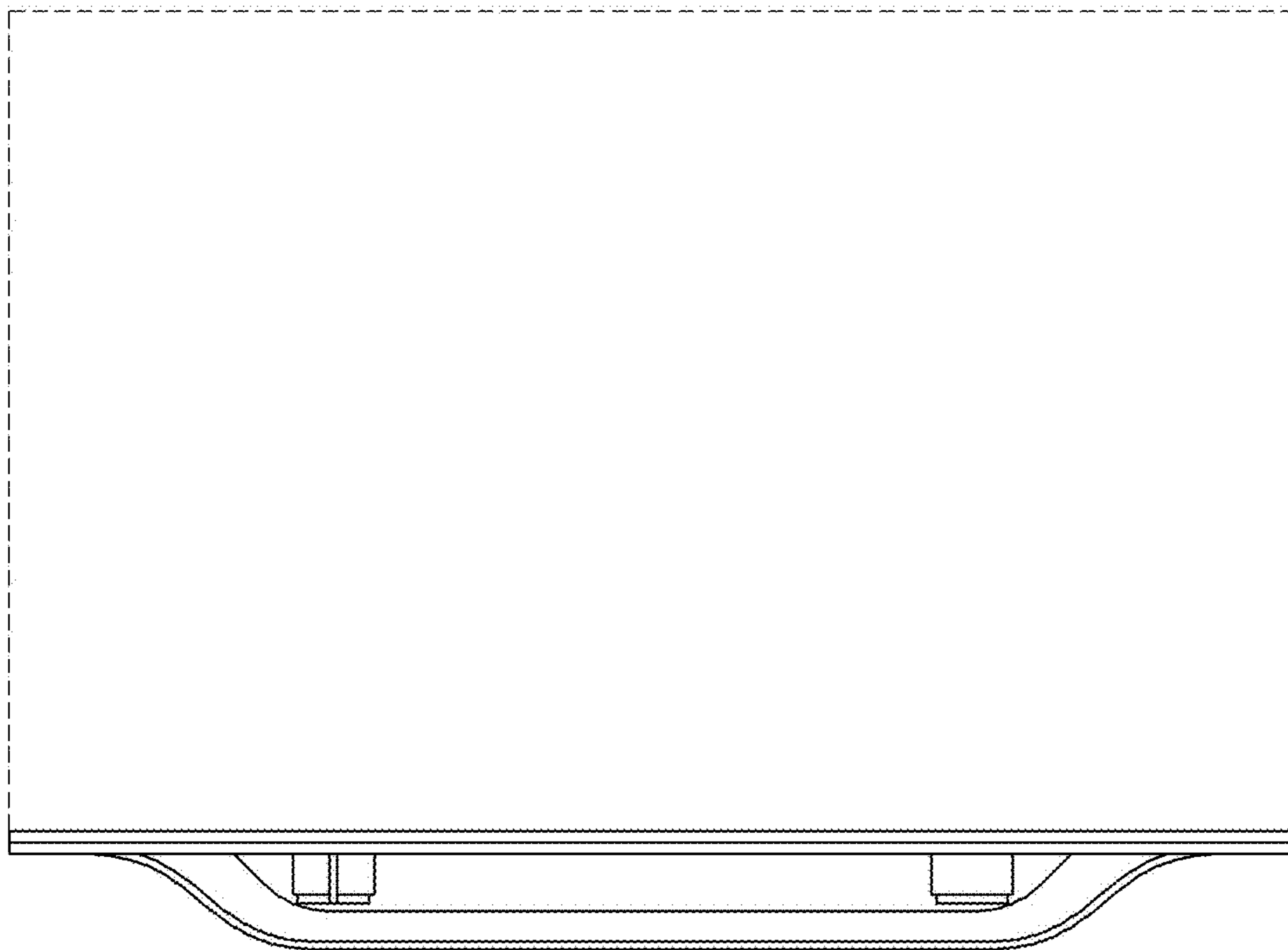


FIG. 7

