



US00D690992S

(12) **United States Design Patent**
Ball

(10) **Patent No.:** **US D690,992 S**

(45) **Date of Patent:** **** Oct. 8, 2013**

(54) **BEVERAGE FILTER STAND**

D440,458 S * 4/2001 Ohu D7/306
D453,278 S * 2/2002 Chen D7/309
D512,595 S * 12/2005 Claassen D7/306

(75) Inventor: **Alan D. Ball**, Somerville, MA (US)

(73) Assignee: **Eternal East (HK) Ltd.**, Hong Kong (HK)

(**) Term: **14 Years**

(21) Appl. No.: **29/429,836**

(22) Filed: **Aug. 17, 2012**

(51) **LOC (9) Cl.** **07-01**

(52) **U.S. Cl.**
USPC **D7/399; D7/400; D7/403**

(58) **Field of Classification Search**
USPC D7/313, 300, 309-311, 306, 400,
D7/399, 403; 222/181.1, 23; 211/74; 248/154,
248/145; 141/83; 99/299

See application file for complete search history.

(56) **References Cited**

U.S. PATENT DOCUMENTS

D47,681	S	*	8/1915	Allen, Jr.	D7/310
1,157,778	A	*	10/1915	Hemming et al.	248/145
D48,942	S	*	4/1916	Kohn	D7/309
D51,199	S	*	8/1917	Curtiss	D7/309
1,494,691	A	*	5/1924	Loggie et al.	99/292
D128,648	S	*	8/1941	Titus	D7/313
D181,266	S	*	10/1957	Alvarez	D7/354
D201,949	S	*	8/1965	Bloomfield	D7/309
4,662,271	A	*	5/1987	Woltermann	99/299
D324,149	S	*	2/1992	Beeren	D7/309
5,569,377	A	*	10/1996	Hashimoto	210/238
D429,109	S	*	8/2000	Ohu	D7/307

OTHER PUBLICATIONS

Chemex Glass Handle Series Scan of website [http://www.chemexcoffeemaker.com/products/glass_handle.html] showing prior art coffeemakers sold by Chemex.

The Clive Stand Scan of website [http://www.clivecoffee.com/product/clive_stand.html] showing prior art stand sold by Clive Coffee.

OE oneDRIP Dripper Pour Over Coffee Station Scan of website [http://www.orphanespresso.com/OE-oneDRIP-Dripper-Pour-Over-Coffee-Station_p_3318.html] showing prior art coffee station sold by Orphan Espresso.

* cited by examiner

Primary Examiner — Marianne Pandozzi

(74) *Attorney, Agent, or Firm* — Margaret Polson; Oppedahl Patent Law Firm LLC

(57) **CLAIM**

The ornamental design for a beverage filter stand, as shown and described.

DESCRIPTION

FIG. 1 is a right side perspective view of a beverage filter stand showing my new design;

FIG. 2 is a top plan view of FIG. 1;

FIG. 3 is a bottom plan view of FIG. 1;

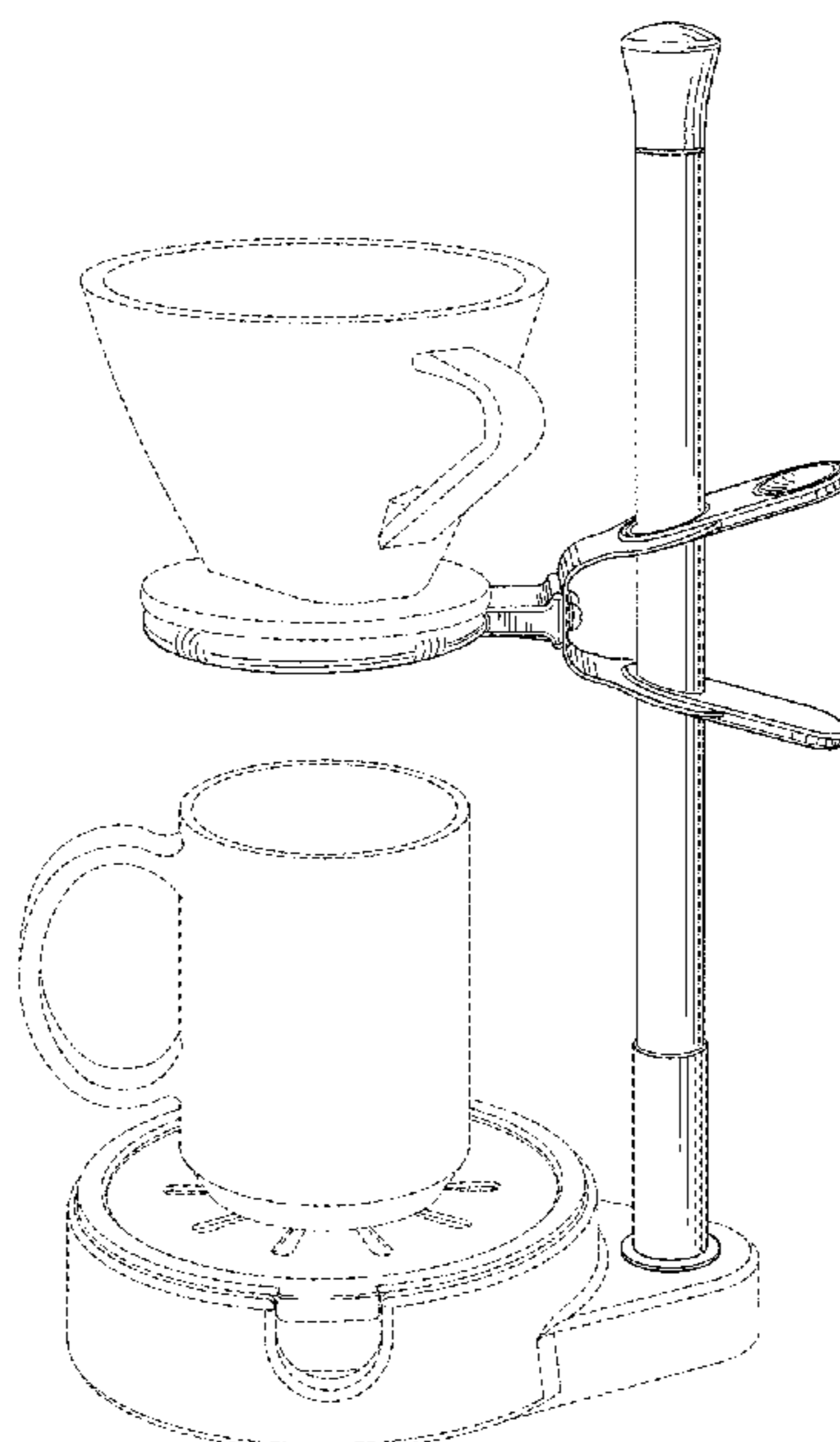
FIG. 4 is a front elevation view of FIG. 1;

FIG. 5 is a rear elevation view of FIG. 1; and,

FIG. 6 is a side elevation view of the right side of FIG. 1, the left side being a mirror image thereof.

The features shown in broken lines in the drawing depict environmental subject matter only and form on part of the claimed design.

1 Claim, 4 Drawing Sheets



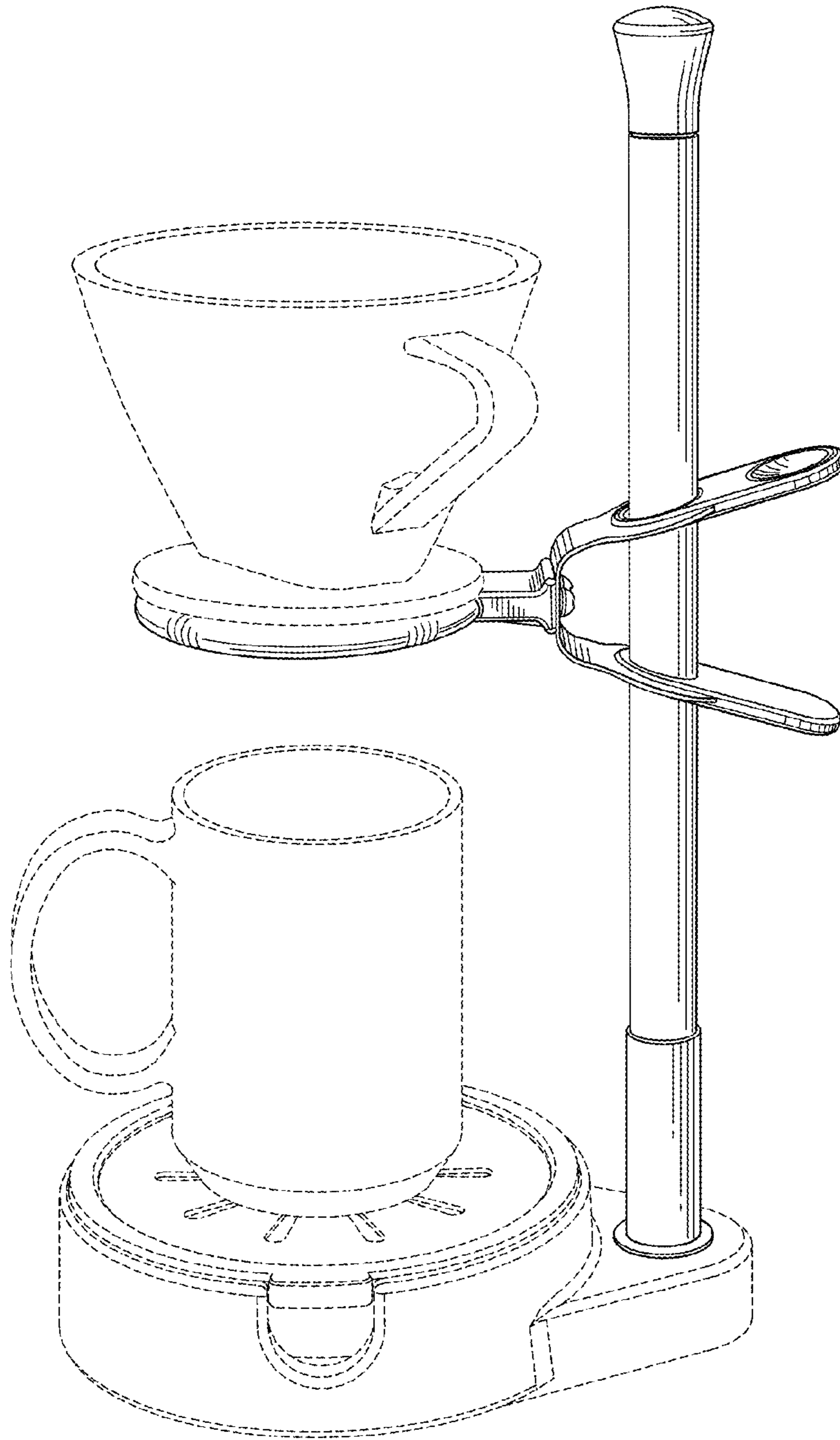


FIG. 1

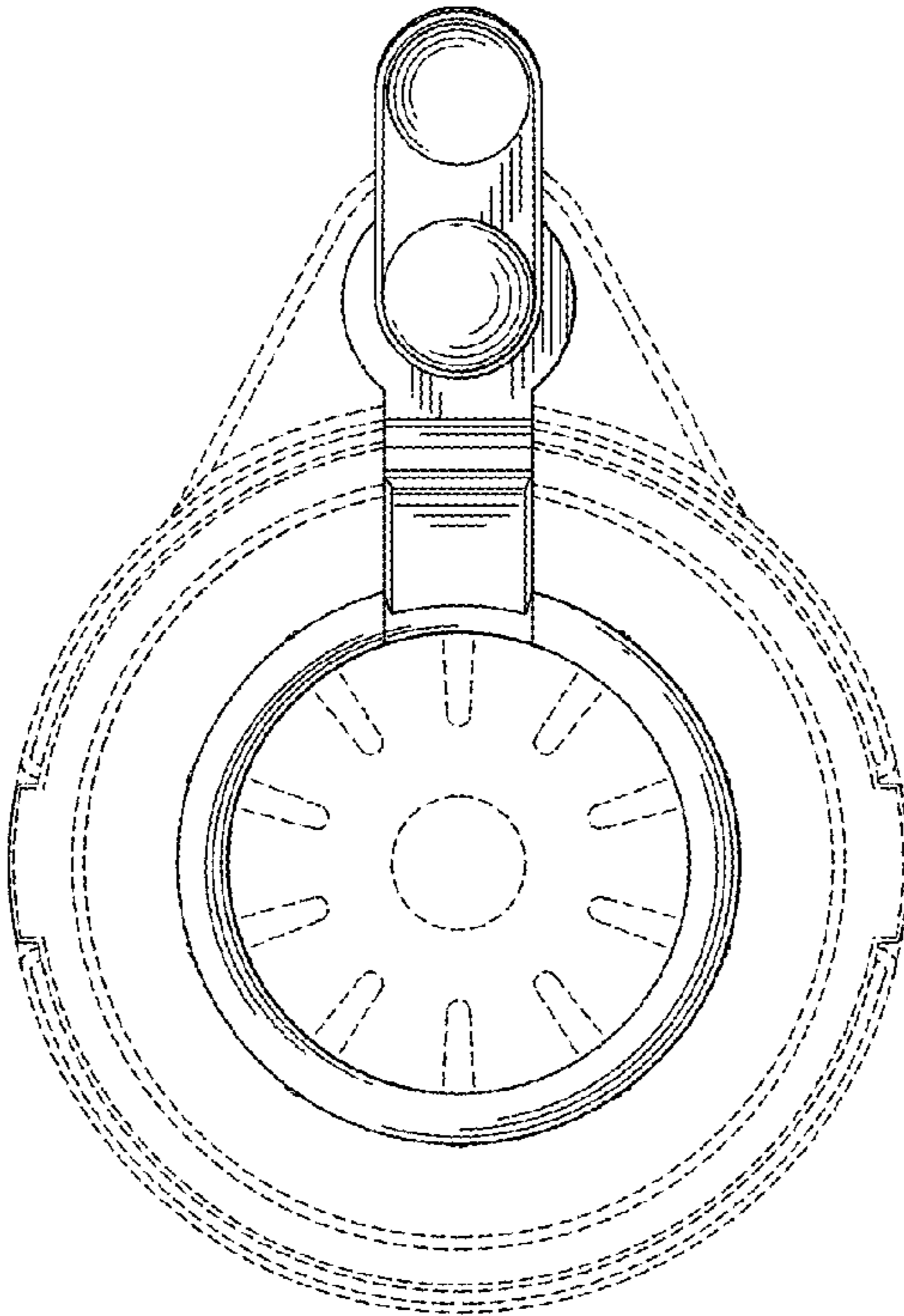


FIG. 2

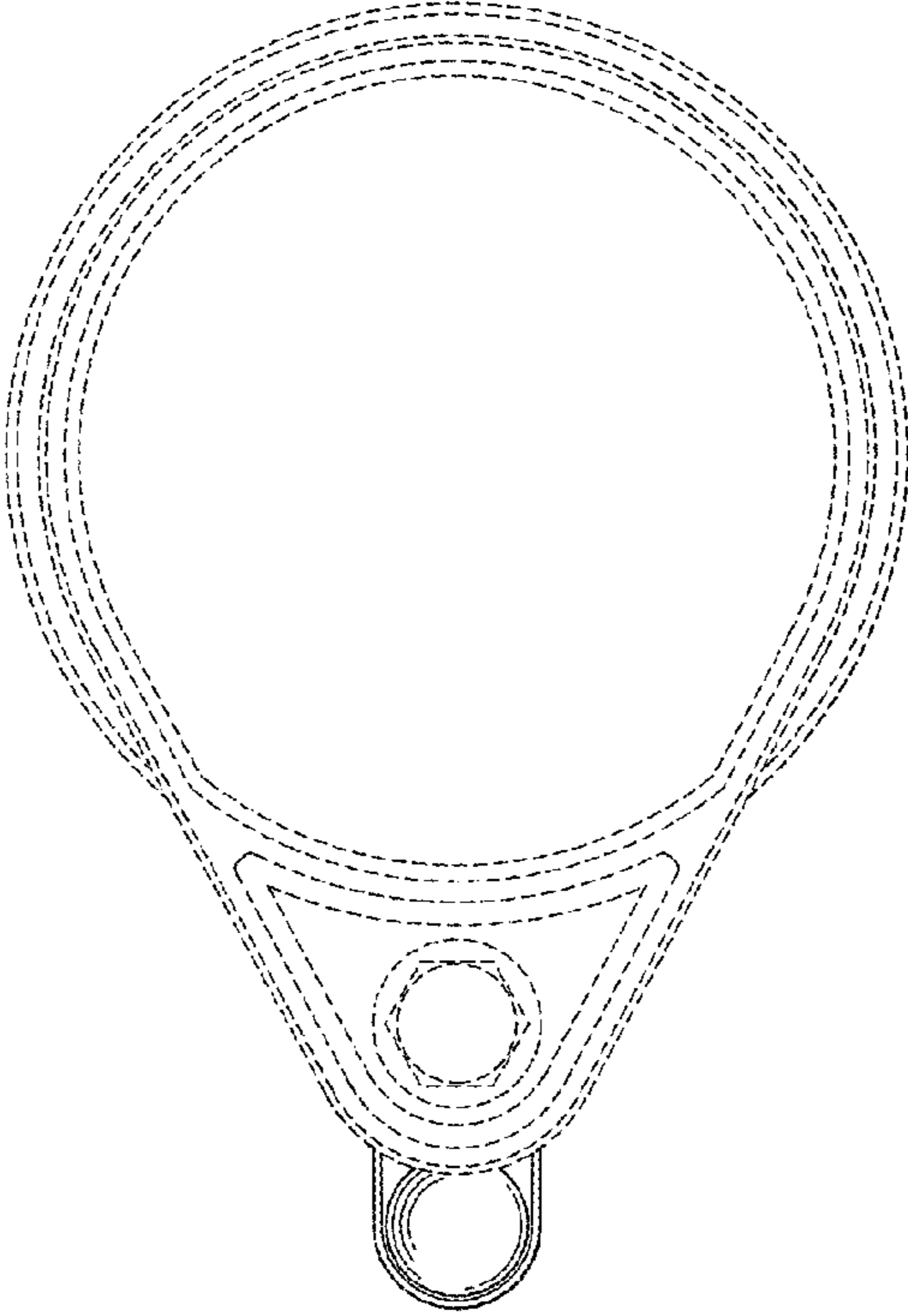


FIG. 3

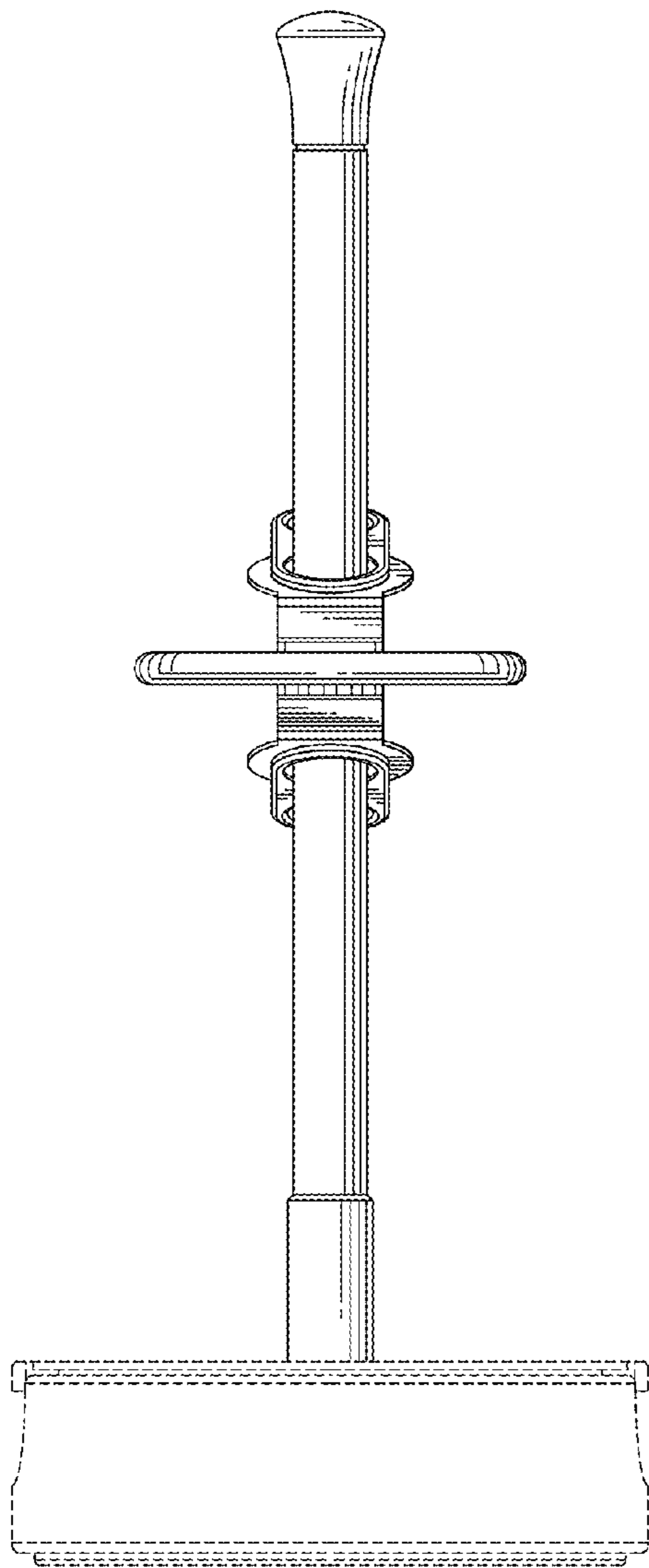


FIG.4

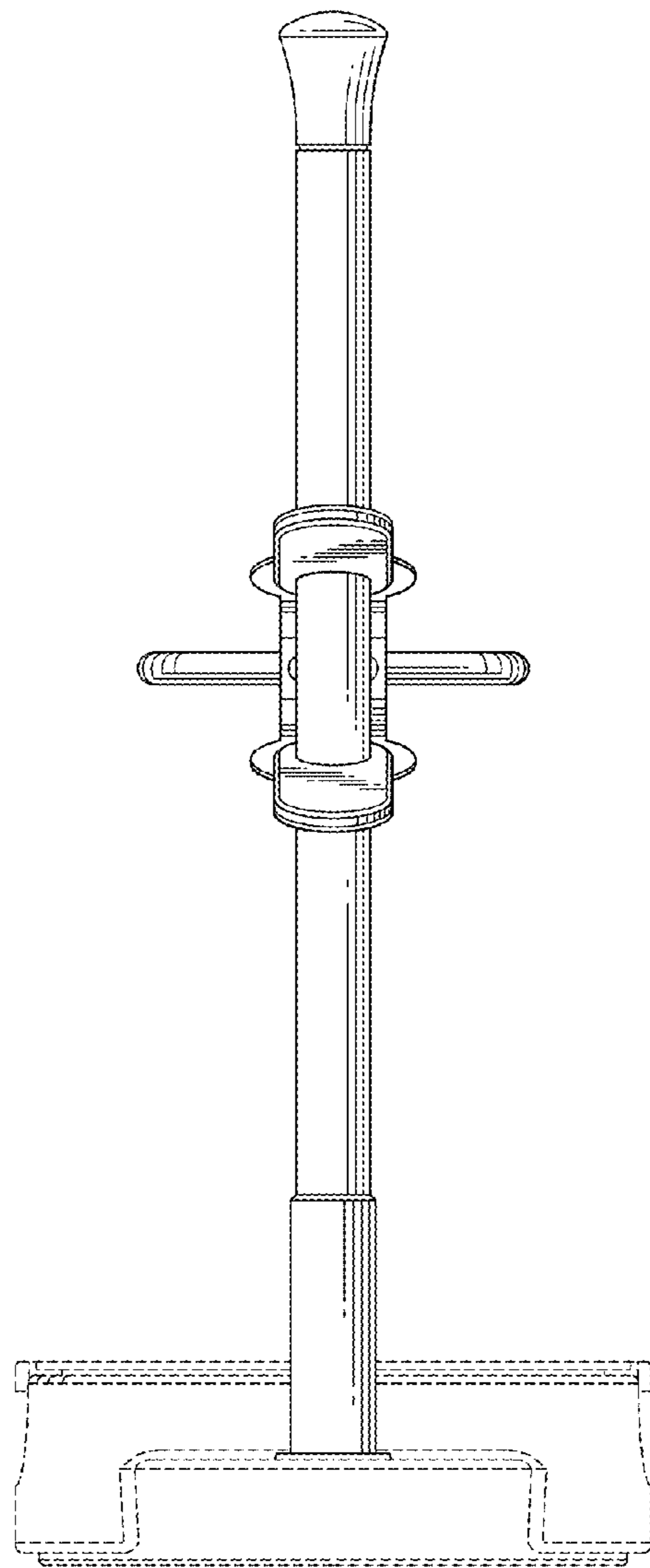


FIG.5

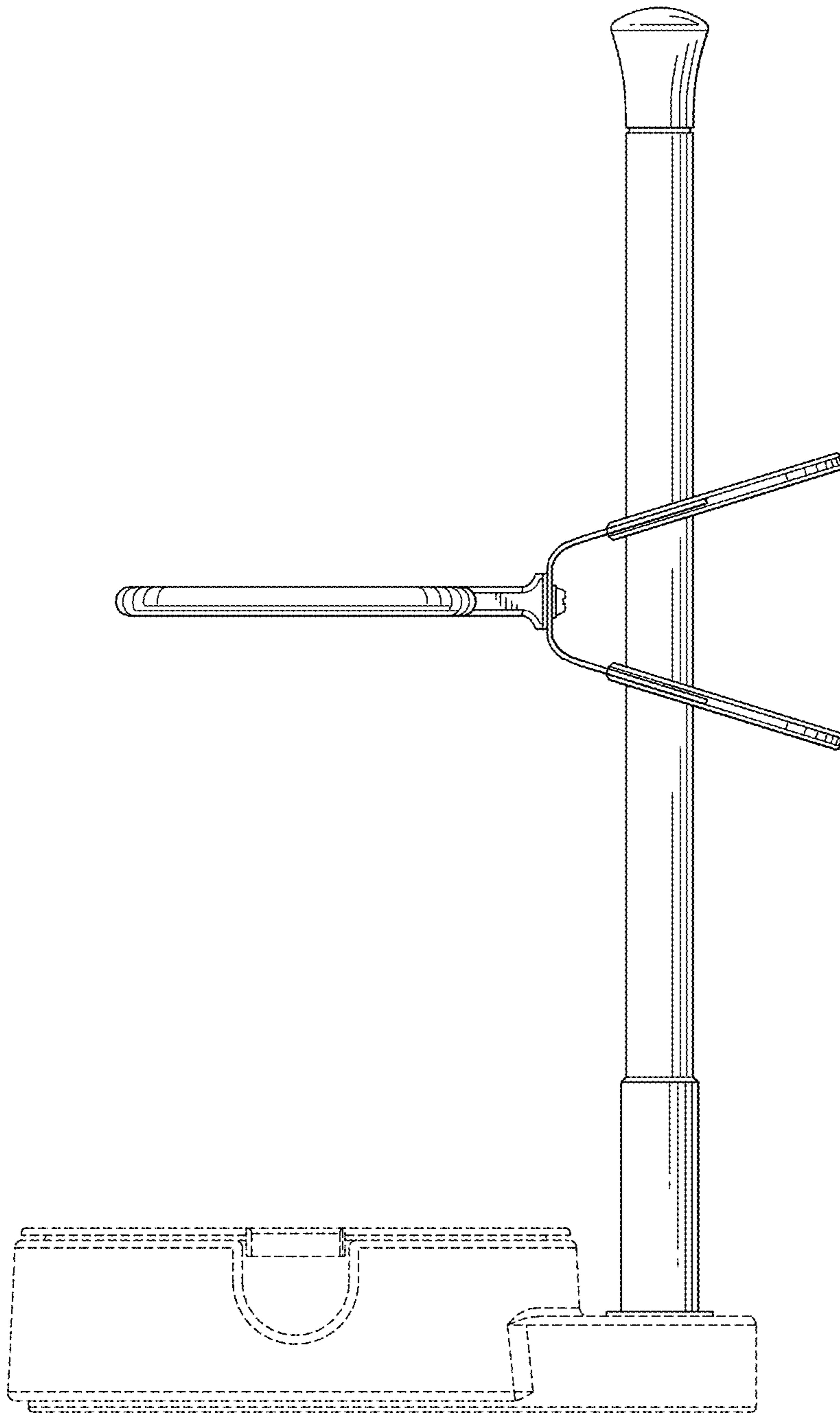


FIG.6