



US00D690989S

(12) **United States Design Patent**
Cetera et al.

(10) **Patent No.:** **US D690,989 S**

(45) **Date of Patent:** **** Oct. 8, 2013**

(54) **SHAKER MUG**

(71) Applicants: **Carl Cetera**, Westfield, NJ (US);
Christon G. Suess, Bergenfield, NJ
(US); **Jillian L. Walbroel**, Woodland
Park, NJ (US)

(72) Inventors: **Carl Cetera**, Westfield, NJ (US);
Christon G. Suess, Bergenfield, NJ
(US); **Jillian L. Walbroel**, Woodland
Park, NJ (US)

(73) Assignee: **Cotapaxi Custom Design and
Manufacturing LLC**, Carlsdt, NJ (US)

(**) Term: **14 Years**

(21) Appl. No.: **29/442,866**

(22) Filed: **Jun. 3, 2013**

Related U.S. Application Data

(63) Continuation of application No. 29/442,116, filed on
Dec. 11, 2012, now Pat. No. Des. 687,661.

(51) **LOC (9) Cl.** **07-99**

(52) **U.S. Cl.**
USPC **D7/392.1; D7/900; D9/449; D9/446;
D9/447**

(58) **Field of Classification Search**
USPC **D7/300.1, 510, 511, 509, 392.1,
D7/396.2, 900; 222/547, 144.5, 556, 545;
220/713, 715; 215/237; D9/449, 447, 446,
D9/445, 443**
See application file for complete search history.

(56) **References Cited**

U.S. PATENT DOCUMENTS

D189,714 S * 2/1961 Ebstein D7/300.1
3,760,972 A * 9/1973 McKirnan 220/592.16

3,820,692 A *	6/1974	Swett et al.	222/547
D233,116 S *	10/1974	Swett et al.	D7/300.1
D421,547 S *	3/2000	Demers	D7/510
D482,936 S *	12/2003	Miller et al.	D7/629
D510,235 S *	10/2005	Sorensen	D7/510
D513,916 S *	1/2006	Namee	D7/300.1
D555,428 S *	11/2007	Tulett	D7/510
D580,227 S *	11/2008	Roth et al.	D7/510
D632,918 S *	2/2011	Gordon	D7/300.1
D634,160 S *	3/2011	Cetera	D7/510
D644,065 S *	8/2011	Llerena	D7/510
D646,919 S *	10/2011	Nilsson	D7/300.1
D653,493 S *	2/2012	Enghard	D7/300.1
D655,131 S *	3/2012	Nilsson	D7/392.1
D656,357 S *	3/2012	Enghard	D7/300.1
D660,083 S *	5/2012	Tyler et al.	D7/510
D666,047 S *	8/2012	Lin	D7/300.1
D682,016 S *	5/2013	Knight	D7/392.1
D682,612 S *	5/2013	Rzepecki	D7/392.1

* cited by examiner

Primary Examiner — Marianne Pandozzi

(74) *Attorney, Agent, or Firm* — Steven E. Shapiro

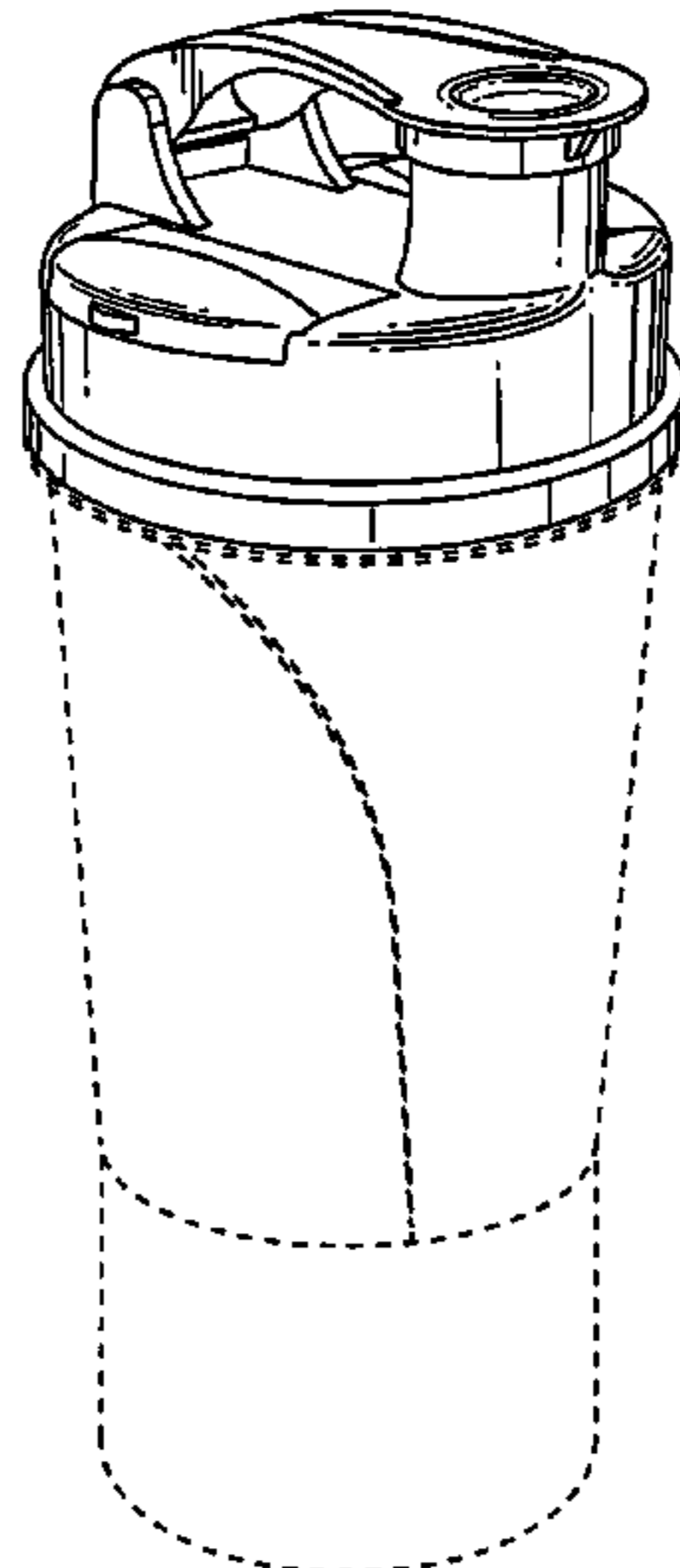
(57) **CLAIM**

The ornamental design for a shaker mug, as shown and described.

DESCRIPTION

FIG. 1 is a perspective view of a shaker mug;
FIG. 2 is a left side view of the shaker mug;
FIG. 3 is a right side view of the shaker mug;
FIG. 4 is a front view of the shaker mug;
FIG. 5 is a rear view of the shaker mug;
FIG. 6 is a top view of the shaker mug; and,
FIG. 7 is a bottom view of the shaker mug.
The broken lines are included for the purpose of illustrating portions of the shaker mug that form no part of the claimed design.

1 Claim, 3 Drawing Sheets



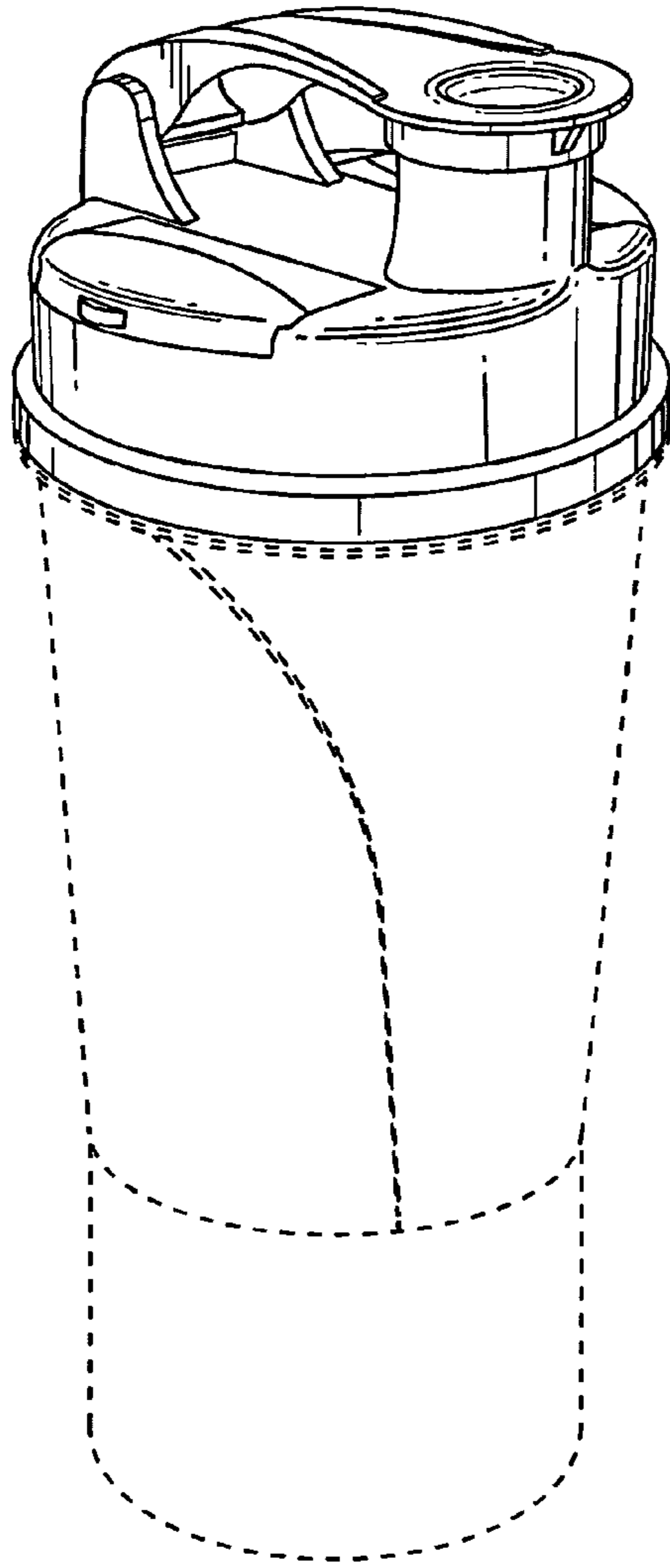
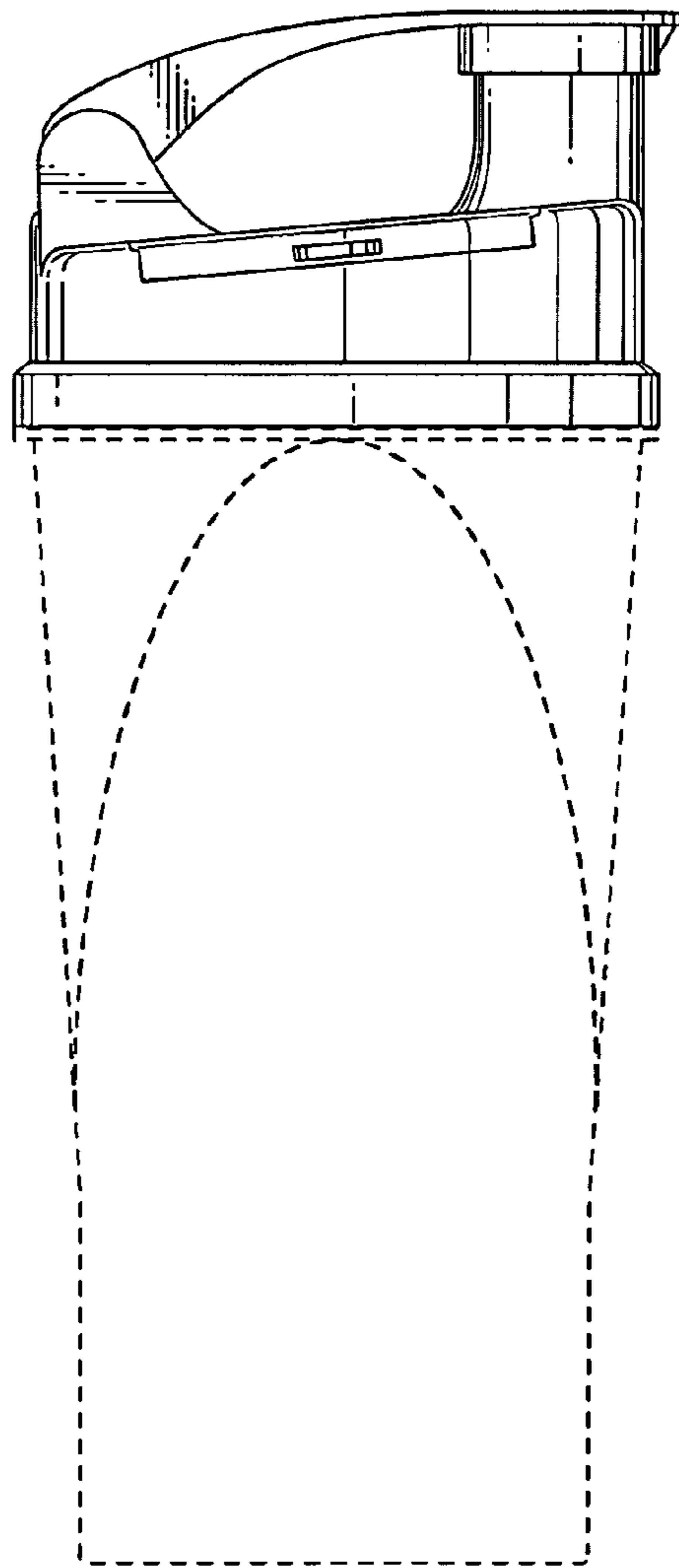


Fig. 1

Fig. 2



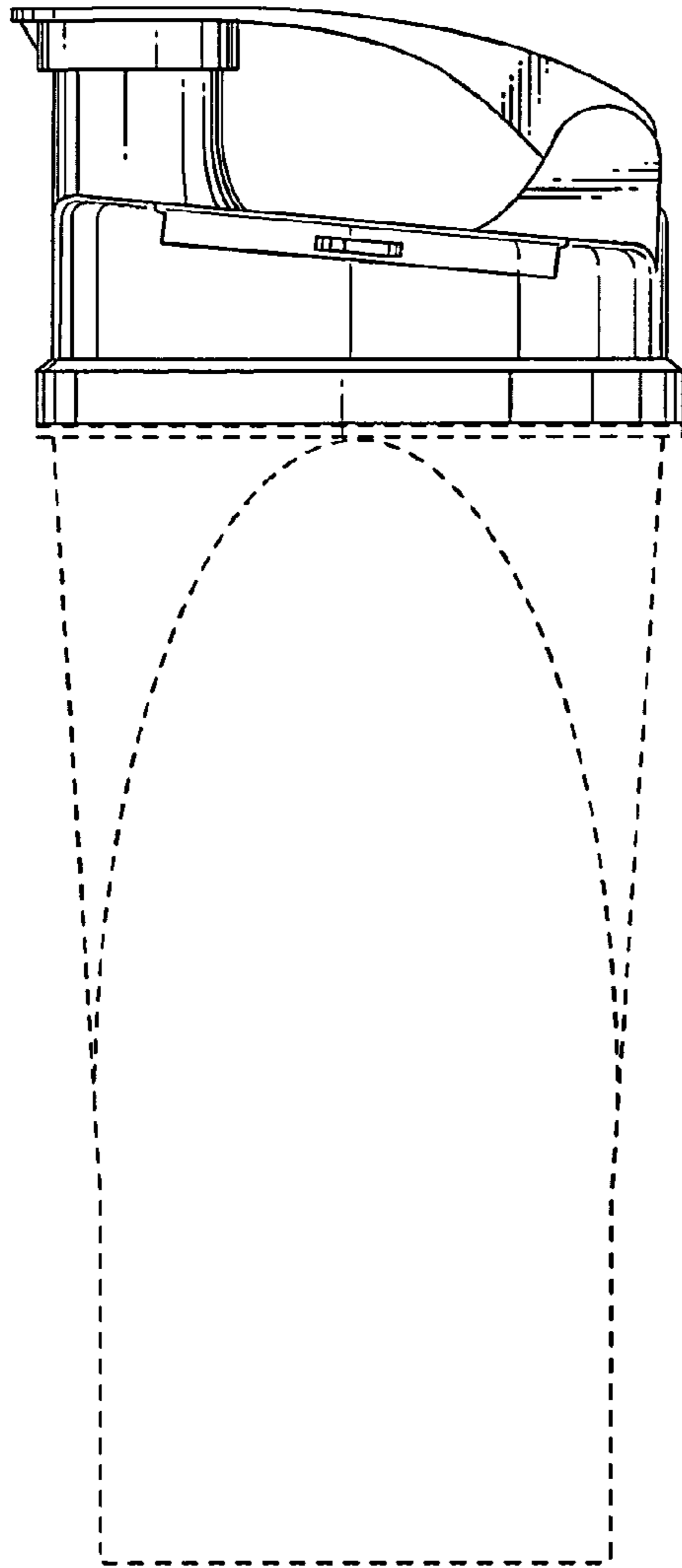
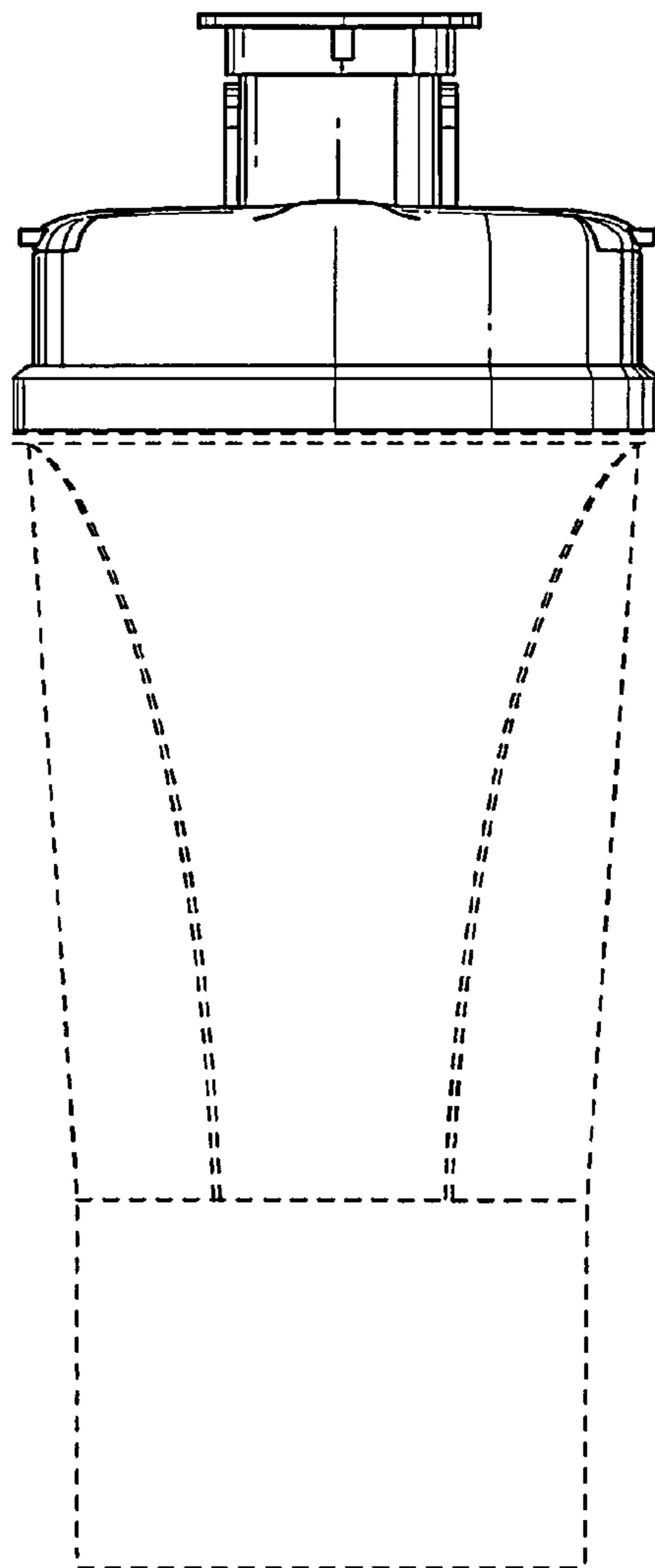


Fig. 3

Fig. 4



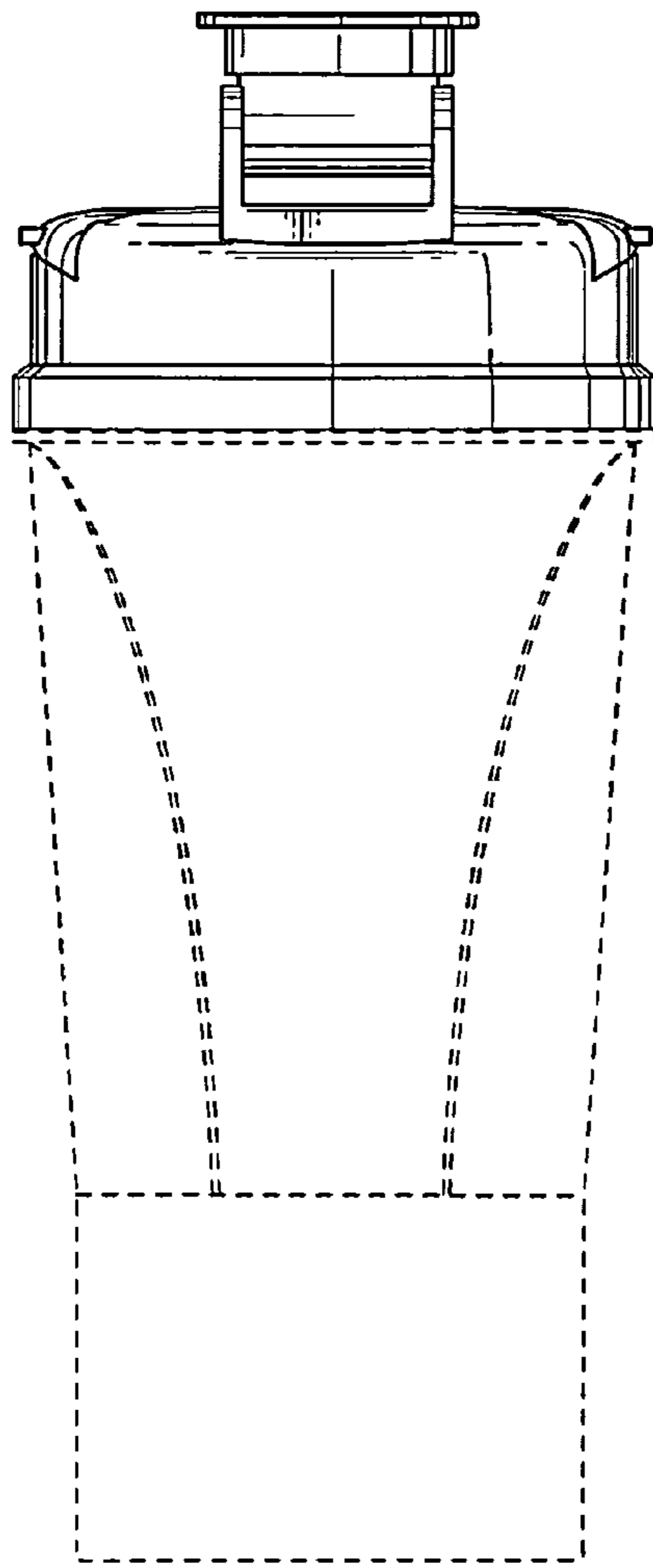


Fig. 5

Fig. 6

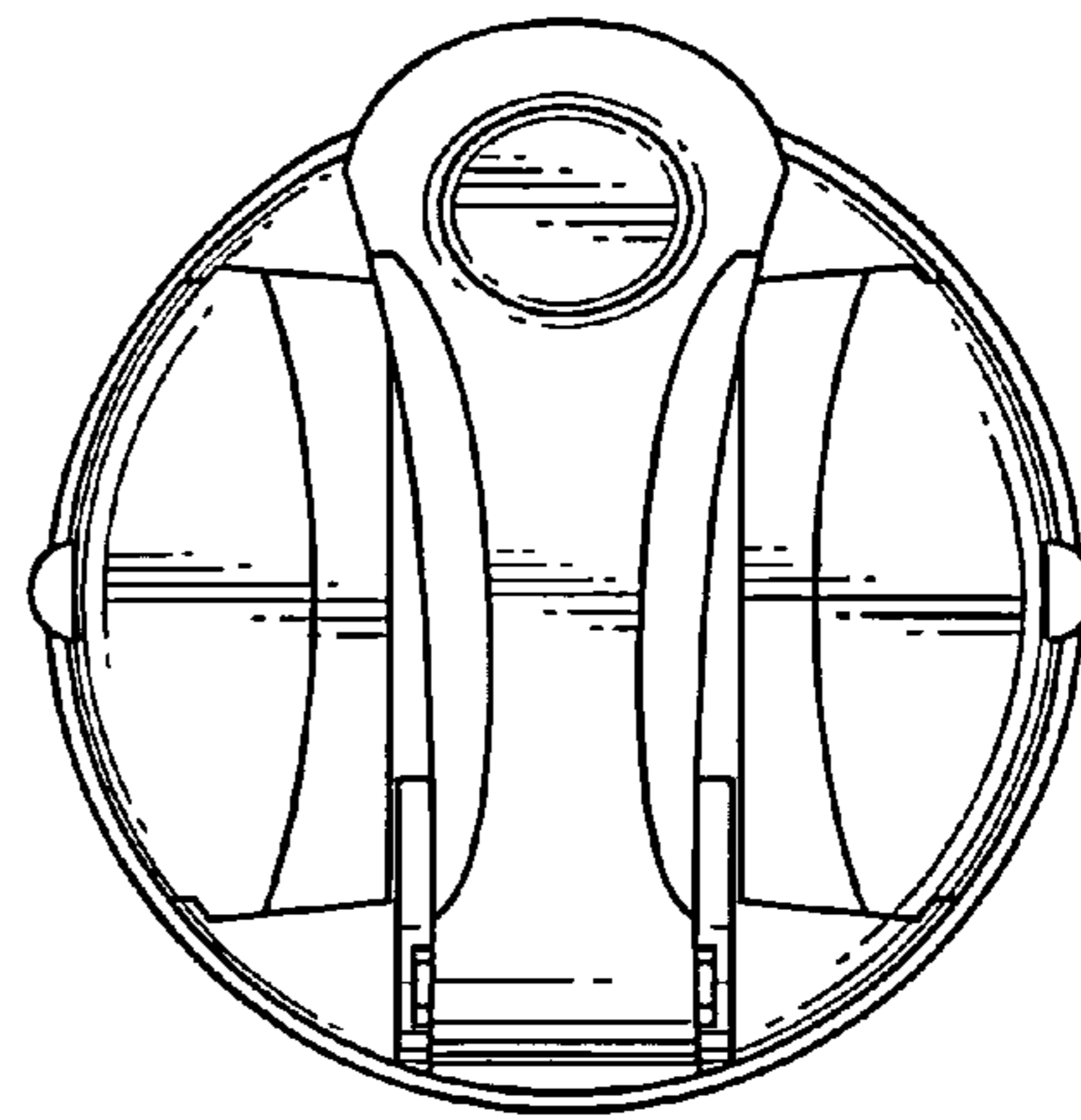


Fig. 7

