



US00D690988S

(12) **United States Design Patent**
Audette

(10) **Patent No.:** **US D690,988 S**
(45) **Date of Patent:** **** Oct. 8, 2013**

(54) **LID**
(75) Inventor: **David M Audette**, Webster, MA (US)
(73) Assignee: **Euro-Pro Operating LLC**, Newton, MA (US)
(**) Term: **14 Years**
(21) Appl. No.: **29/413,214**
(22) Filed: **Feb. 13, 2012**
(51) **LOC (9) Cl.** **07-02**
(52) **U.S. Cl.**
USPC **D7/392.1; D9/447**
(58) **Field of Classification Search**
USPC D7/391, 392, 392.1, 510, 511, 629,
D7/900; D9/425, 434, 435, 438, 443, 444,
D9/445, 447, 449, 451-454; 215/271, 318,
215/319, 354, 364; 220/253, 254.1, 269,
220/522, 712-714, 719, 780, 781
See application file for complete search history.

D474,068 S * 5/2003 Fujii et al. D7/392.1
D485,759 S * 1/2004 Janky et al. D9/449
D486,734 S * 2/2004 Weber D9/445
D488,376 S * 4/2004 Chung D9/434
D525,826 S * 8/2006 Kugler D7/392.1
D537,675 S * 3/2007 Khalifa D7/392.1
D570,213 S * 6/2008 Newman D9/447
D582,206 S * 12/2008 Fuller D7/392.1
D592,056 S 5/2009 Tedford, Jr.
D624,356 S 9/2010 Davies et al.
D625,951 S 10/2010 Baek
D631,284 S * 1/2011 Fuller D7/392.1
D643,245 S * 8/2011 Minarsch D7/392.1
D647,753 S * 11/2011 Lin D7/392.1
D651,045 S * 12/2011 Eyal D7/510
D661,588 S * 6/2012 Irani et al. D9/503
D662,776 S * 7/2012 Eyal D7/510
2010/0096395 A1 * 4/2010 Miller 220/711

* cited by examiner

Primary Examiner — Susan E Krakower

(74) *Attorney, Agent, or Firm* — Iandiorio Teska & Coleman, LLP

(56) **References Cited**

U.S. PATENT DOCUMENTS

D198,761 S * 7/1964 Roe D9/447
D256,889 S 9/1980 Swade et al.
D287,919 S 1/1987 Clements
D363,665 S * 10/1995 Goto et al. D9/434
D402,556 S * 12/1998 Frye D9/447
D411,713 S 6/1999 Bridges
D415,651 S * 10/1999 Trombly D7/392.1
D417,360 S * 12/1999 Bickert et al. D7/392.1
D417,845 S * 12/1999 Sadlier et al. D9/447
D431,412 S * 10/2000 Trombly D7/392.1
D450,583 S 11/2001 Freed
D461,361 S 8/2002 Orr et al.

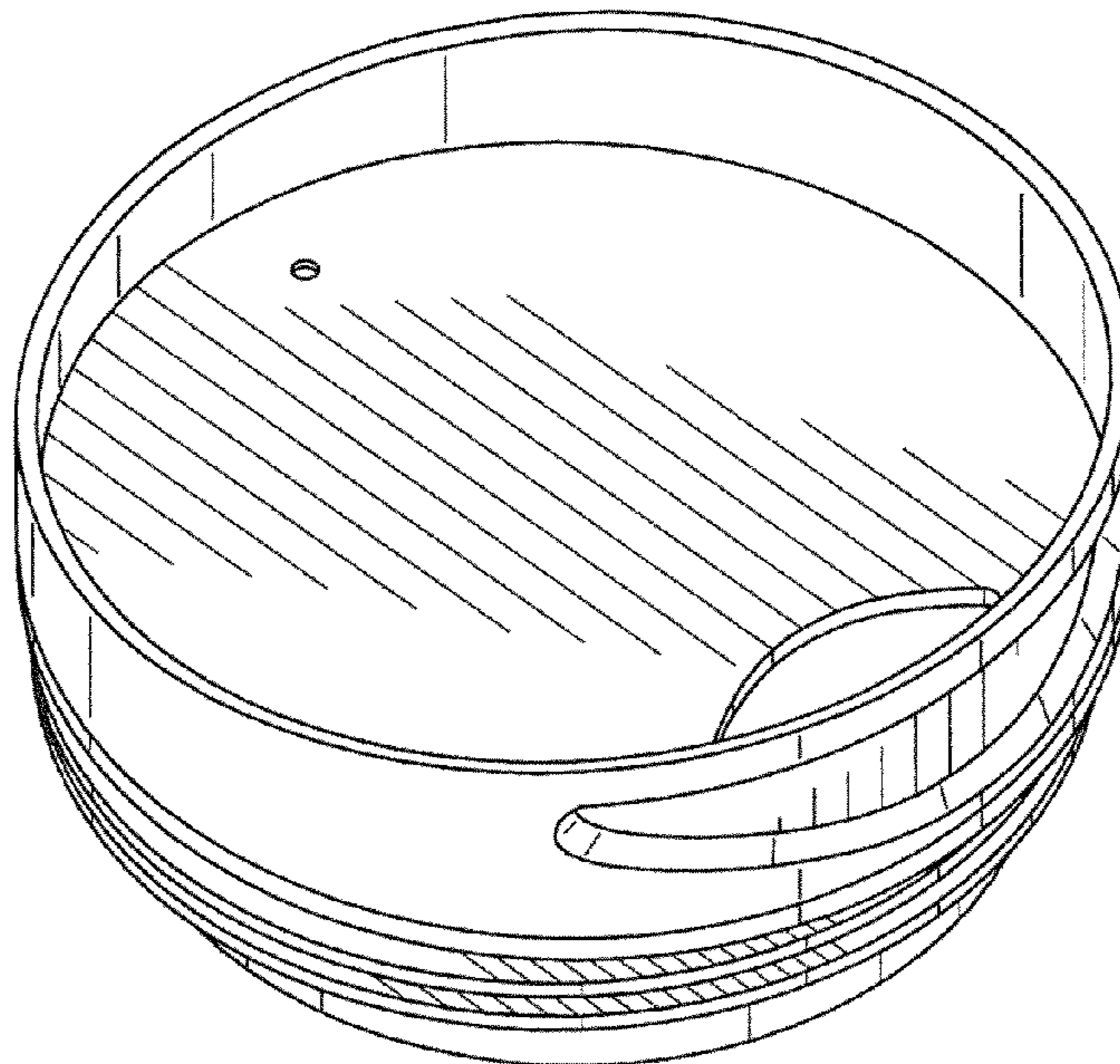
(57) **CLAIM**

The ornamental design for a lid, as shown and described.

DESCRIPTION

FIG. 1 is a perspective view of a lid in accordance with the present design;
FIG. 2 is a left side elevational view thereof;
FIG. 3 is a right side elevational view thereof;
FIG. 4 is a rear perspective view thereof;
FIG. 5 is a front perspective view thereof;
FIG. 6 is a top plan view thereof; and,
FIG. 7 is a bottom plan view thereof.

1 Claim, 3 Drawing Sheets



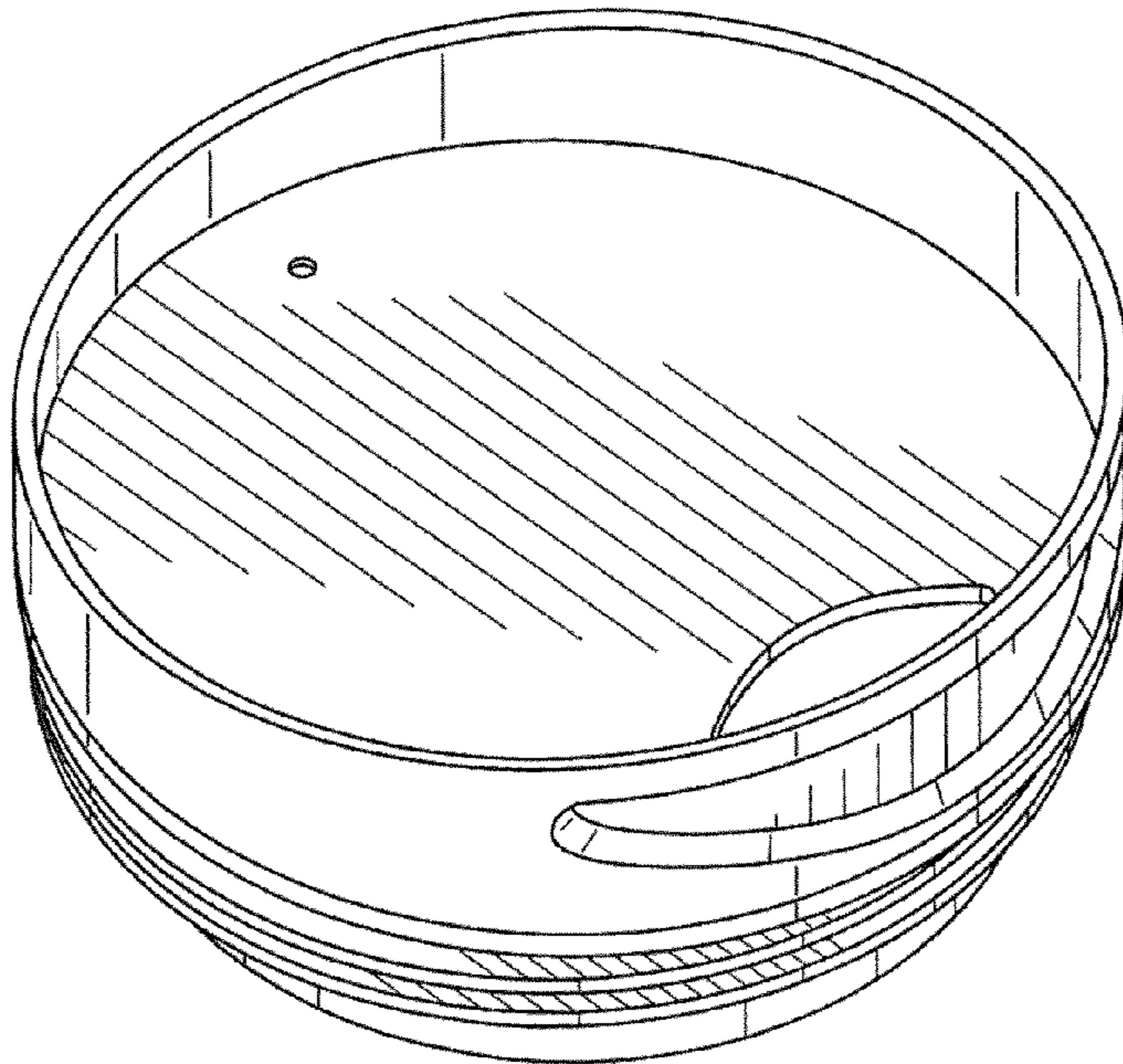


FIG. 1

FIG. 2

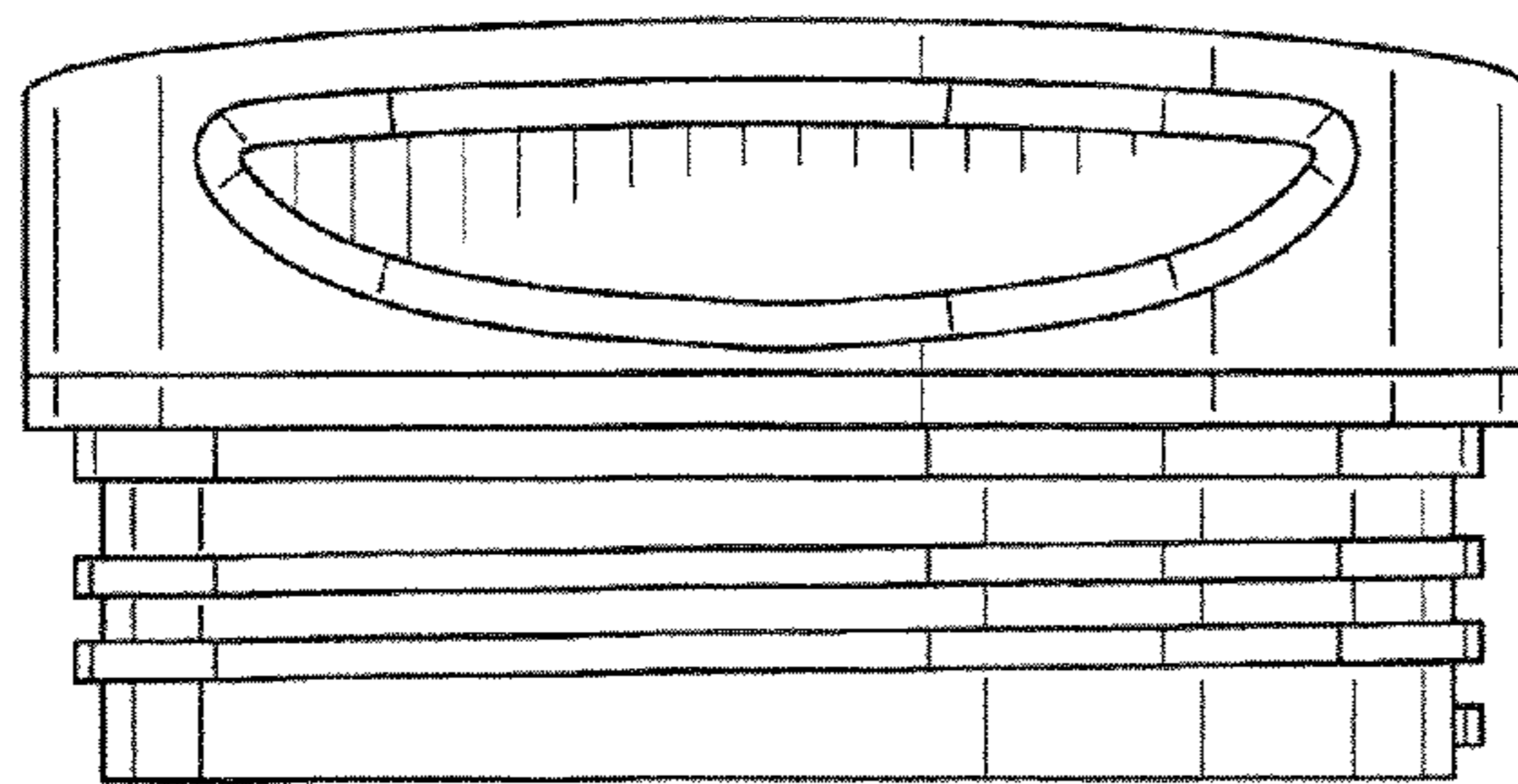
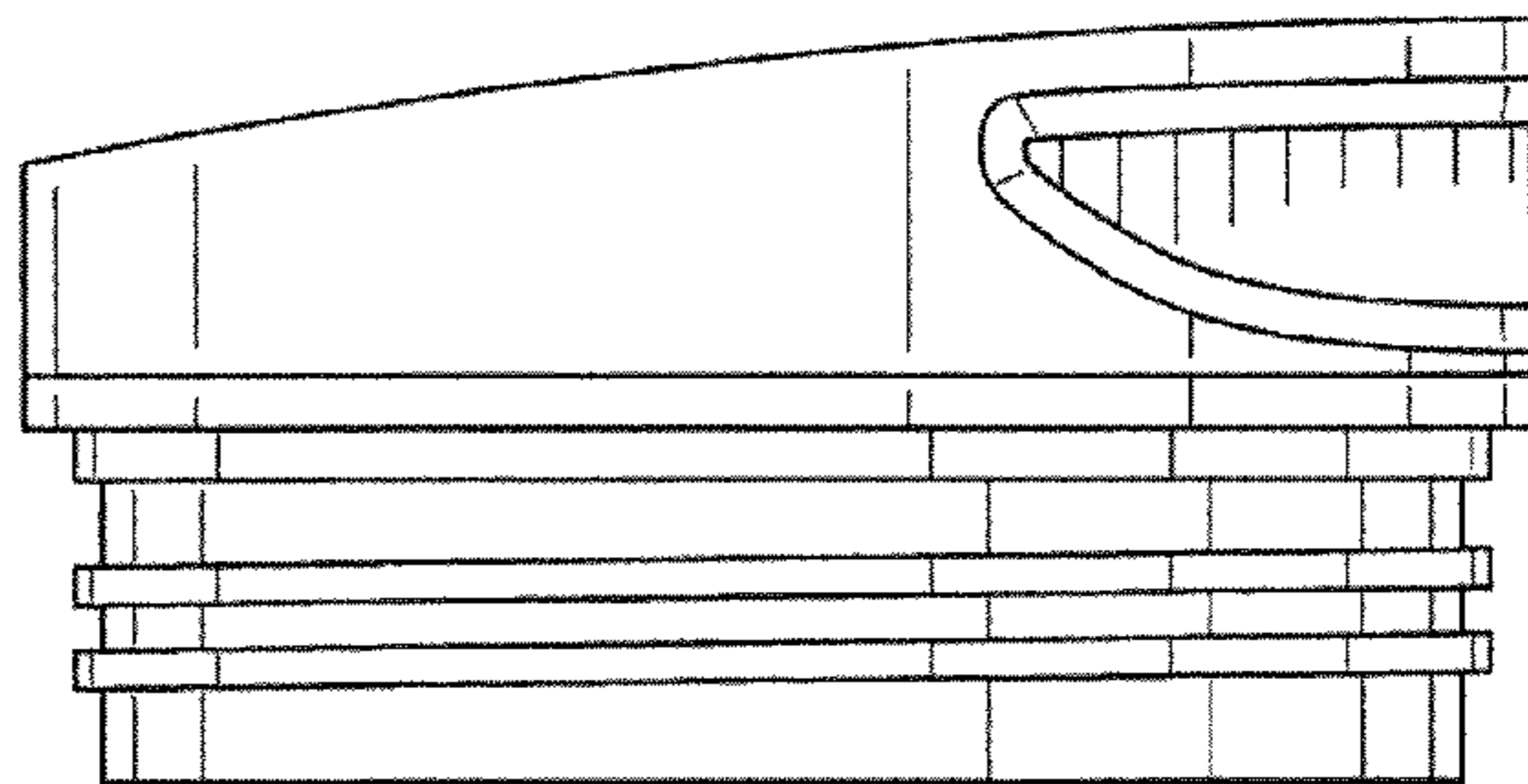


FIG. 5

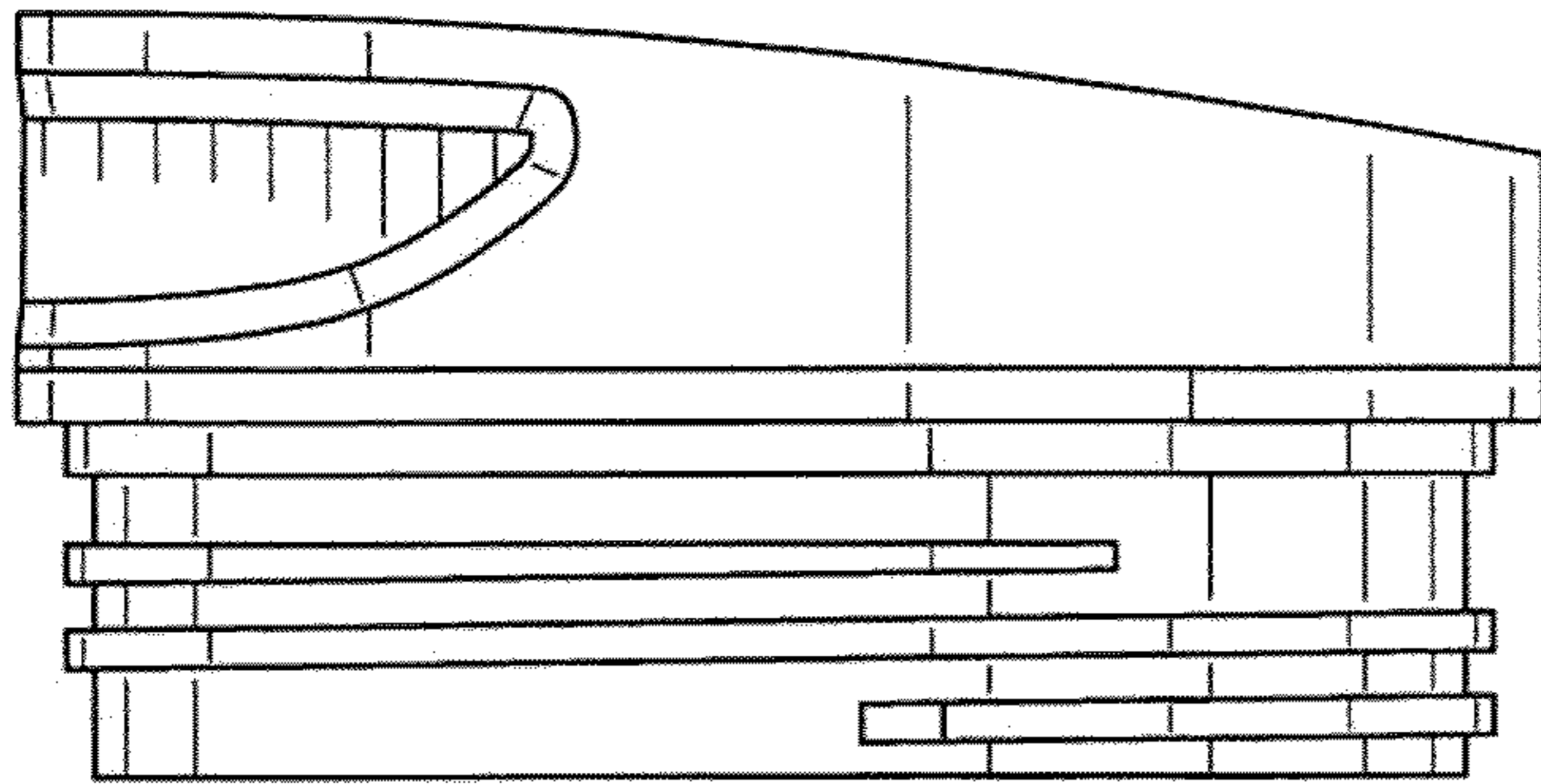


FIG. 3

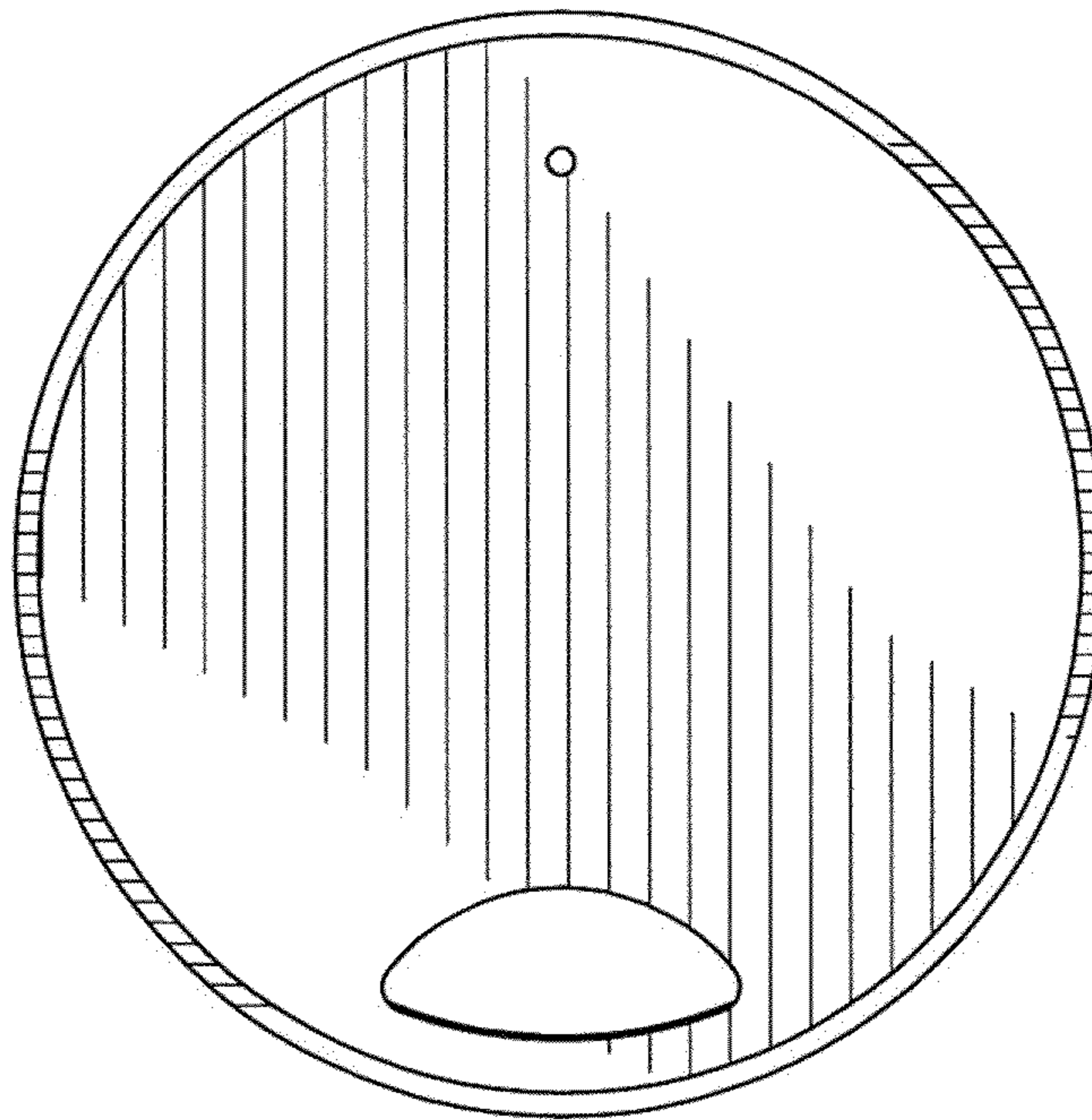


FIG. 6

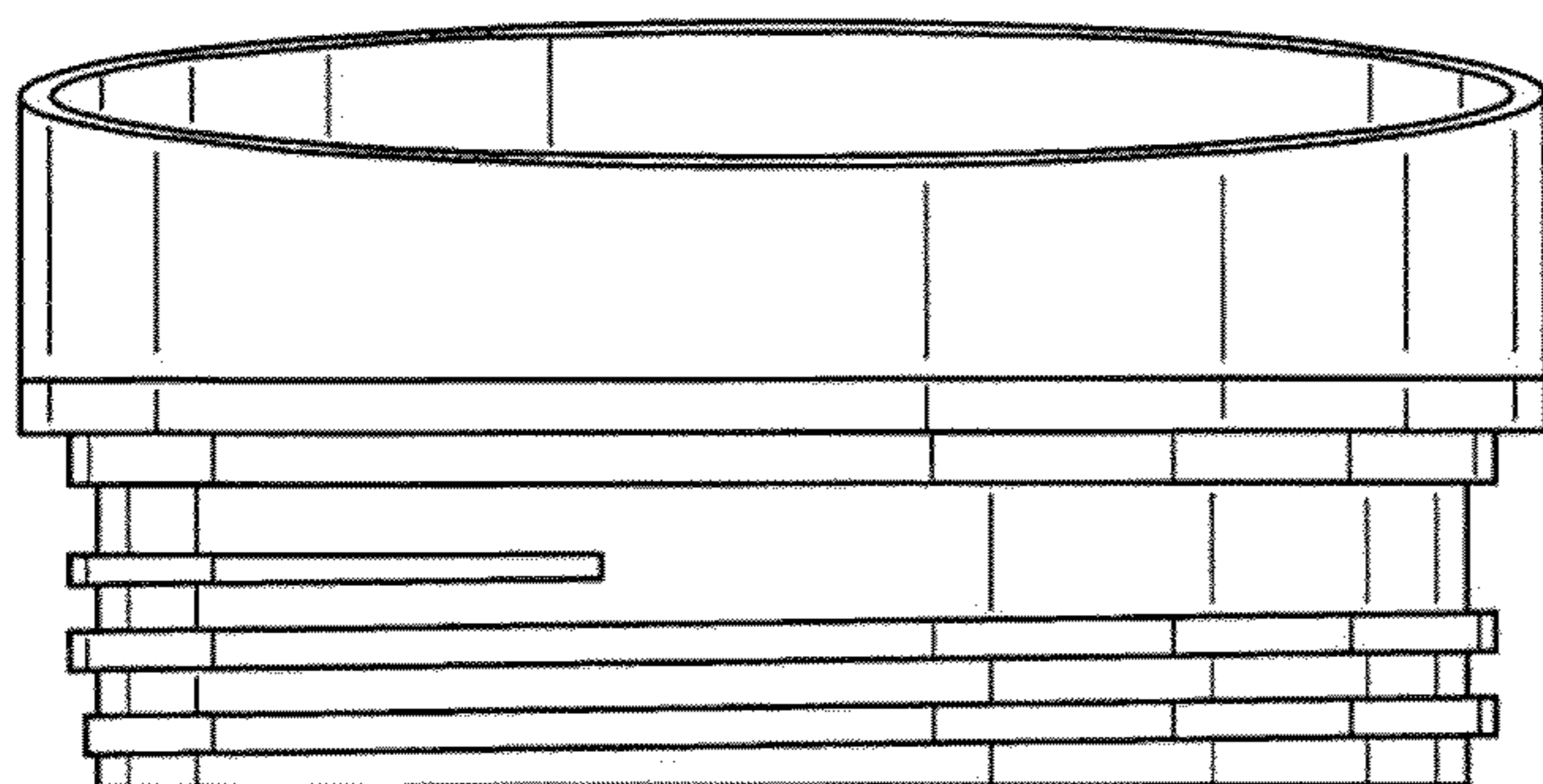


FIG. 4

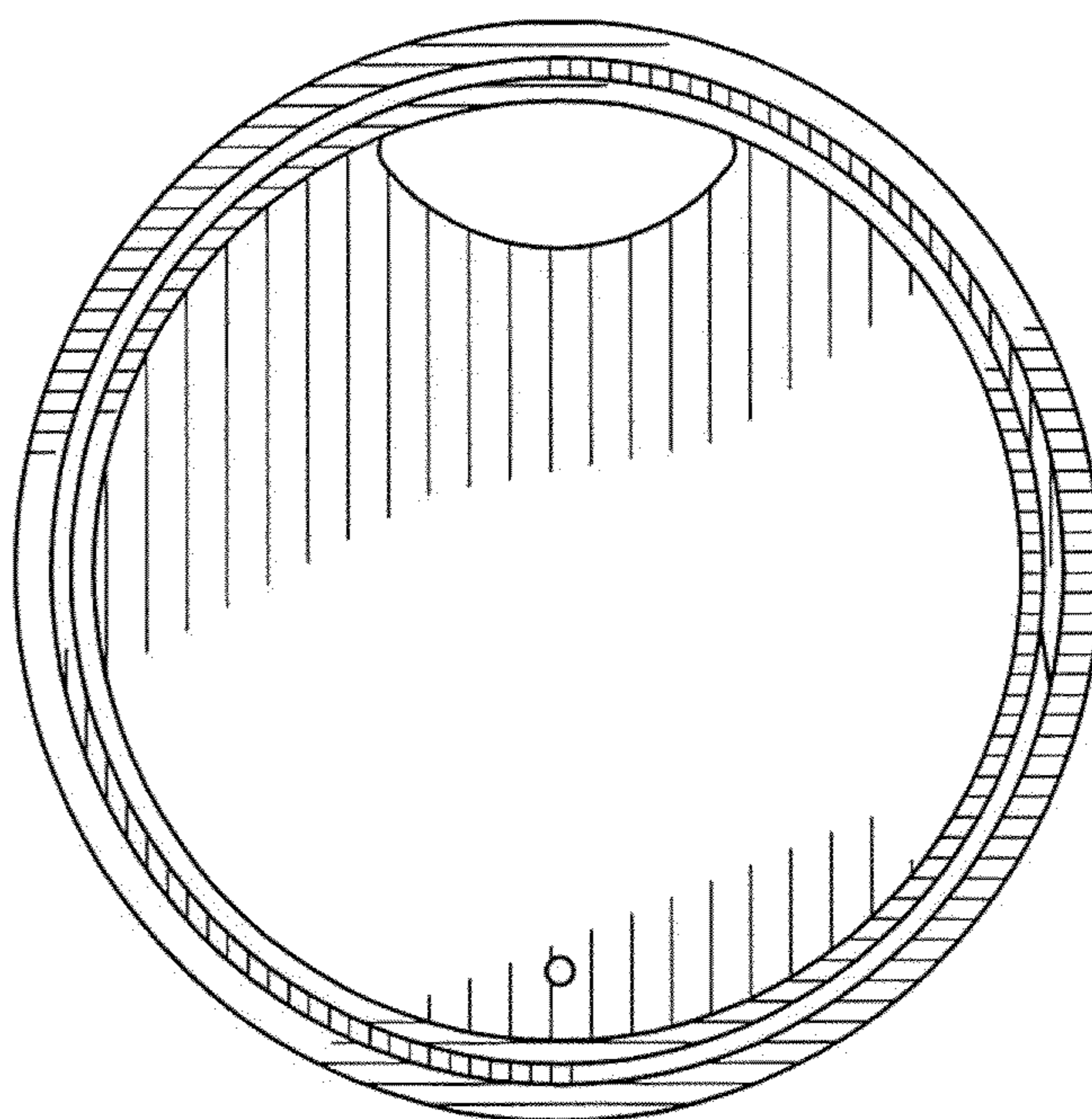


FIG. 7