



US00D690987S

(12) **United States Design Patent**
Gallen

(10) **Patent No.:** **US D690,987 S**

(45) **Date of Patent:** **** Oct. 8, 2013**

(54) **COFFEE CUP LID**

(76) **Inventor:** **Steven Gallen, Concord (CA)**

(**) **Term:** **14 Years**

(21) **Appl. No.:** **29/400,933**

(22) **Filed:** **Sep. 2, 2011**

(30) **Foreign Application Priority Data**

Jun. 27, 2011 (CA) 141067

(51) **LOC (9) Cl.** **07-02**

(52) **U.S. Cl.**
USPC **D7/392.1**

(58) **Field of Classification Search**
USPC D7/368, 391, 392, 392.1, 396.2,
D7/538, 585, 586, 629; D9/424, 425, 434,
D9/435, 440, 443, 447, 454; 222/480, 507,
222/546, 548, 553, 565; 220/210, 212.5,
220/703, 709, 711, 717, 783, 780, 788, 792,
220/793

See application file for complete search history.

(56) **References Cited**

U.S. PATENT DOCUMENTS

2,913,140 A * 11/1959 Vuilleminot 220/210
3,043,471 A * 7/1962 Coulson et al. 220/212.5

D332,379 S * 1/1993 Murphy D7/391
5,244,113 A * 9/1993 Stymiest 220/710.5
D394,184 S * 5/1998 Demore D7/391
D494,425 S * 8/2004 Segura D7/608
D511,457 S * 11/2005 Biesecker et al. D9/443
D584,566 S * 1/2009 Fuller D7/396.2
D612,235 S * 3/2010 Cresswell et al. D9/443
D641,594 S * 7/2011 Huang D7/629
D643,679 S * 8/2011 Lu D7/392.1

* cited by examiner

Primary Examiner — Susan E Krakower

(74) *Attorney, Agent, or Firm* — McAndrews, Held & Malloy, Ltd.

(57) **CLAIM**

The ornamental design for a coffee cup lid, as shown and described.

DESCRIPTION

FIG. 1 is a perspective view of a coffee cup lid showing my new design;

FIG. 2 is a top plan view thereof;

FIG. 3 is a bottom plan view thereof;

FIG. 4 is a front elevational view thereof;

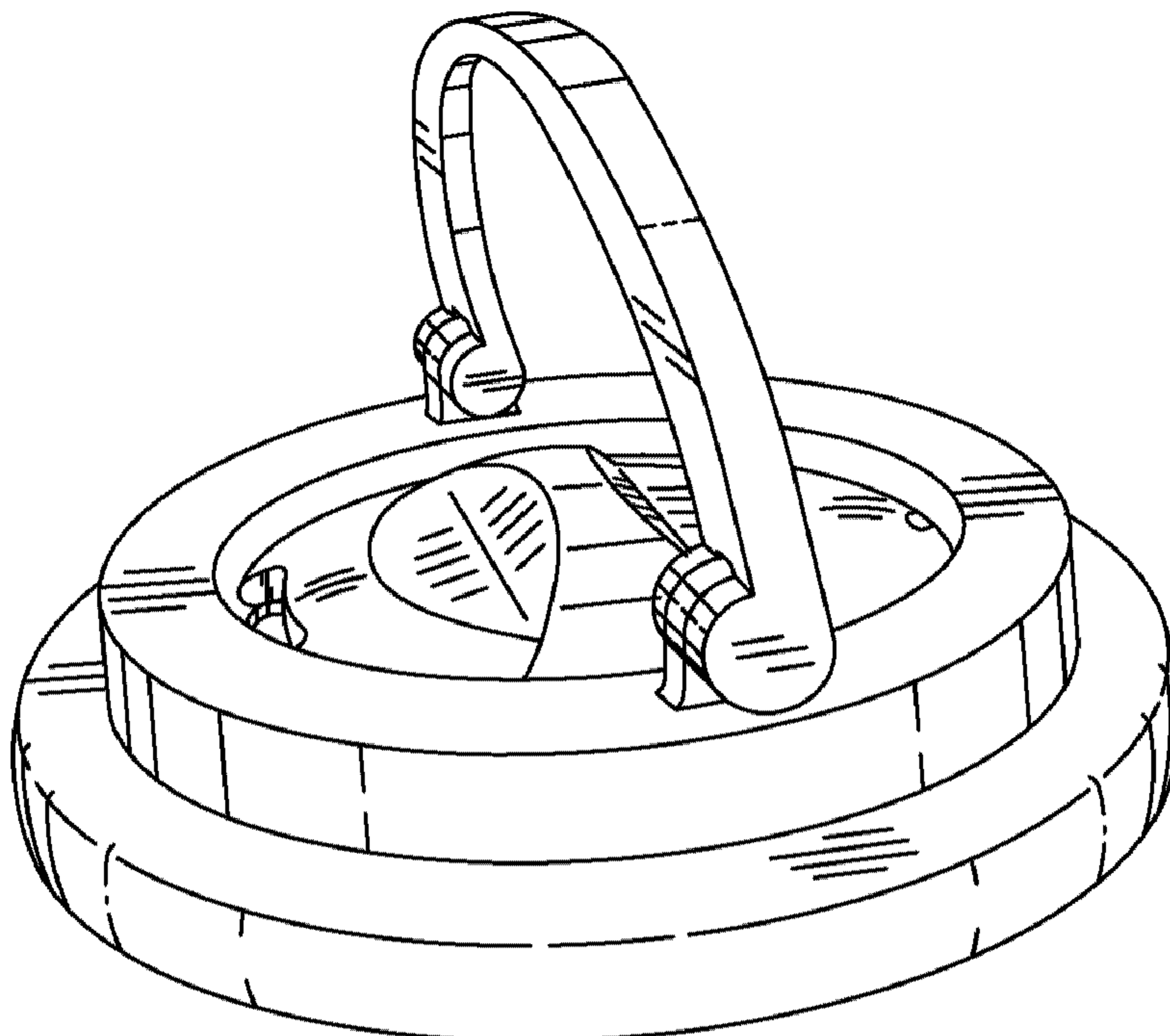
FIG. 5 is a rear elevational view thereof;

FIG. 6 is a left side elevational view thereof; and,

FIG. 7 is a right side elevational view thereof.

The dashed broken lines are for purposes of illustrating portions of the coffee cup lid and form no part of the claimed design.

1 Claim, 4 Drawing Sheets



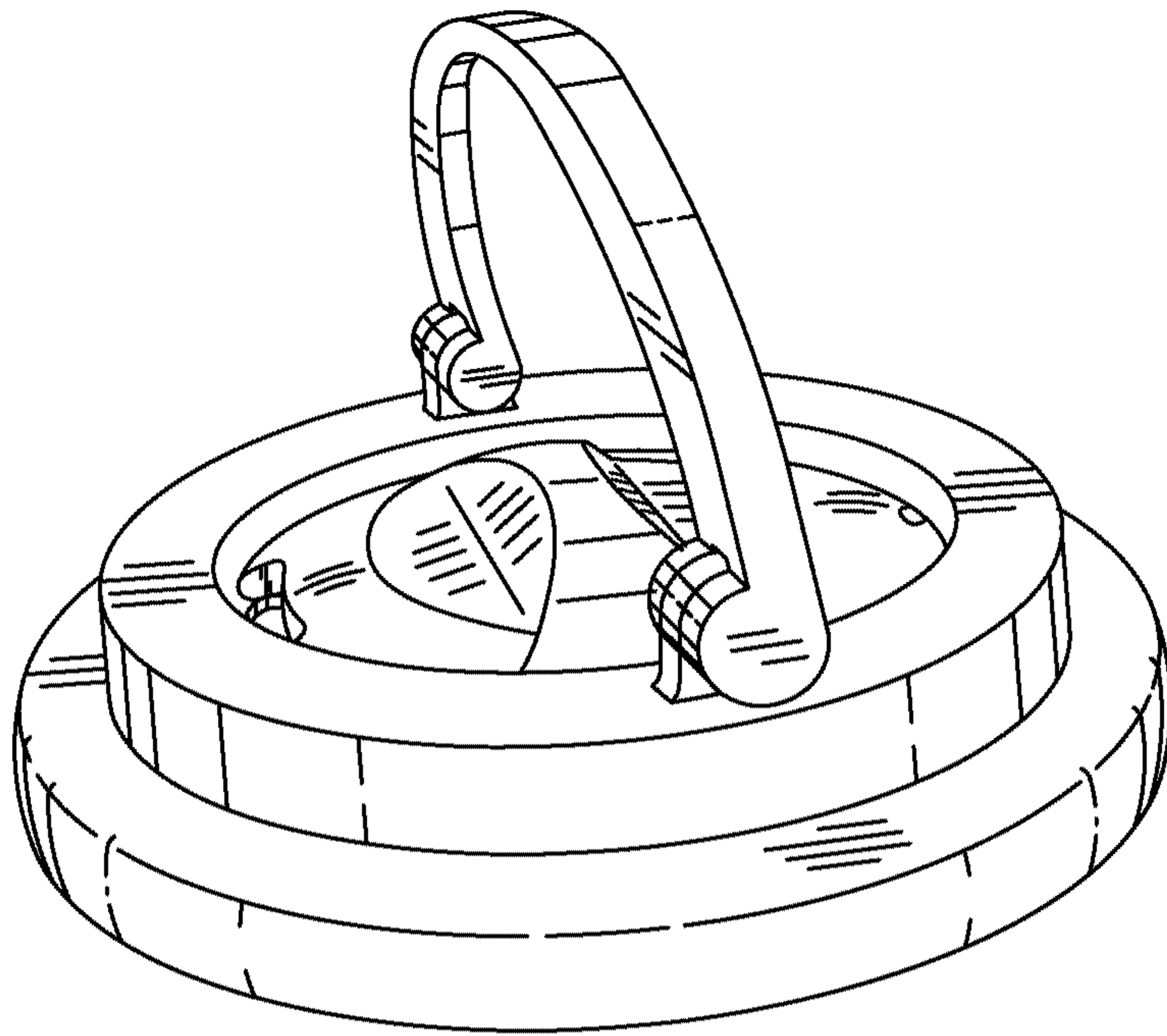


FIG. 1

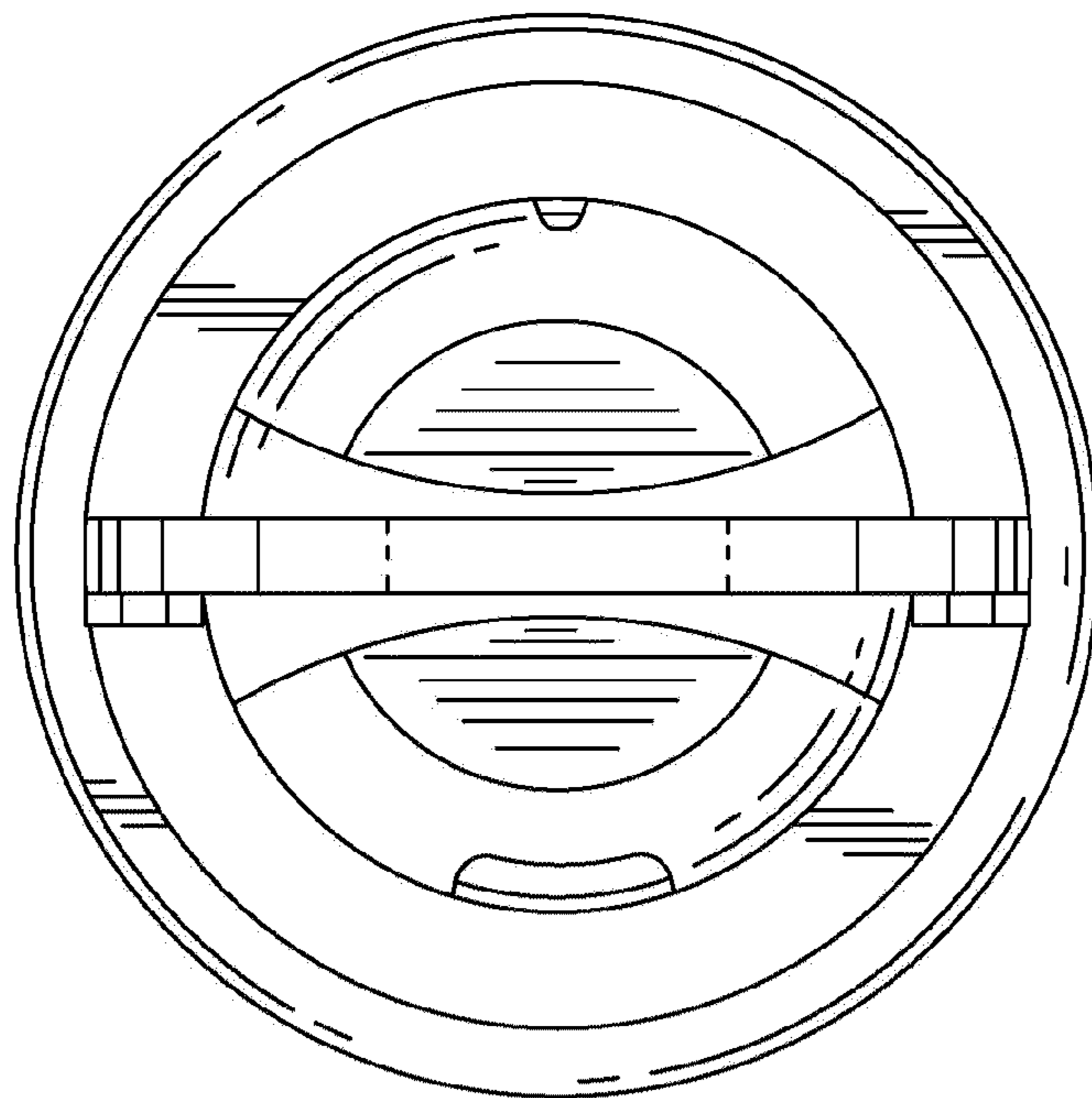


FIG. 2

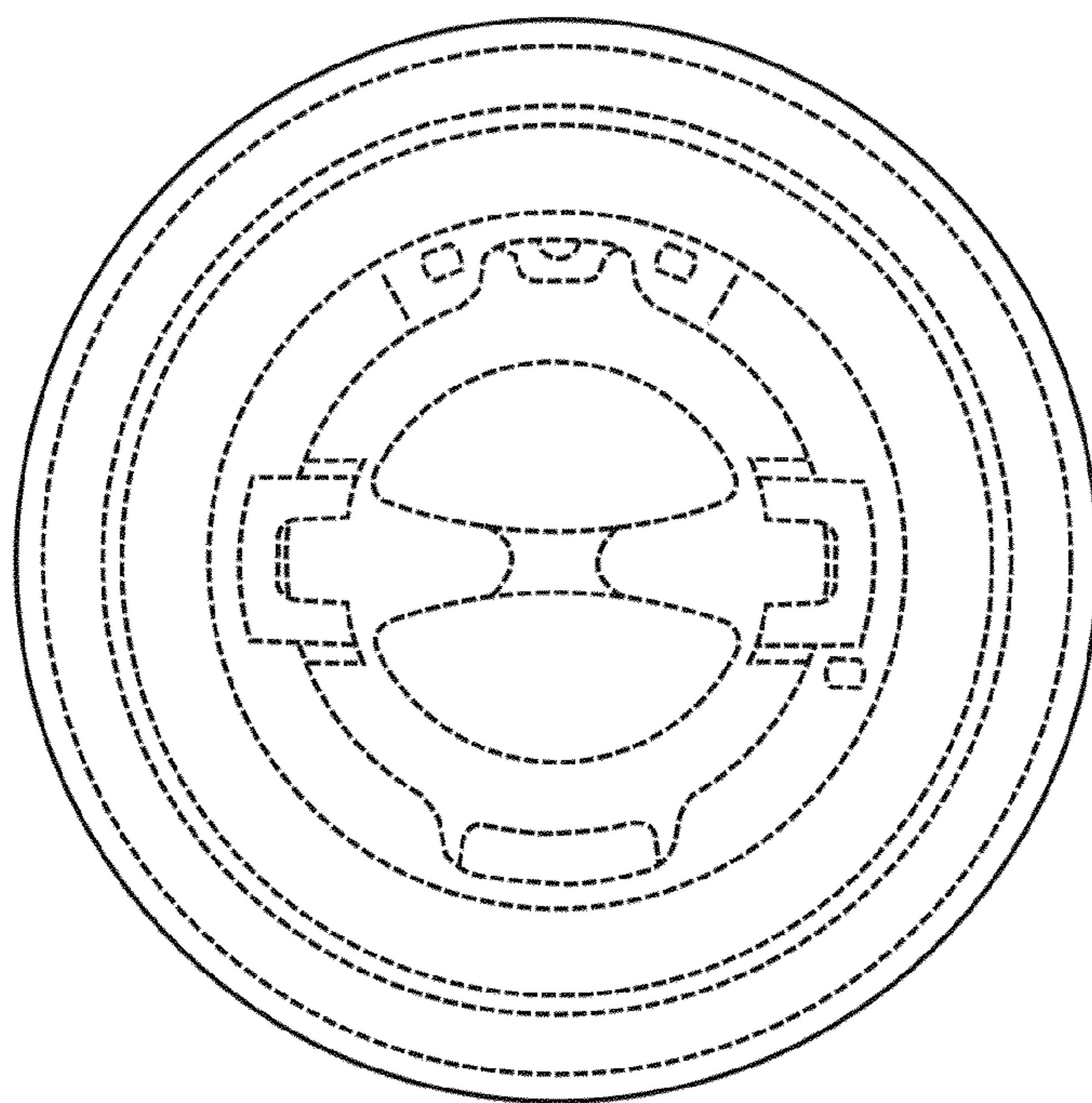


FIG. 3

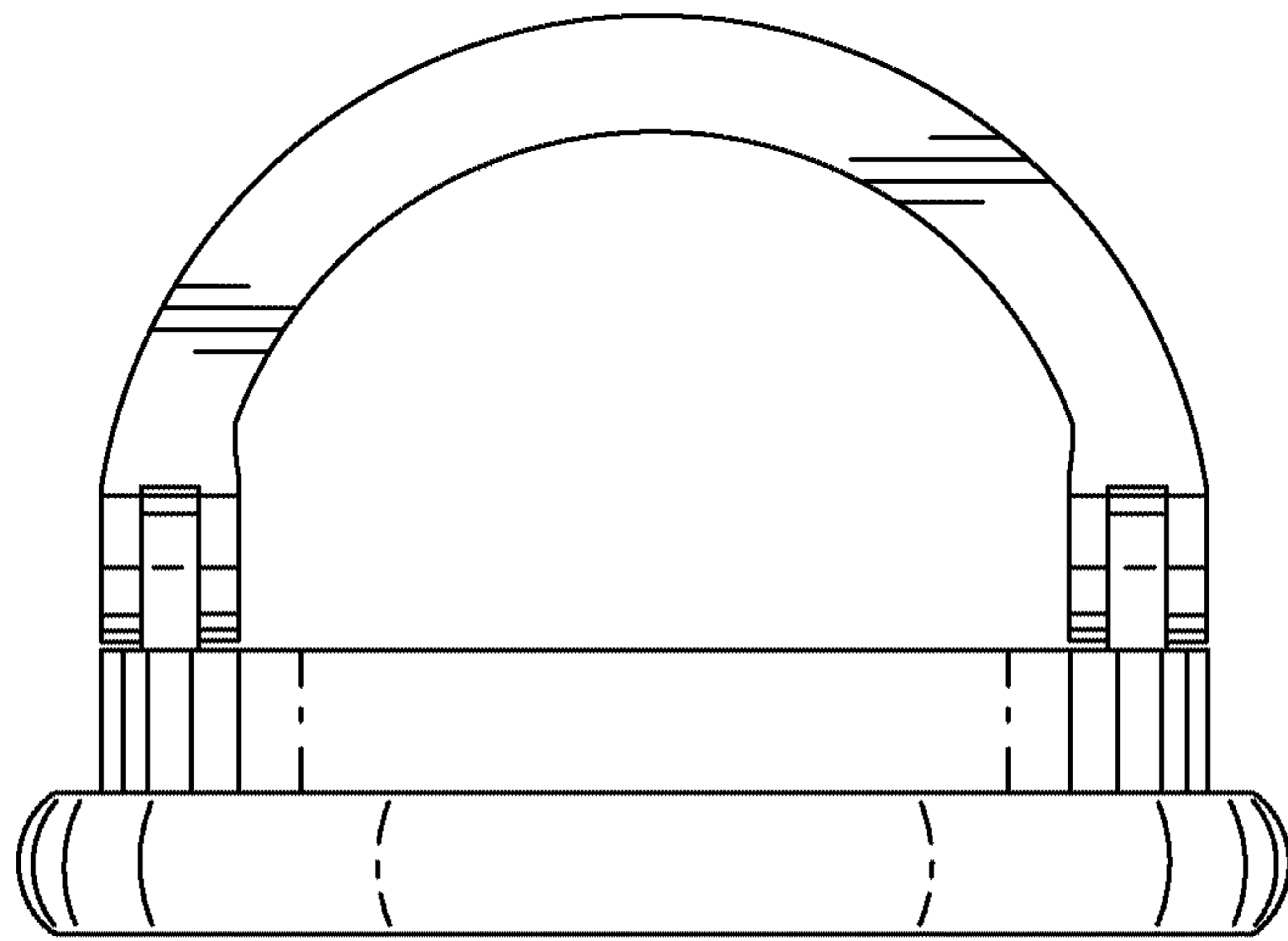


FIG. 4

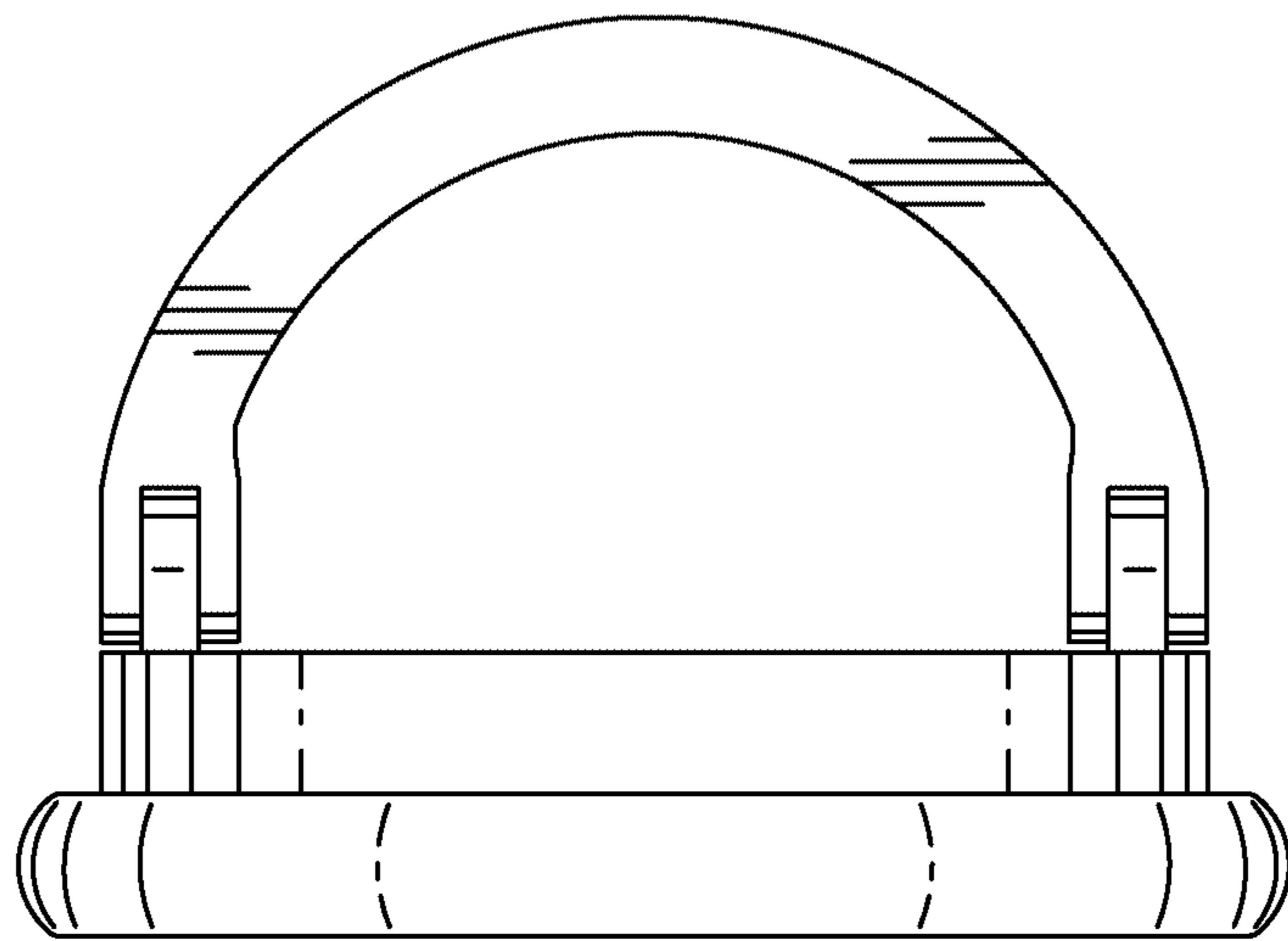


FIG. 5

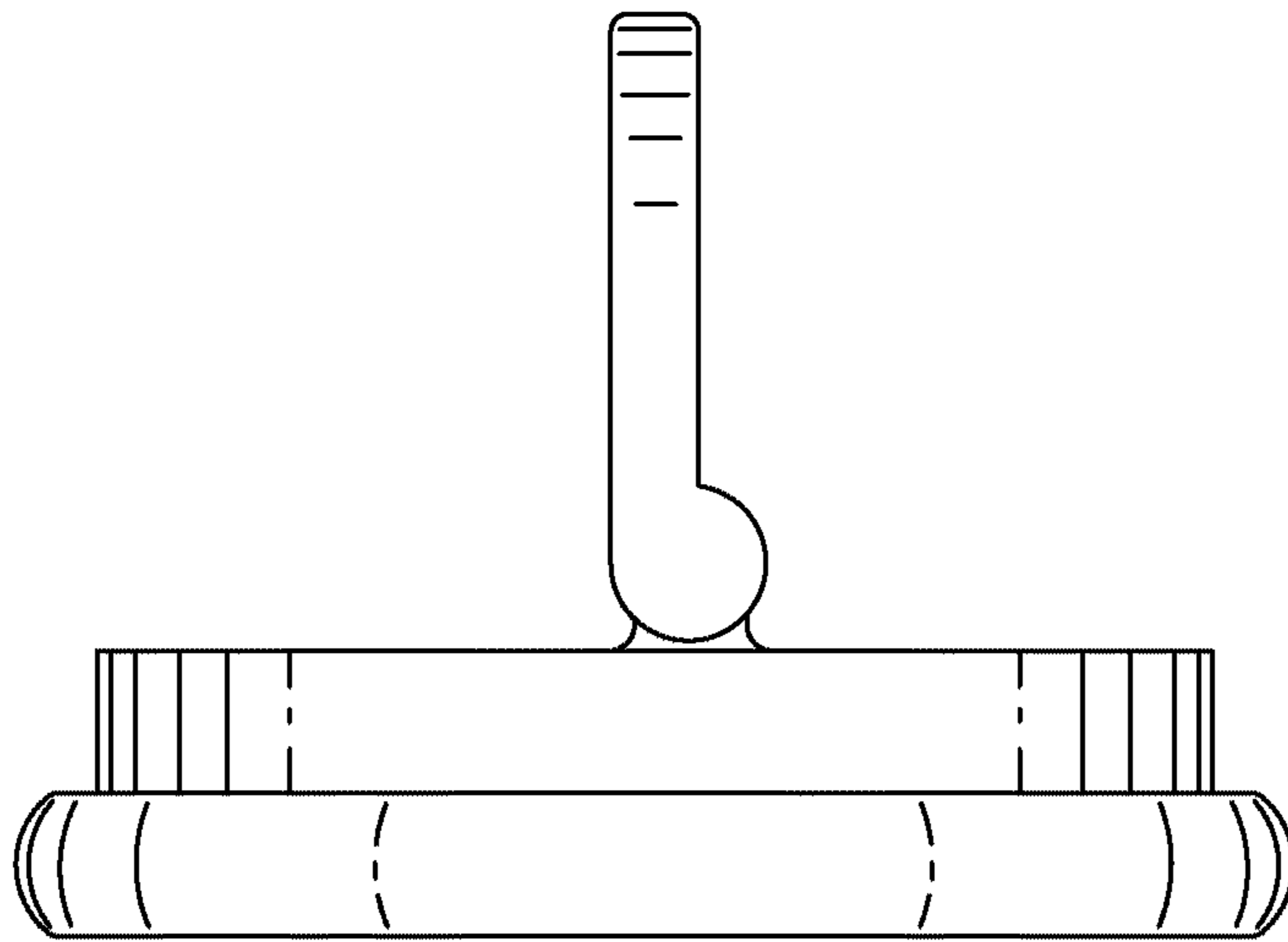


FIG. 6

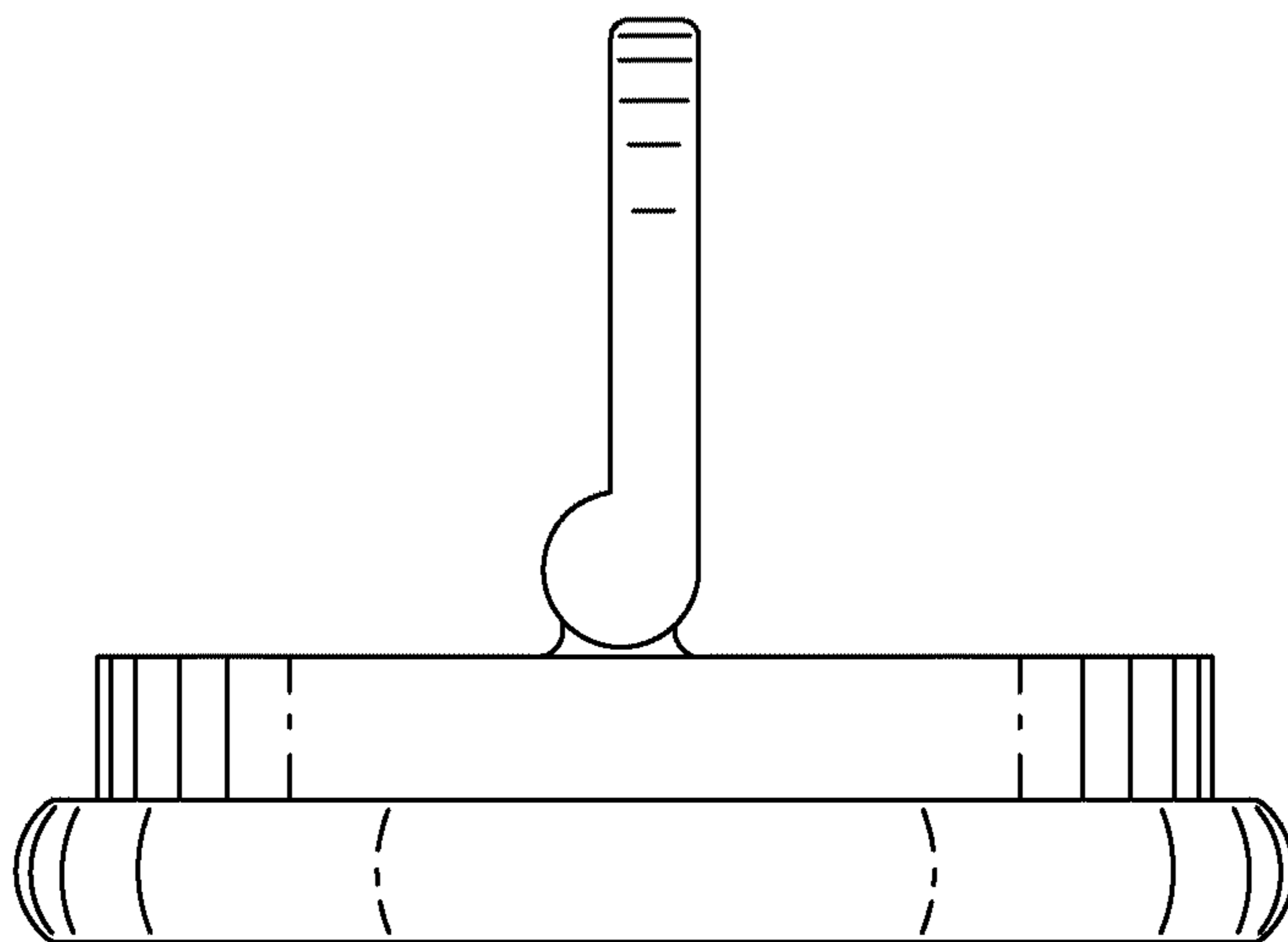


FIG. 7