



US00D690982S

(12) **United States Design Patent**  
**Lorenz**

(10) **Patent No.:** **US D690,982 S**  
(45) **Date of Patent:** **\*\* Oct. 8, 2013**

(54) **BED SLAT**

(75) Inventor: **Thomas Lorenz**, Wallenhorst (DE)

(73) Assignee: **Thomas Lorenz**, Wallenhorst (DE)

(\*\*) Term: **14 Years**

(21) Appl. No.: **29/430,295**

(22) Filed: **Aug. 23, 2012**

(51) **LOC (9) Cl.** ..... **06-06**

(52) **U.S. Cl.**  
USPC ..... **D6/718**

(58) **Field of Classification Search**  
USPC ..... D6/382-384, 392-395, 702, 718,  
D6/580; 5/53.1, 279.1, 280, 281, 907, 178,  
5/236.1, 238, 239, 241; D25/164  
See application file for complete search history.

(56) **References Cited**

**U.S. PATENT DOCUMENTS**

2,492,070 A \* 12/1949 Stone et al. .... 5/238  
D203,337 S \* 12/1965 Gaither ..... D25/164

5,815,860 A \* 10/1998 Mitchell ..... 5/236.1  
5,926,872 A \* 7/1999 Rossdeutscher ..... 5/236.1  
6,122,779 A \* 9/2000 Meili et al. .... 5/236.1  
D578,332 S \* 10/2008 Chen ..... D6/577  
2004/0107499 A1\* 6/2004 Verschuere et al. .... 5/236.1

\* cited by examiner

*Primary Examiner* — Janice Seeger

(74) *Attorney, Agent, or Firm* — Patricia M. Mathers

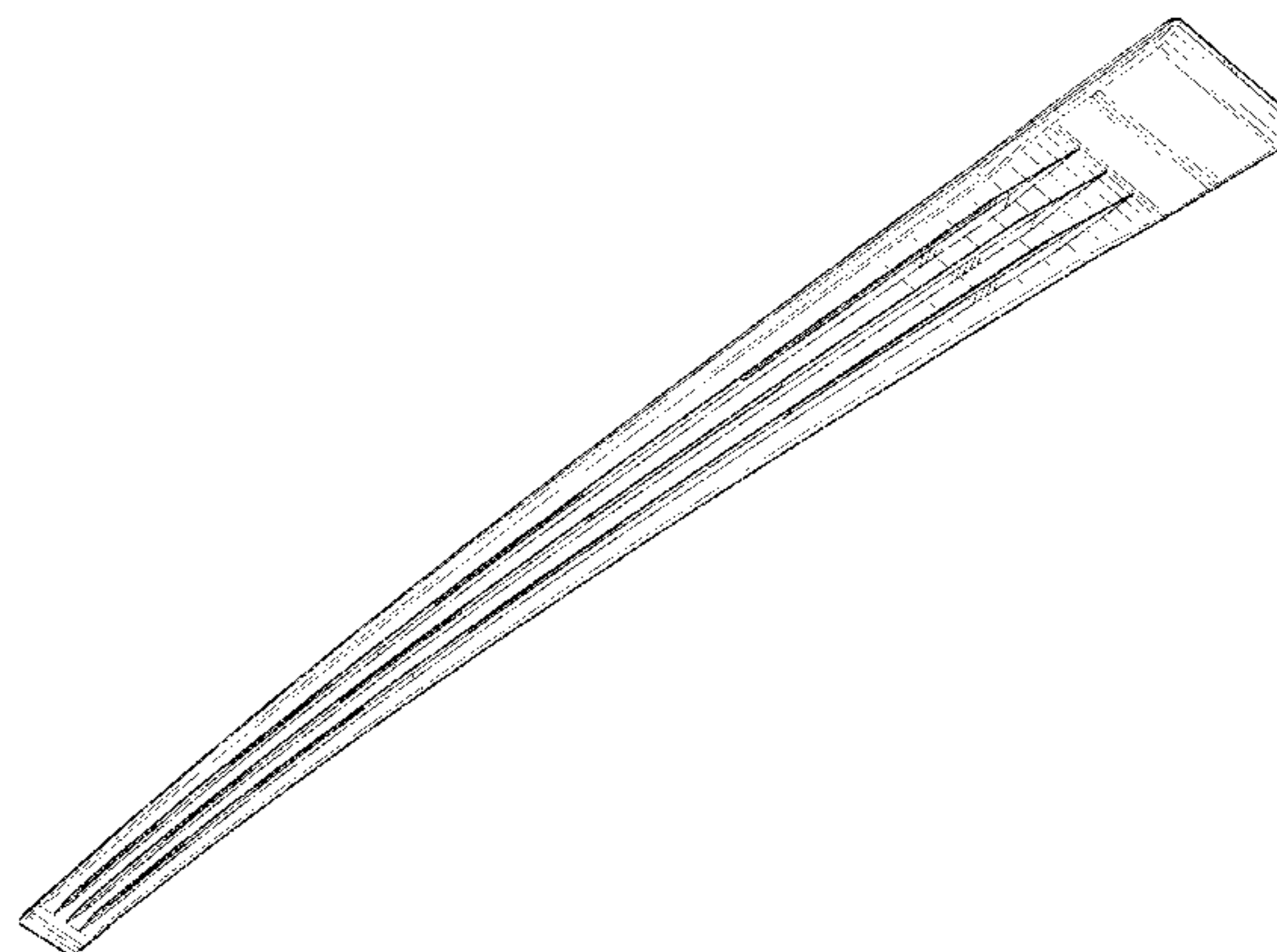
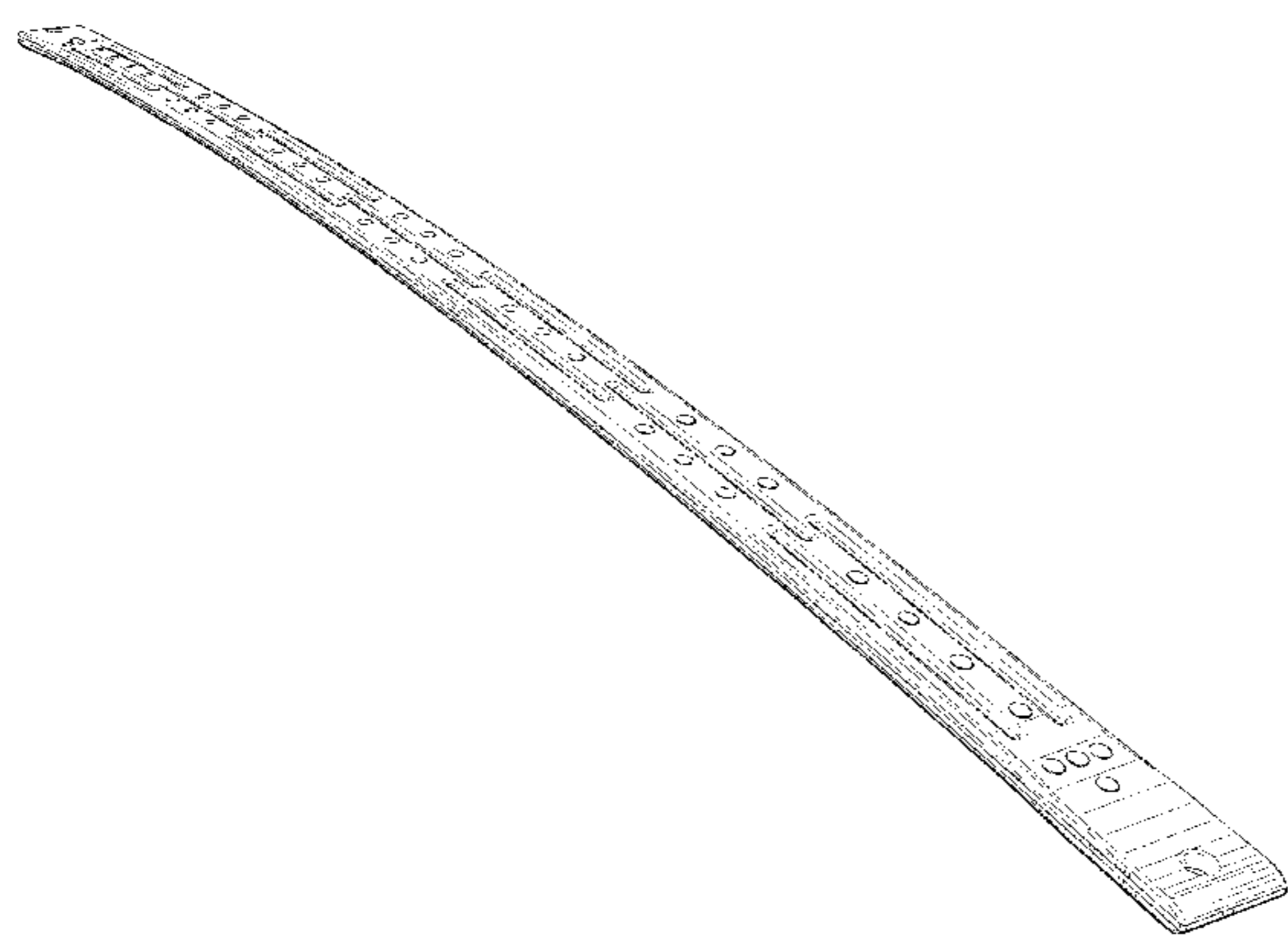
(57) **CLAIM**

The ornamental design for bed slat, as shown and described.

**DESCRIPTION**

FIG. 1 is a perspective view of the bed slat.  
FIG. 2 is a perspective view from below.  
FIG. 3 is a top plan view.  
FIG. 4 is a bottom plan view.  
FIG. 5 is a side plan view, both sides being the same.  
FIG. 6 is an end plan view, both ends being the same; and,  
FIG. 7 is a cross section through the center of the slat, as  
indicated in FIG. 3.

**1 Claim, 3 Drawing Sheets**



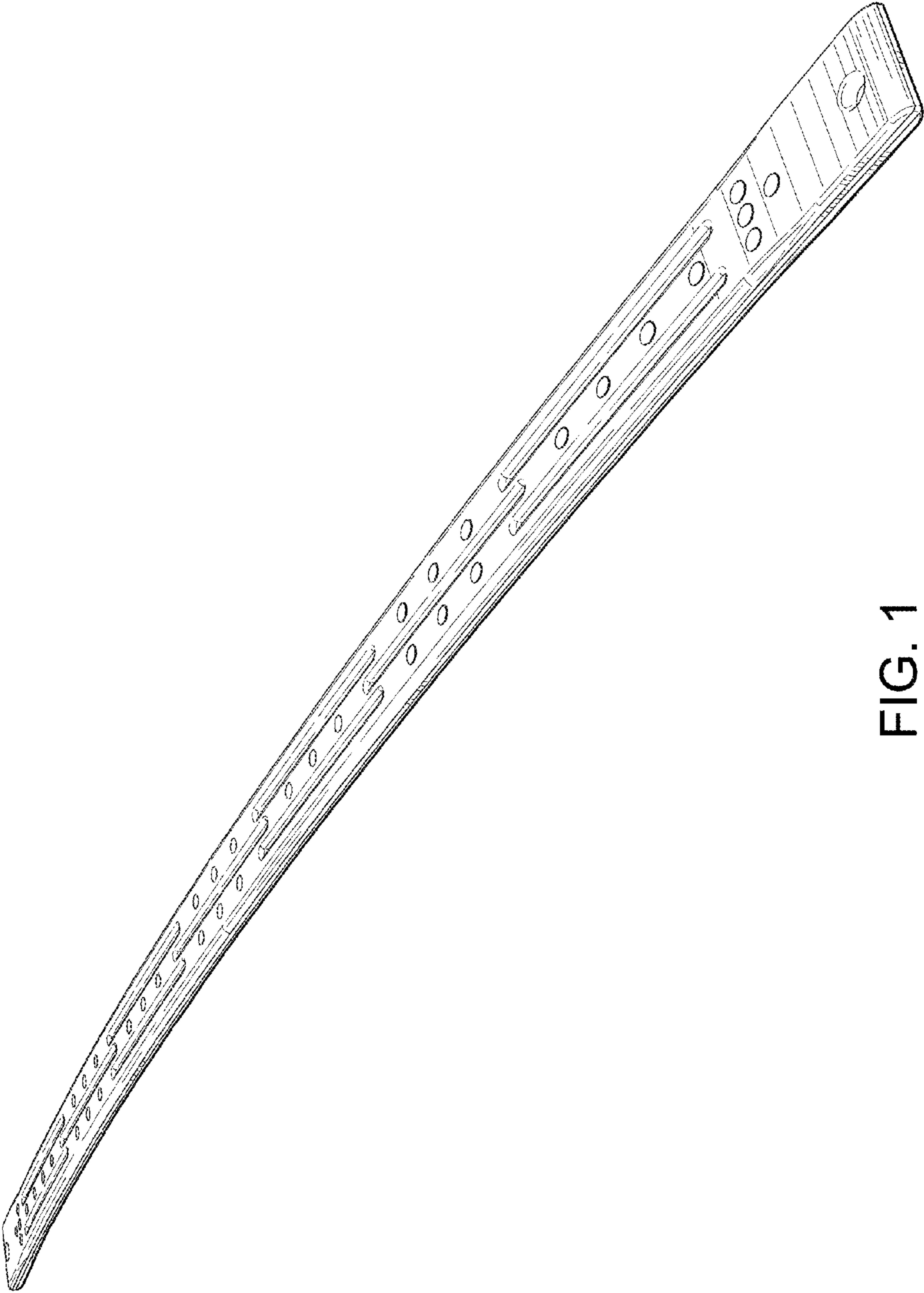


FIG. 1

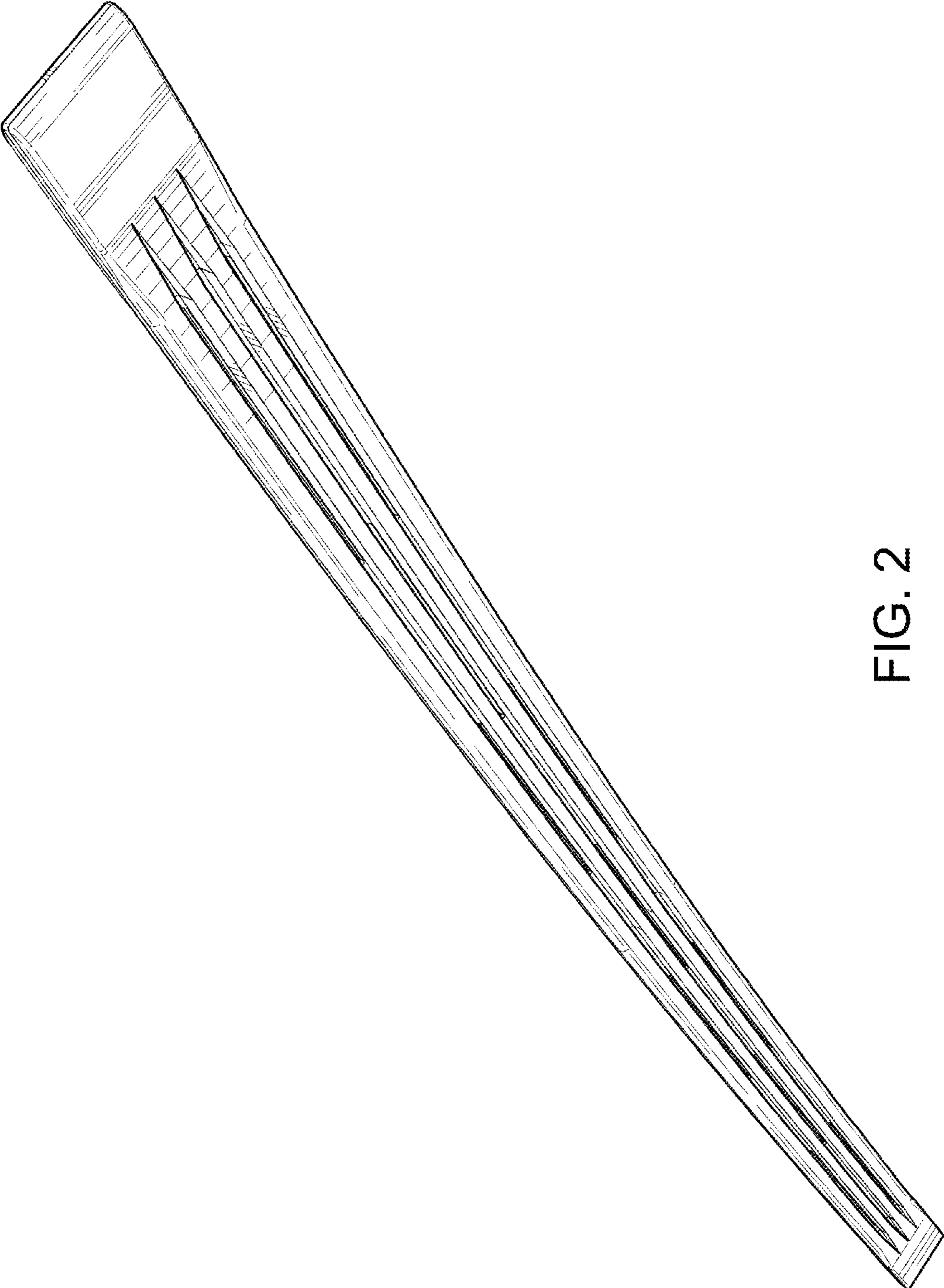


FIG. 2

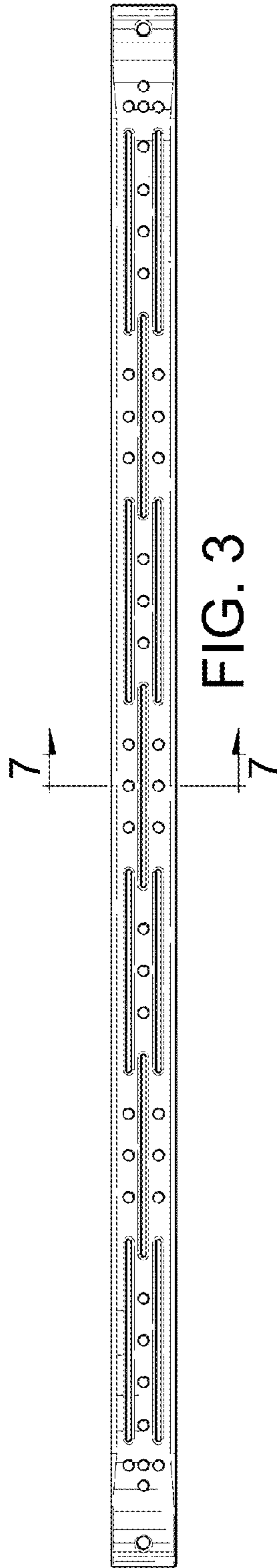


FIG. 4

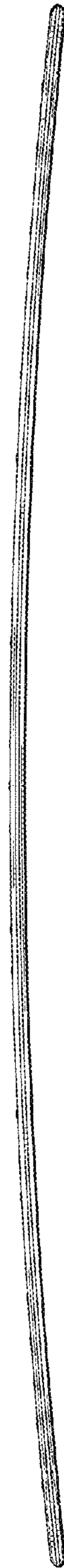


FIG. 5



FIG. 6

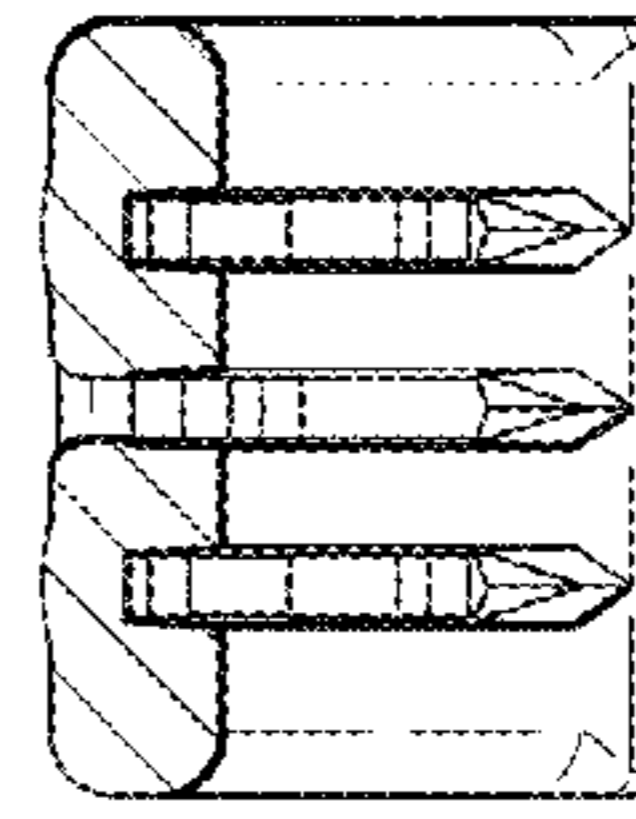


FIG. 7