

US00D690981S

(12) **United States Design Patent**
Lorenz

(10) **Patent No.:** **US D690,981 S**
(45) **Date of Patent:** **** Oct. 8, 2013**

(54) **BED SLAT**

(75) Inventor: **Thomas Lorenz**, Wallenhorst (DE)

(73) Assignee: **Thomas Lorenz**, Wallenhorst (DE)

(**) Term: **14 Years**

(21) Appl. No.: **29/424,604**

(22) Filed: **Jun. 13, 2012**

(30) **Foreign Application Priority Data**

Dec. 13, 2011 (EM) 001962176-0001

(51) **LOC (9) Cl.** **06-06**

(52) **U.S. Cl.**
USPC **D6/718**

(58) **Field of Classification Search**

USPC D6/382-384, 392-395, 702, 718,
D6/580; 5/53.1, 279.1, 280, 281, 907, 178,
5/236.1, 238, 239, 241; D25/164

See application file for complete search history.

(56) **References Cited**

U.S. PATENT DOCUMENTS

2,492,070	A *	12/1949	Stone et al.	5/238
5,815,860	A *	10/1998	Mitchell	5/236.1
5,926,872	A *	7/1999	Rossdeutscher	5/236.1
6,122,779	A *	9/2000	Meili et al.	5/236.1
D578,332	S *	10/2008	Chen	D6/577
2004/0107499	A1 *	6/2004	Verschuere et al.	5/236.1

* cited by examiner

Primary Examiner — Janice Seeger

(74) *Attorney, Agent, or Firm* — Patricia M. Mathers

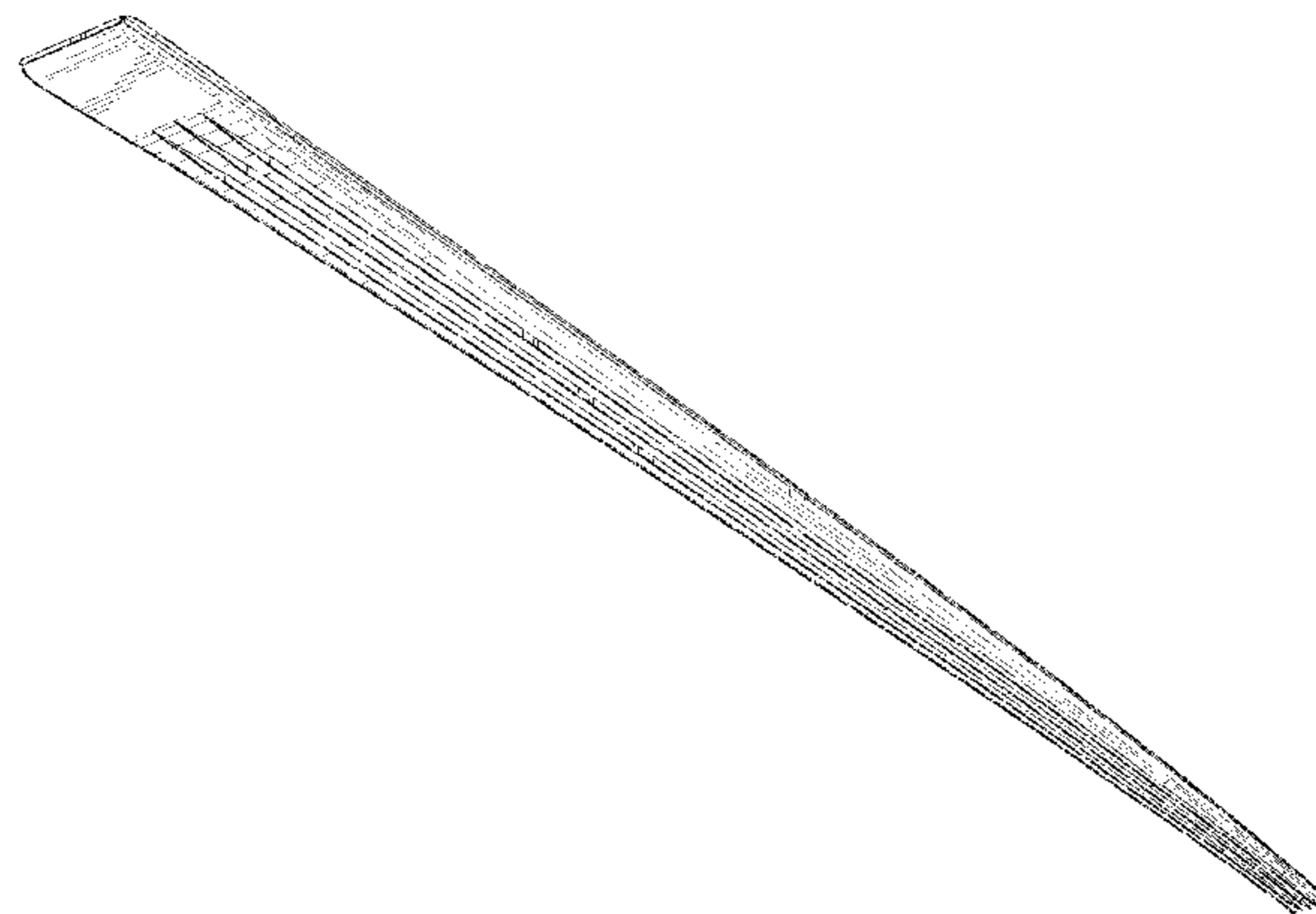
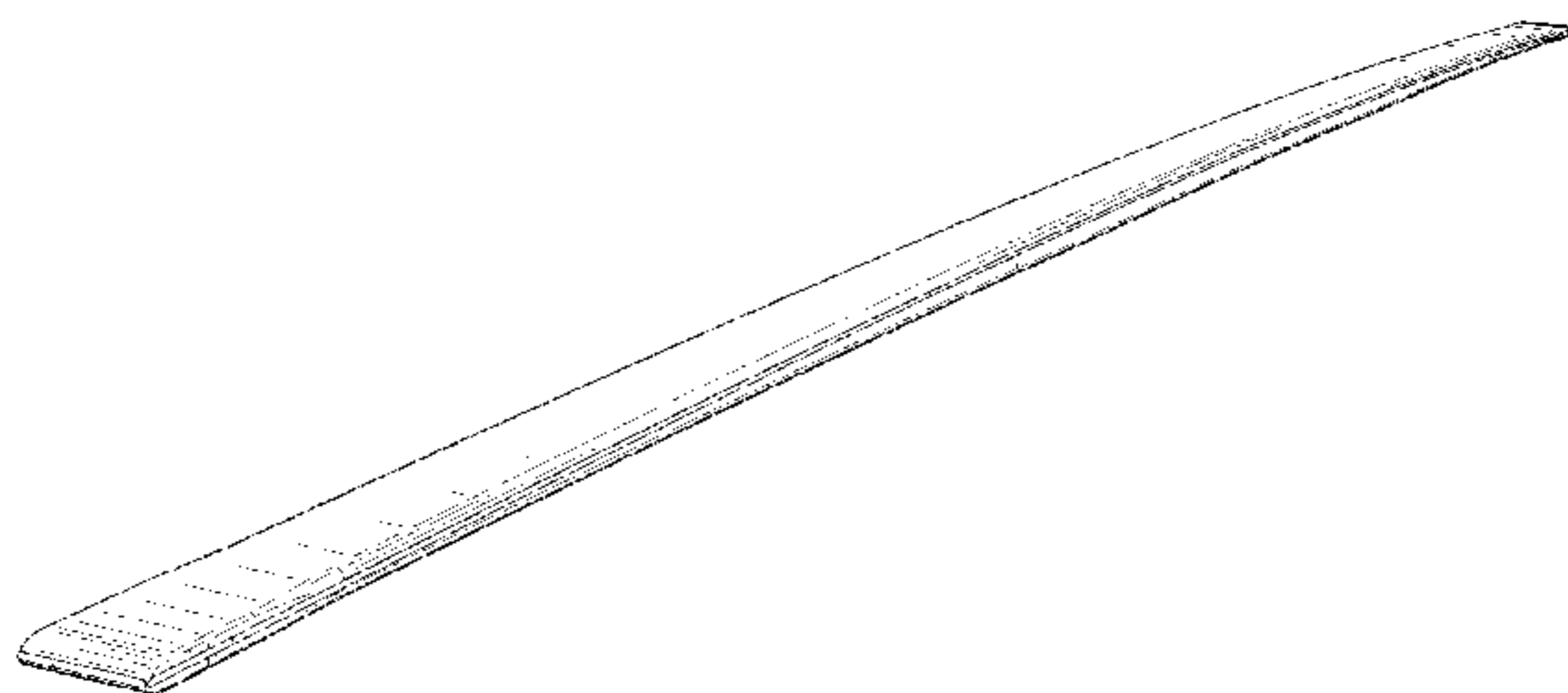
(57) **CLAIM**

The ornamental design for a bed slat, as shown and described.

DESCRIPTION

FIG. 1 is a perspective view of the bed slat.
FIG. 2 is a perspective view from below.
FIG. 3 is a top plan view.
FIG. 4 is a bottom plan view.
FIG. 5 is a side plan view, both sides being the same.
FIG. 6 is an end plan view, both ends being the same; and,
FIG. 7 is a cross-section through the center of the slat, as indicated in FIG. 3.

1 Claim, 3 Drawing Sheets



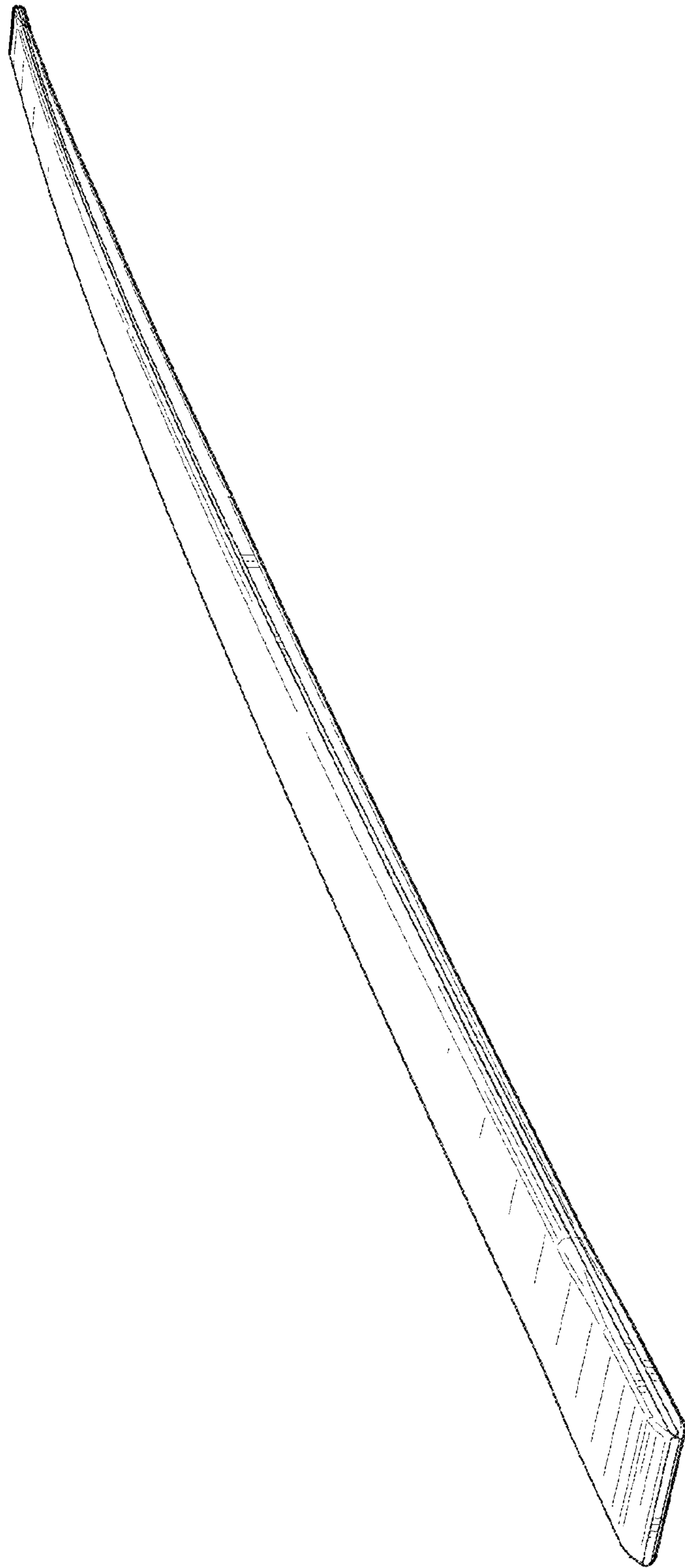


FIG. 1

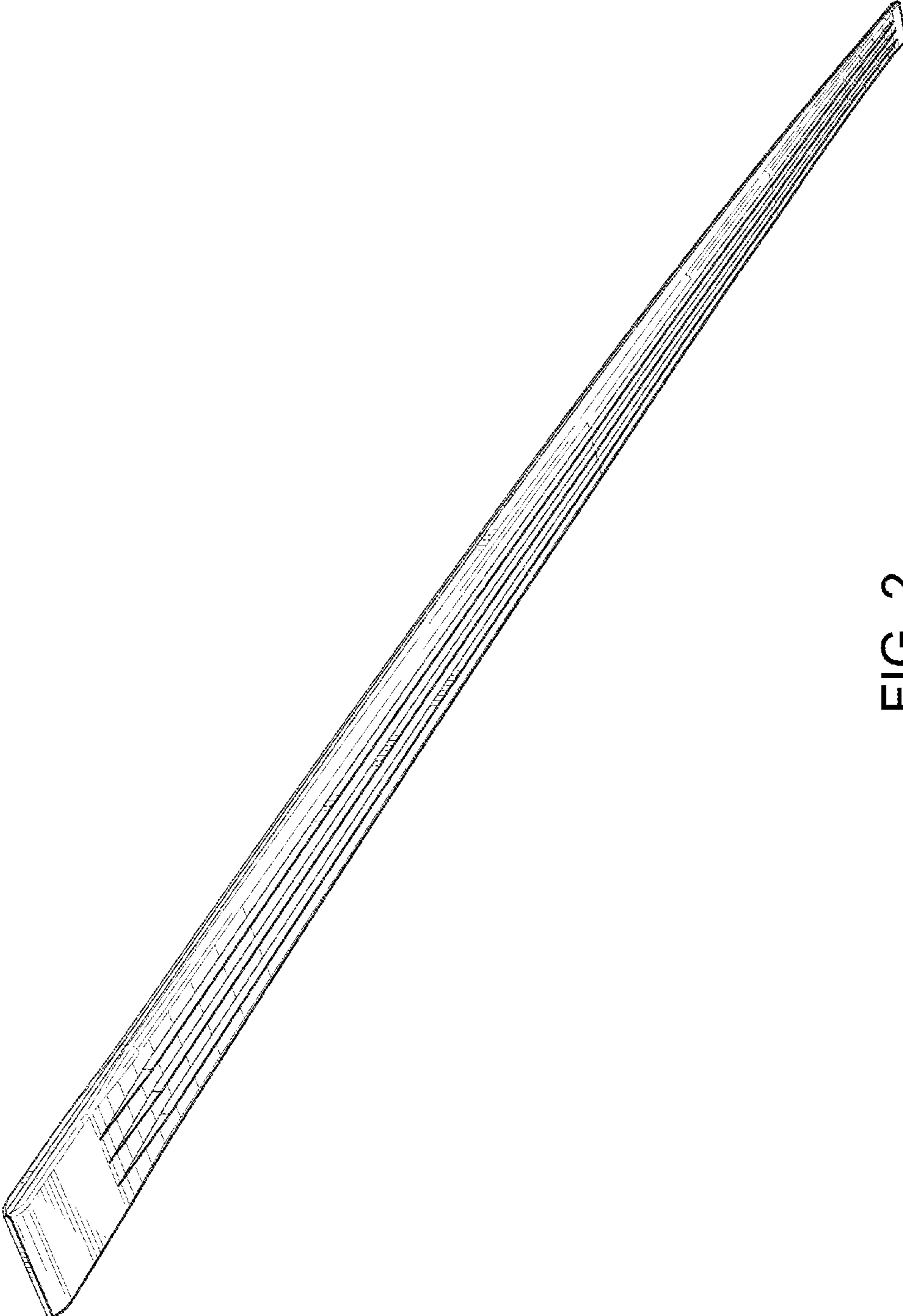


FIG. 2

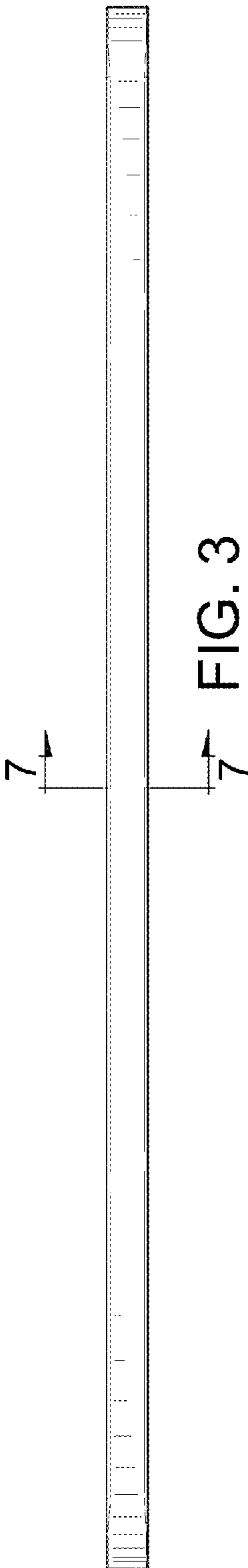


FIG. 4

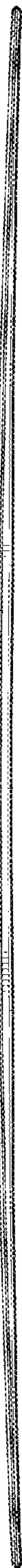


FIG. 5



FIG. 6

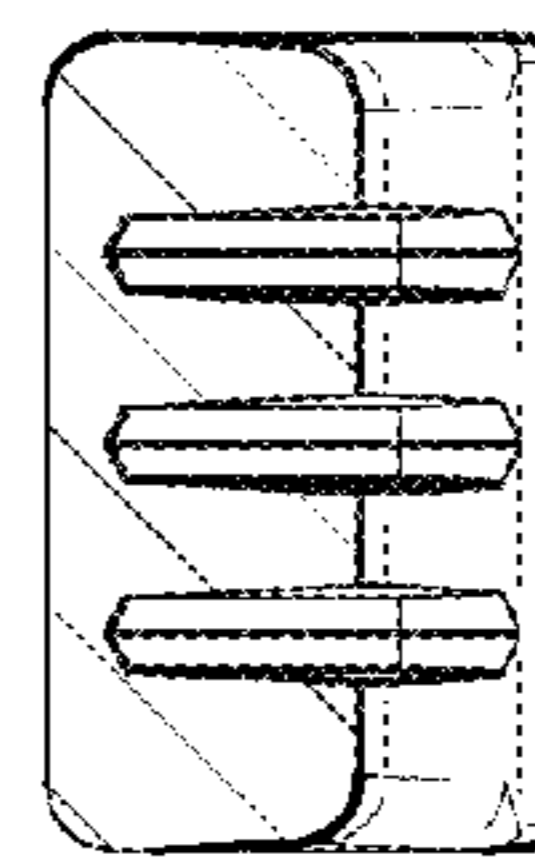


FIG. 7