



US00D690978S

(12) **United States Design Patent**  
**Skalka**

(10) **Patent No.:** **US D690,978 S**

(45) **Date of Patent:** **\*\* Oct. 8, 2013**

(54) **SEATING**

(71) Applicant: **Victor Stanley, Inc.**, Dunkirk, MD (US)

(72) Inventor: **Gerald P. Skalka**, Potomac, MD (US)

(73) Assignee: **Victor Stanley, Inc.**, Dunkirk, MD (US)

(\*\*) Term: **14 Years**

(21) Appl. No.: **29/447,575**

(22) Filed: **Mar. 5, 2013**

**Related U.S. Application Data**

(62) Division of application No. 29/397,524, filed on Jul. 18, 2011.

(51) **LOC (9) Cl.** ..... **06-01**

(52) **U.S. Cl.**  
USPC ..... **D6/716.1**

(58) **Field of Classification Search**  
USPC ..... D6/335-338, 357, 369, 716.1, 716.3,  
D6/716.4, 716.5; 297/135, 157.1, 158.2,  
297/158.3, 158.5, 174 R, 245  
See application file for complete search history.

(56) **References Cited**

**U.S. PATENT DOCUMENTS**

D206,498 S \* 12/1966 Benjamin ..... D9/524  
D272,302 S \* 1/1984 Connelly ..... D6/337

(Continued)

**OTHER PUBLICATIONS**

U.S. Appl. No. 29/397,523, filed Jul. 18, 2011, Gerald P. Skalka.

(Continued)

*Primary Examiner* — Sandra Snapp

(74) *Attorney, Agent, or Firm* — Westerman, Hattori, Daniels & Adrian, LLP

(57) **CLAIM**

The ornamental design for a seating, as shown and described.

**DESCRIPTION**

FIG. 1 is an isometric view of a seating showing a first embodiment of my new design.

FIG. 2 is a left side elevational view of the seating of FIG. 1, the right side elevational, front elevational, and back elevational views being identical thereto.

FIG. 3 is a top plan view of the seating of FIG. 1.

FIG. 4 is a bottom plan view of the seating of FIG. 1.

FIG. 5 is a side elevational view rotated approximately 45 degrees from the side elevational view of FIG. 2.

FIG. 6 is an isometric view of a seating showing a second embodiment of my new design.

FIG. 7 is a left side elevational view of the seating of FIG. 6, the right side elevational, front elevational, and back elevational views being identical thereto.

FIG. 8 is a top plan view of the seating of FIG. 6.

FIG. 9 is a bottom plan view of the seating of FIG. 6.

FIG. 10 is a side elevational view rotated approximately 45 degrees from the side elevational view of FIG. 7.

FIG. 11 is an isometric view of a seating showing a third embodiment of my new design.

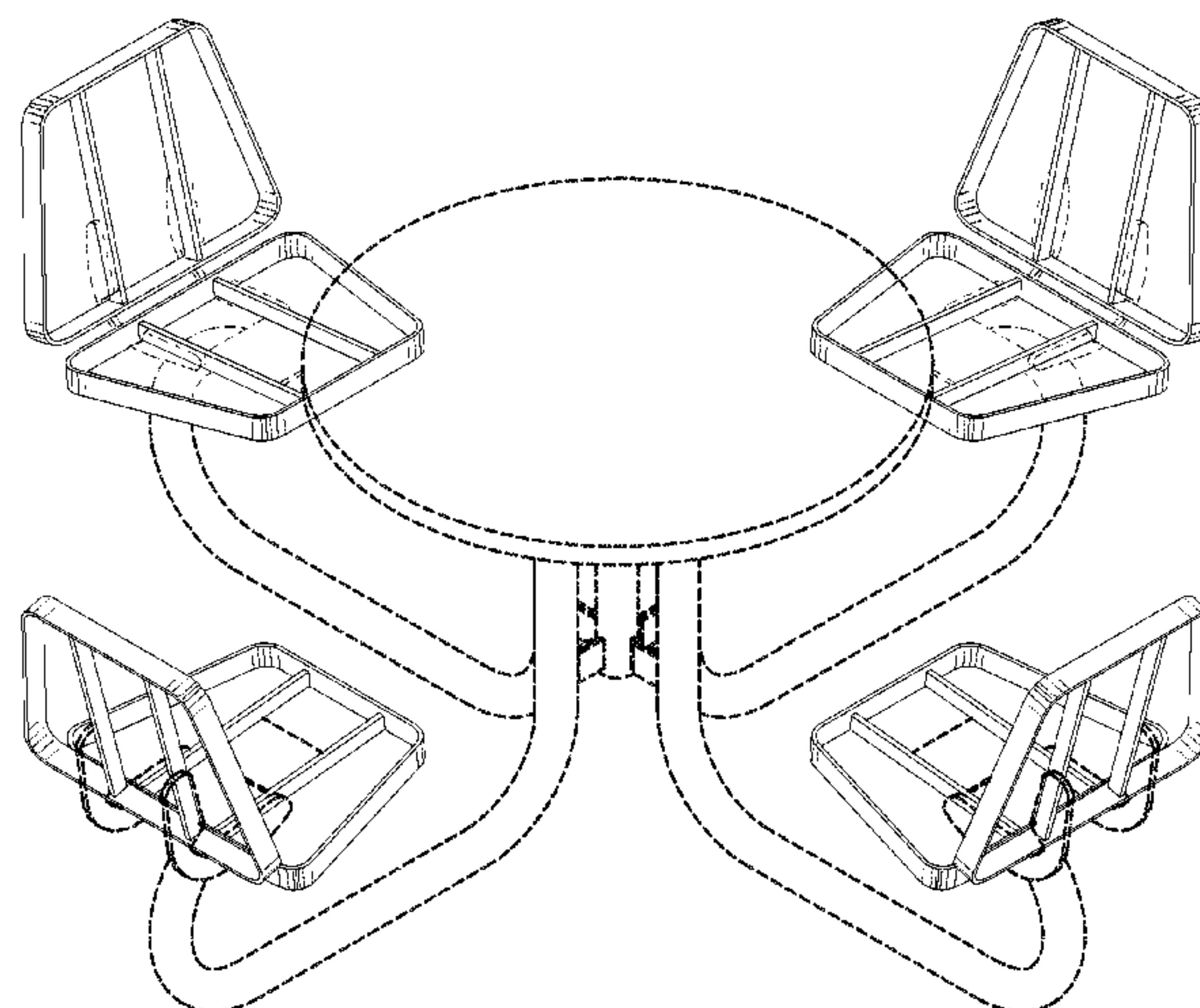
FIG. 12 is a left side elevational view of the seating of FIG. 11, the right side elevational, front elevational, and back elevational views being identical thereto.

FIG. 13 is a top plan view of the seating of FIG. 11.

FIG. 14 is a bottom plan view of the seating of FIG. 11; and, FIG. 15 is a side elevational view rotated approximately 45 degrees from the side elevational view of FIG. 12.

The broken line showing of a table and legs joining the seats to the table in FIGS. 1-15, and the broken line showing of brackets joining the seat back to the seat bottom in FIGS. 1-15 are included for the purpose of illustrating use and environment and form no part of the claimed design.

**1 Claim, 9 Drawing Sheets**



(56)

**References Cited**

U.S. PATENT DOCUMENTS

D279,433 S \* 7/1985 Fuchs ..... D6/337  
D313,128 S 12/1990 Serafini  
D323,074 S \* 1/1992 Michel ..... D6/337  
5,720,512 A \* 2/1998 Hostetler ..... 297/158.5  
D413,734 S 9/1999 Bue  
D448,938 S 10/2001 Ng et al.  
D478,427 S \* 8/2003 Ford et al. .... D6/337  
D478,732 S 8/2003 Pajerski et al.  
D479,406 S 9/2003 Pajerski et al.  
D479,773 S 9/2003 Pajerski et al.  
D604,520 S 11/2009 Wegman

D604,521 S 11/2009 Wegman  
D604,522 S 11/2009 Wegman  
D604,523 S 11/2009 Wegman  
D621,629 S 8/2010 Weimer et al.

OTHER PUBLICATIONS

U.S. Appl. No. 29/397,507, filed Jul. 18, 2011, Gerald P. Skalka.  
Victor Stanley, Inc. Steelsites(TM) Series RND-363 Table (2010).  
Victor Stanley, Inc. Steelsites(TM) Series CRPR-4 Table (2010).  
Victor Stanley, Inc. Steelsites(TM) Series Benches and Seating Brochure (2010).  
Victor Stanley, Inc. Streetsites(TM) Series Brochure (2010).

\* cited by examiner

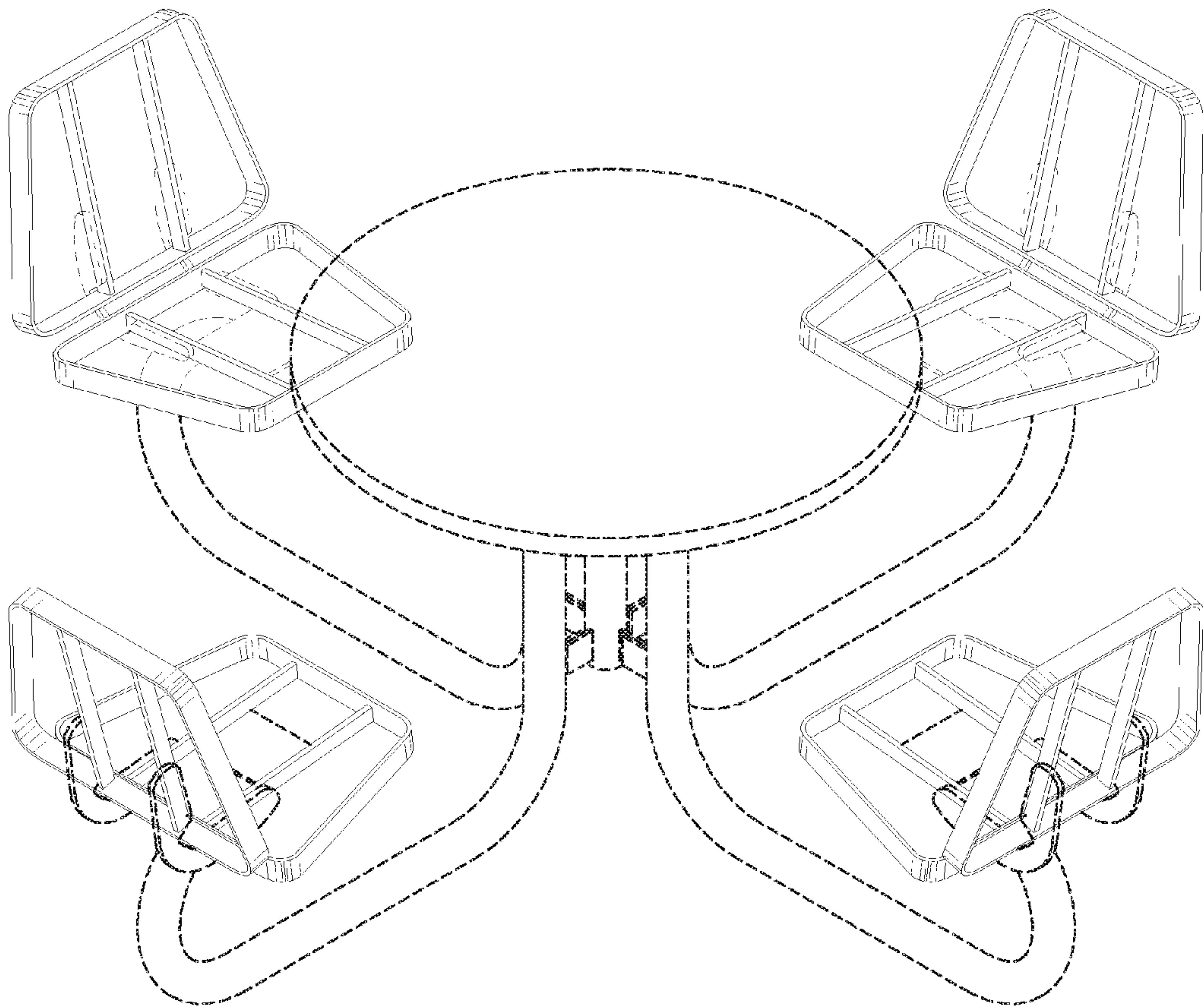


FIG. 1

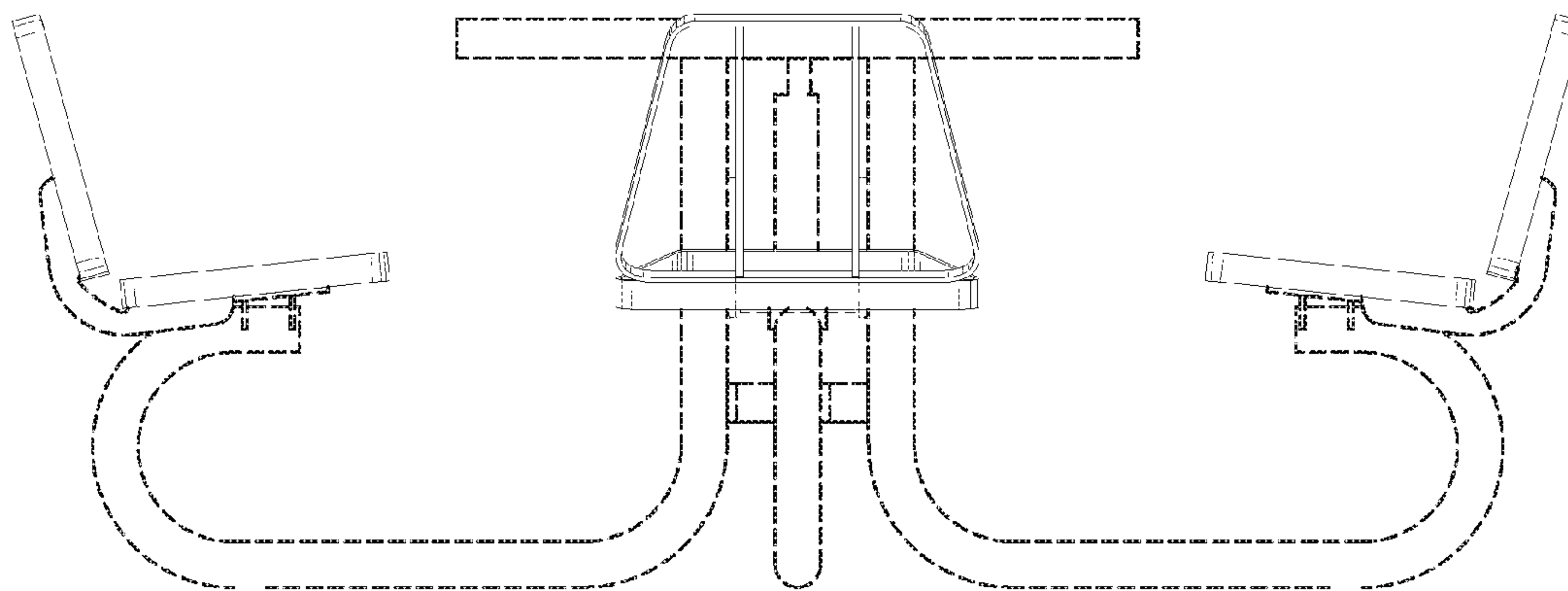


FIG. 2

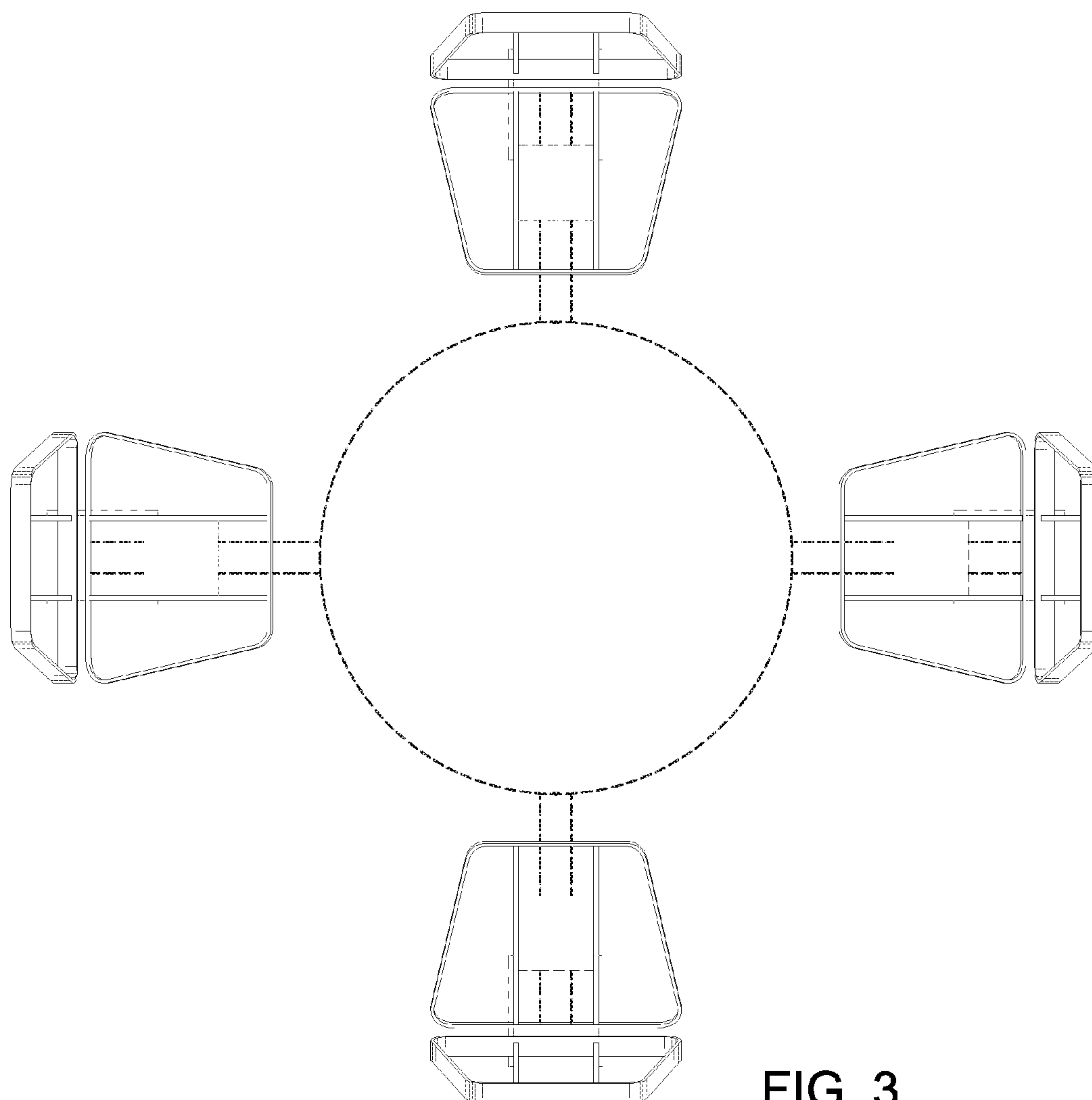
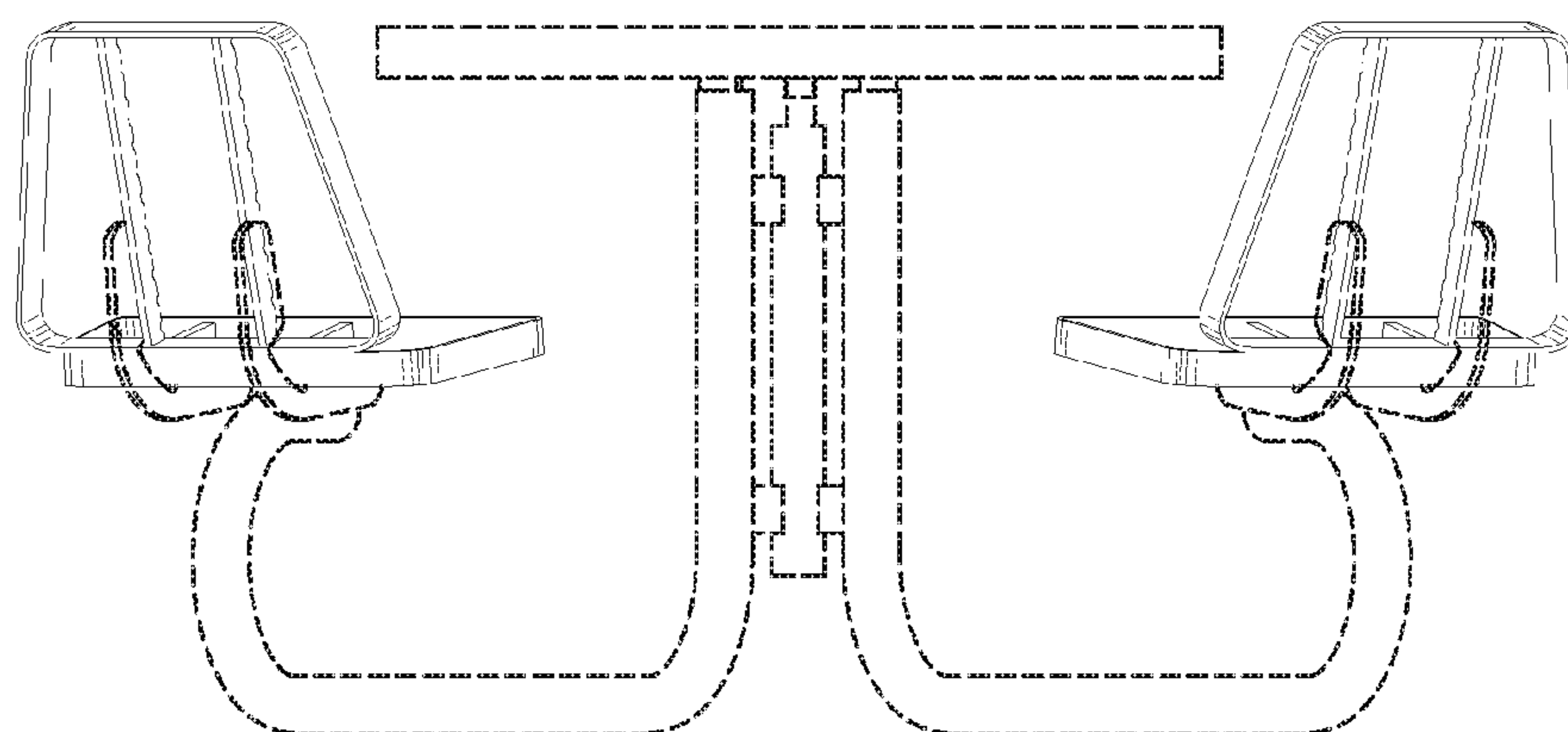
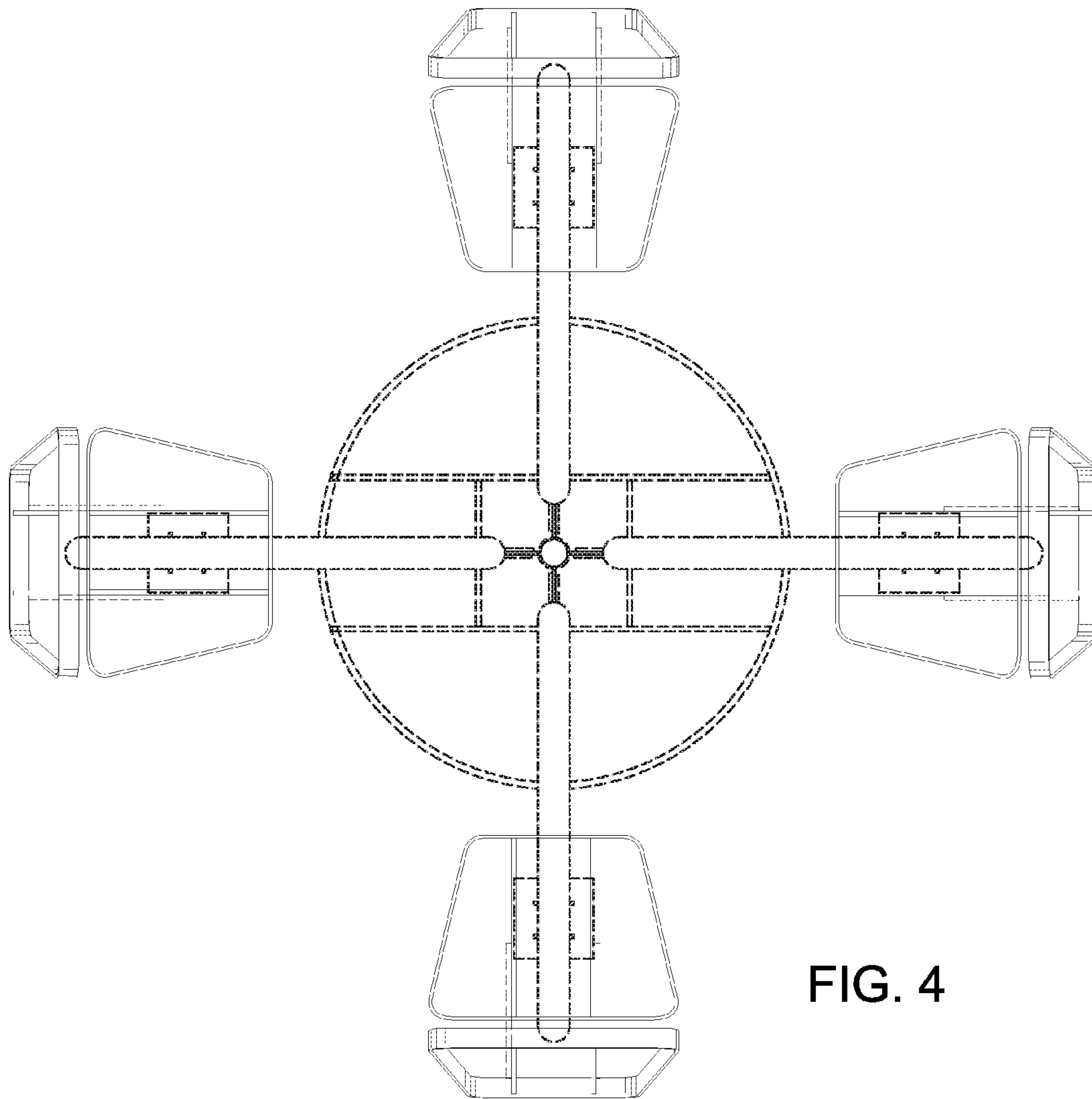


FIG. 3





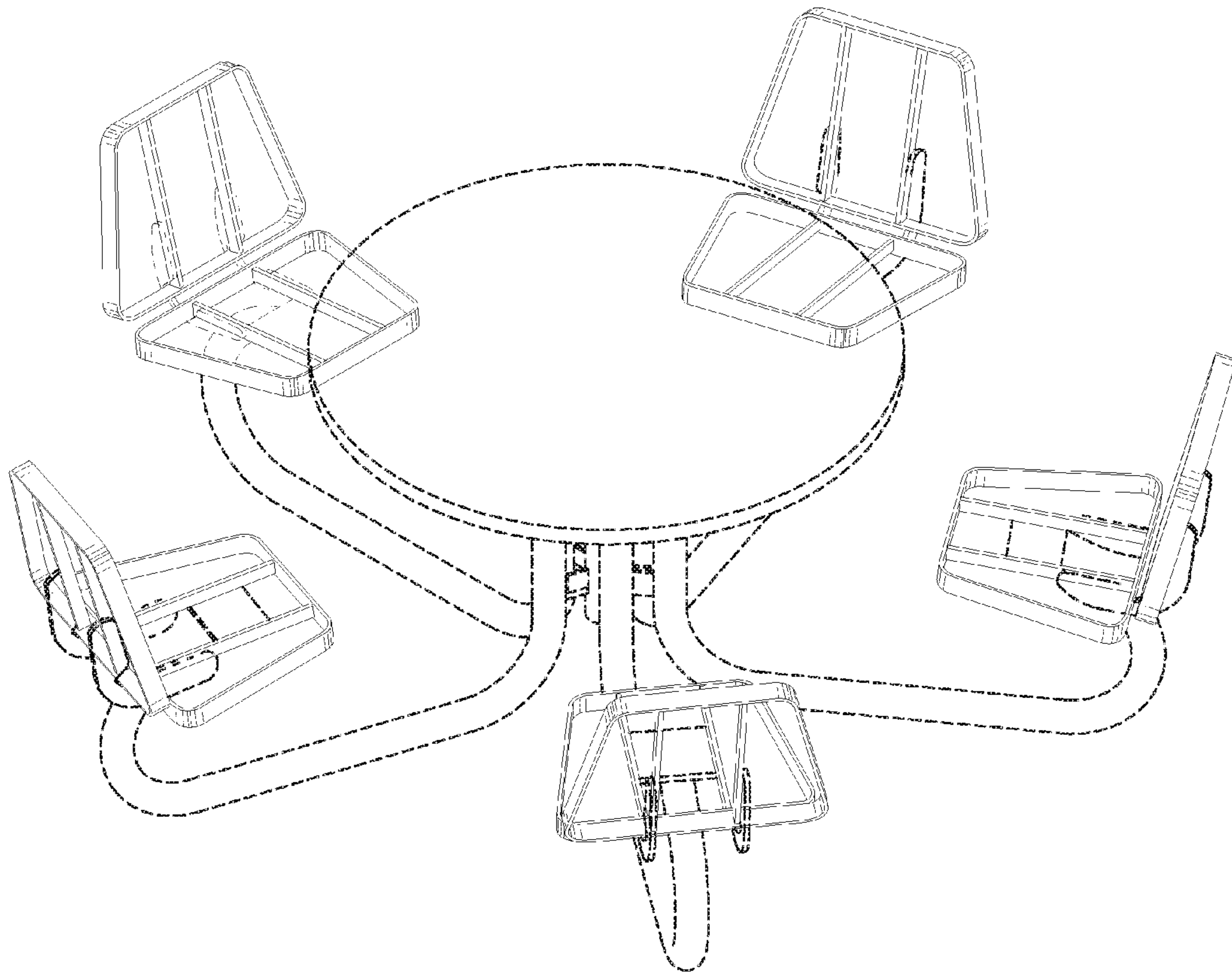


FIG. 6

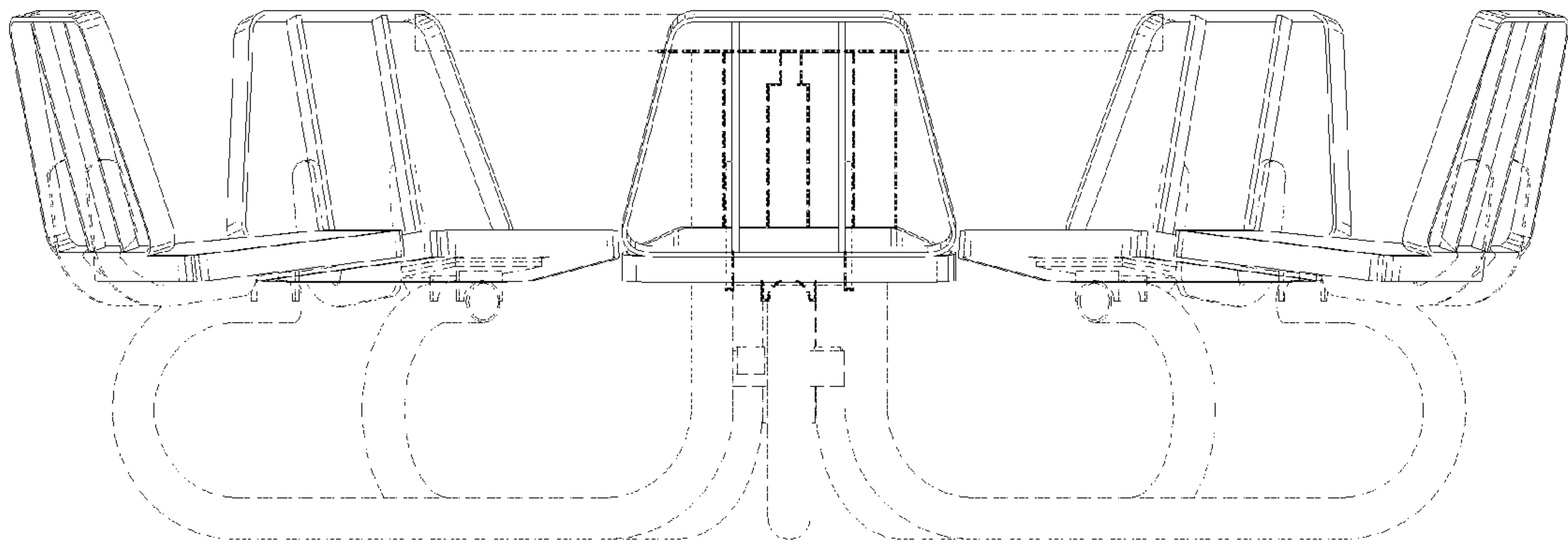


FIG. 7

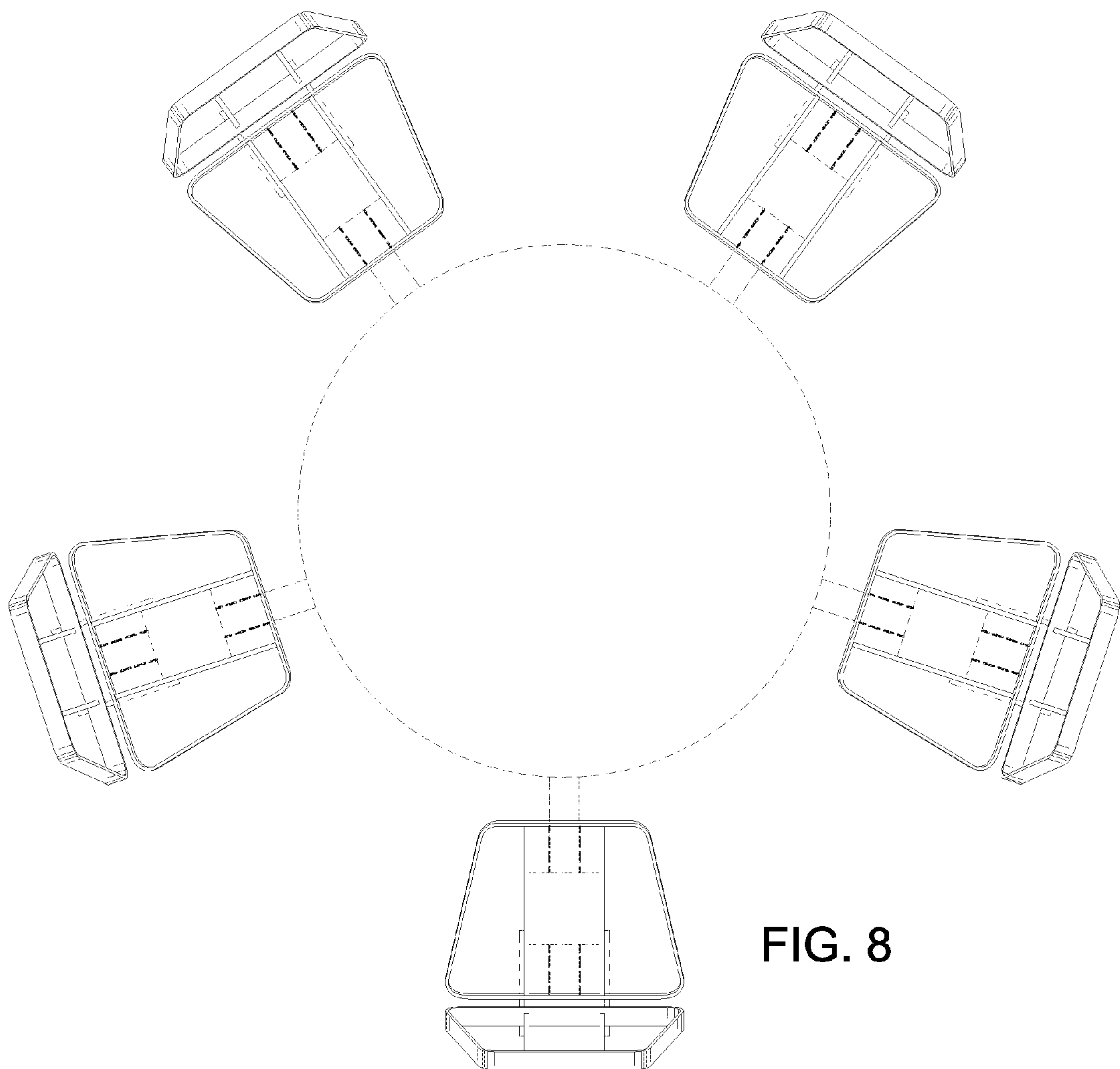


FIG. 8

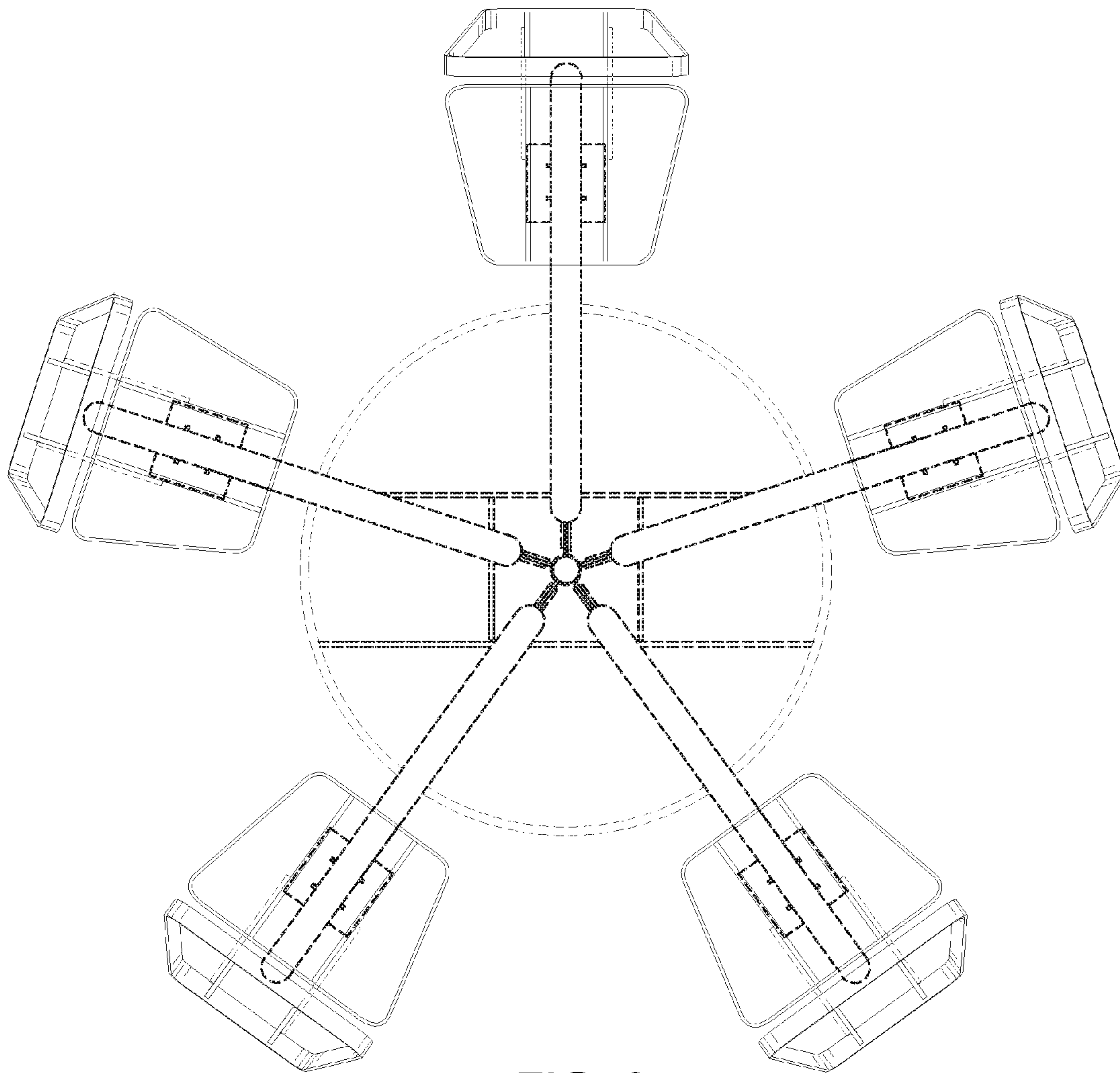


FIG. 9

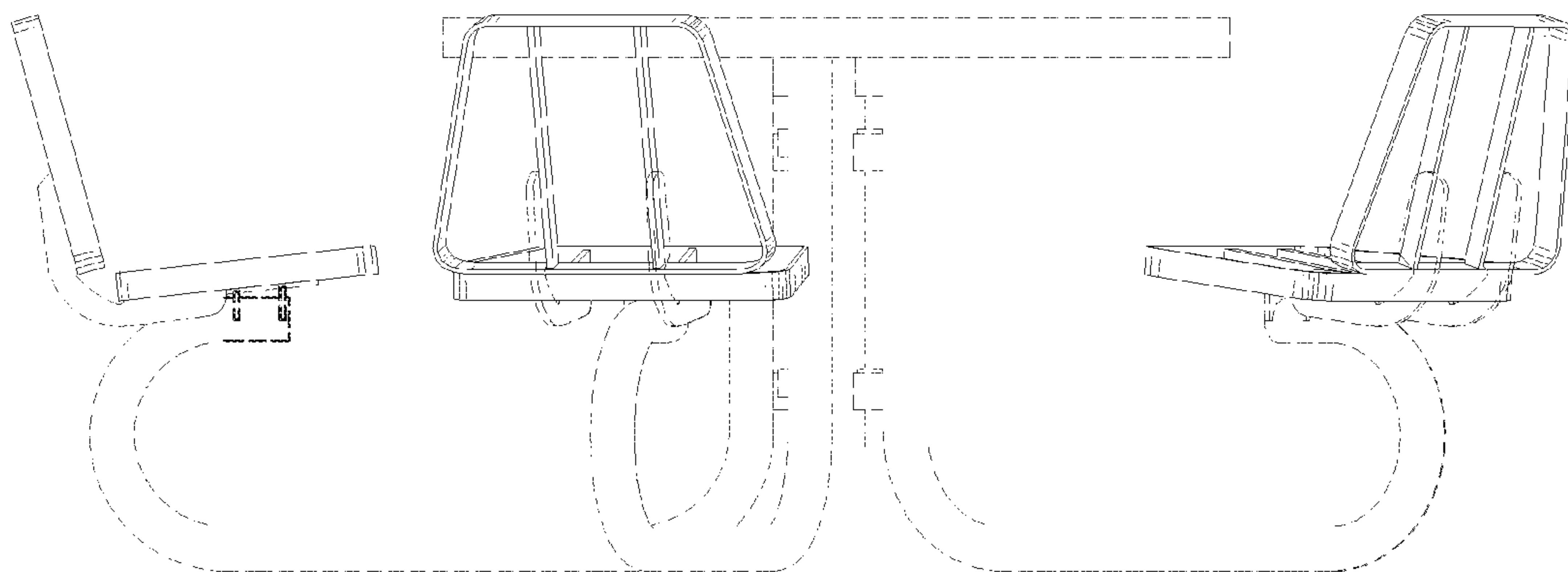


FIG. 10



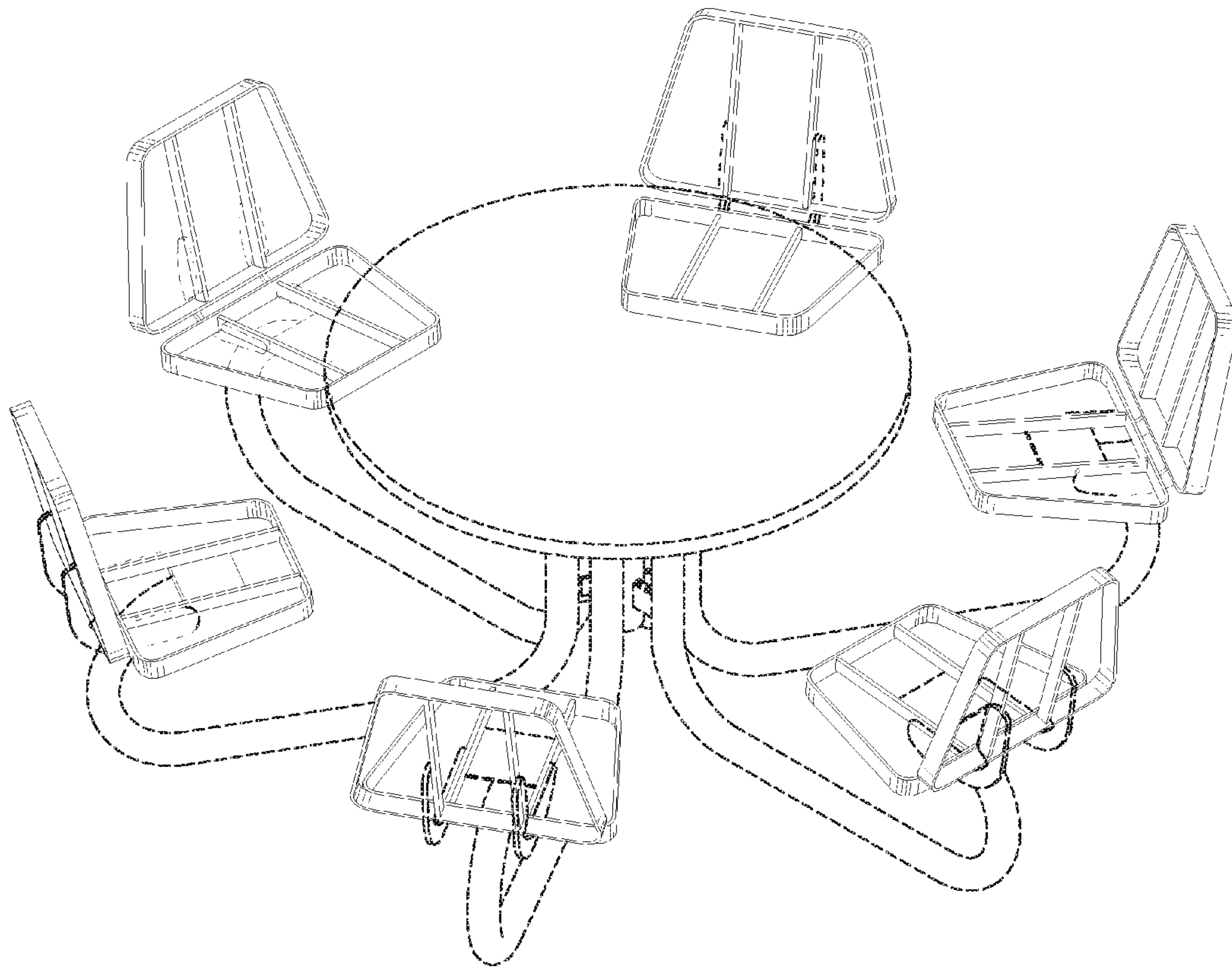


FIG. 11

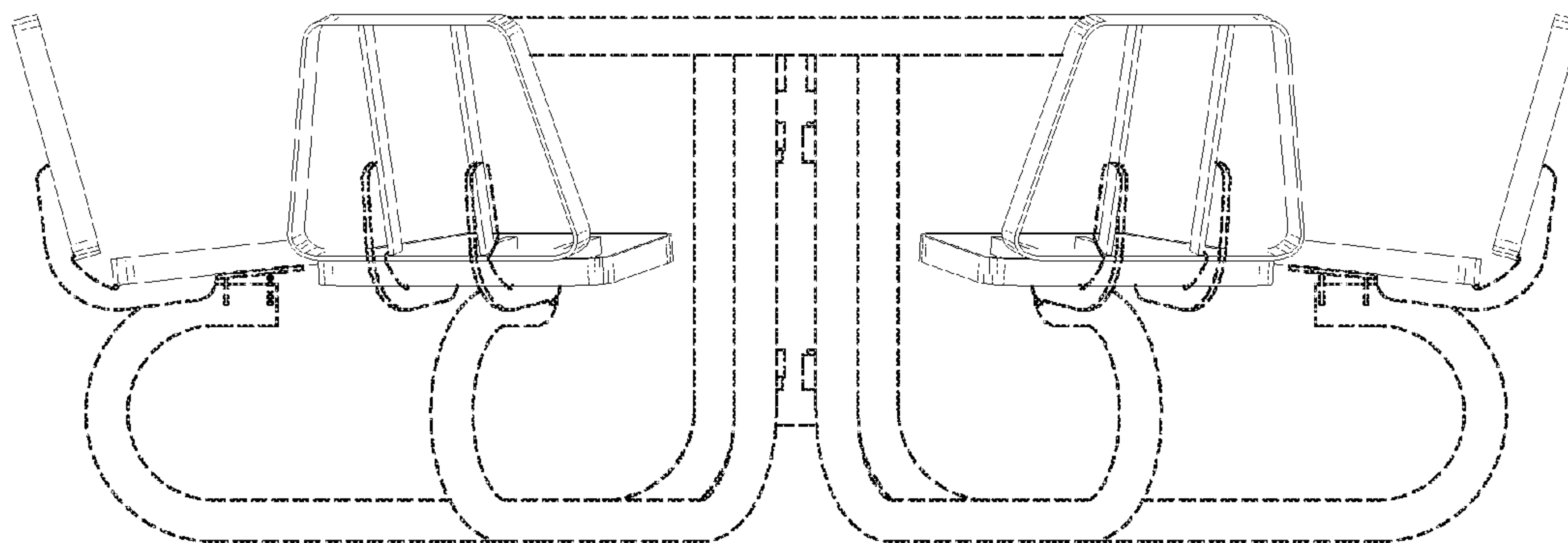


FIG. 12

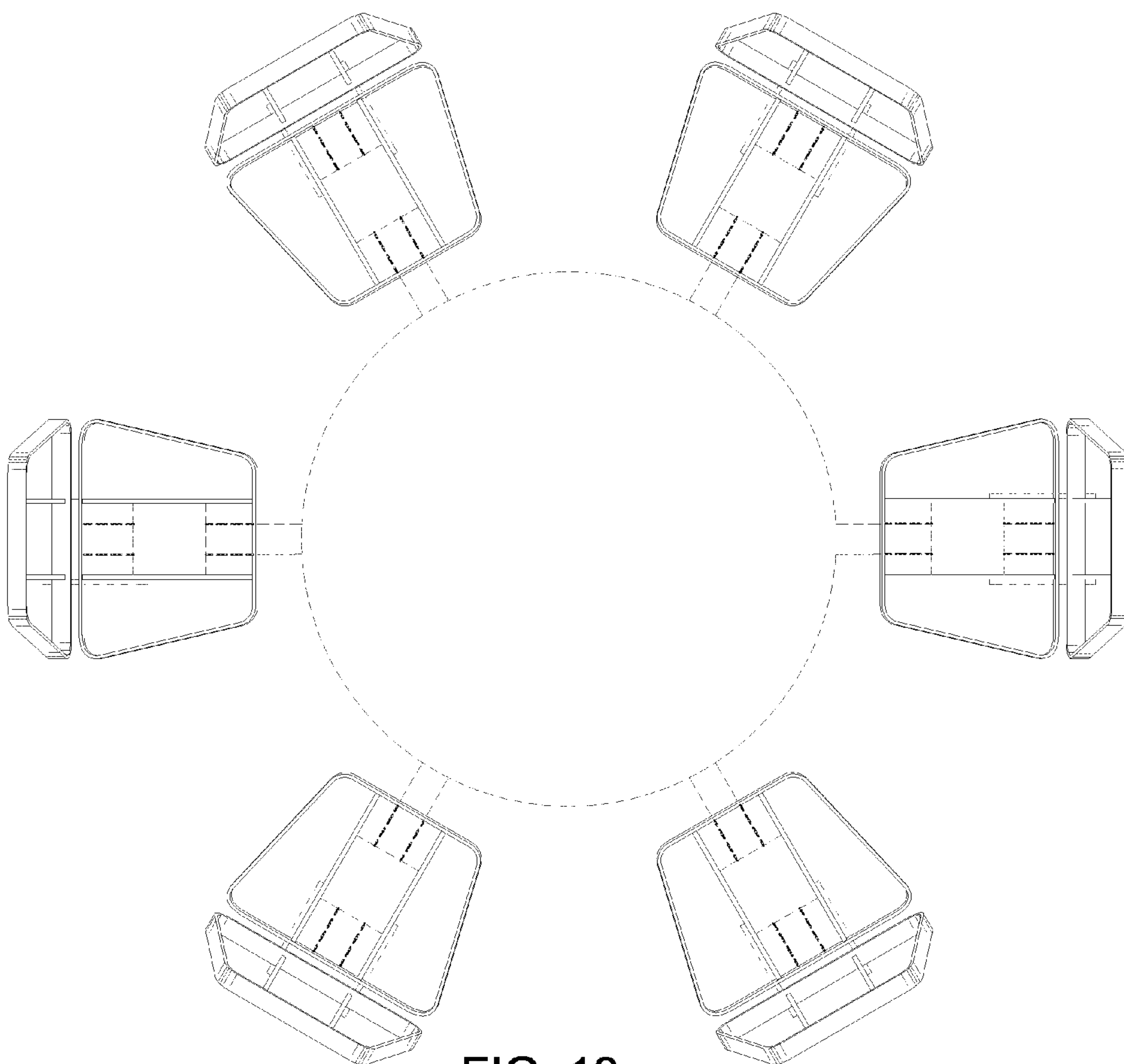


FIG. 13

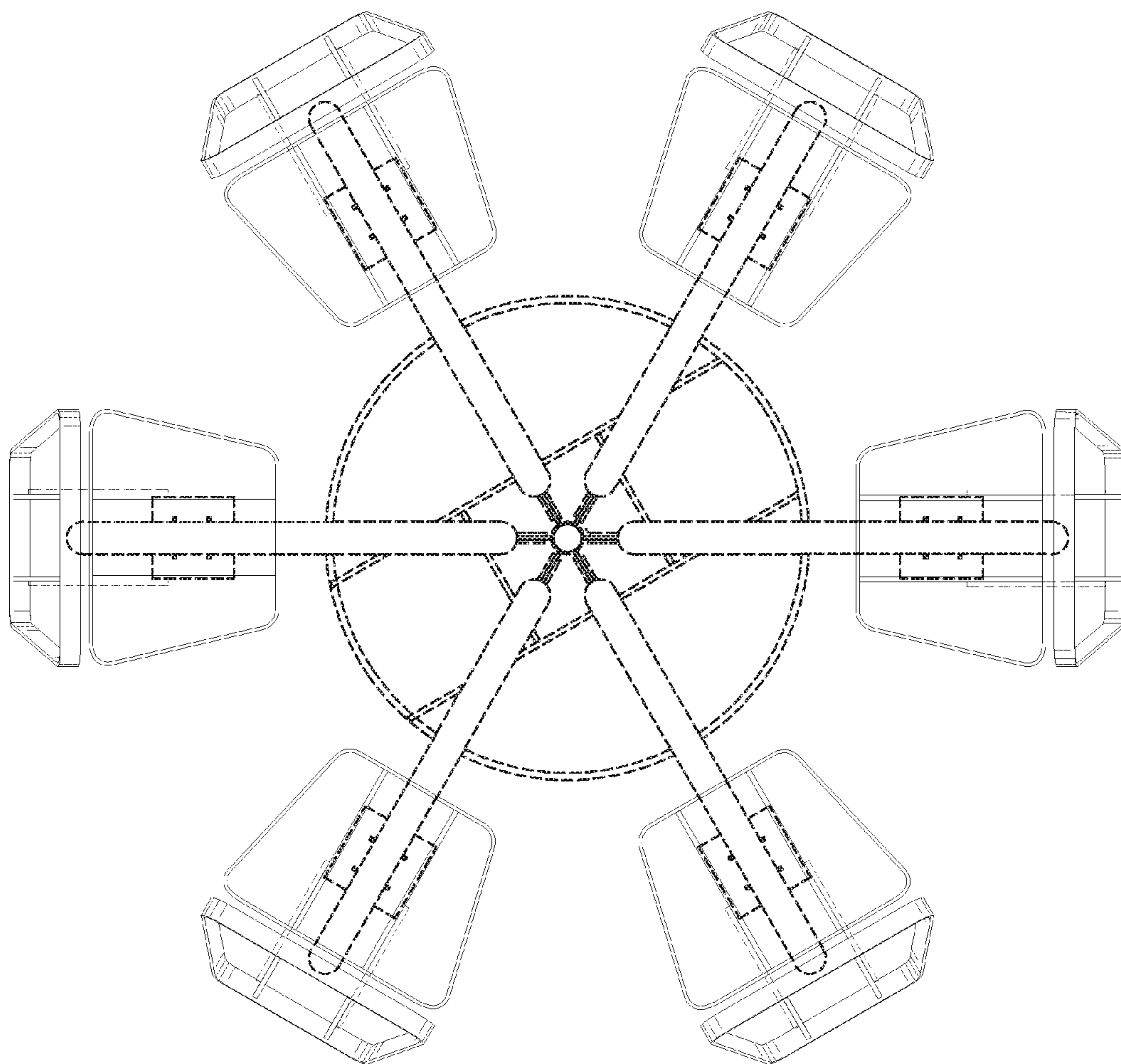


FIG. 14

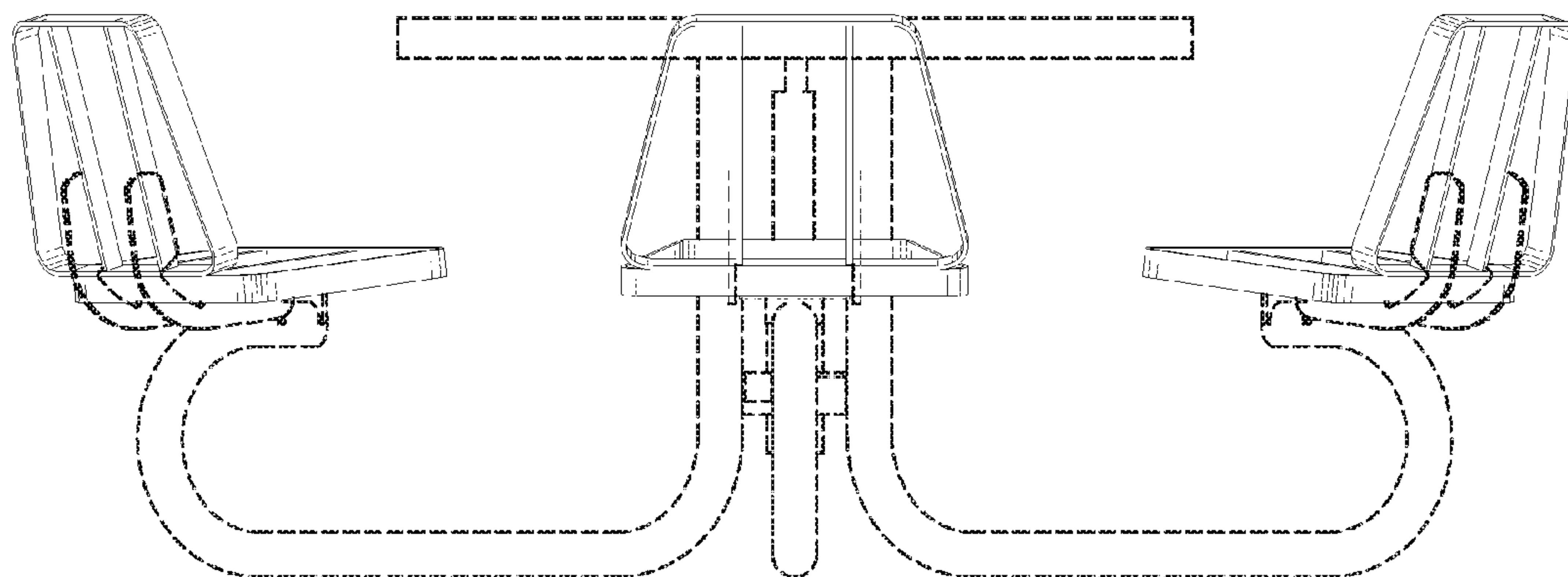


FIG. 15