



US00D690977S

(12) **United States Design Patent**
Skalka

(10) **Patent No.:** **US D690,977 S**

(45) **Date of Patent:** **** Oct. 8, 2013**

(54) **SEATING**

(71) Applicant: **Victor Stanley, Inc.**, Dunkirk, MD (US)

(72) Inventor: **Gerald P. Skalka**, Potomac, MD (US)

(73) Assignee: **Victor Stanley, Inc.**, Dunkirk, MD (US)

(**) Term: **14 Years**

(21) Appl. No.: **29/447,569**

(22) Filed: **Mar. 5, 2013**

Related U.S. Application Data

(62) Division of application No. 29/397,524, filed on Jul. 18, 2011.

(51) **LOC (9) Cl.** **06-01**

(52) **U.S. Cl.**
USPC **D6/716.1**

(58) **Field of Classification Search**
USPC D6/335-338, 357, 369, 716.1, 716.3,
D6/716.4, 716.5; 297/135, 157.1, 158.2,
297/158.3, 158.5, 174 R, 245
See application file for complete search history.

(56) **References Cited**

U.S. PATENT DOCUMENTS

D206,498 S * 12/1966 Burton D9/524
D272,302 S * 1/1984 Connelly D6/337

(Continued)

OTHER PUBLICATIONS

U.S. Appl. No. 29/397,523, filed Jul. 18, 2011, Gerald P. Skalka.

(Continued)

Primary Examiner — Sandra Snapp

(74) *Attorney, Agent, or Firm* — Westerman, Hattori, Daniels & Adrian, LLP

(57) **CLAIM**

The ornamental design for a seating, as shown and described.

DESCRIPTION

FIG. 1 is an isometric view of a seating showing a first embodiment of my new design.

FIG. 2 is a left side elevational view of the seating of FIG. 1, the right side elevational, front elevational, and back elevational views being identical thereto.

FIG. 3 is a top plan view of the seating of FIG. 1.

FIG. 4 is a bottom plan view of the seating of FIG. 1.

FIG. 5 is a side elevational view rotated approximately 45 degrees from the side elevational view of FIG. 2.

FIG. 6 is an isometric view of a seating showing a second embodiment of my new design.

FIG. 7 is a left side elevational view of the seating of FIG. 6, the right side elevational, front elevational, and back elevational views being identical thereto.

FIG. 8 is a top plan view of the seating of FIG. 6.

FIG. 9 is a bottom plan view of the seating of FIG. 6.

FIG. 10 is a side elevational view rotated approximately 45 degrees from the side elevational view of FIG. 7.

FIG. 11 is an isometric view of a seating showing a third embodiment of my new design.

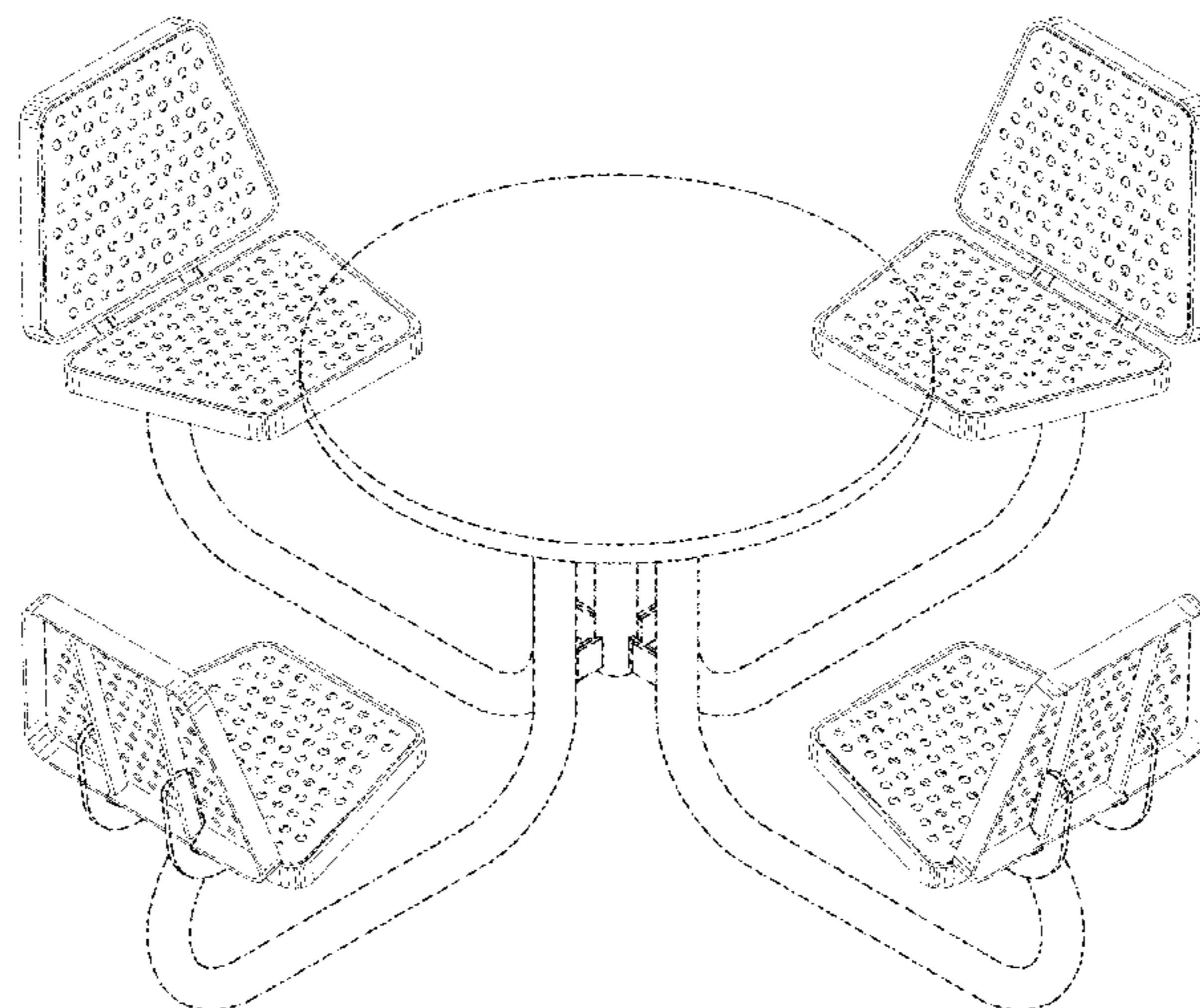
FIG. 12 is a left side elevational view of the seating of FIG. 11, the right side elevational, front elevational, and back elevational views being identical thereto.

FIG. 13 is a top plan view of the seating of FIG. 11.

FIG. 14 is a bottom plan view of the seating of FIG. 11; and, FIG. 15 is a side elevational view rotated approximately 45 degrees from the side elevational view of FIG. 12.

The broken line showing of a table and legs joining the seats to the table in FIGS. 1-15, and the broken line showing of brackets joining the seat back to the seat bottom in FIGS. 1-15 are included for the purpose of illustrating use and environment and form no part of the claimed design.

1 Claim, 9 Drawing Sheets



(56)

References Cited

U.S. PATENT DOCUMENTS

D279,433 S * 7/1985 Fuchs D6/337
D313,128 S 12/1990 Serafini
D323,074 S * 1/1992 Michel D6/337
5,720,512 A * 2/1998 Hostetler 297/158.5
D413,734 S 9/1999 Bue
D448,938 S 10/2001 Ng et al.
D478,427 S * 8/2003 Ford et al. D6/337
D478,732 S 8/2003 Pajerski et al.
D479,406 S 9/2003 Pajerski et al.
D479,773 S 9/2003 Pajerski et al.
D604,520 S 11/2009 Wegman

D604,521 S 11/2009 Wegman
D604,522 S 11/2009 Wegman
D604,523 S 11/2009 Wegman
D621,629 S 8/2010 Weimer et al.

OTHER PUBLICATIONS

U.S. Appl. No. 29/397,507, filed Jul. 18, 2011, Gerald P. Skalka.
Victor Stanley, Inc. Steelsites^(TM) Series RND-363 Table (2010).
Victor Stanley, Inc. Steelsites^(TM) Series CRPR-4 Table (2010).
Victor Stanley, Inc. Steelsites^(TM) Series Benches and Seating Brochure (2010).
Victor Stanley, Inc. Streetsites^(TM) Series Brochure (2010).

* cited by examiner

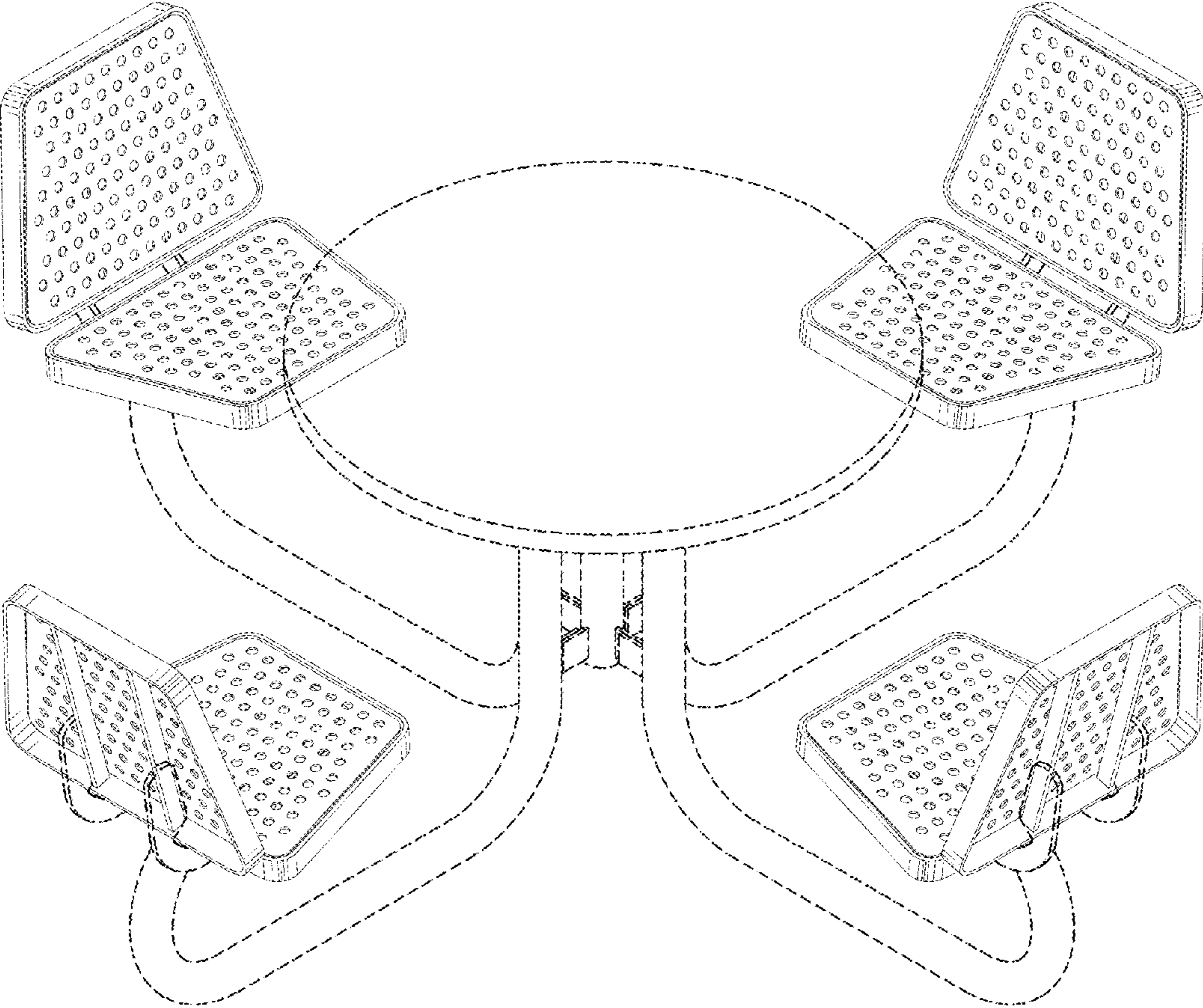


FIG. 1

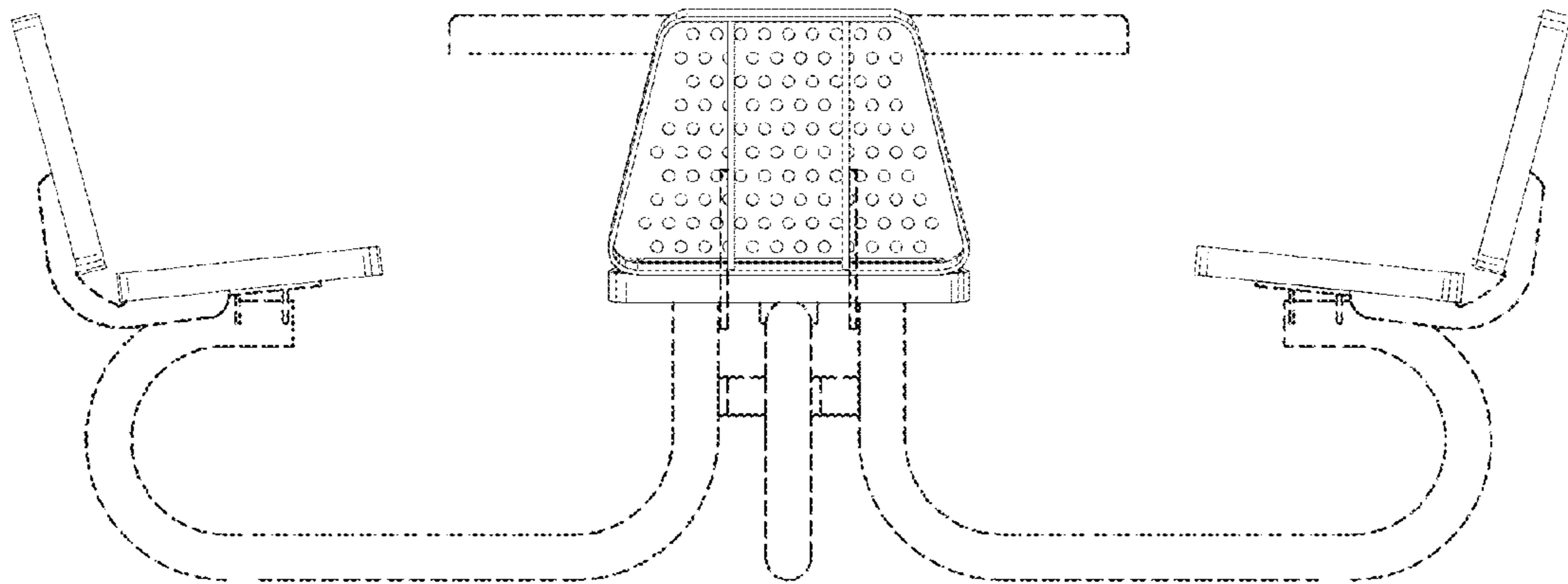


FIG. 2

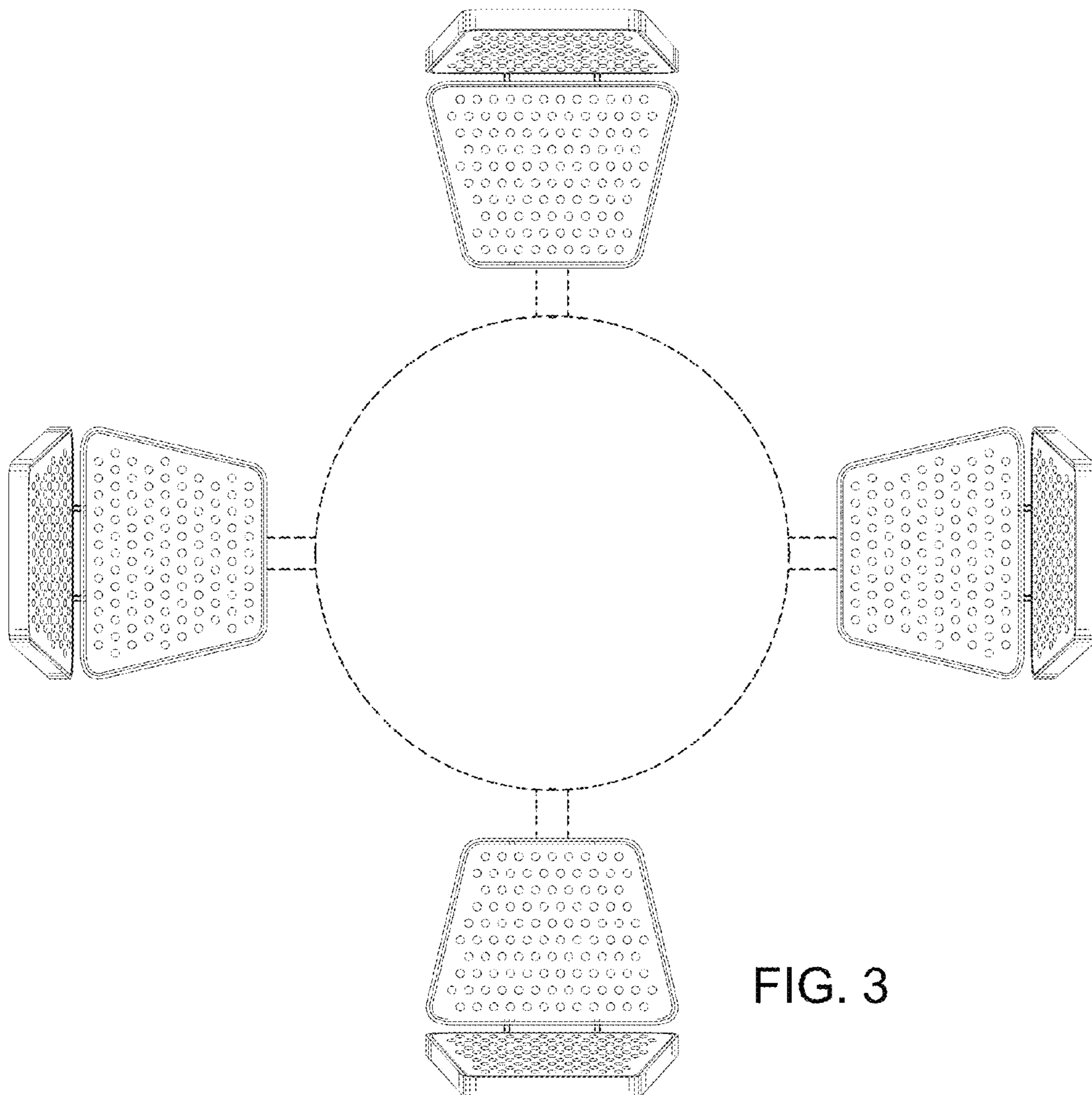


FIG. 3

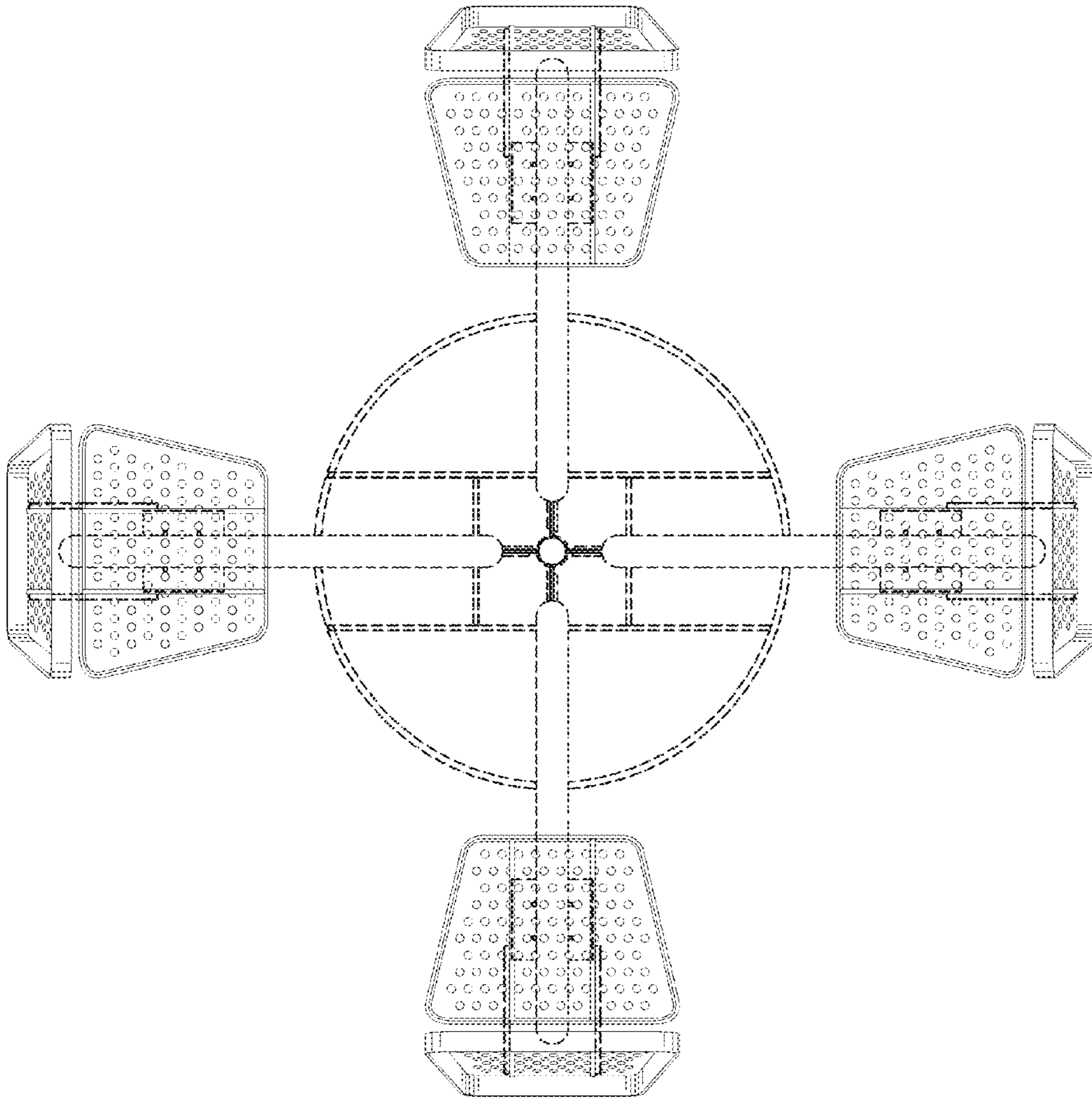


FIG. 4

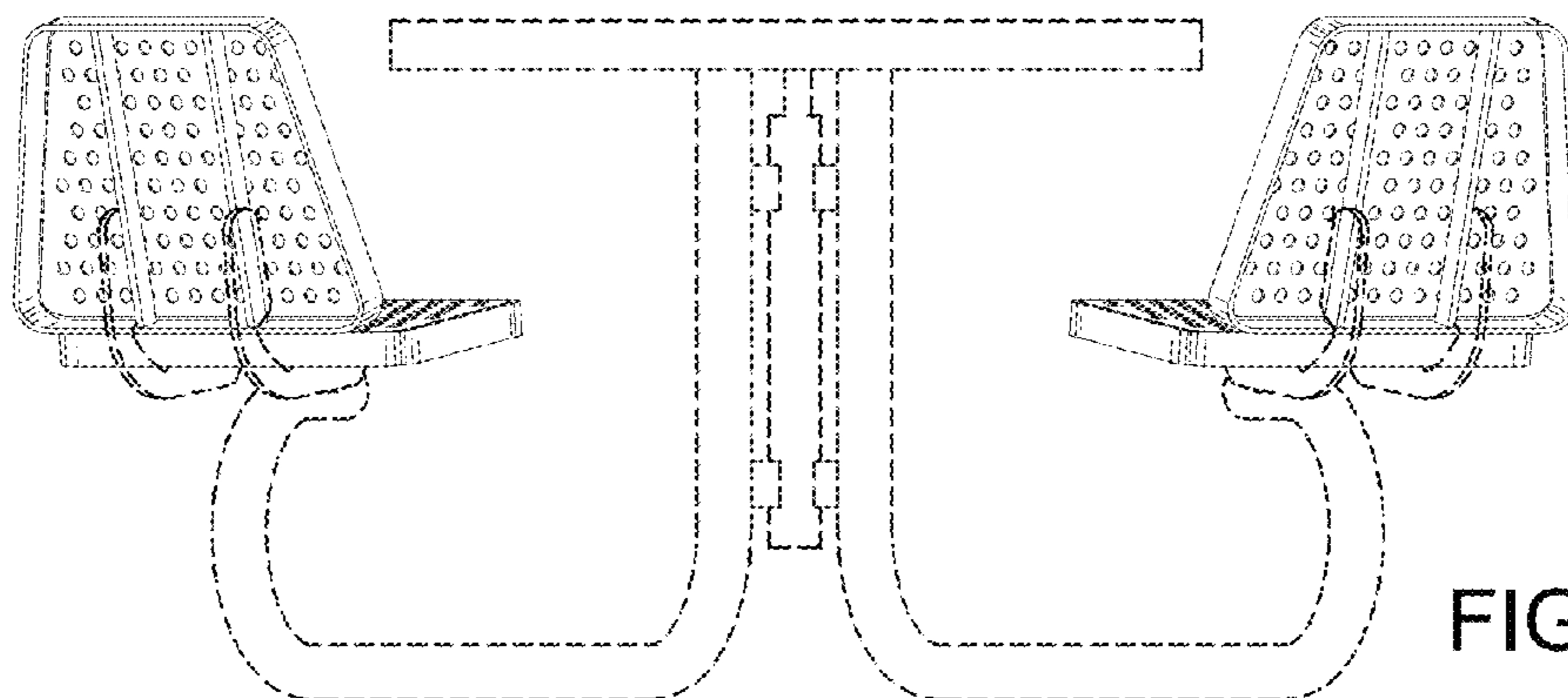


FIG. 5

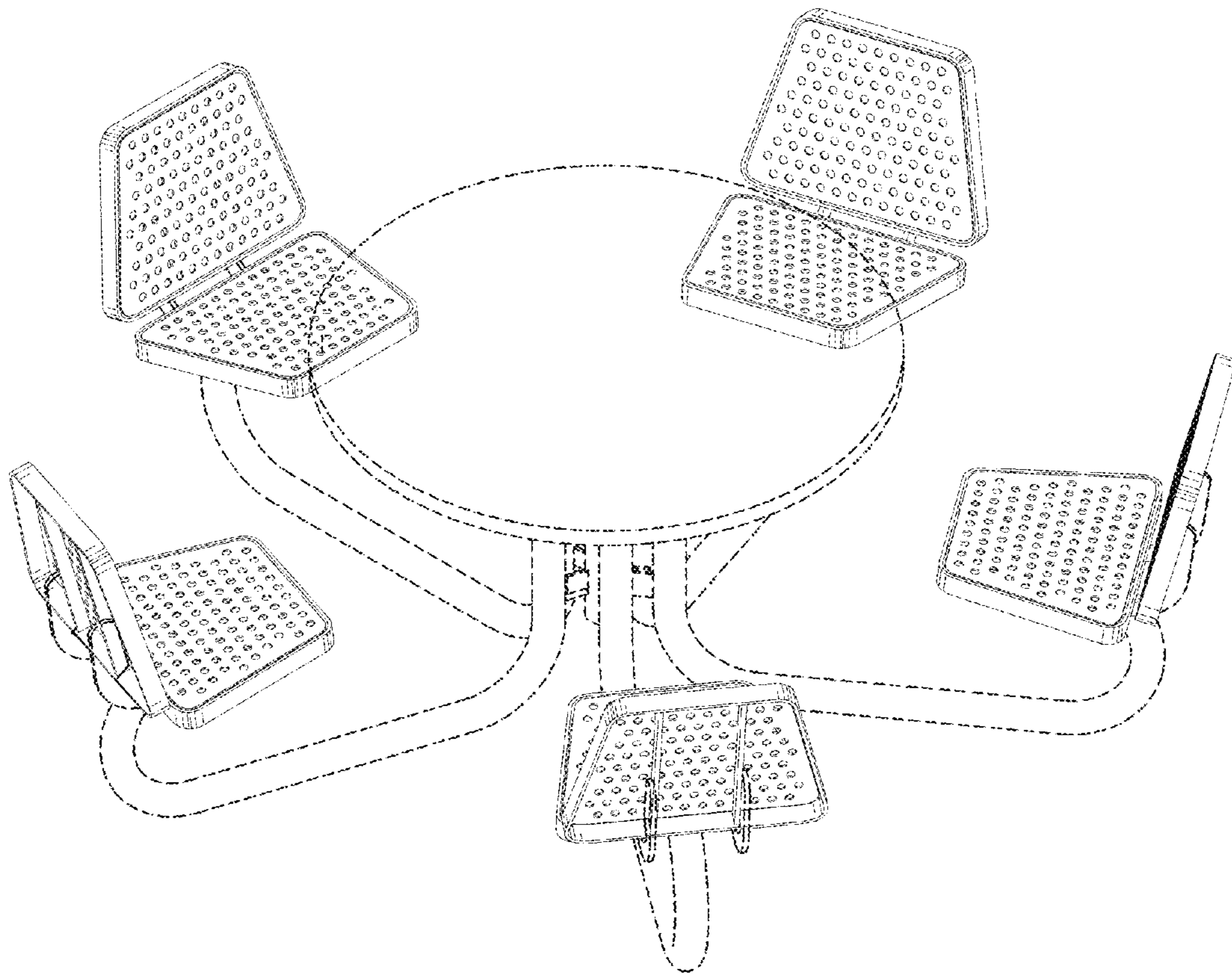


FIG. 6

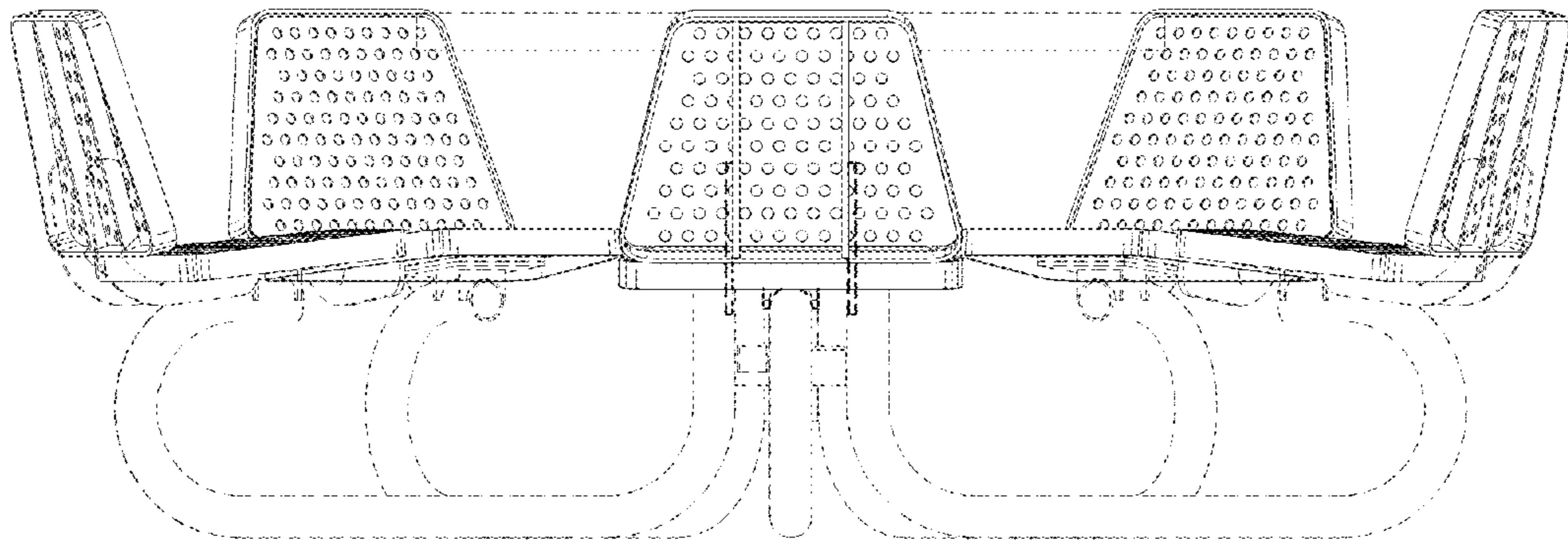


FIG. 7

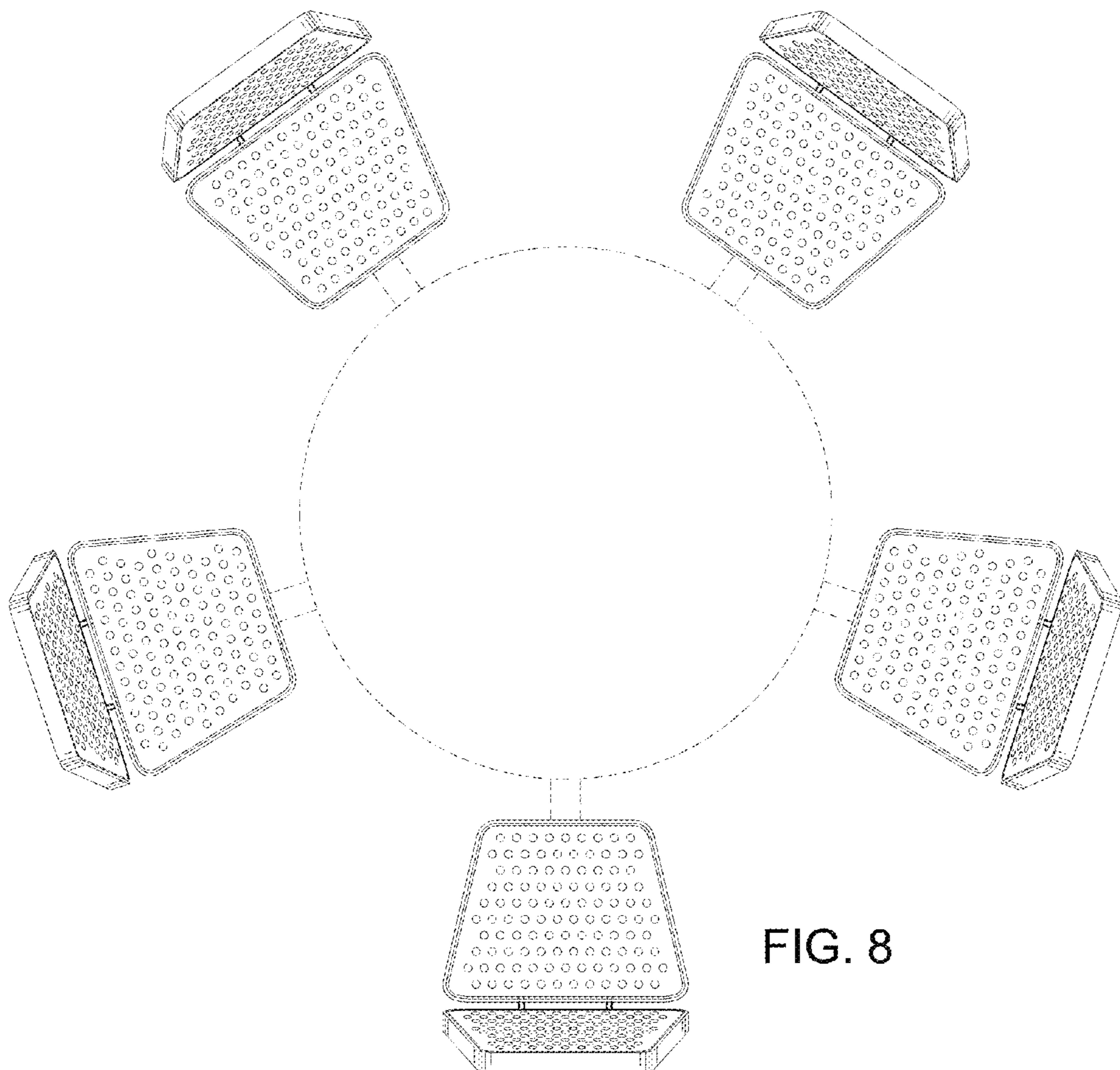


FIG. 8

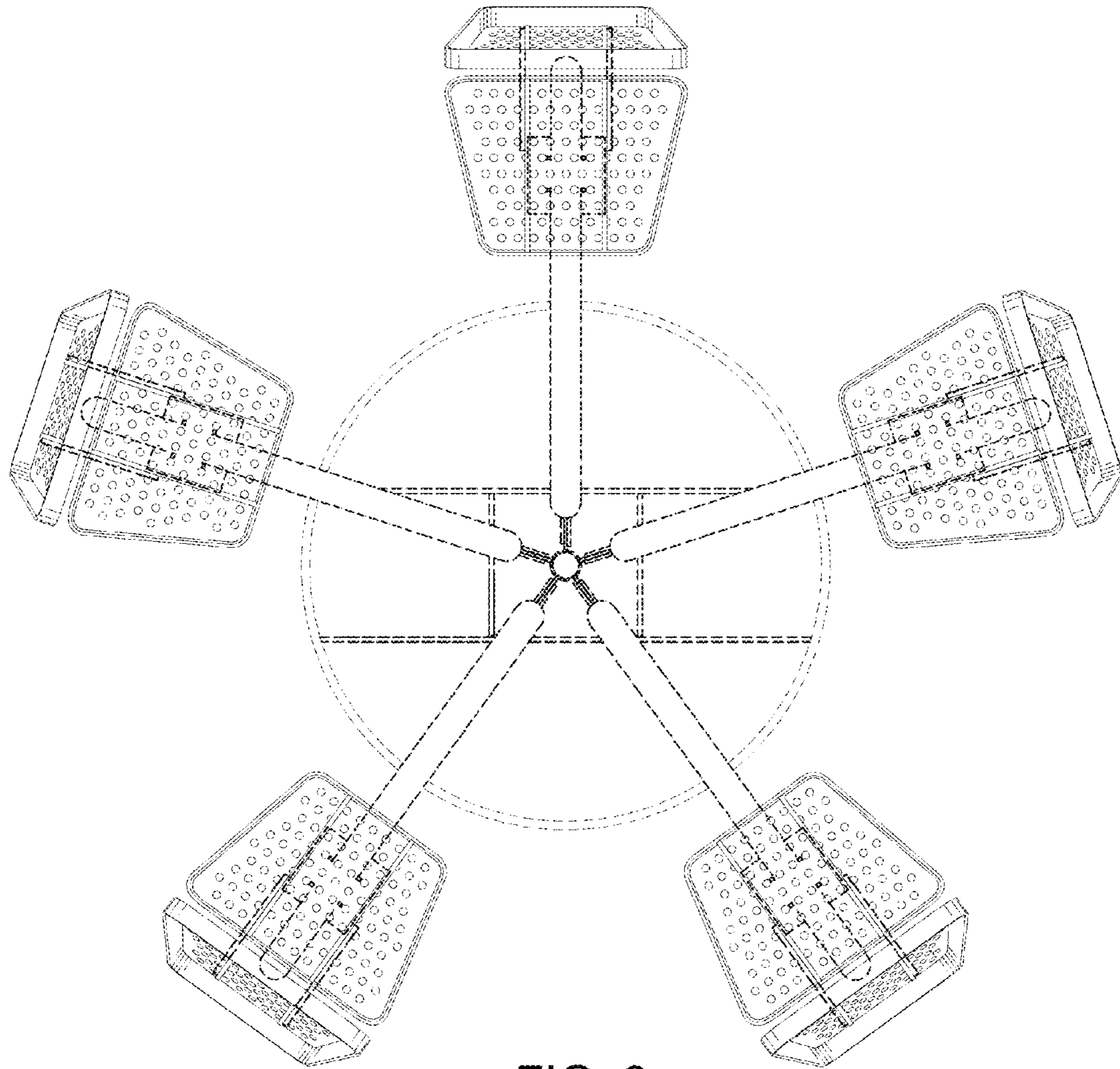


FIG. 9

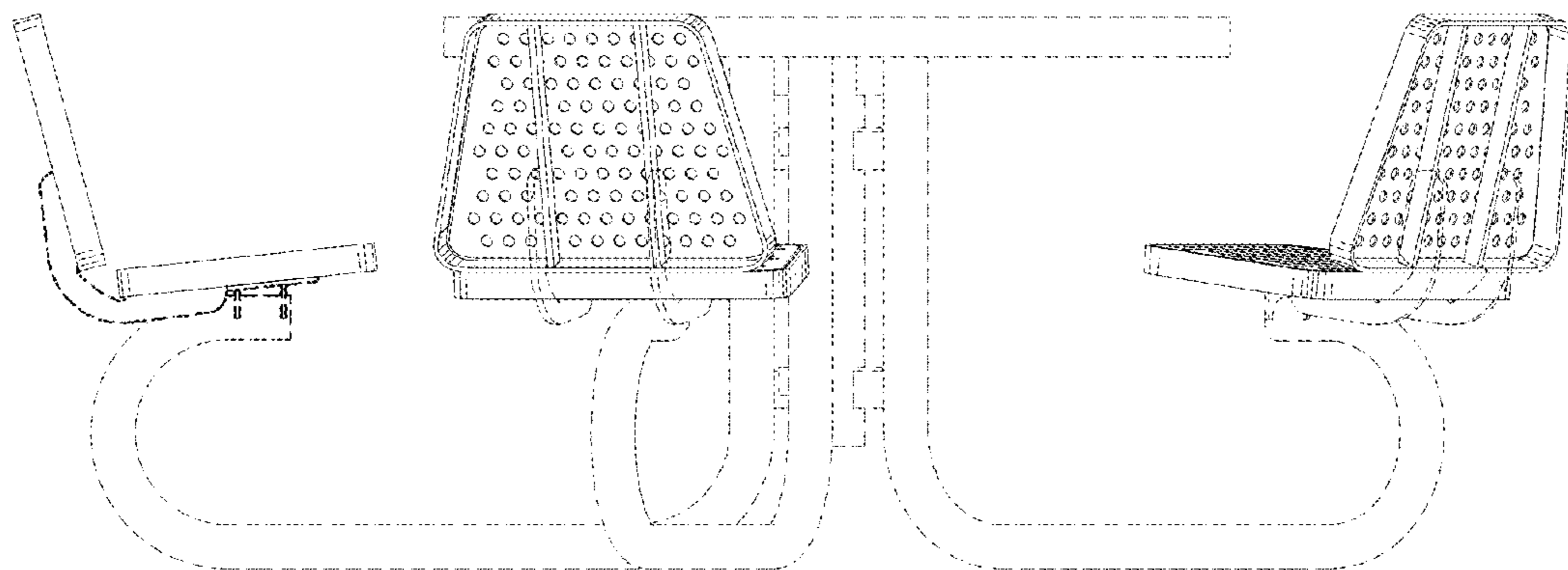


FIG. 10

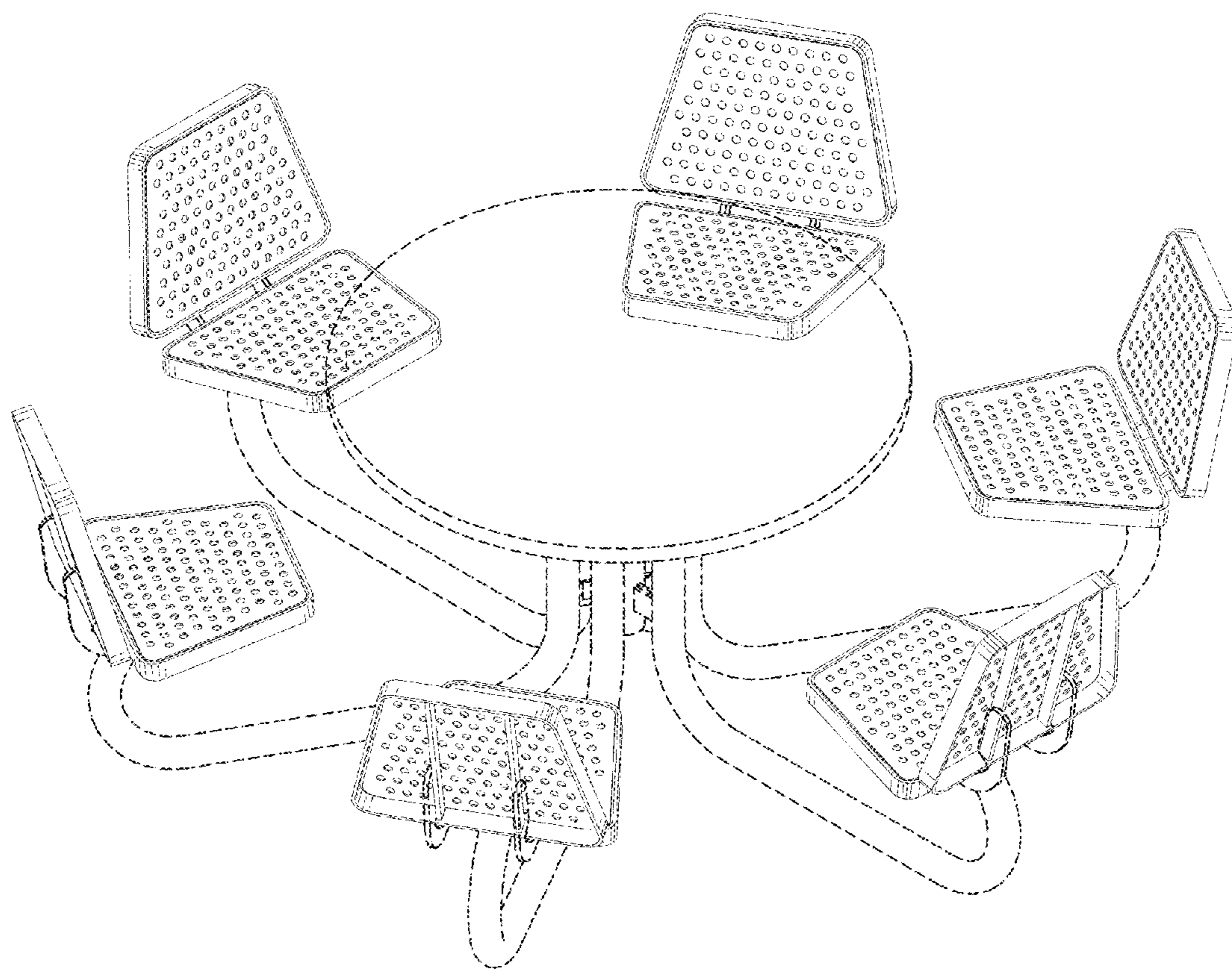


FIG. 11

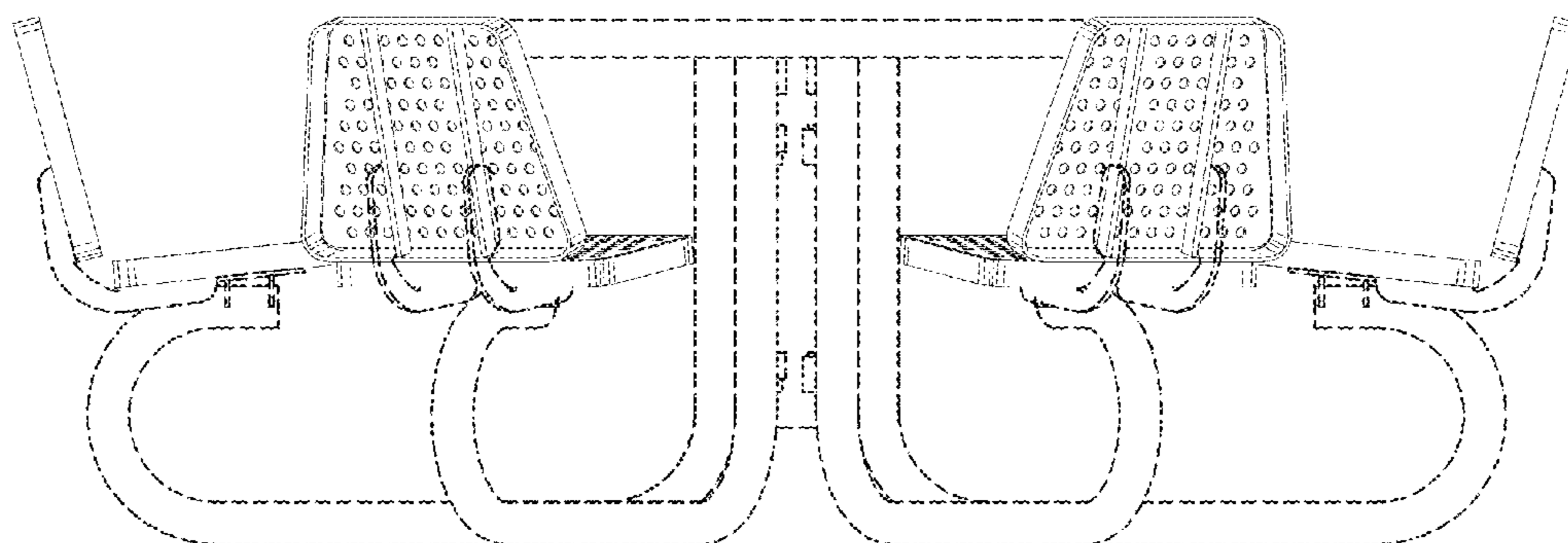


FIG. 12

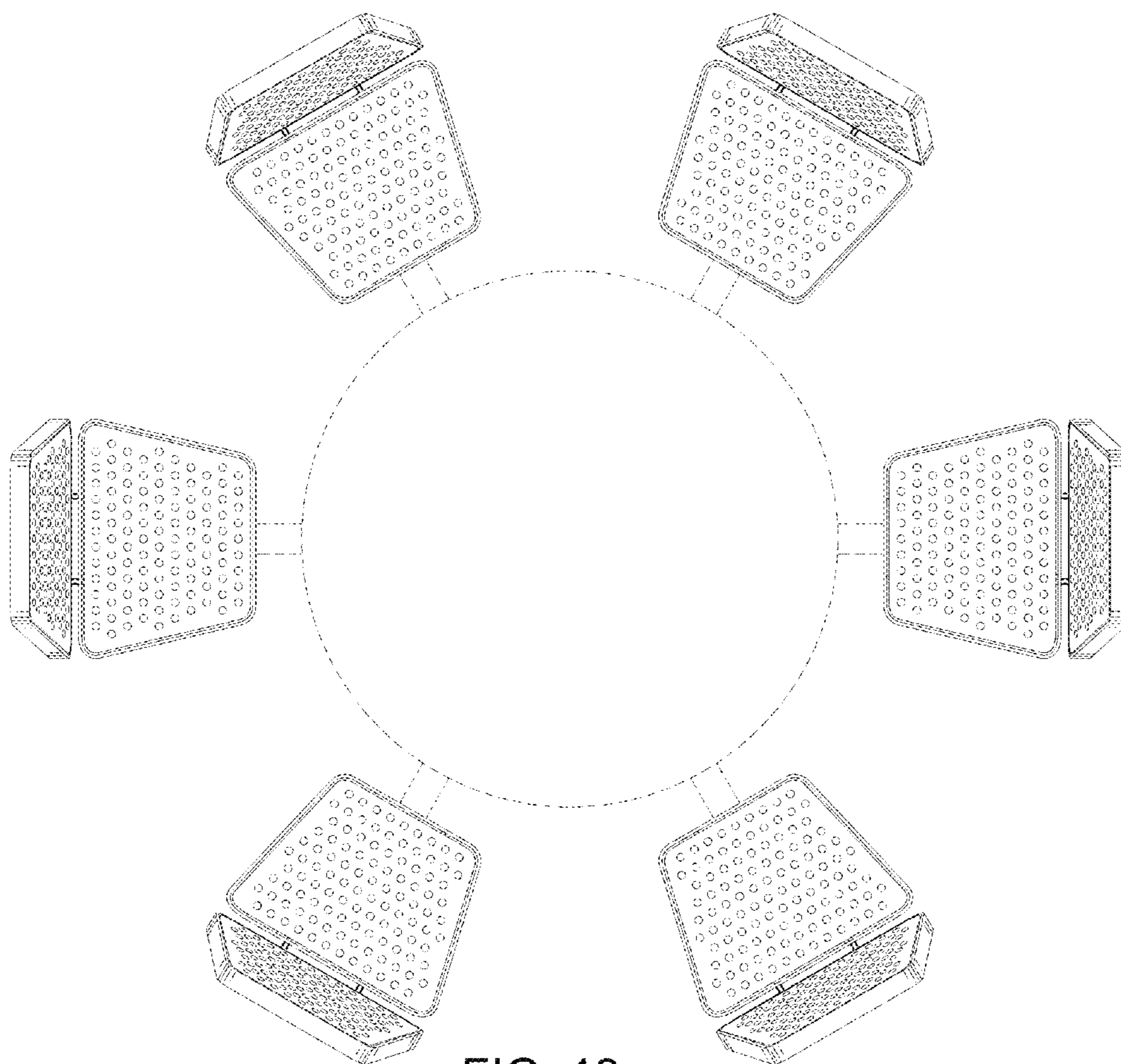


FIG. 13

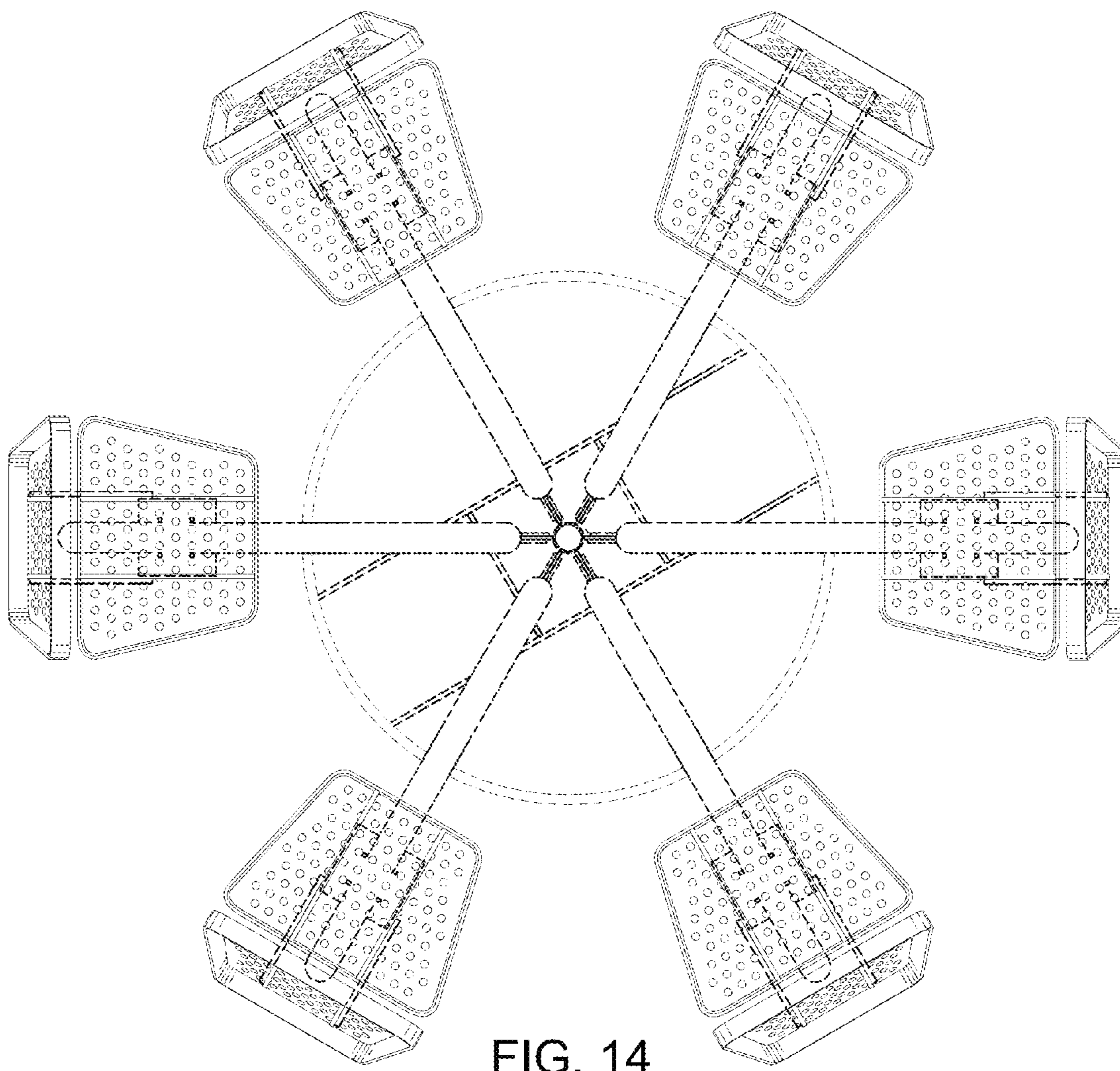


FIG. 14

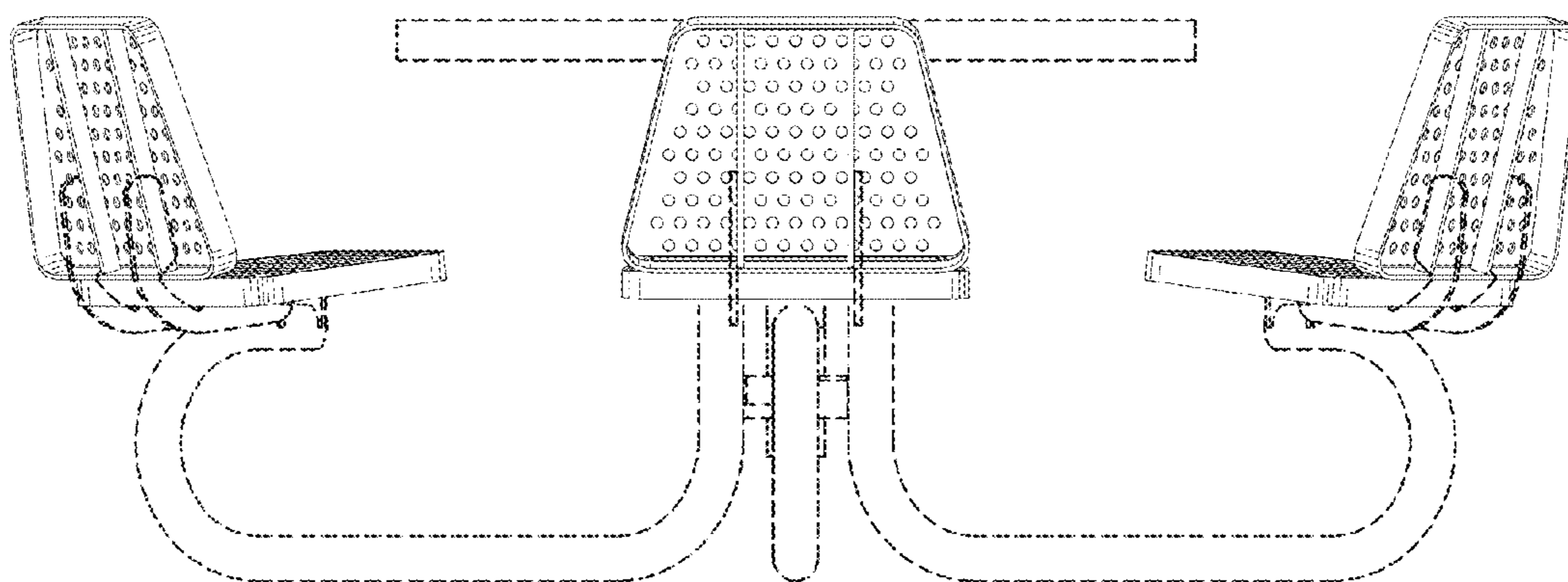


FIG. 15