



US00D690974S

(12) **United States Design Patent**
Pollack

(10) **Patent No.:** **US D690,974 S**

(45) **Date of Patent:** **** Oct. 8, 2013**

(54) **SEAT STRUCTURE**

(76) Inventor: **Albert R. Pollack**, Levittown, PA (US)

(**) Term: **14 Years**

(21) Appl. No.: **29/411,918**

(22) Filed: **Jan. 27, 2012**

(51) **LOC (9) Cl.** **06-01**

(52) **U.S. Cl.**
USPC **D6/716; D6/375**

(58) **Field of Classification Search**
USPC D6/333, 334-336, 371-373, 374,
D6/375, 376, 715, 716, 716.1, 716.2, 716.3,
D6/716.4; D21/823; 297/250.1, 452.12,
297/452.14, 452.19
See application file for complete search history.

(56) **References Cited**

U.S. PATENT DOCUMENTS

2,764,224	A	9/1956	Maurer	
D264,528	S *	5/1982	Nakao et al.	D6/333
4,640,546	A	2/1987	Aguilar	
4,678,229	A	7/1987	Ryan et al.	
4,790,599	A	12/1988	Goldman	
5,108,148	A	4/1992	Henke	
D330,461	S *	10/1992	Stevens	D6/374
D356,447	S *	3/1995	Peters	D6/333
D381,817	S *	8/1997	Cone, II	D6/333
5,735,571	A	4/1998	Colondona	
5,857,739	A	1/1999	Smith	
5,967,609	A	10/1999	Potter	
6,022,071	A	2/2000	Smith	
6,206,393	B1	3/2001	Mascari et al.	
6,491,342	B1	12/2002	Smith	
D484,941	S *	1/2004	Johnson	D21/823

D629,218	S *	12/2010	Li	D6/333
D644,448	S *	9/2011	Li	D6/375
D646,497	S *	10/2011	Overthun et al.	D6/375
D677,476	S *	3/2013	Crawford	D6/334
D679,517	S *	4/2013	Corcoran et al.	D6/375
D679,523	S *	4/2013	Corcoran et al.	D6/716
2006/0087159	A1	4/2006	Sheldon et al.	
2007/0001499	A1	1/2007	Smith	
2007/0278834	A1	12/2007	Kielland	
2007/0290538	A1	12/2007	Walter	
2011/0031788	A1	2/2011	Kosik et al.	

OTHER PUBLICATIONS

Human Touch Perfect Chair PC-006.
Relax The Back All Zero Gravity Recliners.

* cited by examiner

Primary Examiner — Mimoso De
(74) *Attorney, Agent, or Firm* — Volpe and Koenig, P.C.

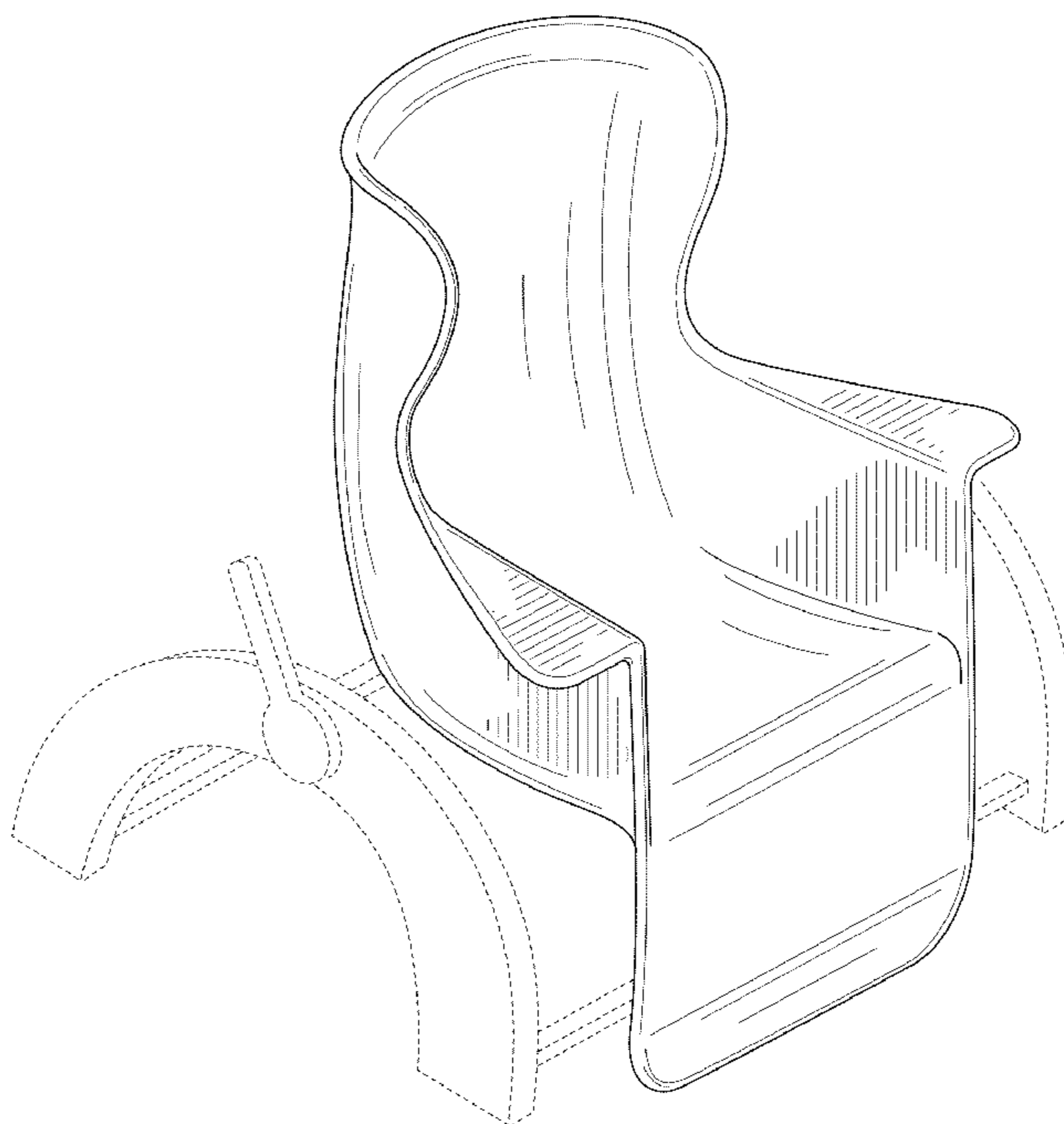
(57) **CLAIM**

The ornamental design for a seat structure, as shown and described.

DESCRIPTION

FIG. 1 is a perspective view of a seat structure according to my invention, the material in dashes does not form part of the invention;
FIG. 2 is a front view of FIG. 1;
FIG. 3 is a rear view of FIG. 1;
FIG. 4 is a right side view of FIG. 1;
FIG. 5 is a left side view of FIG. 1;
FIG. 6 is a top plan view of FIG. 1; and,
FIG. 7 is a bottom plan view of FIG. 1.

1 Claim, 7 Drawing Sheets



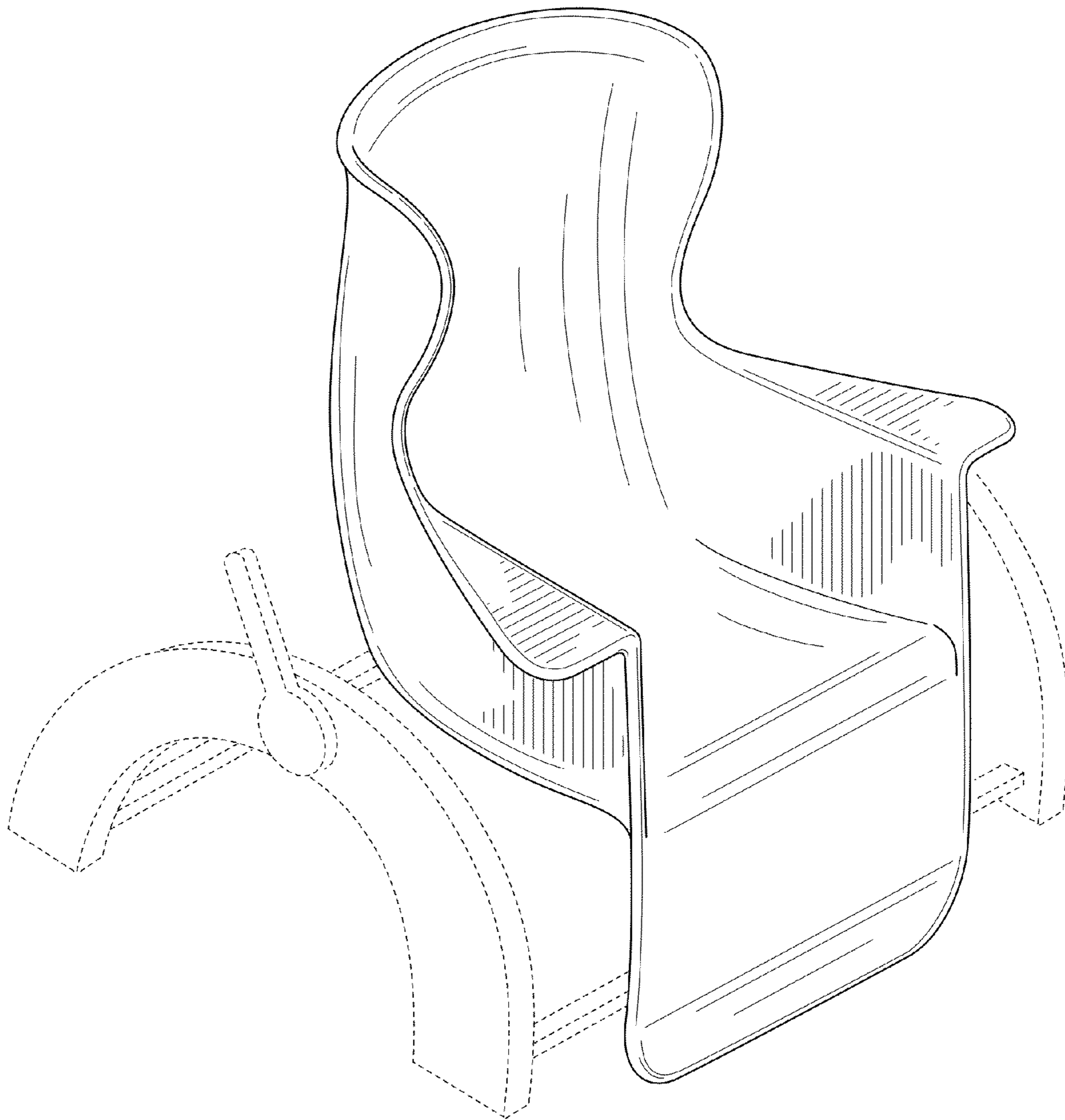


FIG. 1

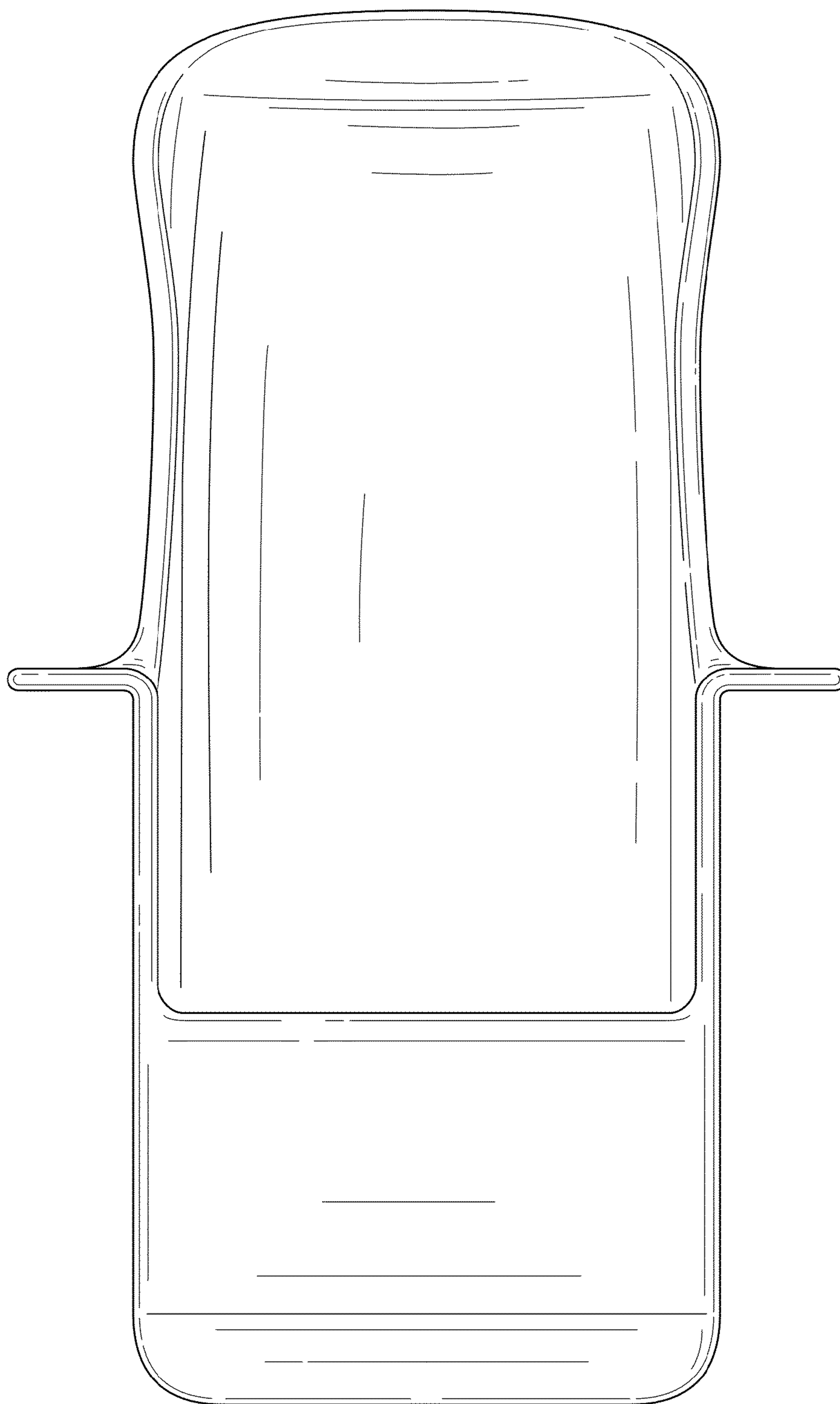


FIG. 2

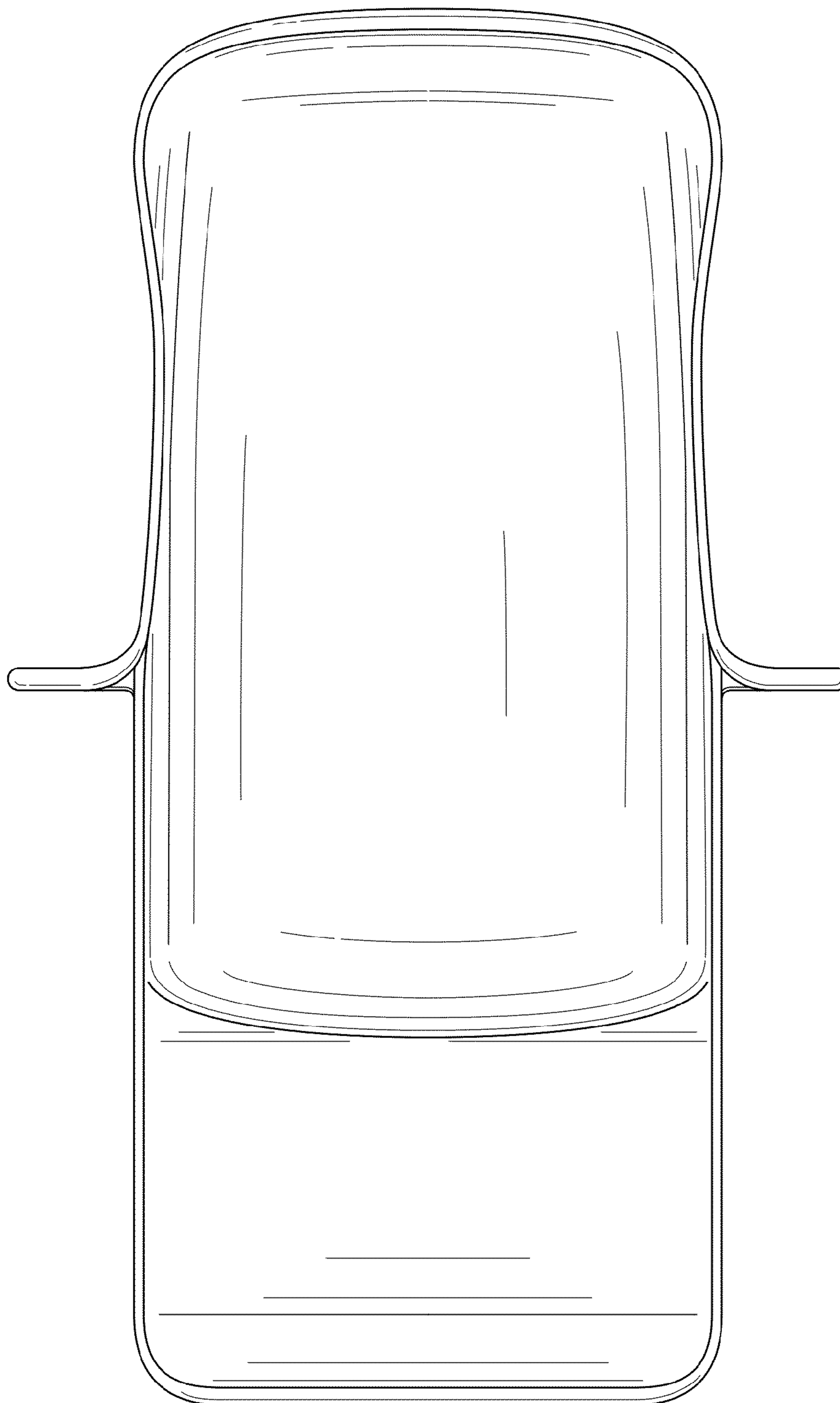


FIG. 3

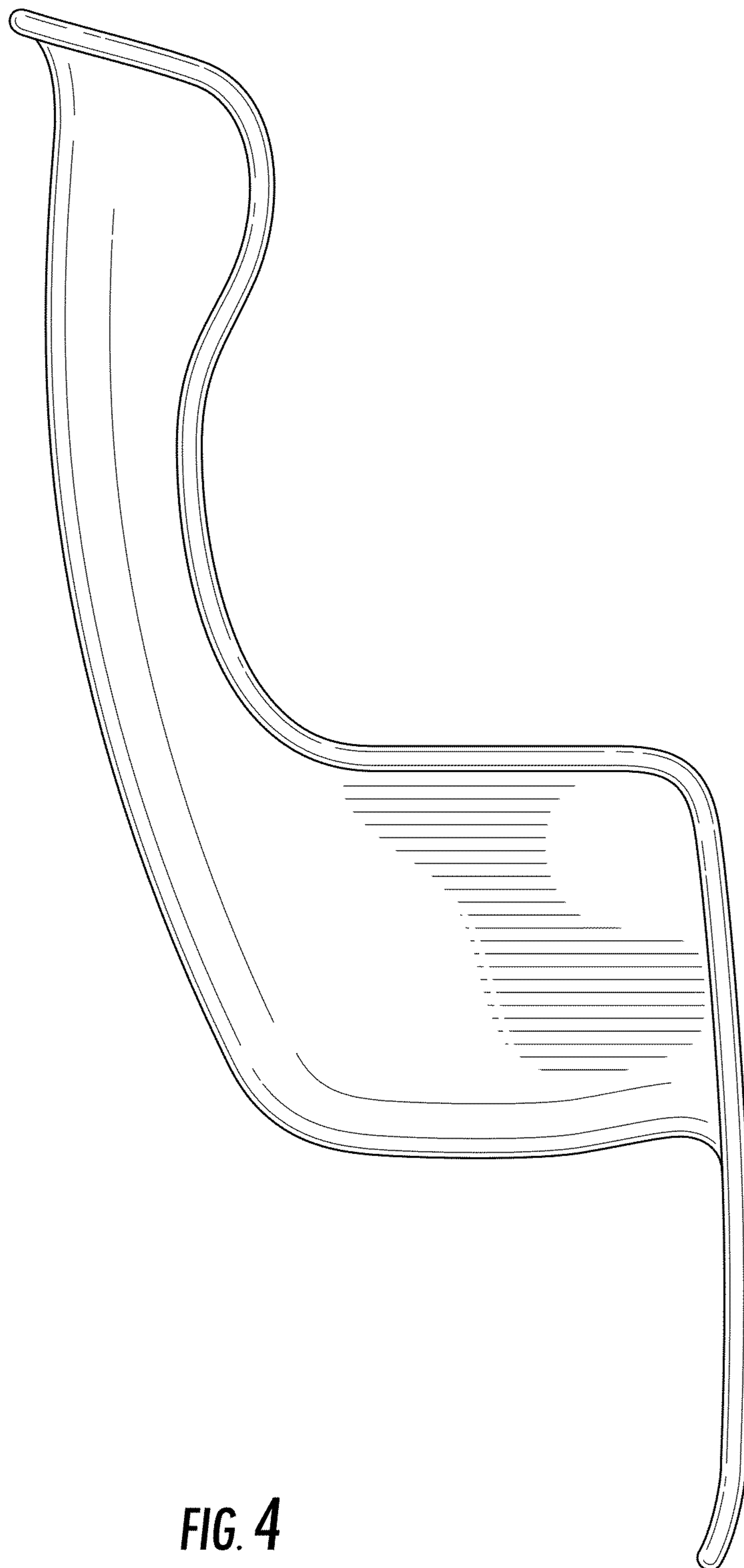


FIG. 4

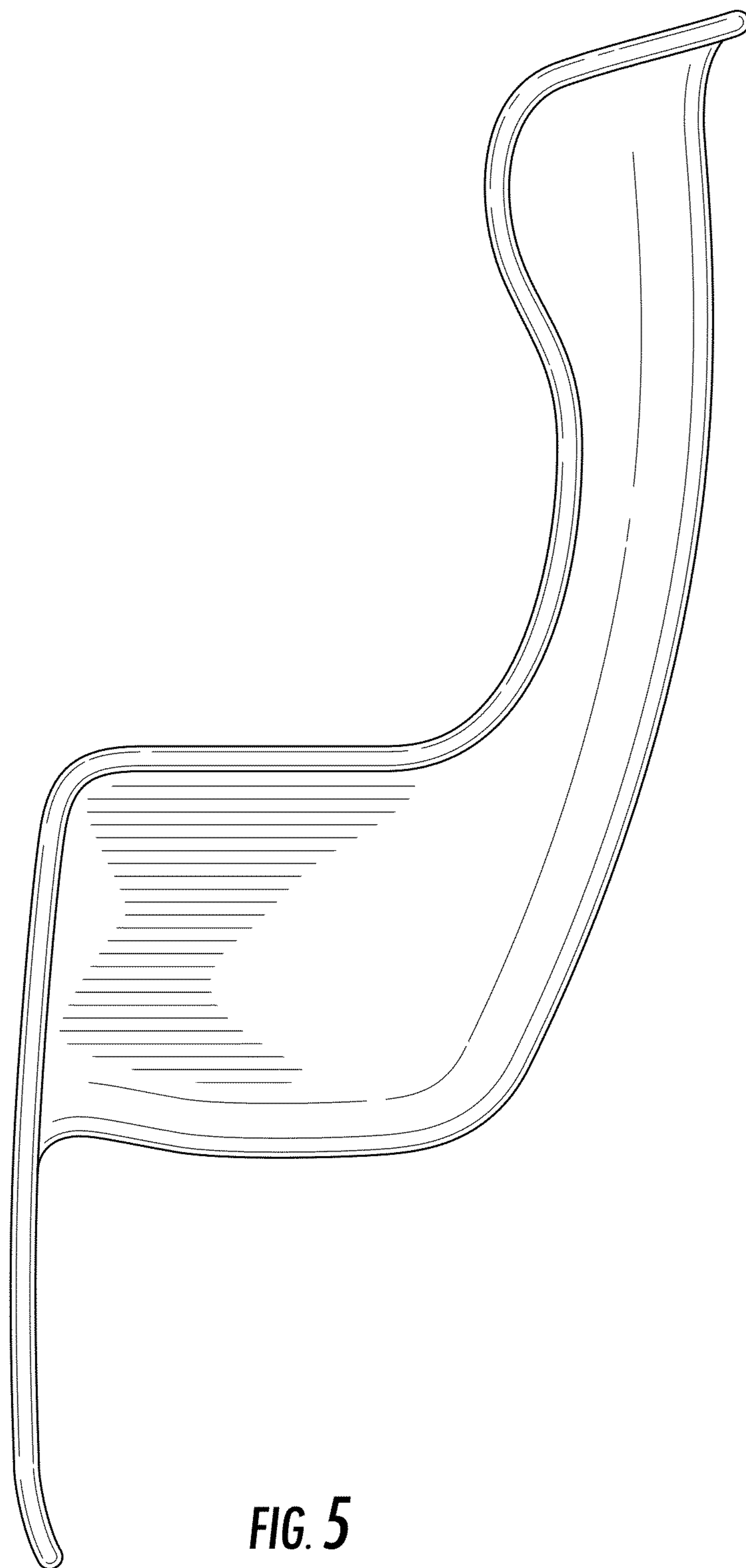


FIG. 5

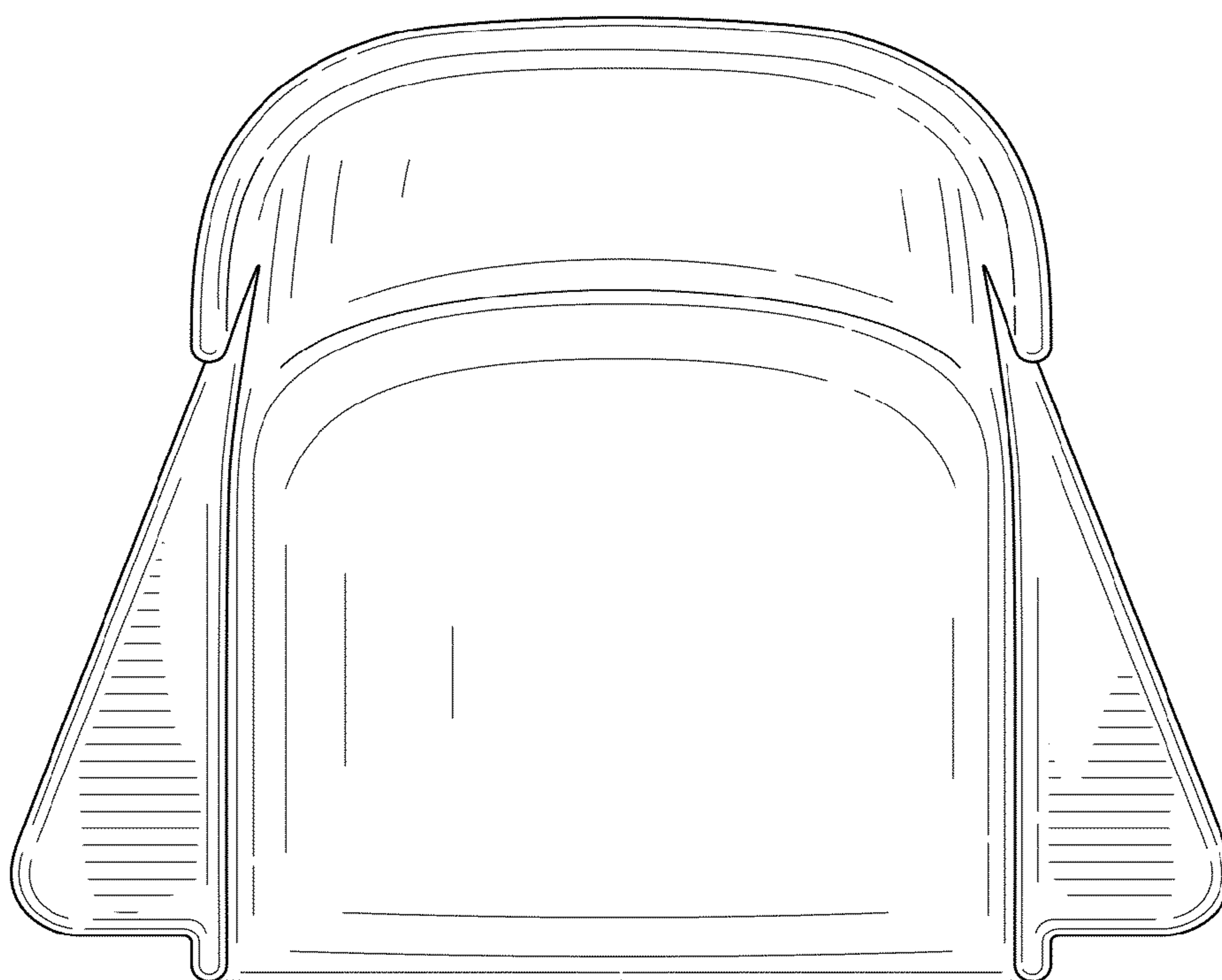


FIG. 6

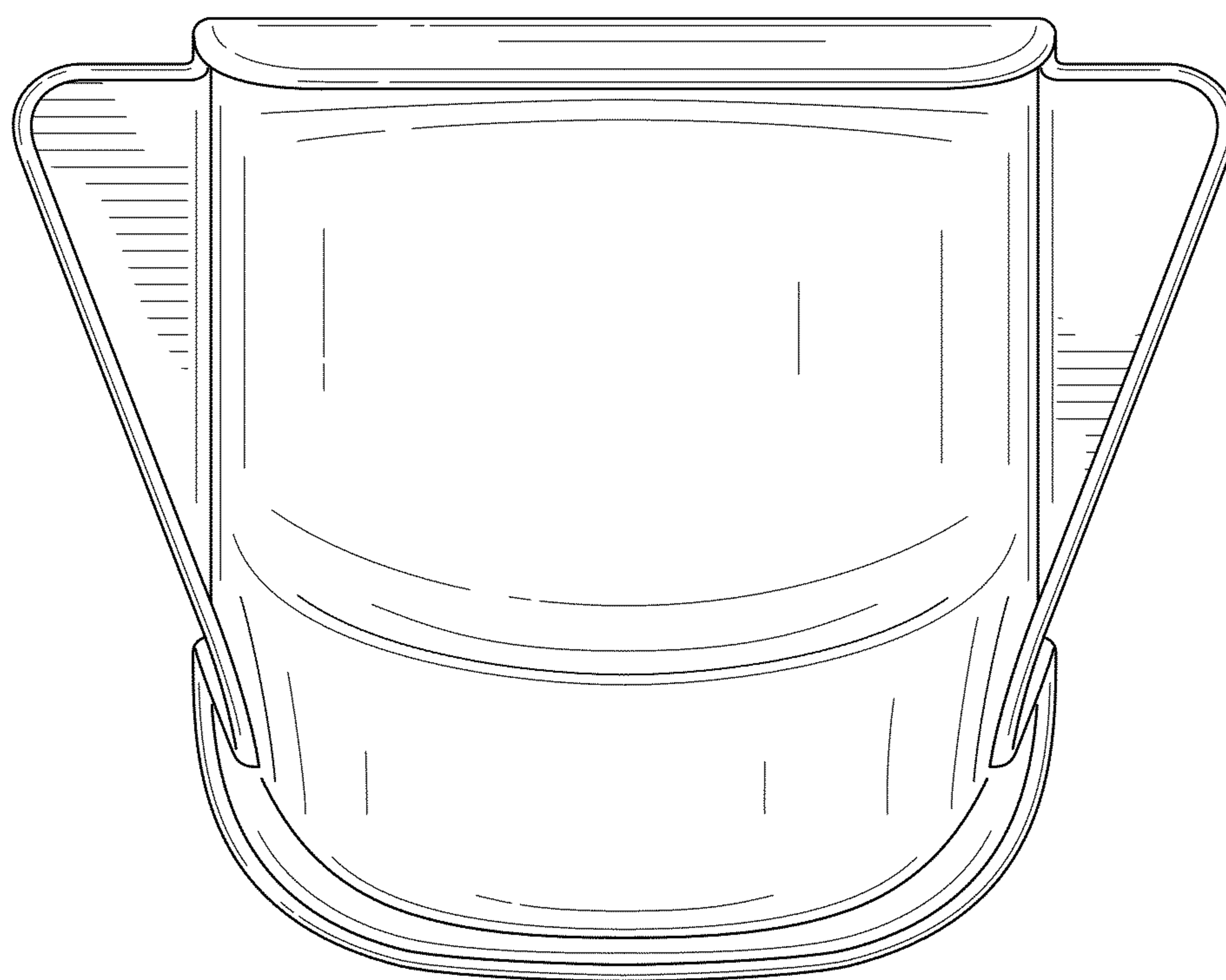


FIG. 7