

US00D690972S

(12) **United States Design Patent**
Lizotte

(10) **Patent No.:** **US D690,972 S**
(45) **Date of Patent:** **** Oct. 8, 2013**

(54) **CABINET DRAWER**

(75) Inventor: **Gerry Lizotte**, Saint-Jean-Chrysostome (CA)

(73) Assignee: **Rousseau Metal Inc.**,
Saint-Jean-Port-Joli, Quebec (CA)

(**) Term: **14 Years**

(21) Appl. No.: **29/416,289**

(22) Filed: **Mar. 20, 2012**

(30) **Foreign Application Priority Data**

Sep. 29, 2011 (CA) 142502

(51) **LOC (9) Cl.** **06-06**

(52) **U.S. Cl.**
USPC **D6/705**

(58) **Field of Classification Search**

USPC D6/300, 309, 396, 436-439, 444-448,
D6/460-468, 470-479, 491-495, 509-511,
D6/559, 561, 657, 660-662, 662.1, 671, 671.1-671.3,
D6/672-675, 675.1, 678.4, 699, 703, 703.2-703.3,
D6/705, 705.5; D7/405; D14/356; D32/25;
D34/27; 211/42-50, 90.01, 133.1, 186-189;
312/50, 107-109, 117-119, 122, 194, 198,
312/204-209, 224-234, 242, 245, 278-279

See application file for complete search history.

(56) **References Cited**

U.S. PATENT DOCUMENTS

D149,434 S 4/1948 Moberg
D263,100 S 2/1982 Thompson
D263,777 S 4/1982 Thompson
D275,500 S 9/1984 Tyke
D278,664 S 5/1985 Ferdinand et al.
D296,397 S 6/1988 Cugley
4,861,123 A 8/1989 Russell

D388,986 S 1/1998 Dittberner et al.
D398,795 S 9/1998 Zapf
D404,945 S * 2/1999 Simpkins et al. D6/510
D477,479 S 7/2003 Henderson et al.
D495,701 S * 9/2004 Murakami et al. D14/356
D504,258 S * 4/2005 Grossman et al. D6/510
D523,667 S 6/2006 Bisson
D529,254 S * 9/2006 Huguet D34/27
D540,999 S * 4/2007 Huguet D34/27
D543,001 S * 5/2007 Huguet D34/27
D565,874 S * 4/2008 Oura et al. D6/510
D599,145 S * 9/2009 Daino et al. D6/510

(Continued)

Primary Examiner — Ricky Pham

(74) *Attorney, Agent, or Firm* — Merchant & Gould P.C.

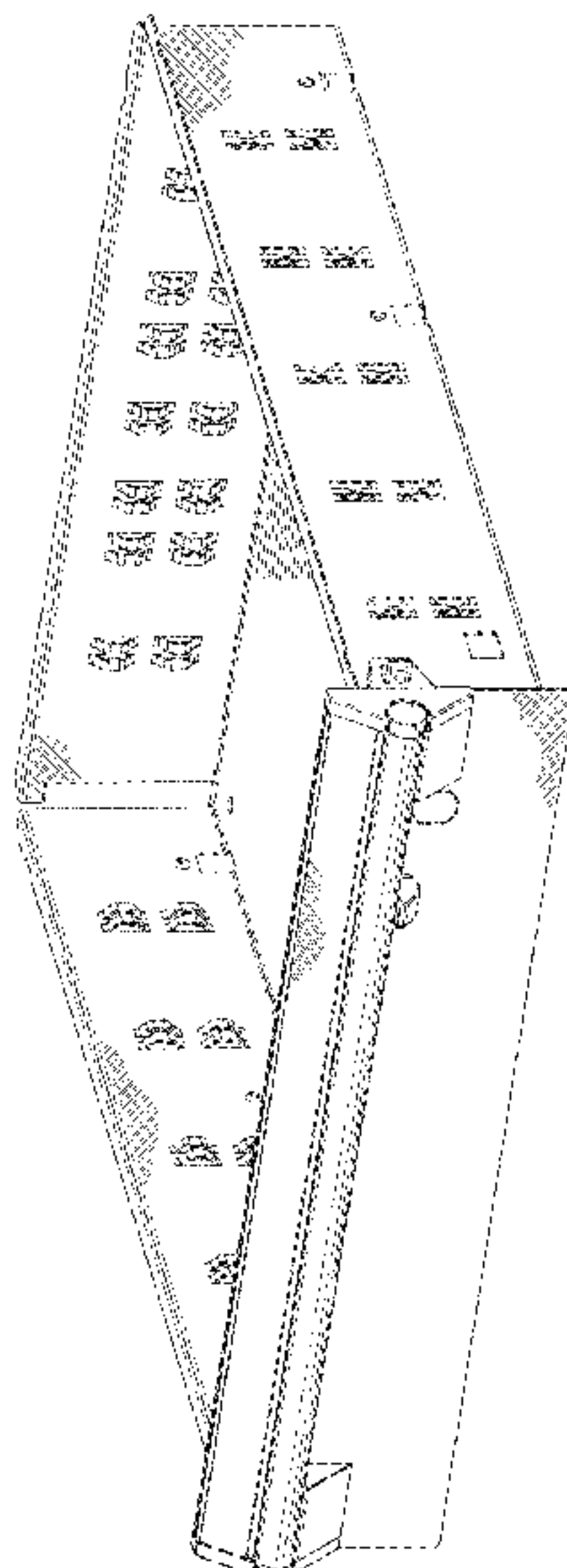
(57) **CLAIM**

The ornamental design for a cabinet drawer, as shown and described.

DESCRIPTION

FIG. 1 is a top perspective view of a cabinet drawer showing a first embodiment of my new design;
FIG. 2 is a front elevational view thereof;
FIG. 3 is a left elevational side view thereof;
FIG. 4 is a right elevational side view thereof;
FIG. 5 is a top plan view thereof;
FIG. 6 is a bottom plan view thereof;
FIG. 7 is a top perspective view of a second embodiment of a cabinet drawer showing my new design;
FIG. 8 is a front elevational view thereof;
FIG. 9 is a rear elevational view thereof;
FIG. 10 is a left elevational side view thereof;
FIG. 11 is a right elevational side thereof;
FIG. 12 is a top plan view thereof;
FIG. 13 is a bottom plan view thereof; and,
FIG. 14 is an enlarged perspective view of a portion of the cabinet drawer shown in FIG. 7.
The portions shown in broken lines form no part of the design.

1 Claim, 14 Drawing Sheets



US D690,972 S

Page 2

(56)

References Cited

U.S. PATENT DOCUMENTS

D600,957 S * 9/2009 Welch D6/510
D612,681 S * 3/2010 Baker et al. D7/405

D619,832 S * 7/2010 Zalewski et al. D6/510
D620,211 S * 7/2010 Shail D32/25
D672,174 S * 12/2012 Artus et al. D6/705

* cited by examiner

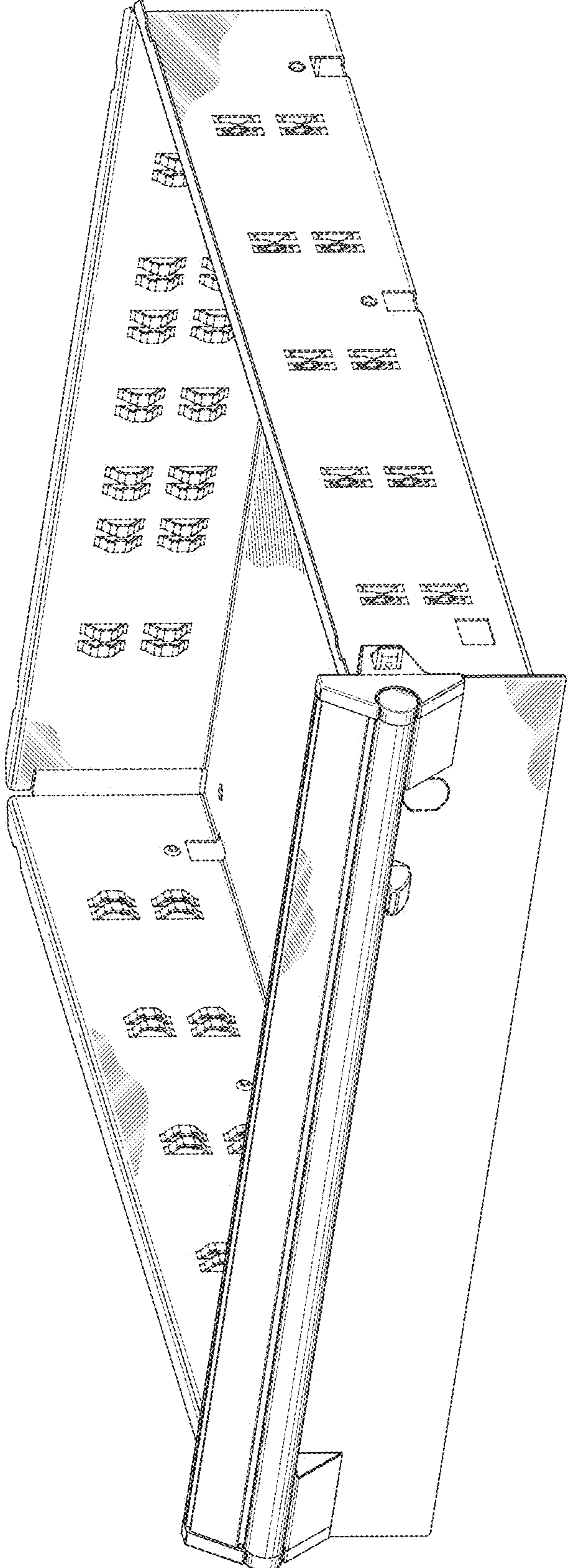


FIG. 1

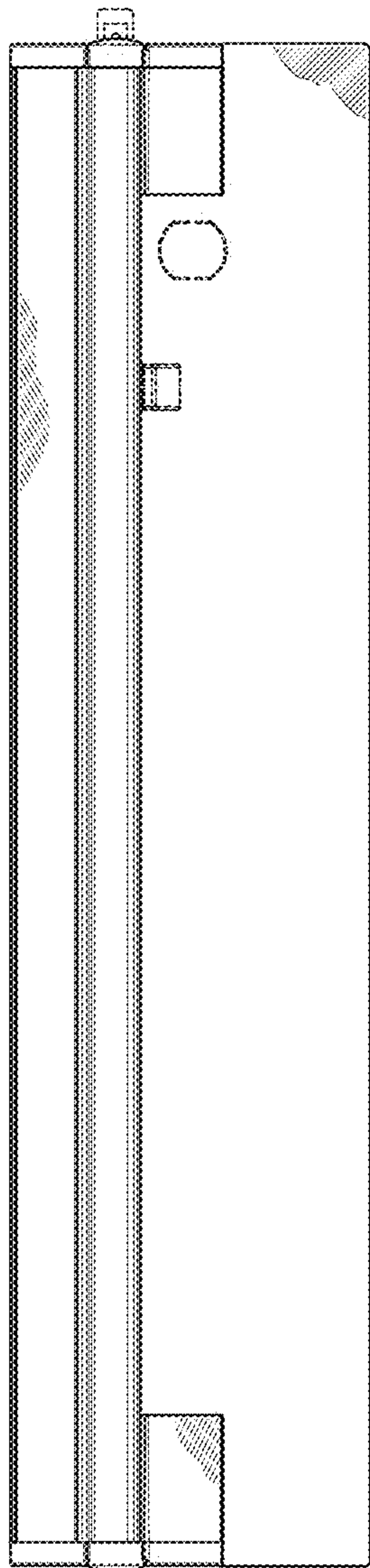


FIG. 2

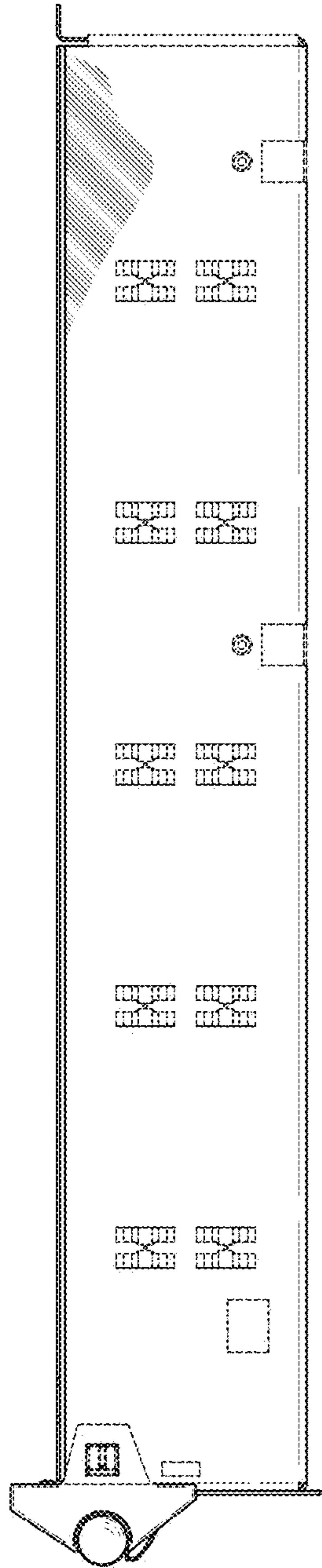


FIG. 3

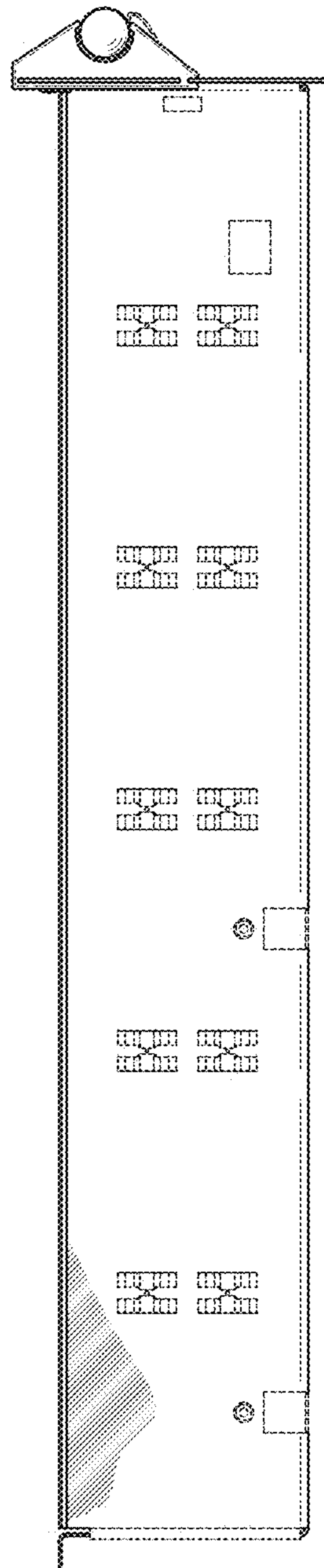


FIG. 4

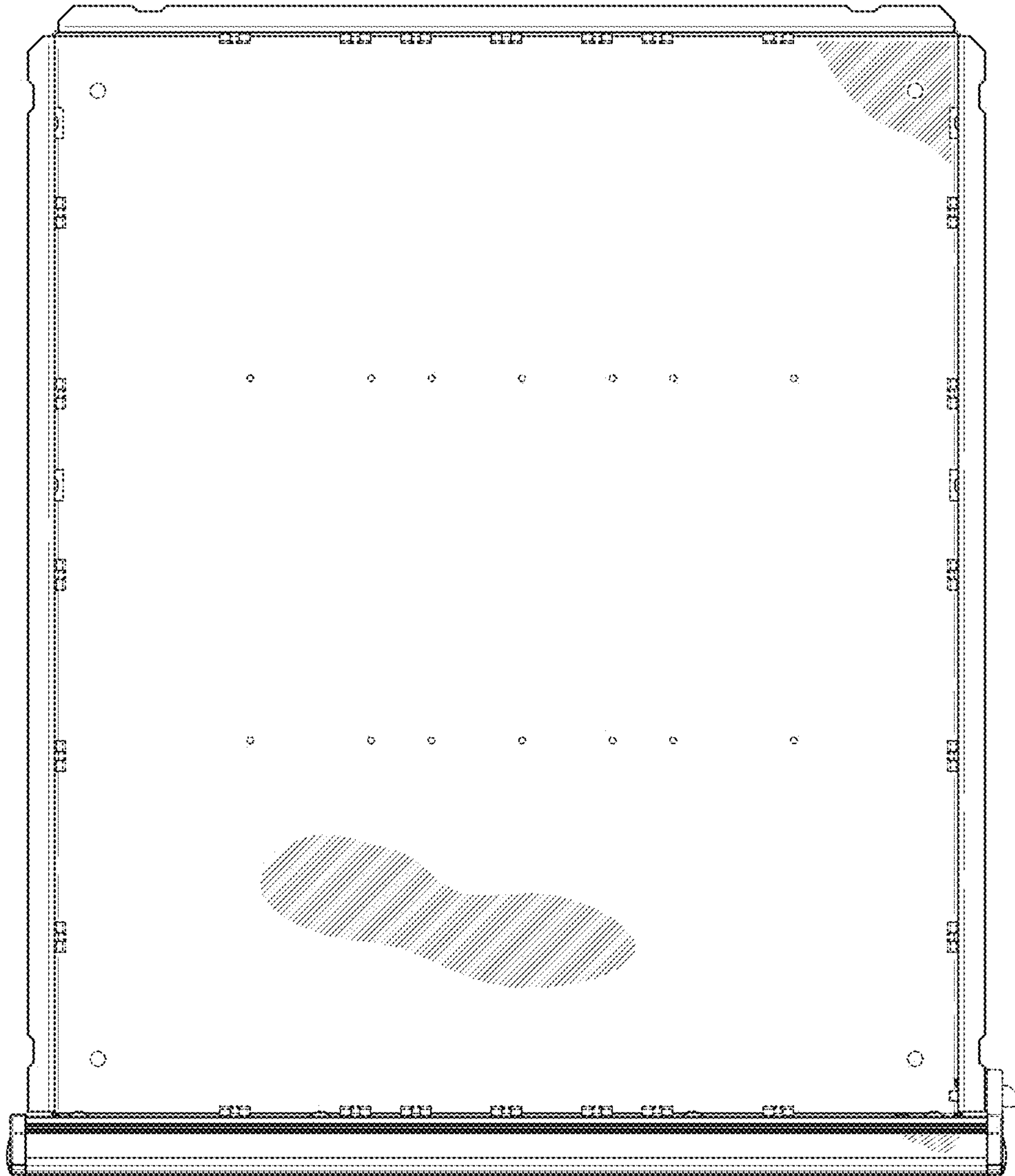


FIG. 5

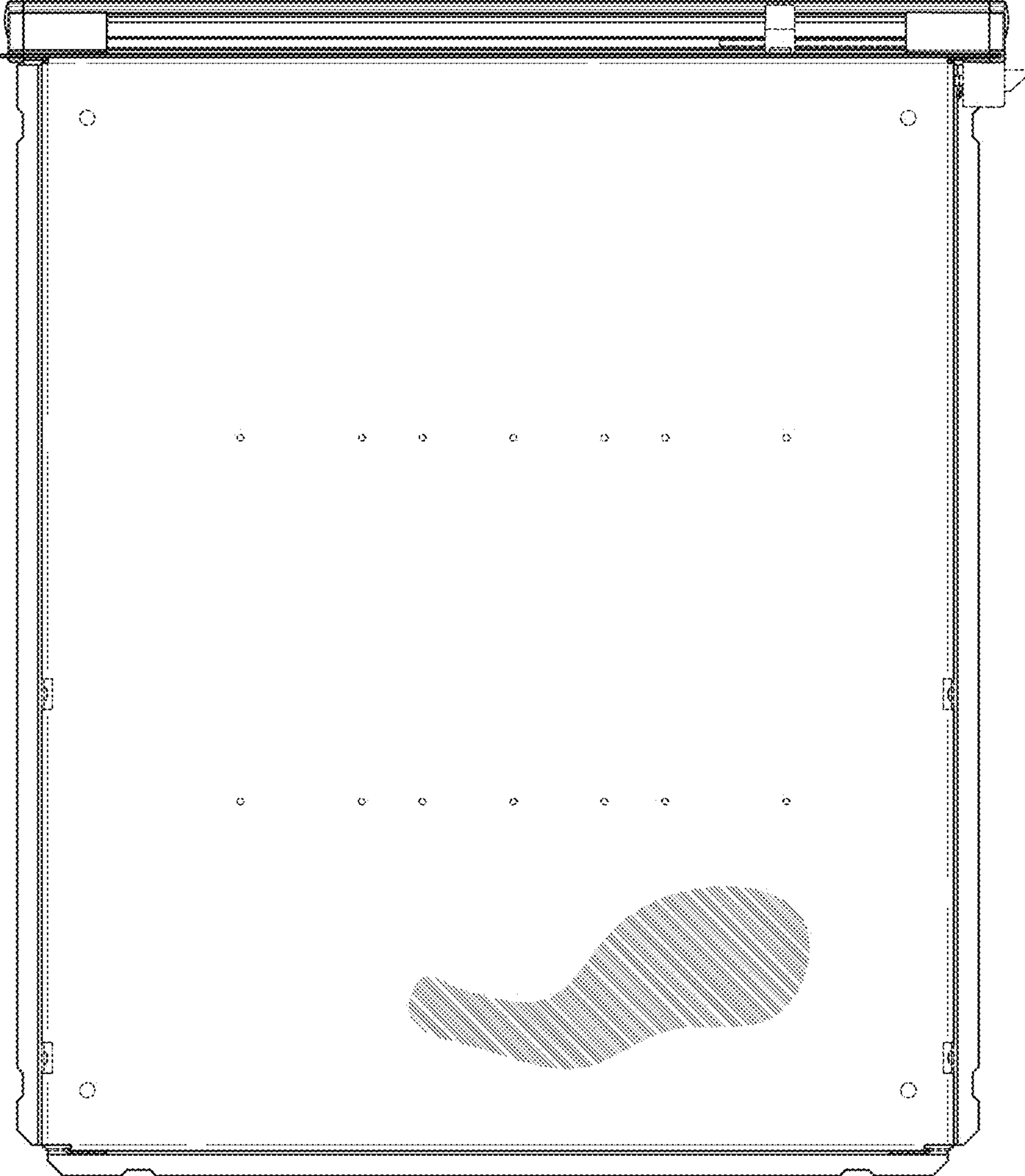


FIG. 6

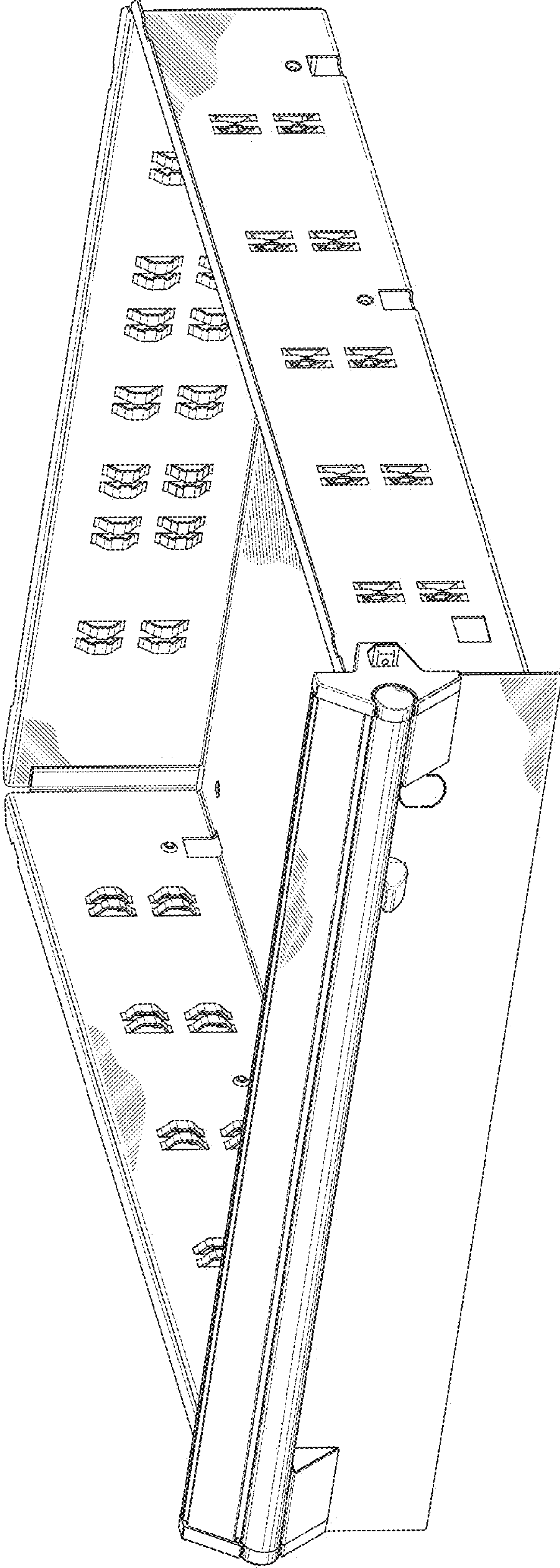


FIG. 7

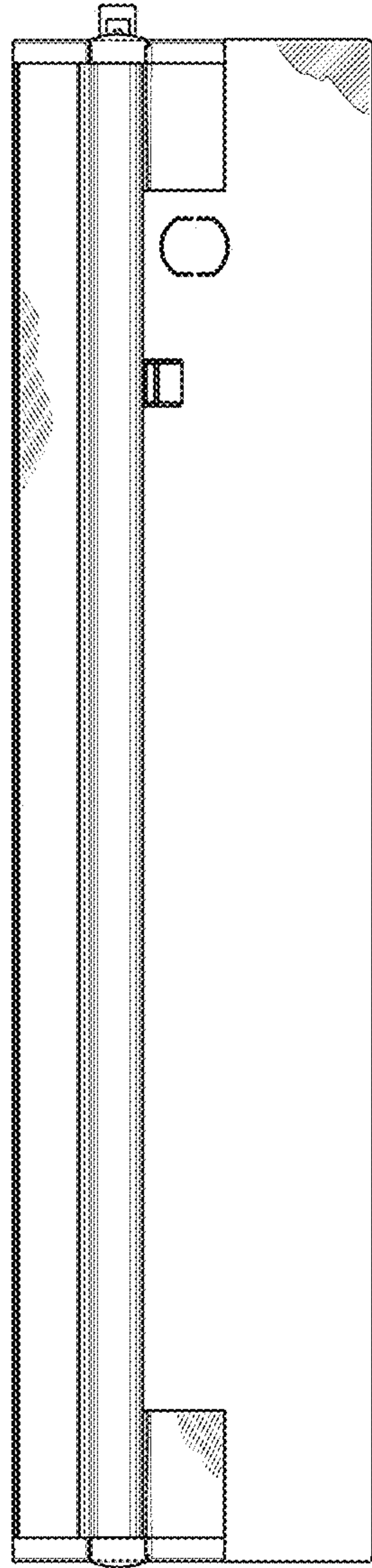


FIG. 8

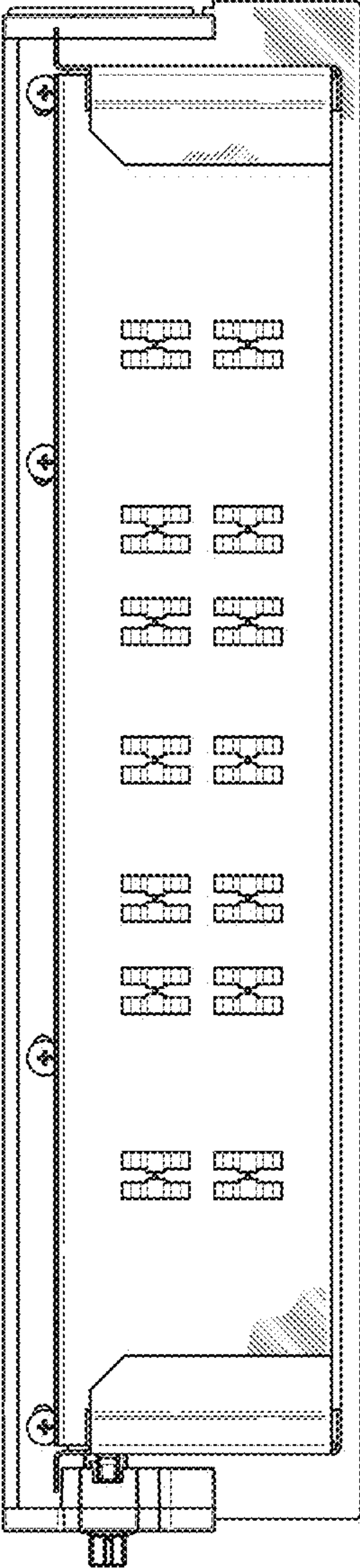


FIG. 9

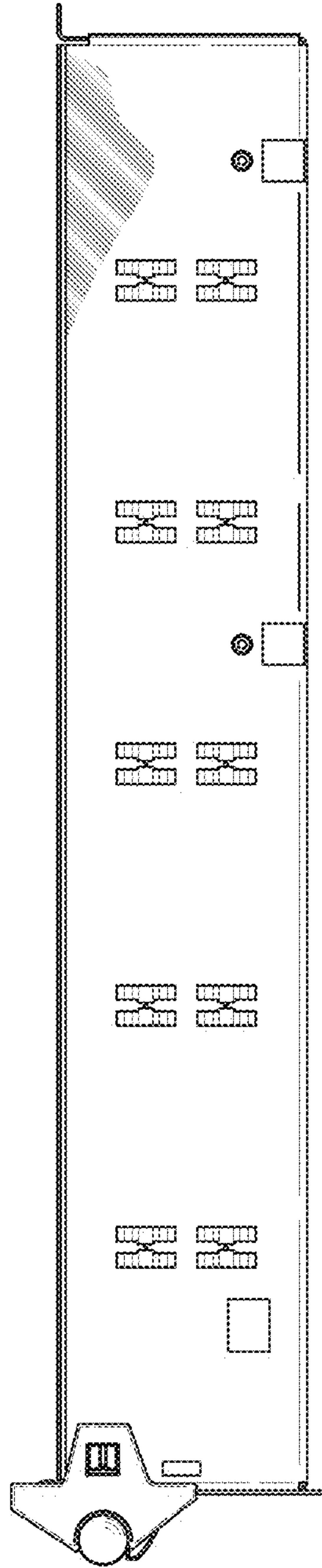


FIG. 10

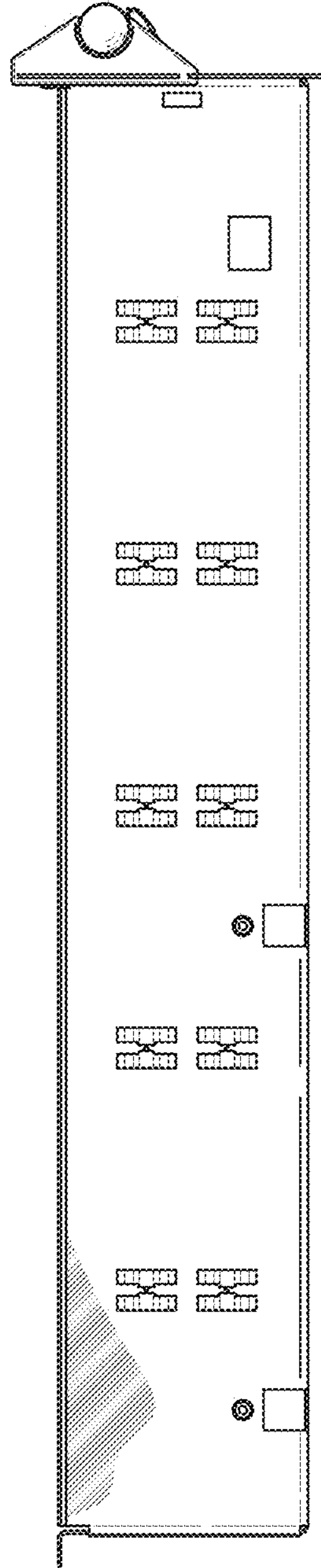


FIG. 11

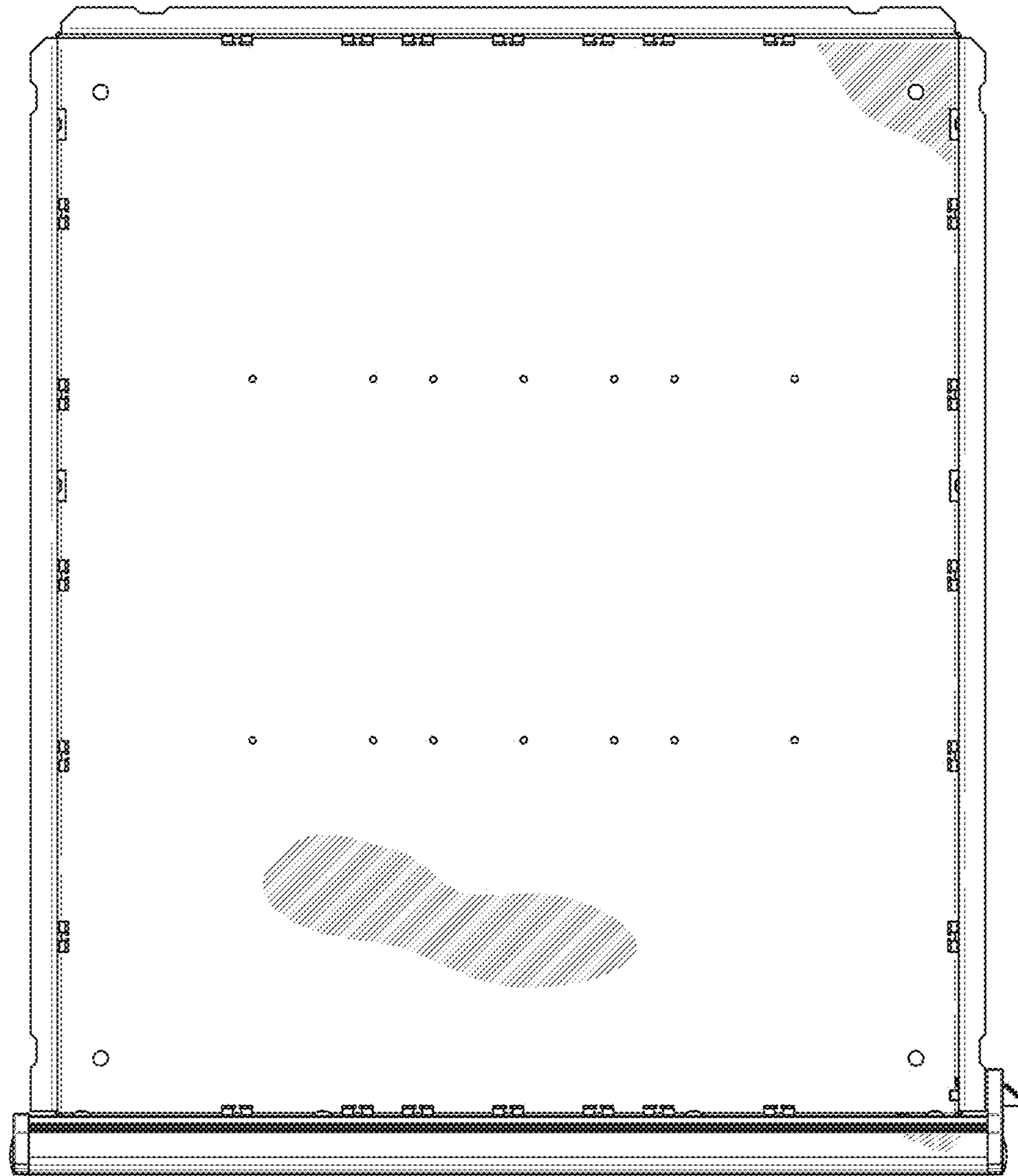


FIG. 12

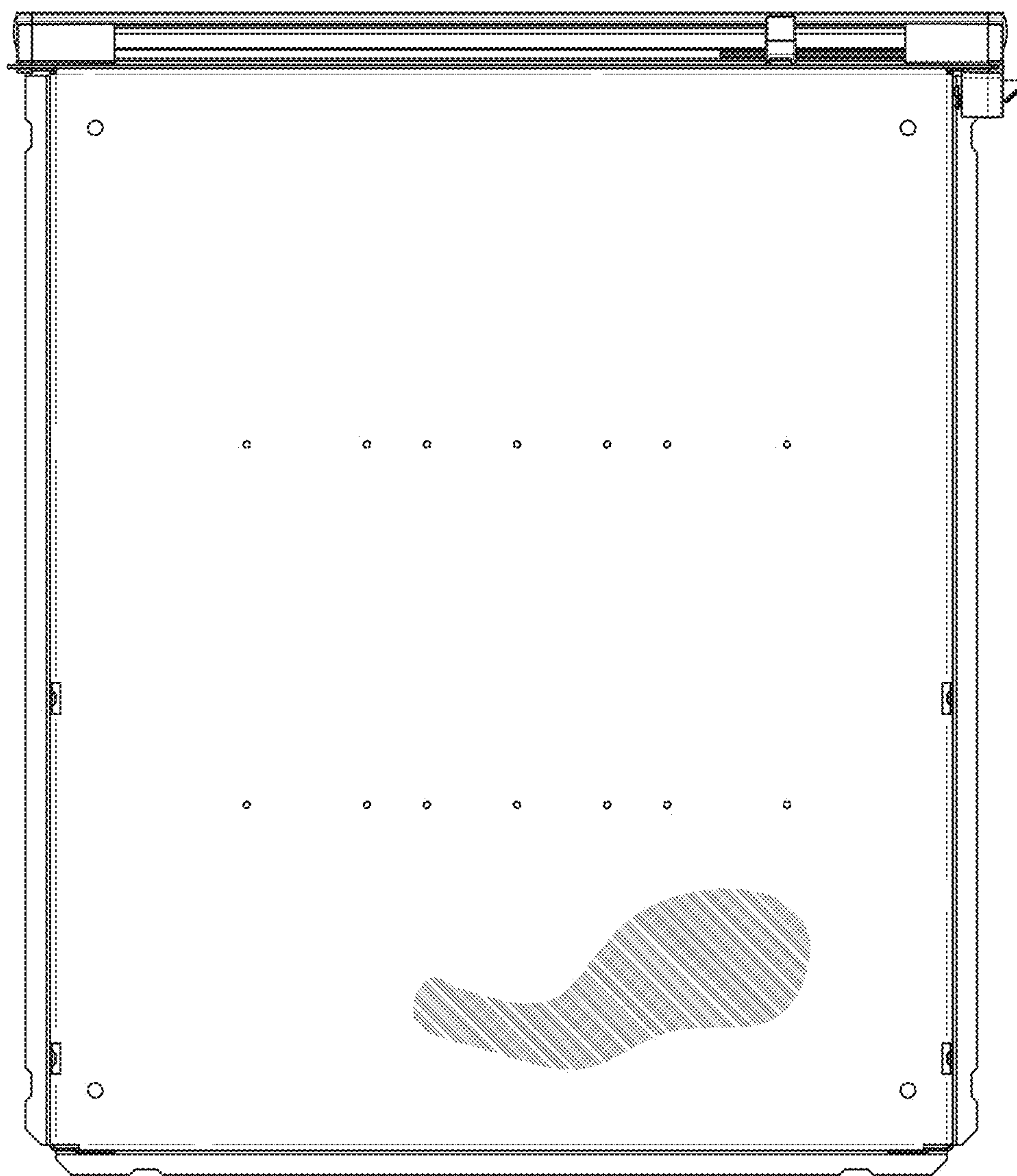


FIG. 13

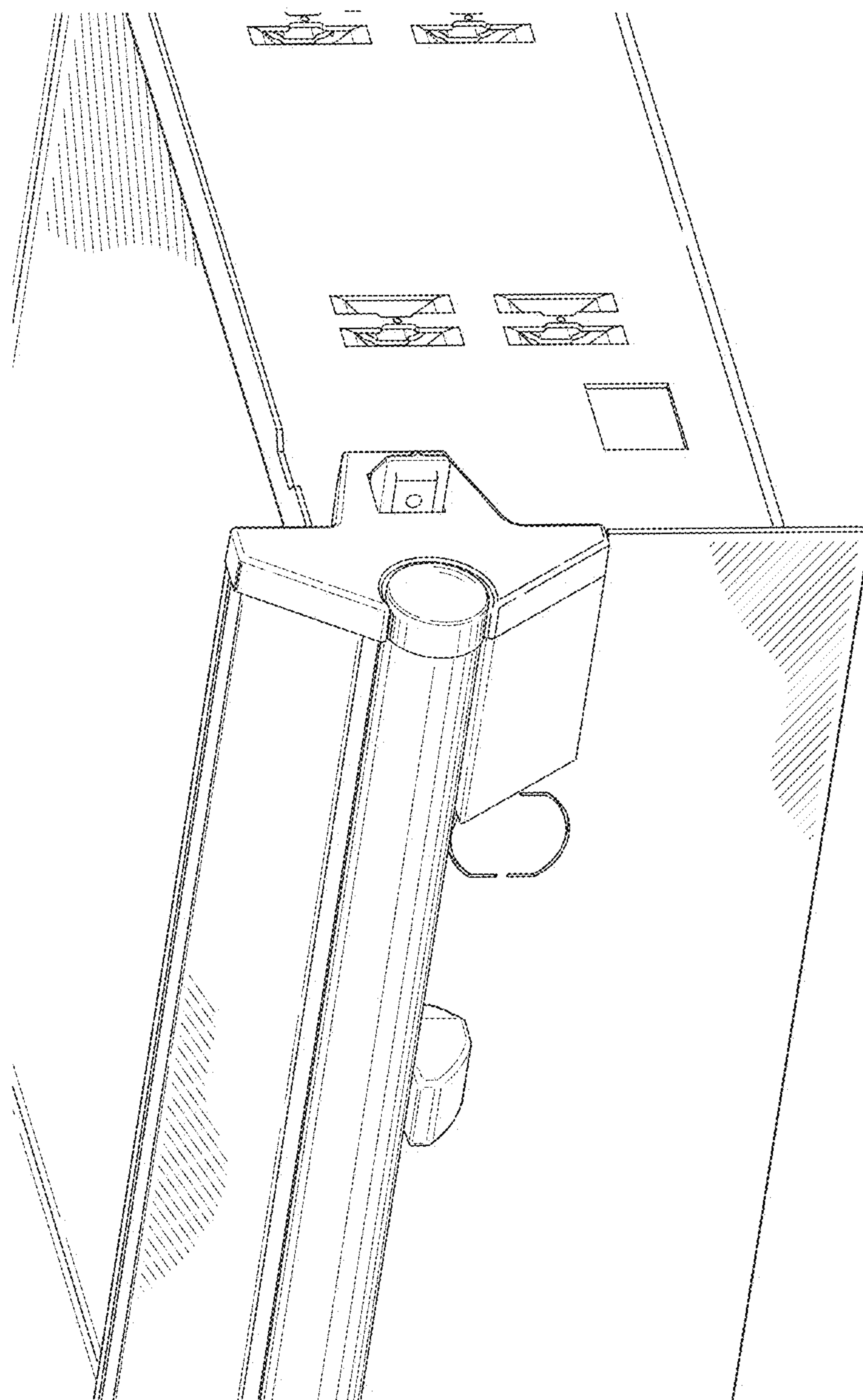


FIG. 14