



US00D690970S

(12) **United States Design Patent**
Boirun et al.

(10) **Patent No.:** **US D690,970 S**
(45) **Date of Patent:** **** Oct. 8, 2013**

(54) **PORTABLE TABLE**

(74) *Attorney, Agent, or Firm* — Sofer & Haroun, LLP

(75) Inventors: **Derek Boirun**, New York, NY (US);
Joseph Blumenthal, New York, NY
(US); **John Gutman**, Stamford, CT (US)

(57) **CLAIM**
We claim the ornamental design for a portable table, as shown and described.

(73) Assignee: **The Platypus Foundry, LLC**, Stamford, CT (US)

DESCRIPTION

(**) Term: **14 Years**

FIG. 1 is a perspective view of a portable table, showing the closed top separately for clarity of disclosure;
FIG. 2 is a top plan view thereof;
FIG. 3 is a perspective view showing the top lid portion of the table separately for clarity of disclosure;
FIG. 4 is a bottom perspective view showing the table top separately for clarity of disclosure;
FIG. 5 is a top perspective view of the table with the top lid removed and the legs removed and in stowed position shown separately for clarity of disclosure;
FIG. 6 is a top perspective view showing the top open with the lid removed shown separately for clarity of disclosure;
FIG. 7 is a perspective view of the leg shown in exploded condition and separately for clarity of disclosure;
FIG. 8 is a perspective view of the leg shown separately for clarity of disclosure;
FIG. 9 is a bottom perspective view of the table in exploded condition;
FIG. 10 is a top perspective view of the table; and,
FIG. 11 is a bottom perspective view of the table.
The hand shown in FIG. 9 is for environmental purposes only and forms no part of the claimed design.

(21) Appl. No.: **29/414,405**

(22) Filed: **Feb. 28, 2012**

(51) **LOC (9) Cl.** **06-03**

(52) **U.S. Cl.**
USPC **D6/692.3**

(58) **Field of Classification Search**
USPC D6/677, 692.3, 692; 108/50.12,
108/150, 158.11; 248/156
See application file for complete search history.

(56) **References Cited**

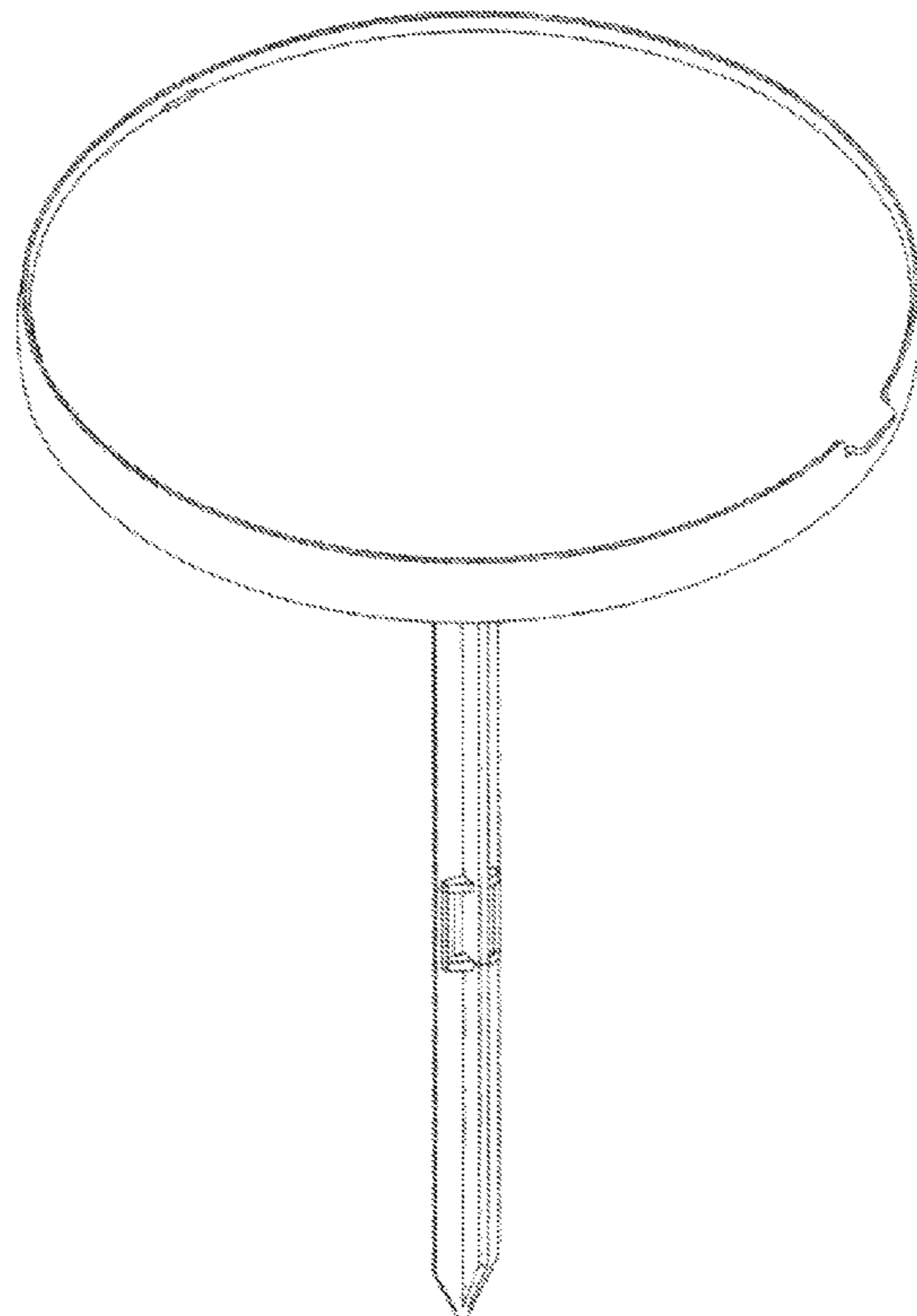
U.S. PATENT DOCUMENTS

1,257,215	A *	2/1918	Greene	248/156
2,877,828	A *	3/1959	Barnette, Jr.	248/156
D366,372	S *	1/1996	Skarda, Jr.	D6/417
D496,181	S *	9/2004	Maness	D6/417
2003/0188673	A1 *	10/2003	Block et al.	108/150

* cited by examiner

Primary Examiner — Janice Seeger

1 Claim, 11 Drawing Sheets



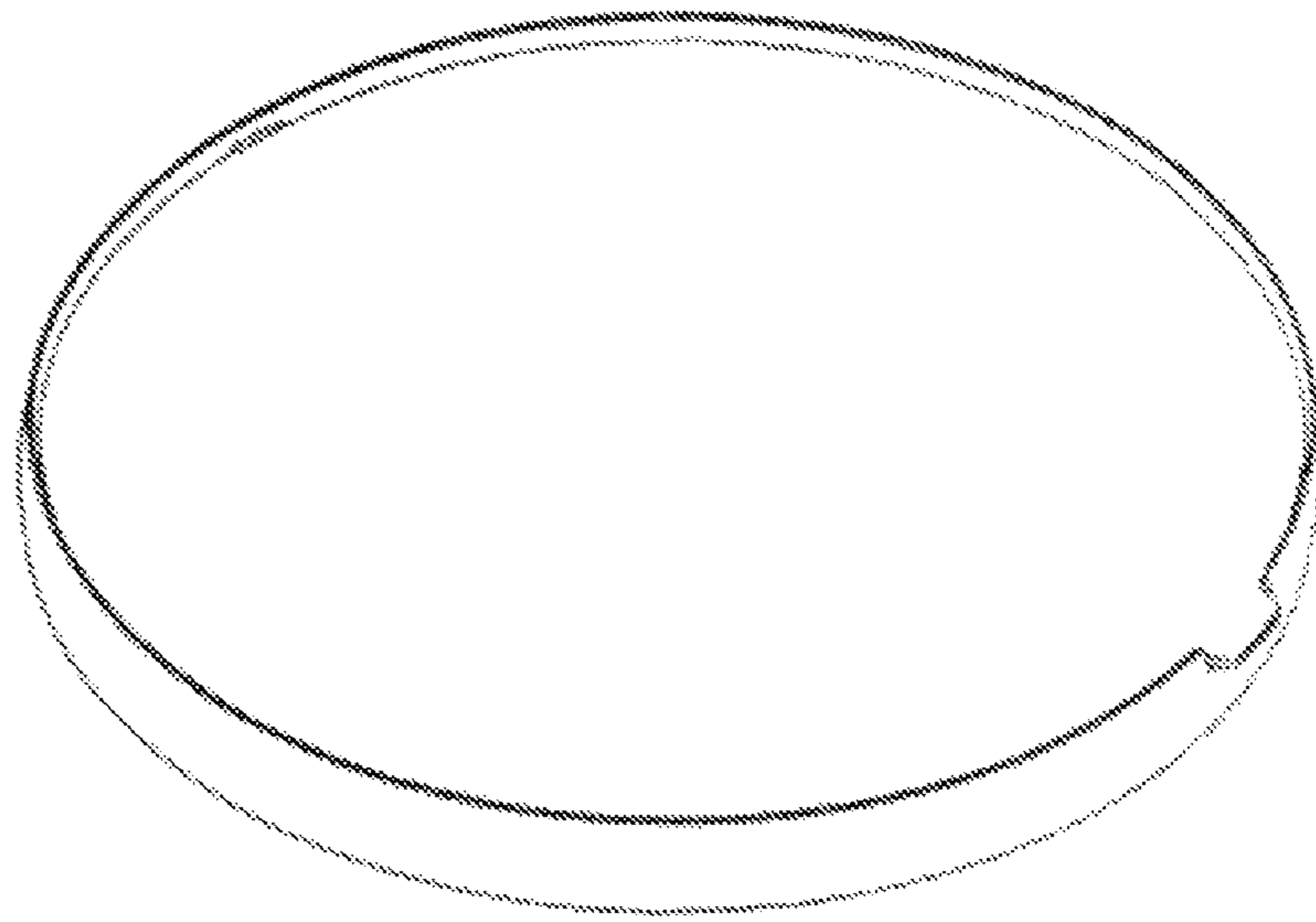


FIGURE 1

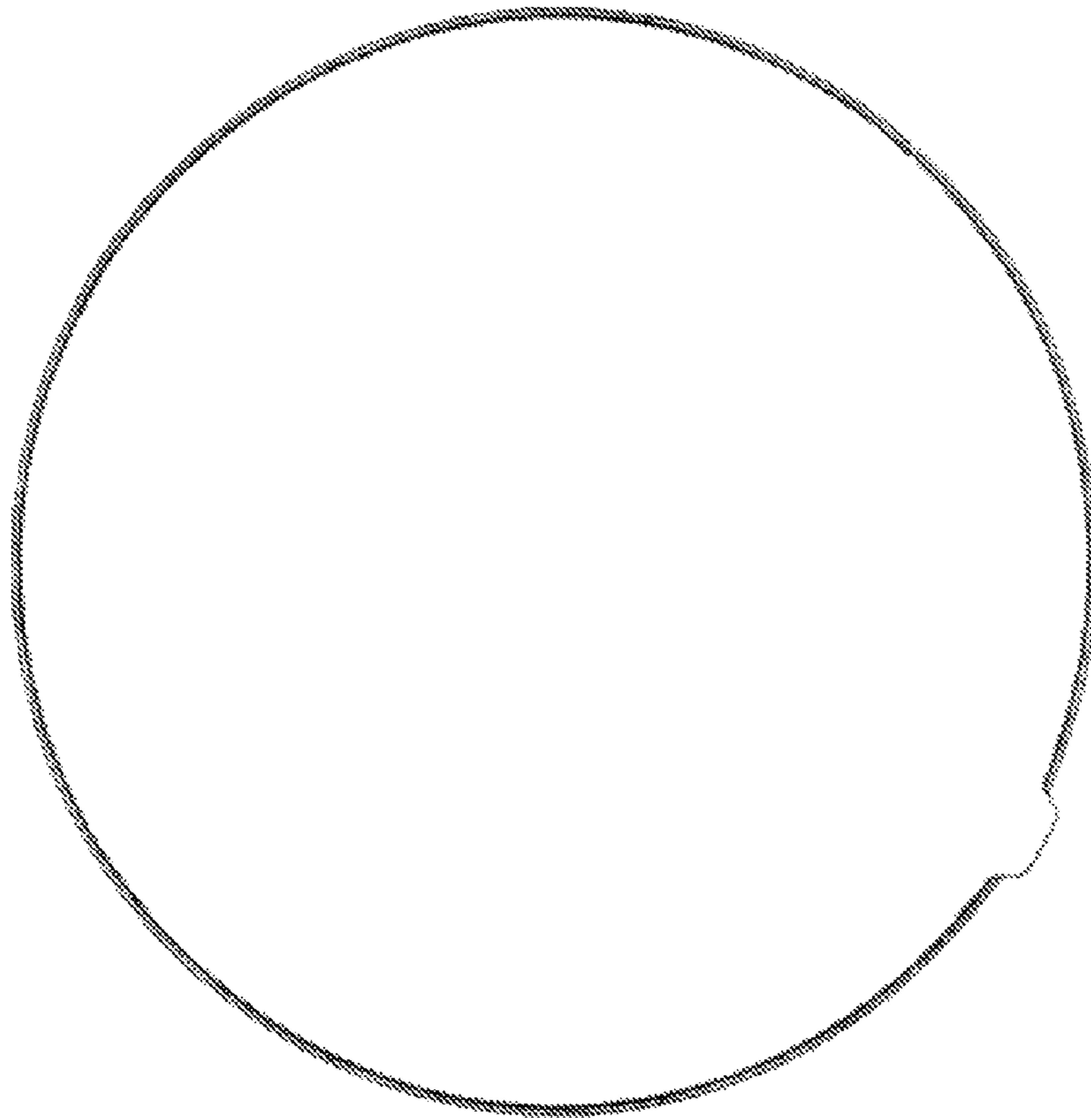


FIGURE 2

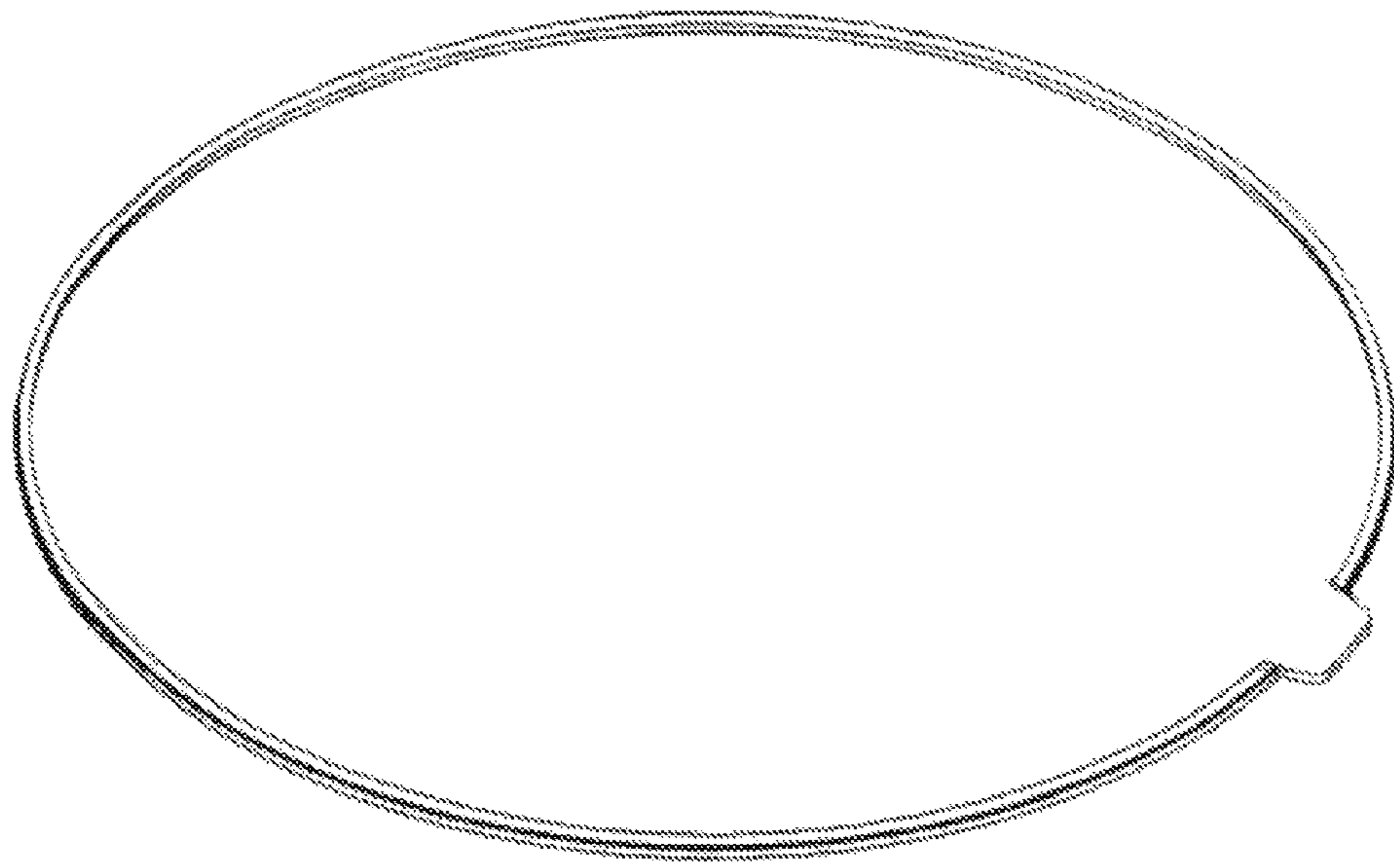


FIGURE 3

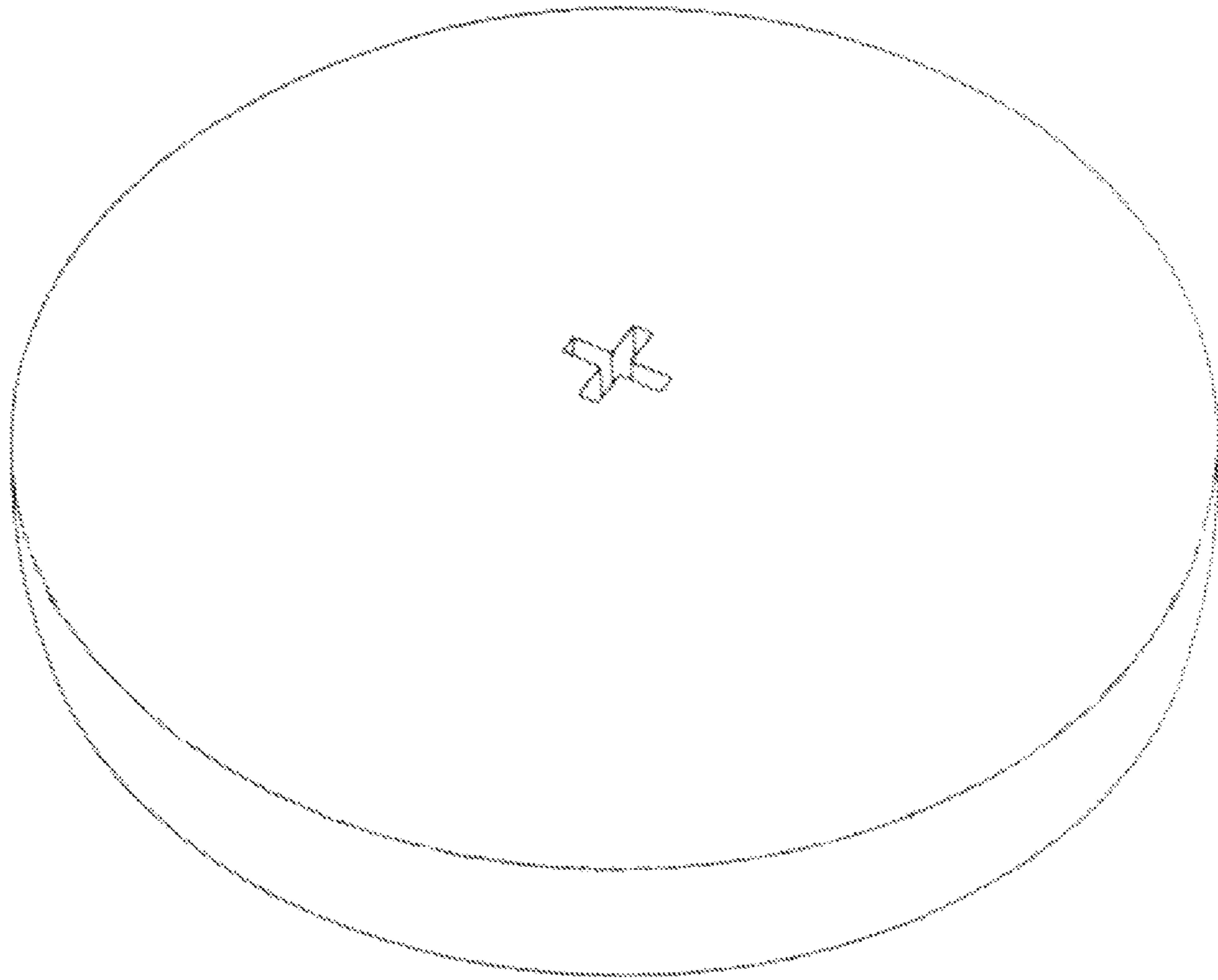


FIGURE 4

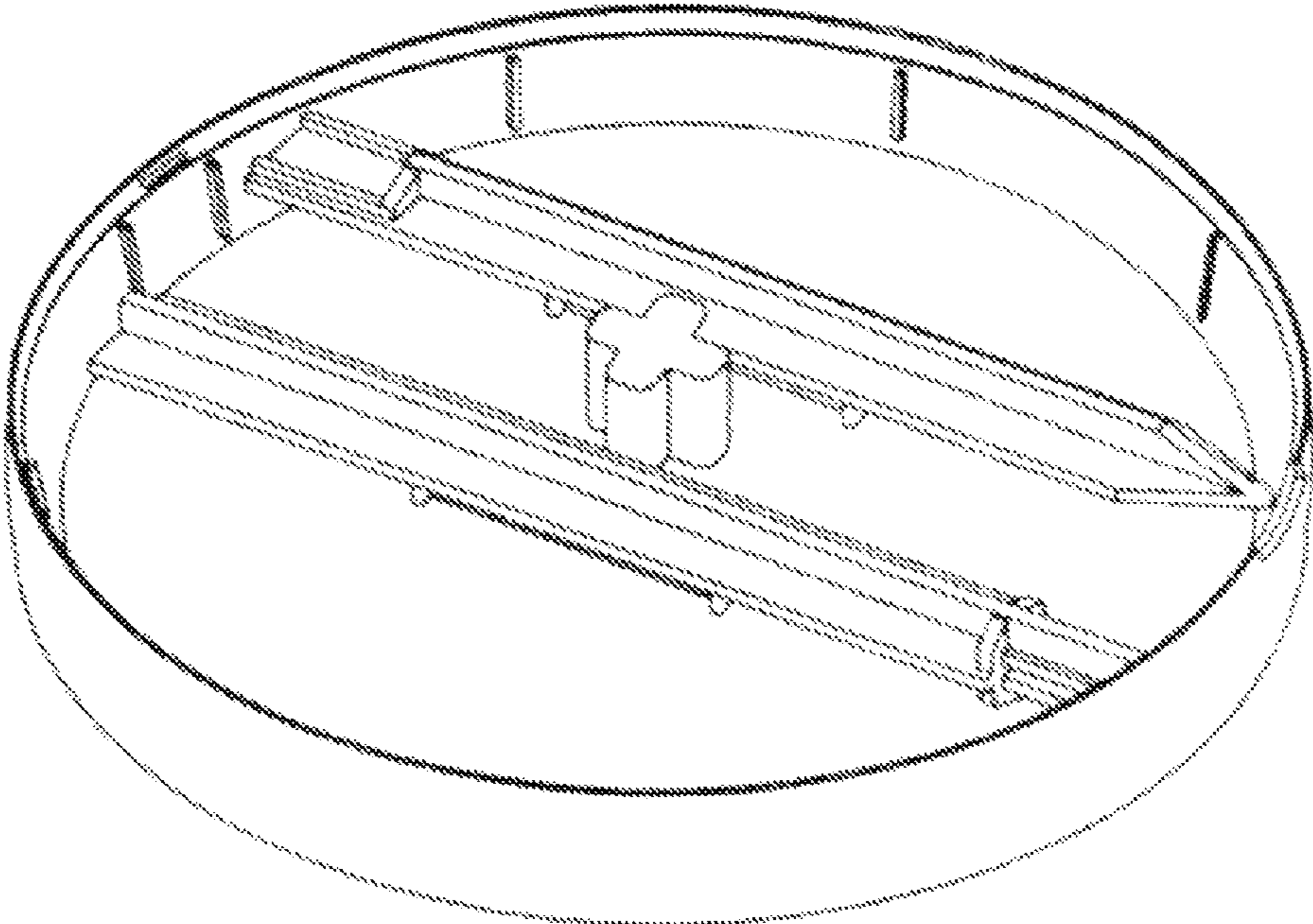


FIGURE 5

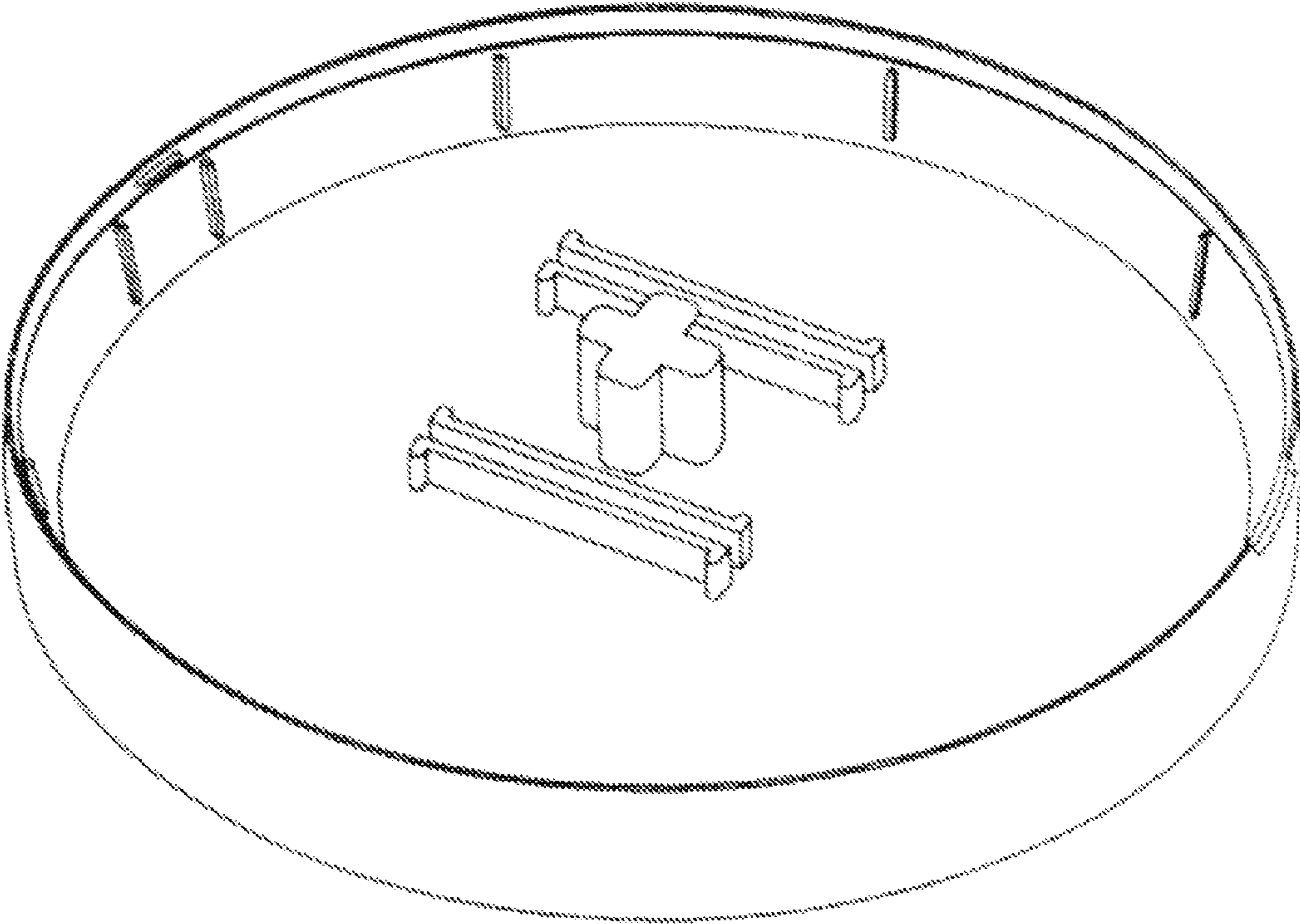


FIGURE 6

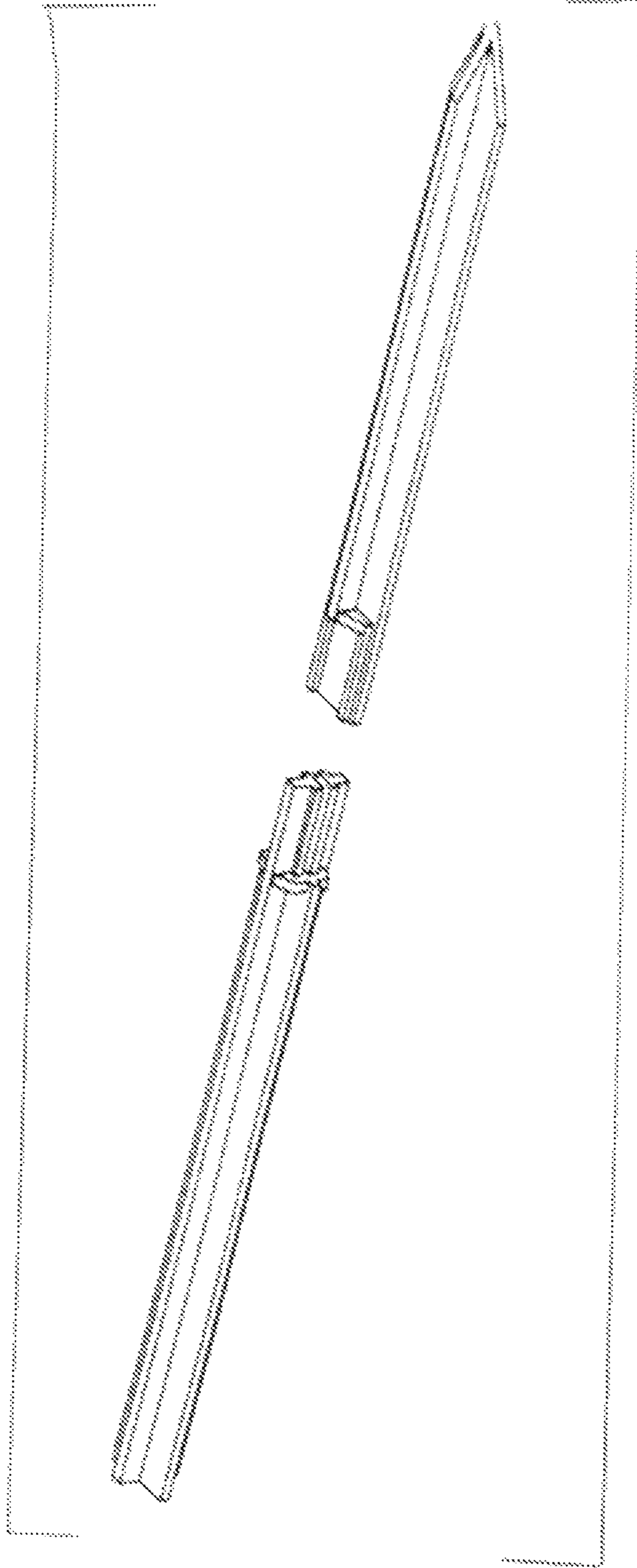


FIGURE 7

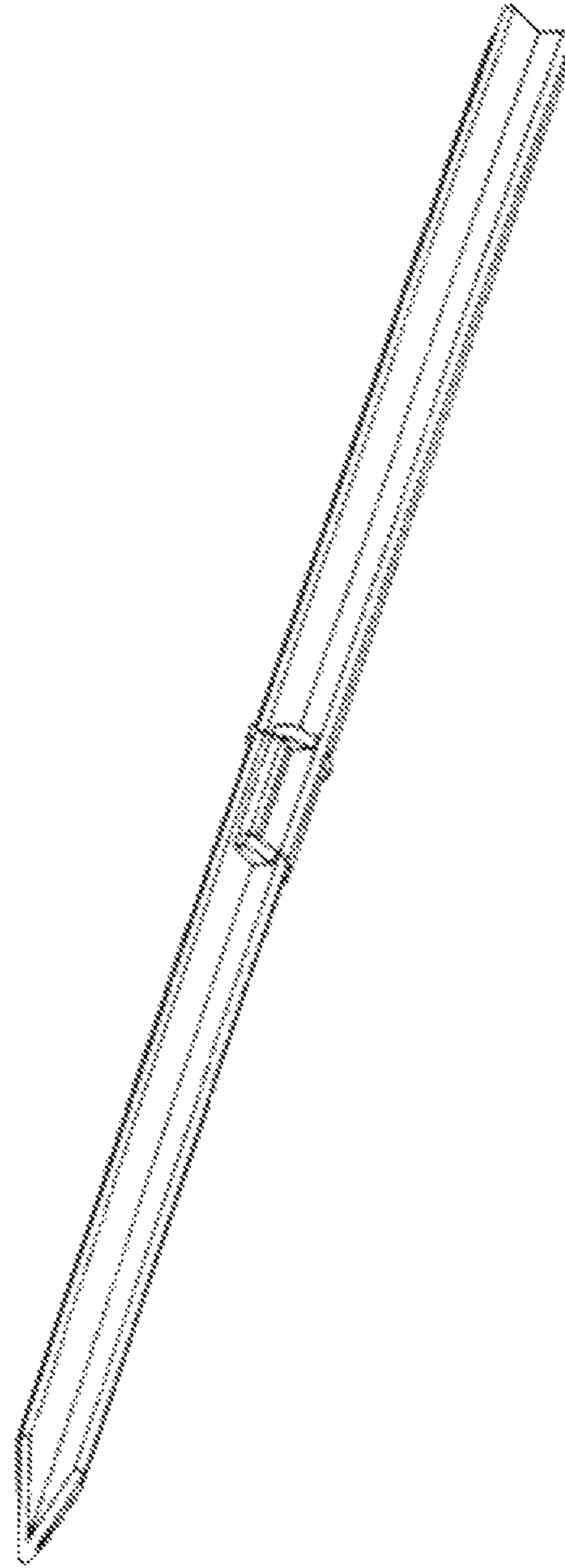


FIGURE 8

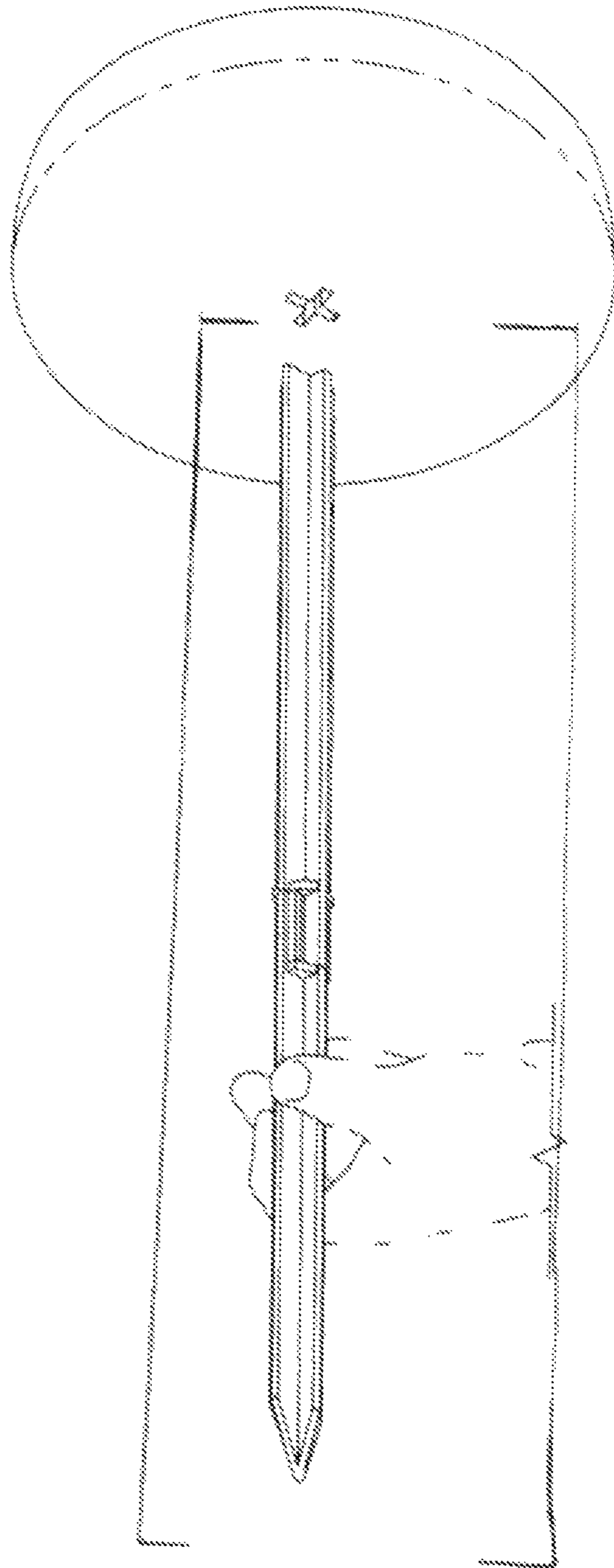


FIGURE 9

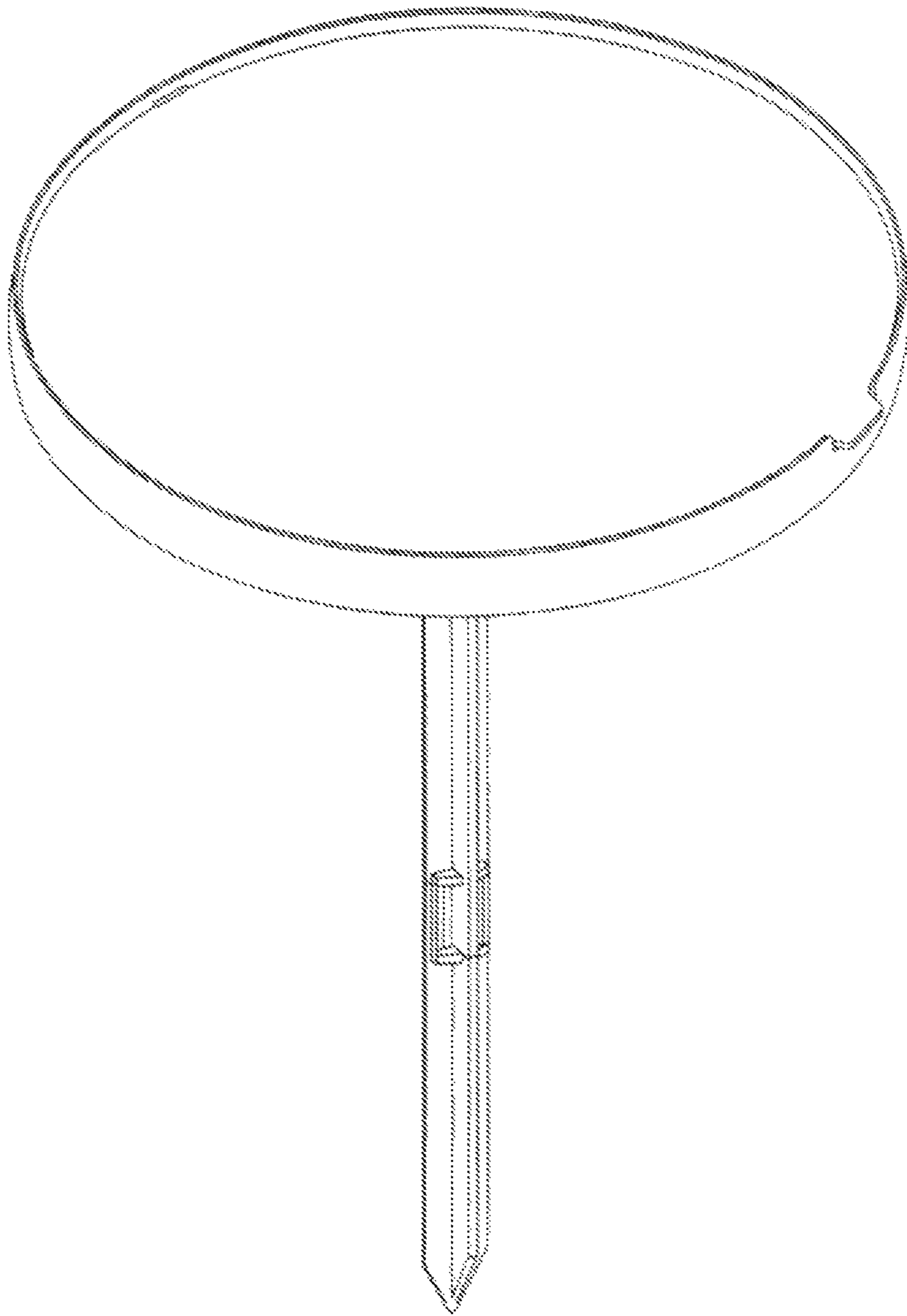


FIGURE 10

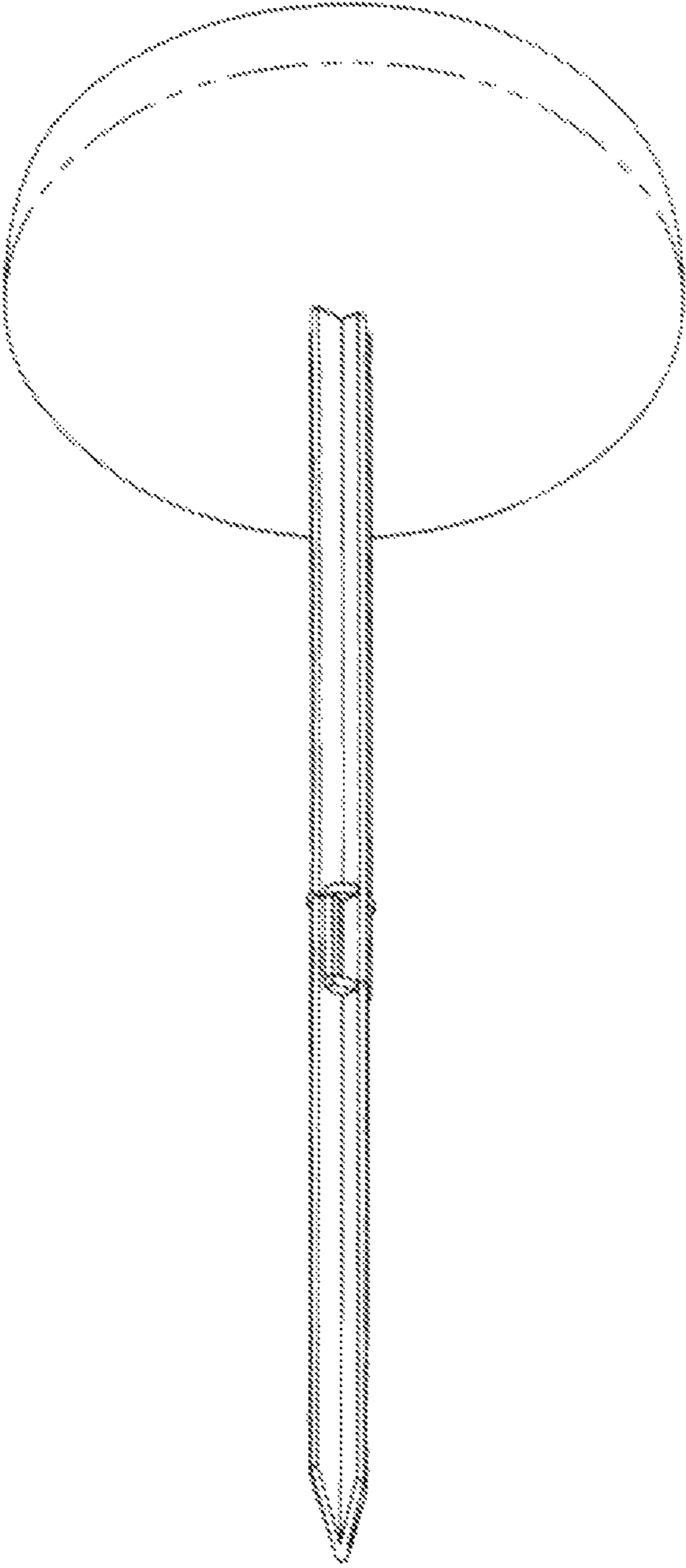


FIGURE 11