



US00D690963S

(12) **United States Design Patent**
Stukenberg

(10) **Patent No.:** **US D690,963 S**

(45) **Date of Patent:** **** Oct. 8, 2013**

(54) **MERCHANDISE DISPLAY BASE**

(75) **Inventor:** **Joseph R. Stukenberg**, Minneapolis, MN (US)

(73) **Assignee:** **Target Brands, Inc.**, Minneapolis, MN (US)

(**) **Term:** **14 Years**

(21) **Appl. No.:** **29/393,744**

(22) **Filed:** **Jun. 8, 2011**

Related U.S. Application Data

(63) Continuation-in-part of application No. 13/096,879, filed on Apr. 28, 2011, which is a continuation-in-part of application No. 12/826,472, filed on Jun. 29, 2010, now abandoned.

(51) **LOC (9) Cl.** **06-06**

(52) **U.S. Cl.**
USPC **D6/663**

(58) **Field of Classification Search**
USPC D6/396-397, 432-434, 445-446, D6/491-492, 509-511, 663-664, 675-675.1; 312/114, 138.1, 198, 204, 224, 237-238, 312/257.1, 278-279, 348.4

See application file for complete search history.

(56) **References Cited**

U.S. PATENT DOCUMENTS

810,243 A 1/1906 Wright
839,639 A 12/1906 Pulfer

(Continued)

OTHER PUBLICATIONS

U.S. Appl. No. 29/358,811, filed Apr. 1, 2010 (8 Pages).

Primary Examiner — Kelley Donnelly

(74) *Attorney, Agent, or Firm* — Griffiths & Seaton PLLC;
JoAnn M. Seaton

(57) **CLAIM**

The ornamental design for a merchandise display base, as shown and described.

DESCRIPTION

FIG. 1 is a front, perspective view of a first embodiment of a merchandise display base showing our new design;

FIG. 2 is a front view thereof;

FIG. 3 is a rear view thereof;

FIG. 4 is a right side view thereof, the left side view being a mirror image of the right side view;

FIG. 5 is a top view thereof; and

FIG. 6 is a bottom view thereof.

FIG. 7 is a front, perspective view of a second embodiment of a merchandise display base showing our new design;

FIG. 8 is a front view thereof;

FIG. 9 is a rear view thereof;

FIG. 10 is a right side view thereof, the left side view being a mirror image of the right side view;

FIG. 11 is a top view thereof; and

FIG. 12 is a bottom view thereof.

FIG. 13 is a front, perspective view of a third embodiment of a merchandise display base showing our new design;

FIG. 14 is a front view thereof;

FIG. 15 is a rear view thereof;

FIG. 16 is a right side view thereof, the left side view being a mirror image of the right side view;

FIG. 17 is a top view thereof; and

FIG. 18 is a bottom view thereof.

FIG. 19 is a front, perspective view of the third embodiment of the merchandise display base as illustrated in FIG. 13 showing our new design with additional environmental subject matter;

FIG. 20 is a front view thereof;

FIG. 21 is a rear view thereof;

FIG. 22 is a right side view thereof, the left side view being a mirror image of the right side view;

FIG. 23 is a top view thereof; and

FIG. 24 is a bottom view thereof.

FIG. 25 is a front, perspective view of a fourth embodiment of a merchandise display base showing our new design;

FIG. 26 is a front view thereof;

FIG. 27 is a rear view thereof;

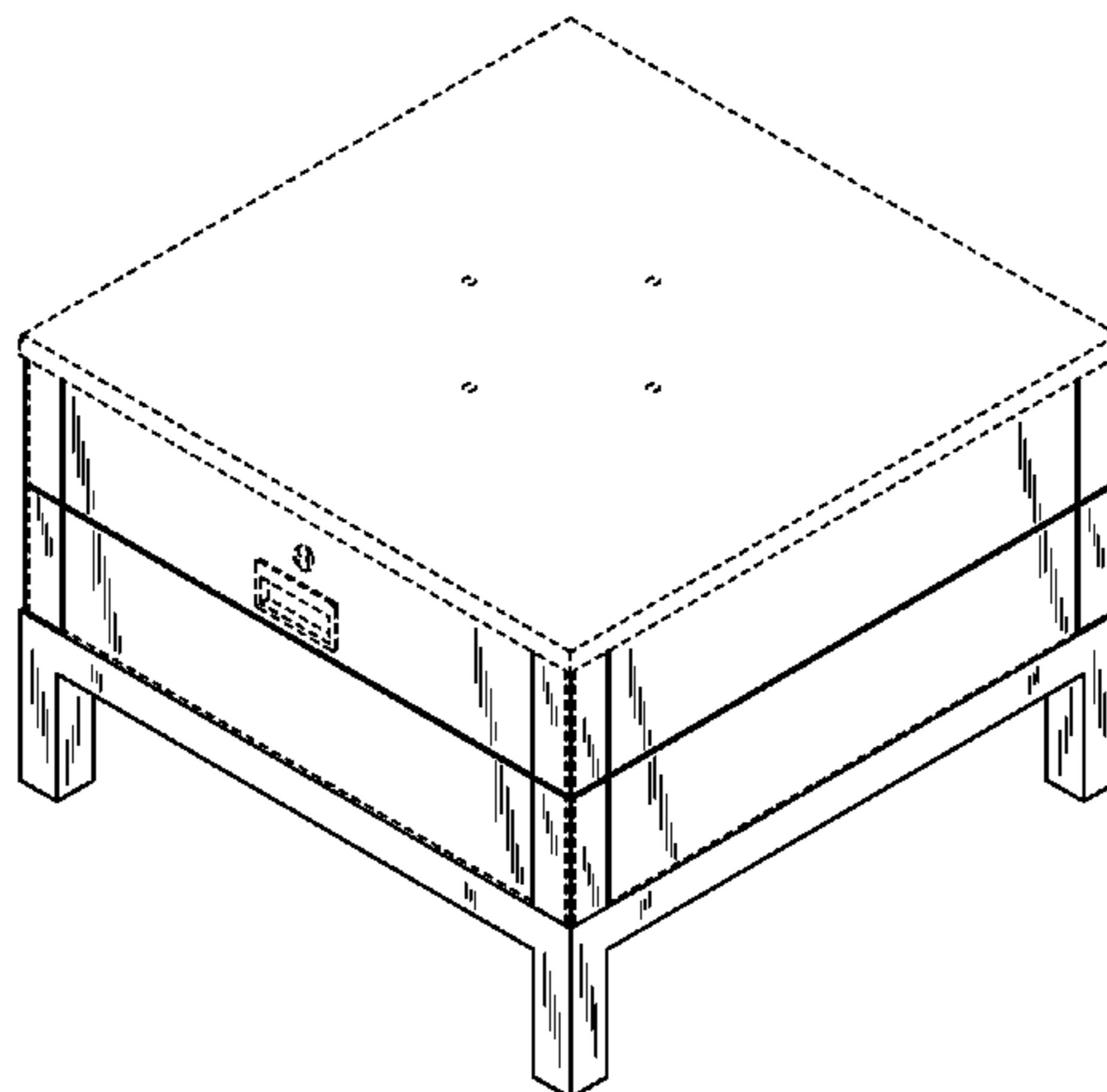
FIG. 28 is a right side view thereof, the left side view being a mirror image of the right side view;

FIG. 29 is a top view thereof; and,

FIG. 30 is a bottom view thereof.

The features shown in broken lines depict environmental subject matter only and form no part of the claimed design.

1 Claim, 30 Drawing Sheets



(56)

References Cited

U.S. PATENT DOCUMENTS

870,314 A 11/1907 Pierce
 1,435,395 A 11/1922 Howard
 1,528,243 A 3/1925 Briggs
 1,647,889 A 11/1927 Saunders
 1,766,409 A 6/1930 Stocks
 1,861,671 A 6/1932 Webb
 2,171,378 A 8/1939 Urbanek
 2,285,962 A 6/1942 Foulkes
 3,716,281 A 2/1973 Rudder, Jr.
 D242,192 S 11/1976 Robinson
 D243,981 S 4/1977 Carter
 D244,889 S 7/1977 Neuschwander
 4,154,027 A 5/1979 Searcy
 D257,995 S 1/1981 Mikkelsen et al.
 4,288,948 A 9/1981 Harris
 D267,293 S 12/1982 Georgi
 D273,923 S 5/1984 Matthias
 5,447,366 A 9/1995 Cole
 D370,365 S * 6/1996 Brunner et al. D6/445
 5,529,192 A 6/1996 Conen et al.
 D401,443 S 11/1998 Zaidman
 D410,620 S 6/1999 Sacco et al.
 D426,033 S 5/2000 Rooks
 D429,085 S 8/2000 Welty et al.
 D450,486 S 11/2001 Stafford et al.
 D461,061 S 8/2002 Kent
 D465,351 S * 11/2002 Tobin, Jr. D6/439
 D493,302 S * 7/2004 Sabo et al. D6/440
 D503,564 S * 4/2005 Juneau et al. D6/446
 D532,999 S * 12/2006 Domack et al. D6/480
 D533,373 S * 12/2006 Juneau D6/479
 D533,731 S * 12/2006 Boerner et al. D6/436
 D533,732 S * 12/2006 Juneau D6/446
 D547,569 S 7/2007 Yan
 D554,894 S * 11/2007 Thompson D6/440
 D554,897 S * 11/2007 Mayer et al. D6/446
 D559,583 S * 1/2008 Zambelli D6/436
 D560,388 S * 1/2008 Bacon et al. D6/441
 D560,392 S * 1/2008 Kingsley D6/445
 D560,925 S * 2/2008 Lewis D6/438
 D563,121 S * 3/2008 Bates D6/446
 D569,127 S * 5/2008 Kanthasamy D6/436
 D573,369 S 7/2008 Sparkowski
 D577,930 S * 10/2008 Thompson D6/440
 D579,689 S * 11/2008 Greiner D6/438

D584,078 S 1/2009 Weigland
 D586,584 S 2/2009 Hung
 D587,033 S * 2/2009 Martin et al. D6/436
 D587,483 S * 3/2009 Zambelli D6/436
 D587,494 S 3/2009 Cramer
 D588,835 S * 3/2009 Domack et al. D6/445
 D590,631 S * 4/2009 Greiner D6/438
 D599,134 S * 9/2009 Jeup D6/441
 D599,136 S * 9/2009 Jeup D6/446
 D599,577 S 9/2009 Lara
 D600,473 S * 9/2009 Lowsky D6/440
 D605,424 S * 12/2009 Lovegrove D6/445
 D609,496 S * 2/2010 Kanthasamy D6/445
 D609,497 S * 2/2010 Kanthasamy D6/446
 D609,937 S 2/2010 Ricereto
 D611,733 S 3/2010 Stukenberg
 D611,734 S 3/2010 Stukenberg et al.
 D611,735 S 3/2010 Stukenberg
 D613,319 S * 4/2010 Okamoto et al. D15/145
 D617,558 S 6/2010 Myers
 D622,976 S 9/2010 Lovegrove
 D627,994 S * 11/2010 Wahl et al. D6/495
 D628,828 S * 12/2010 Everson D6/446
 D632,902 S * 2/2011 Rafieha D6/470
 D637,421 S 5/2011 Theisen et al.
 D637,834 S * 5/2011 Lewis D6/446
 D641,988 S 7/2011 Giroux
 D649,192 S 11/2011 Beukema et al.
 D653,475 S 2/2012 Thompson
 D654,719 S * 2/2012 Stukenberg D6/418
 D655,108 S 3/2012 Majrani
 D655,946 S * 3/2012 Sexton D6/470
 D656,346 S * 3/2012 Schopmeyer D6/492
 D657,591 S 4/2012 Sanchez
 D657,978 S 4/2012 Hamm et al.
 D662,725 S * 7/2012 Hill D6/438
 D663,139 S * 7/2012 Zambelli D6/470
 D668,885 S * 10/2012 Tovin D6/436
 D669,704 S * 10/2012 Zambelli D6/436
 D675,020 S 1/2013 Mu et al.
 D684,396 S * 6/2013 Stukenberg et al. D6/657
 D685,588 S * 7/2013 Stukenberg et al. D6/657
 2002/0078865 A1 * 6/2002 Kuvshinikov 108/143
 2002/0084726 A1 7/2002 O'Neill et al.
 2005/0230338 A1 10/2005 Farinola et al.
 2009/0188875 A1 7/2009 Wade et al.

* cited by examiner

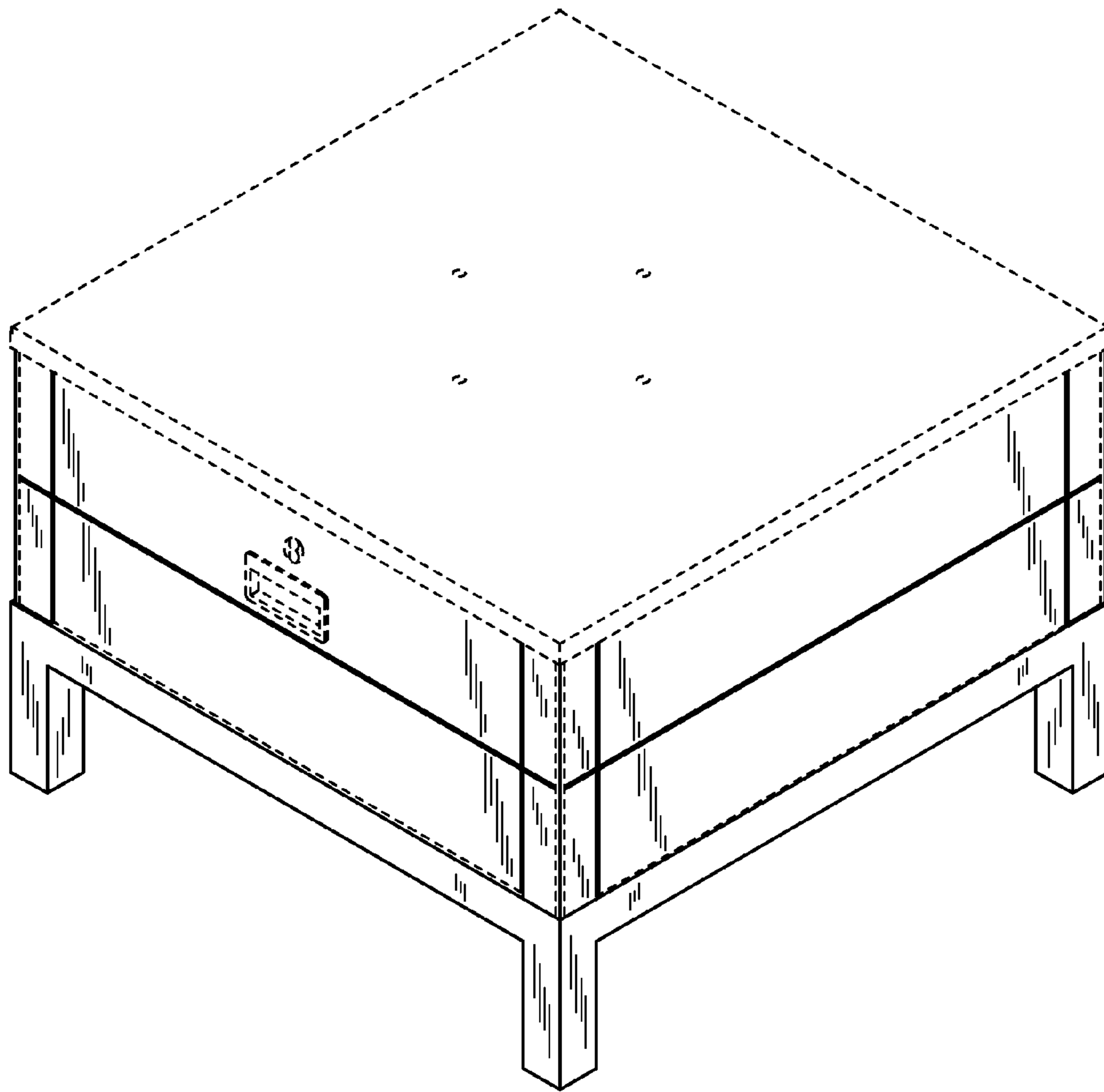


FIG. 1

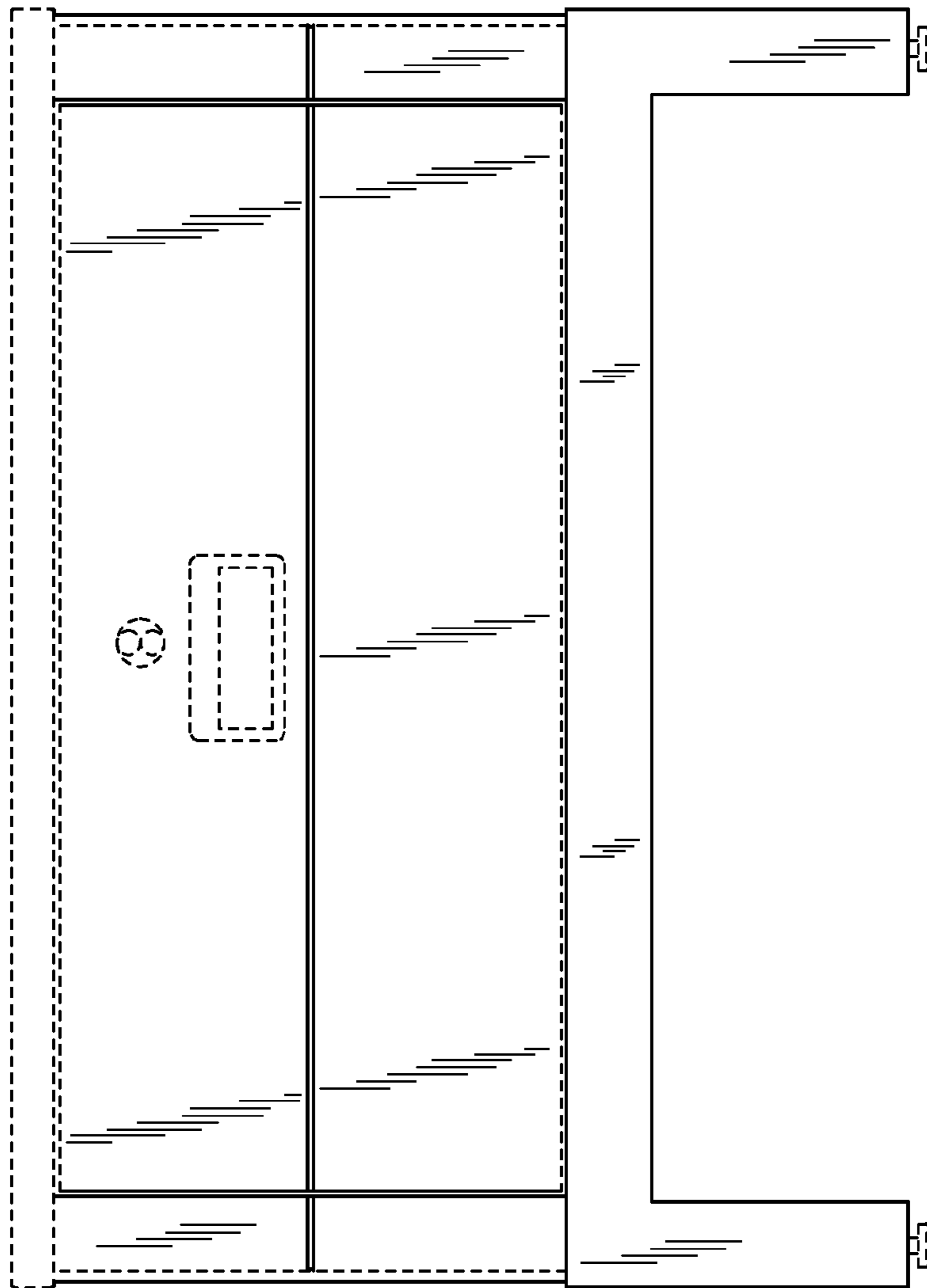


FIG. 2

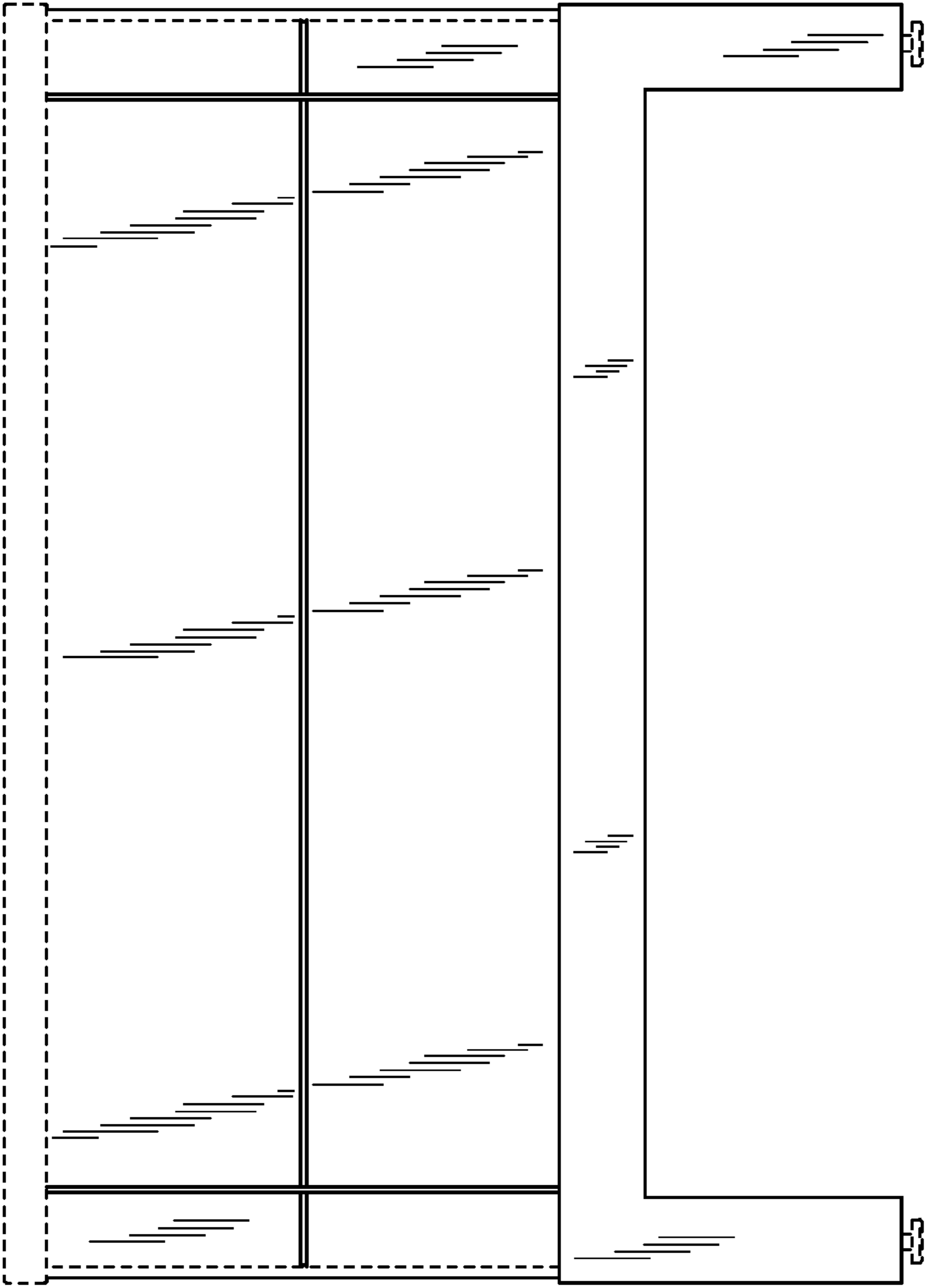


FIG. 3

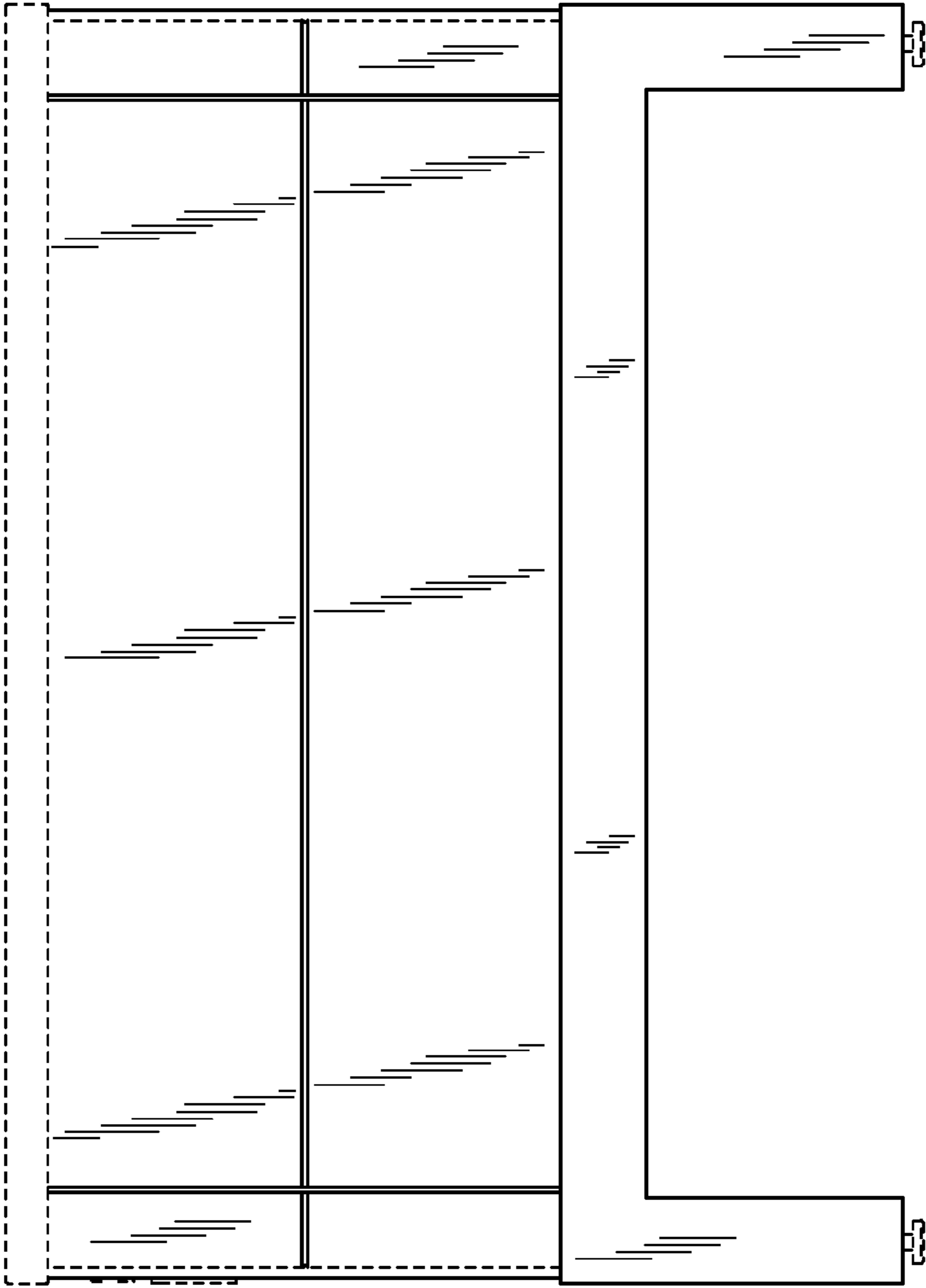


FIG. 4

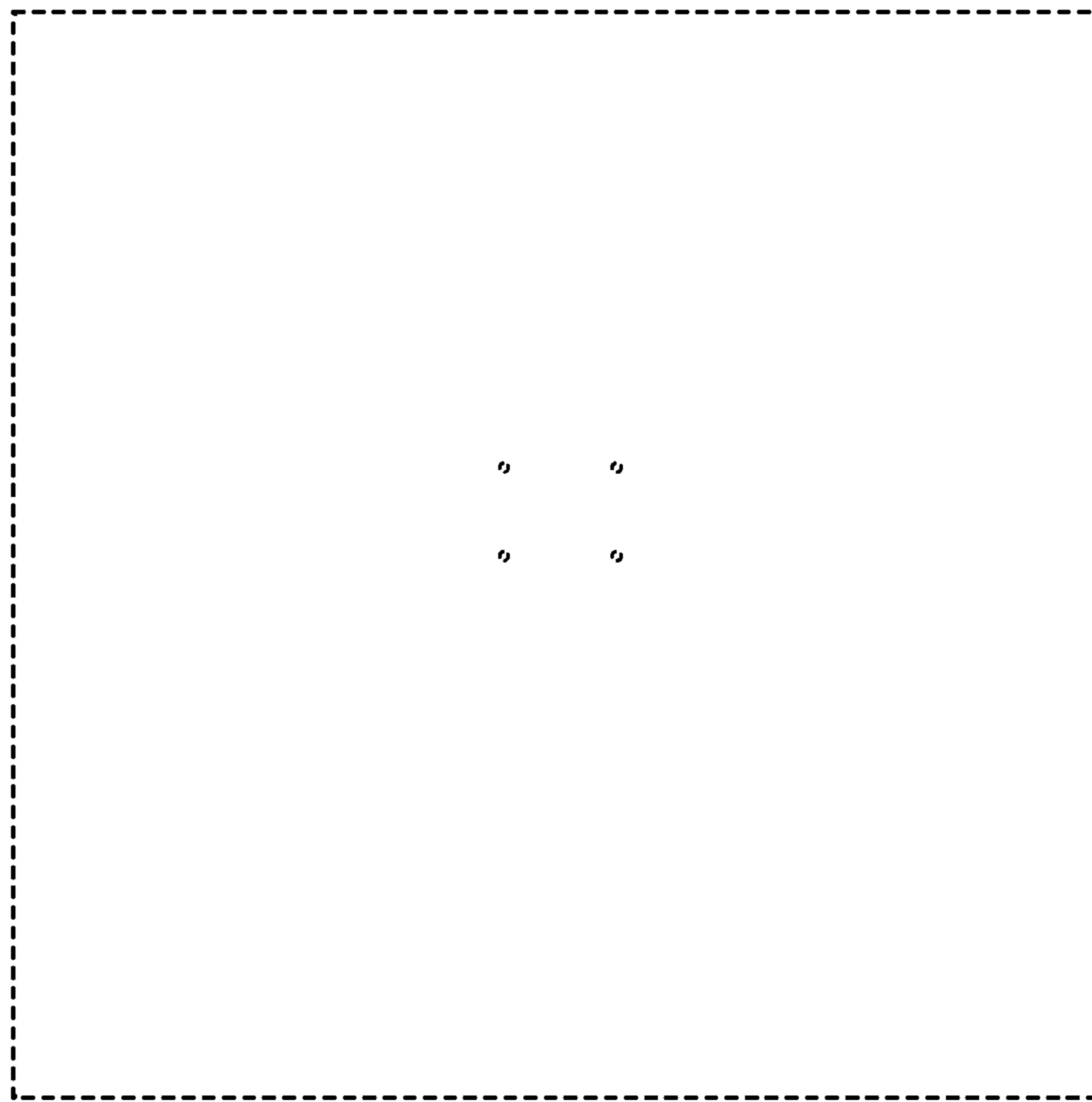


FIG. 5

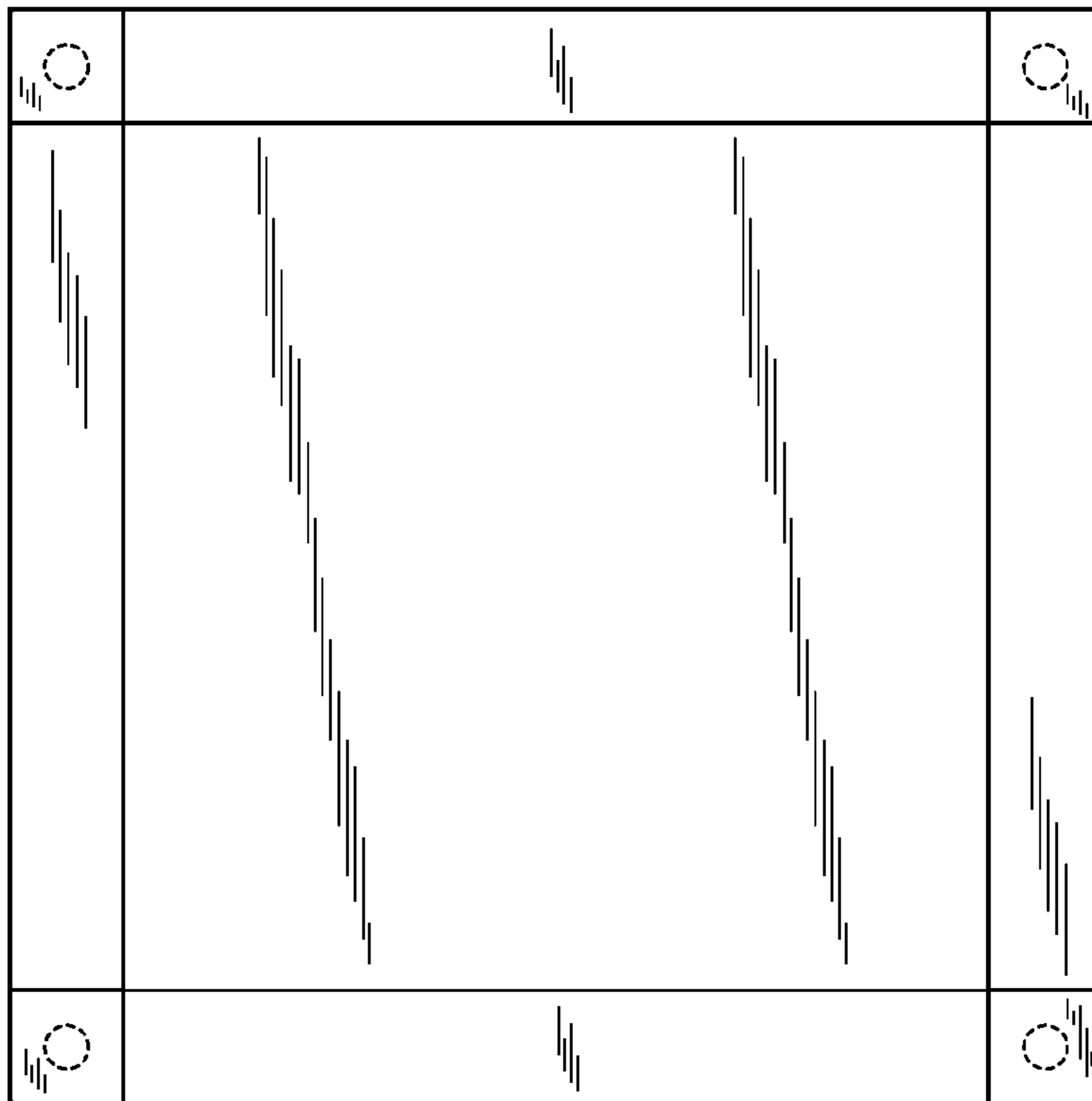


FIG. 6

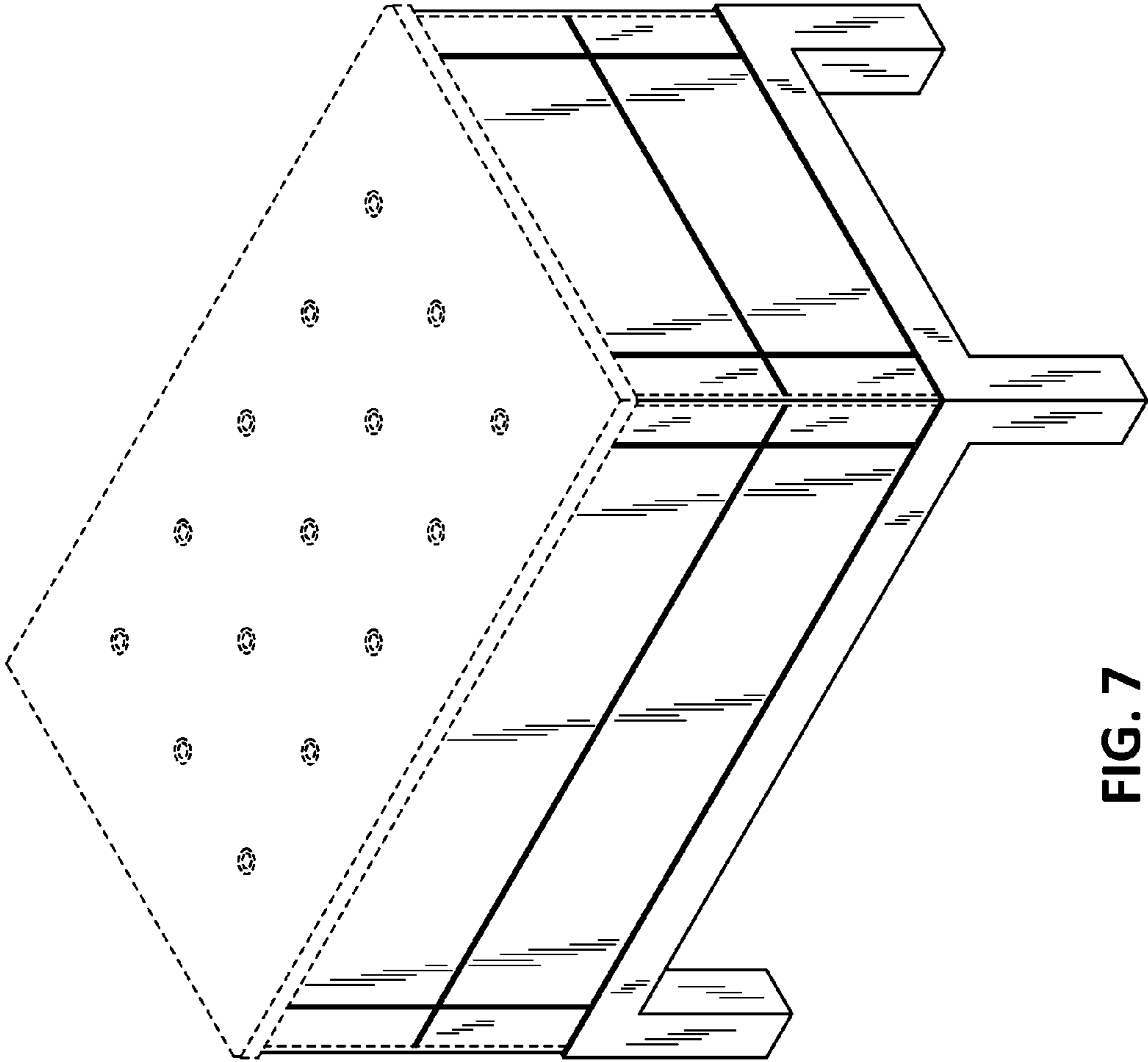


FIG. 7

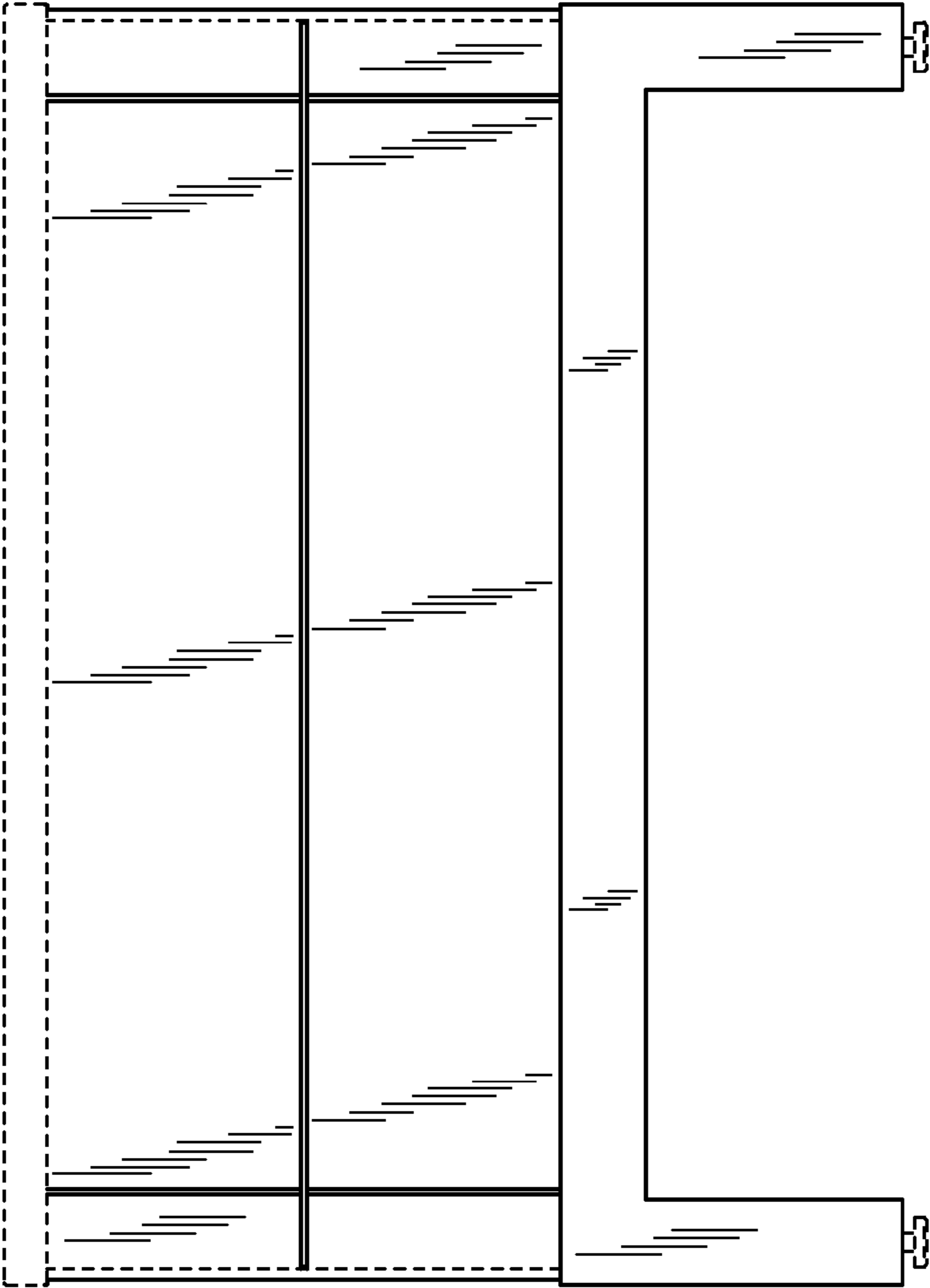


FIG. 8

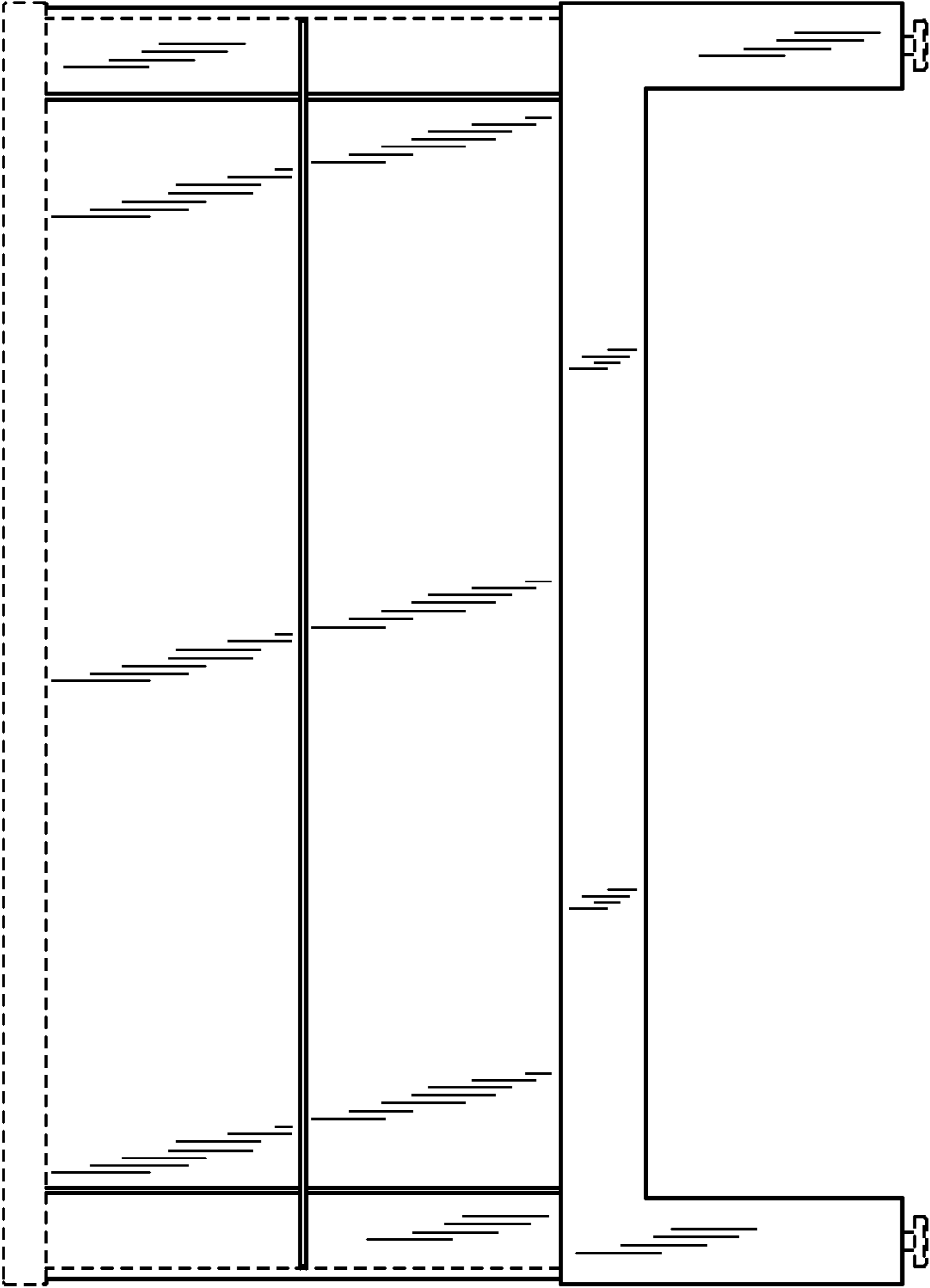


FIG. 9

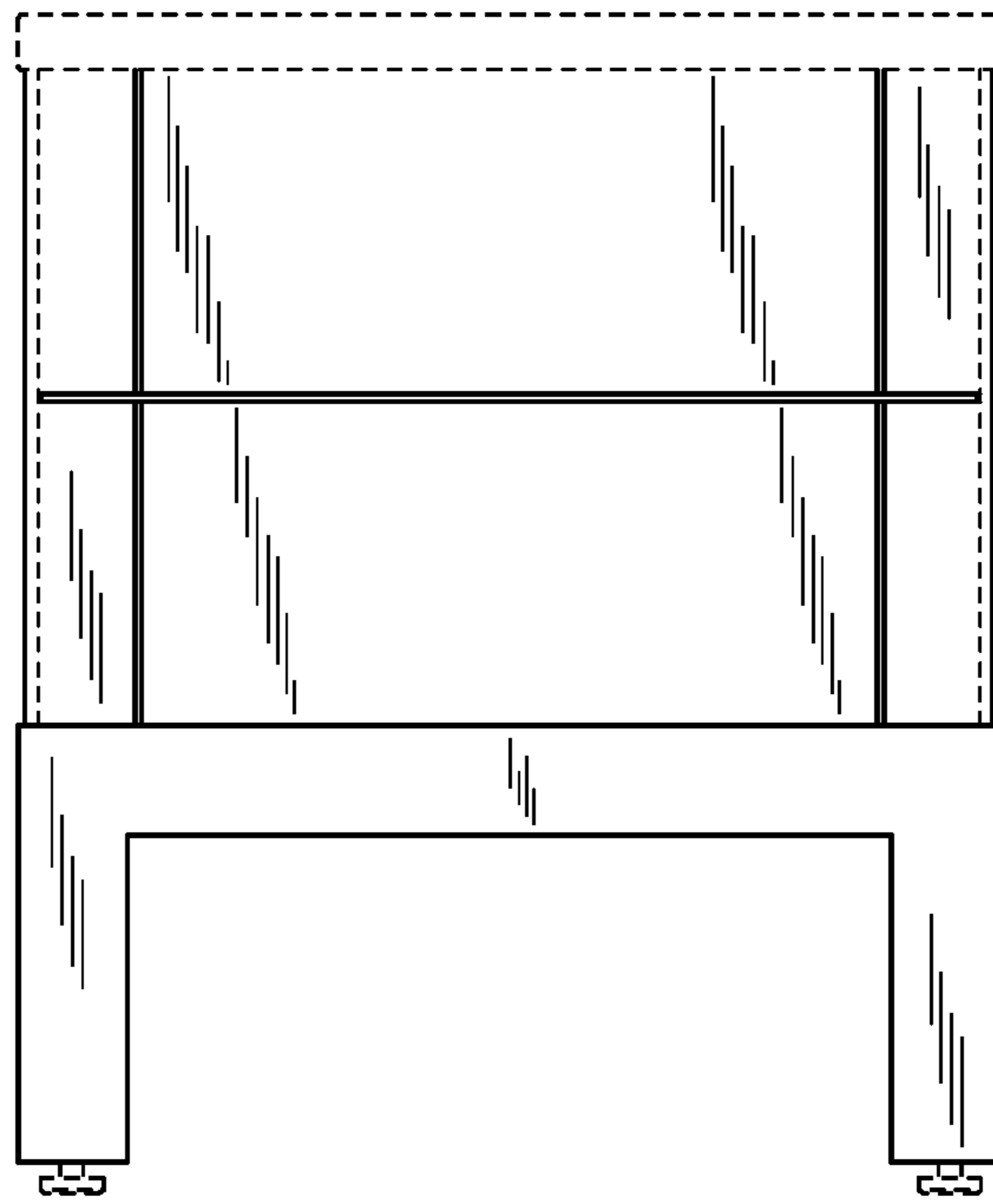


FIG. 10

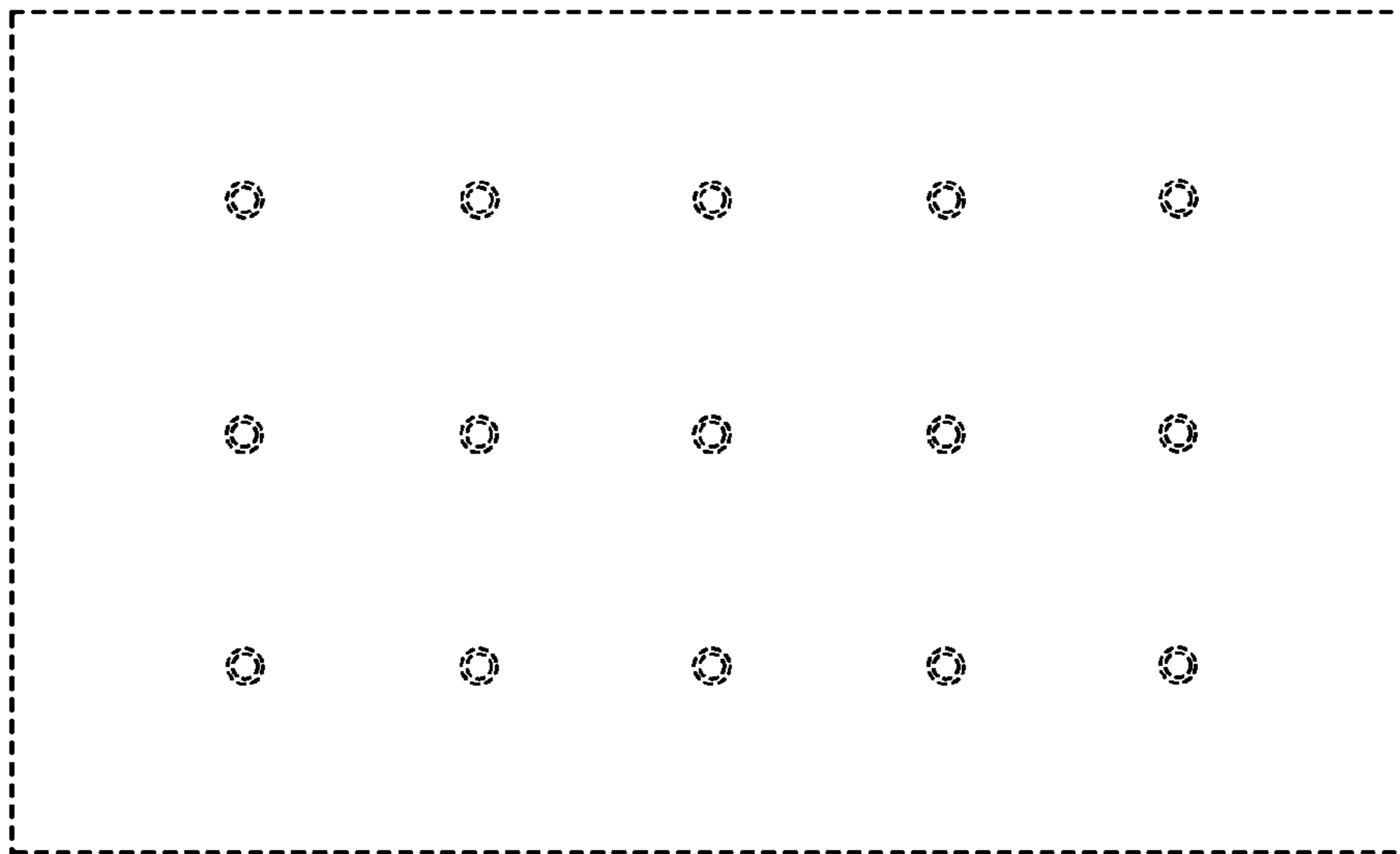


FIG. 11

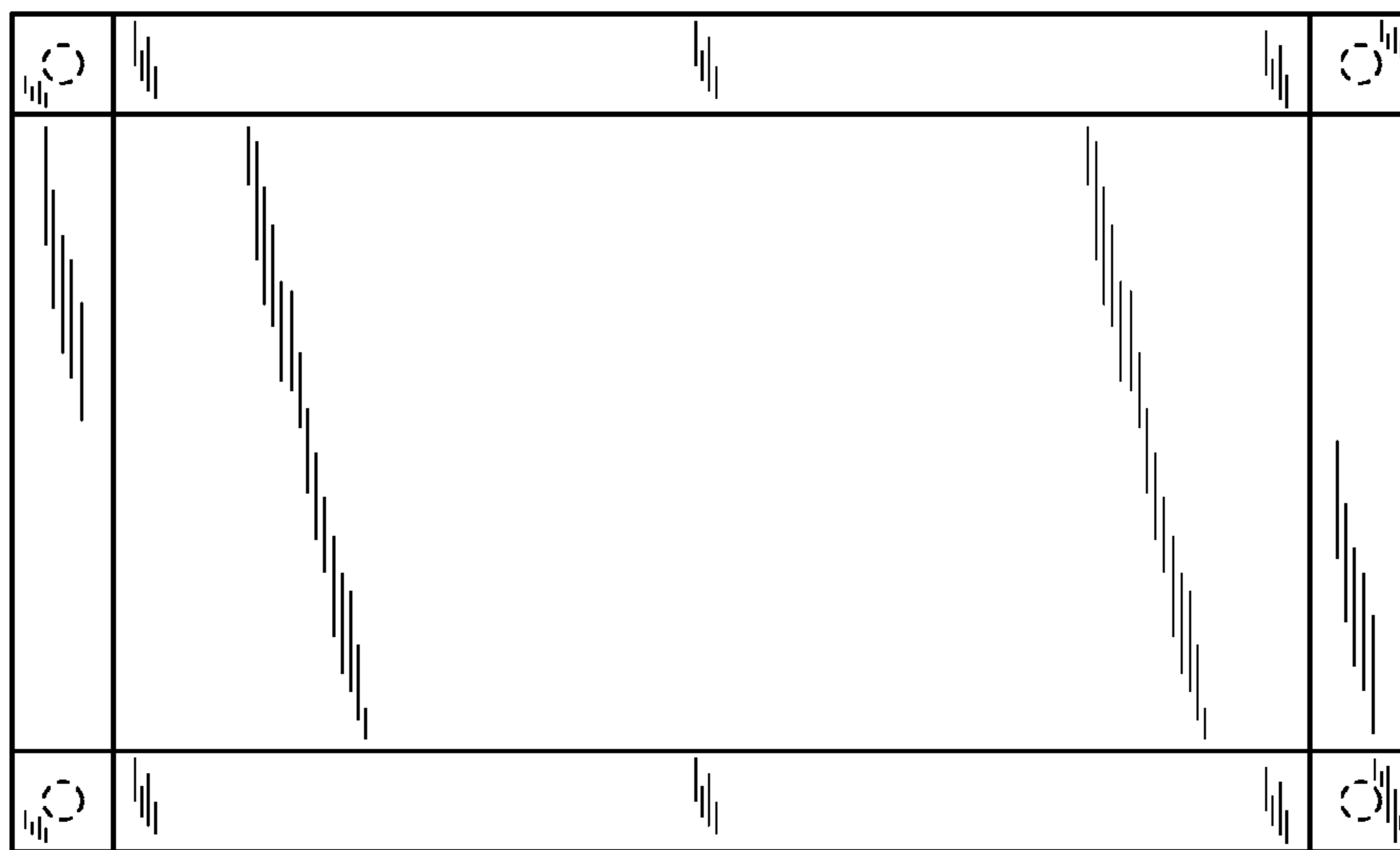


FIG. 12

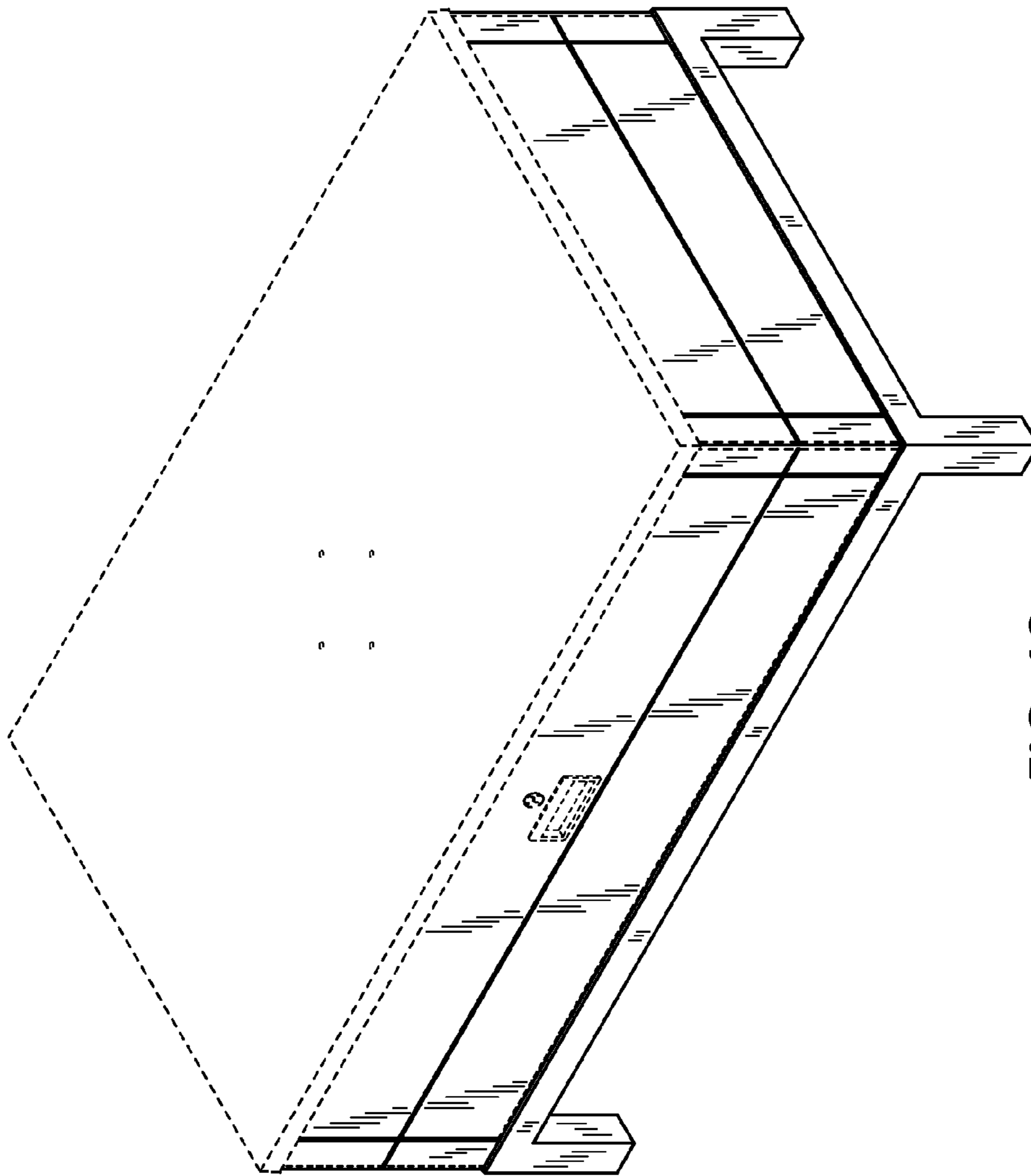


FIG. 13

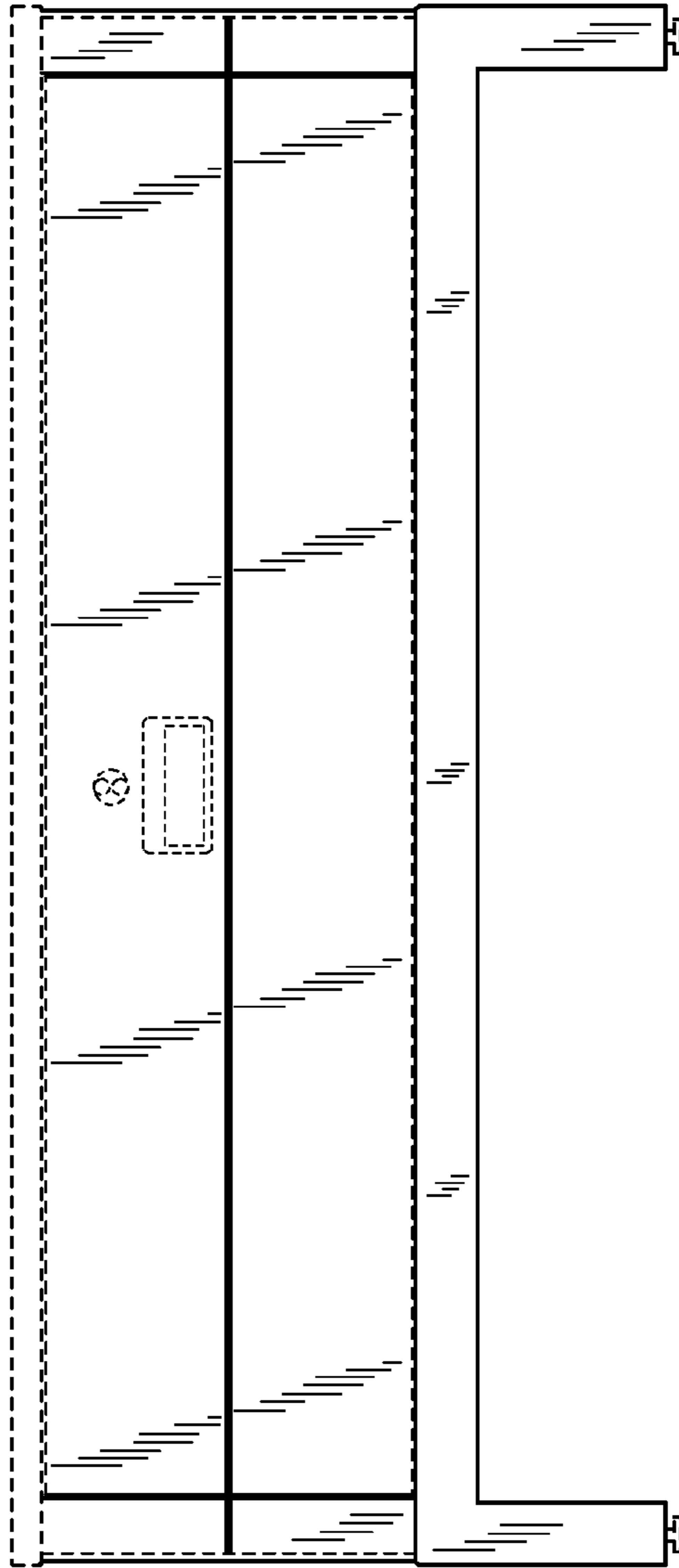


FIG. 14

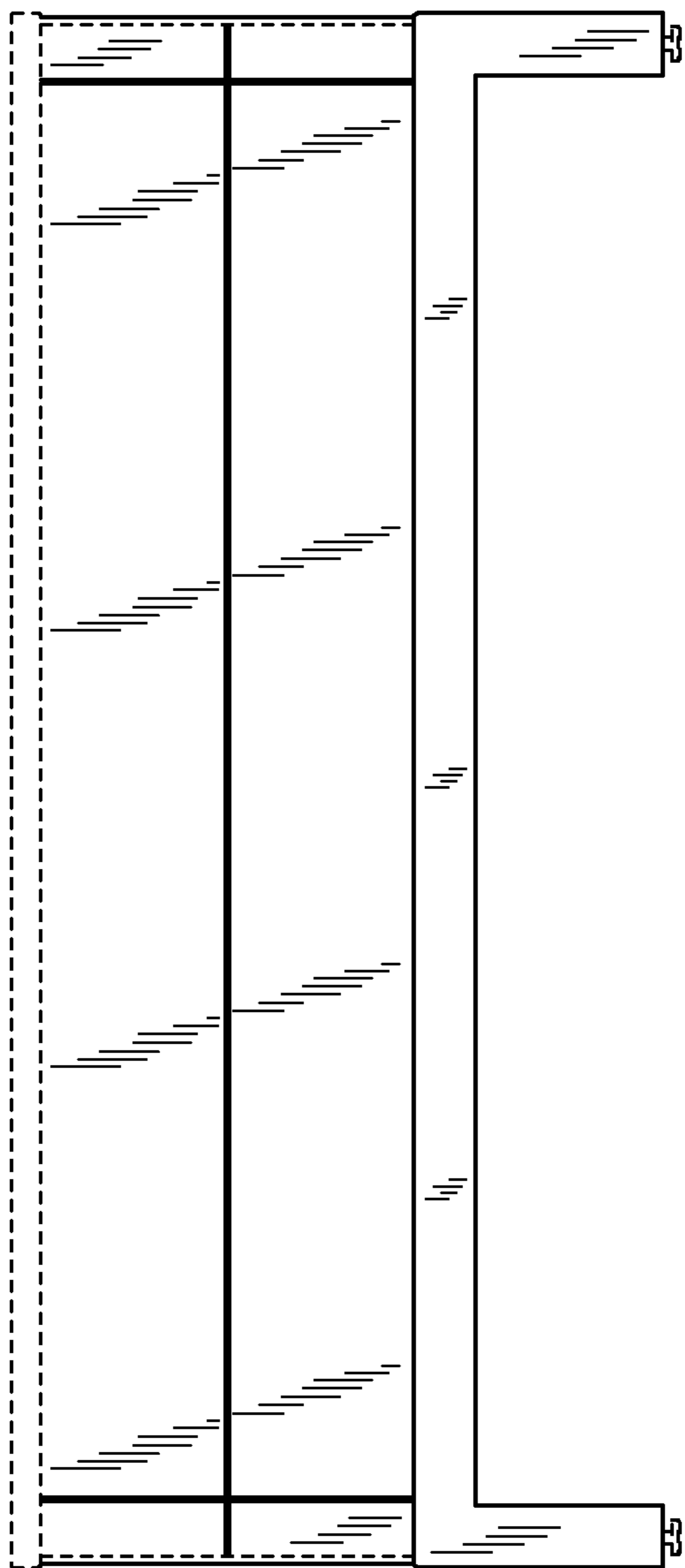


FIG. 15

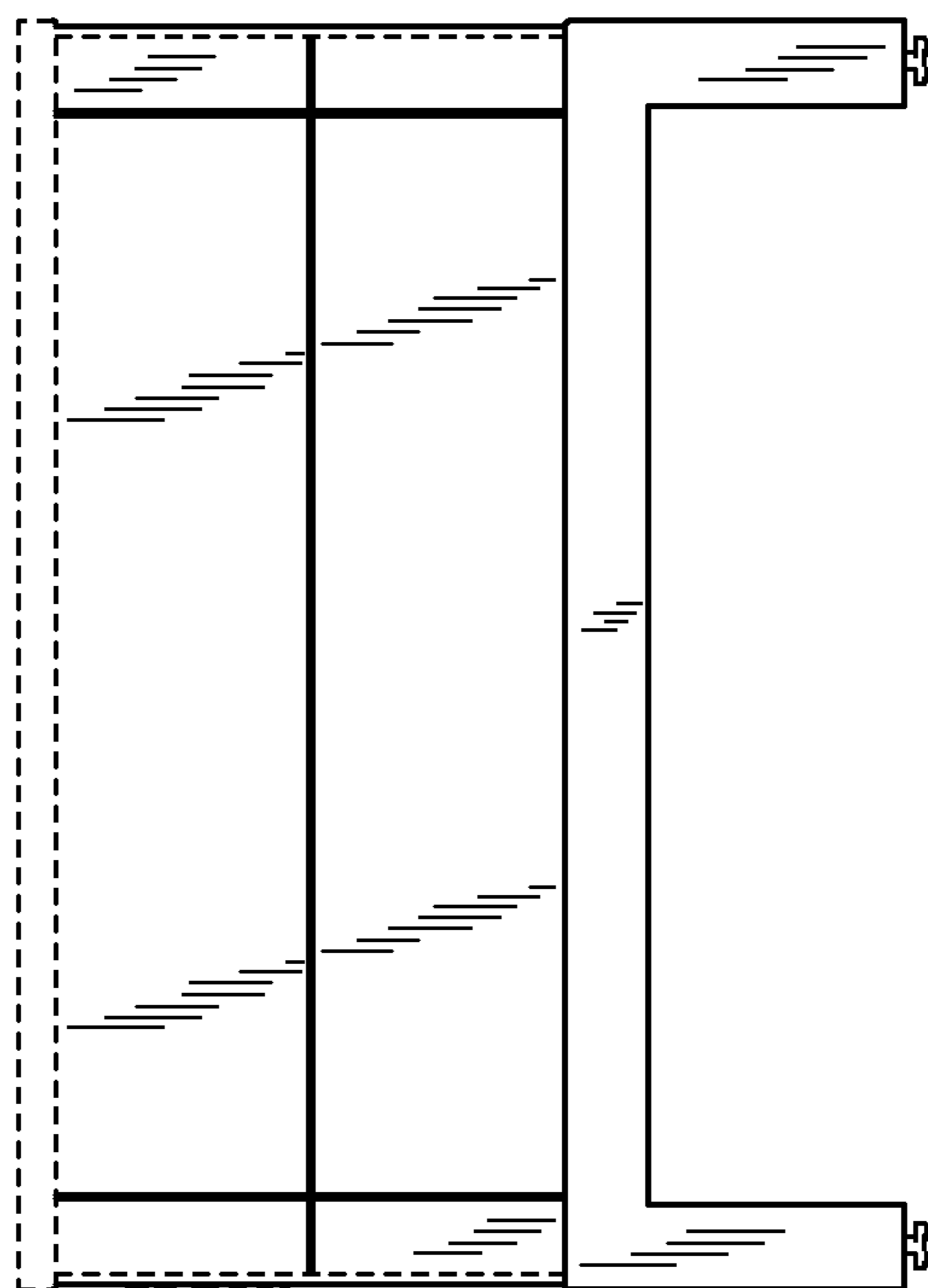


FIG. 16

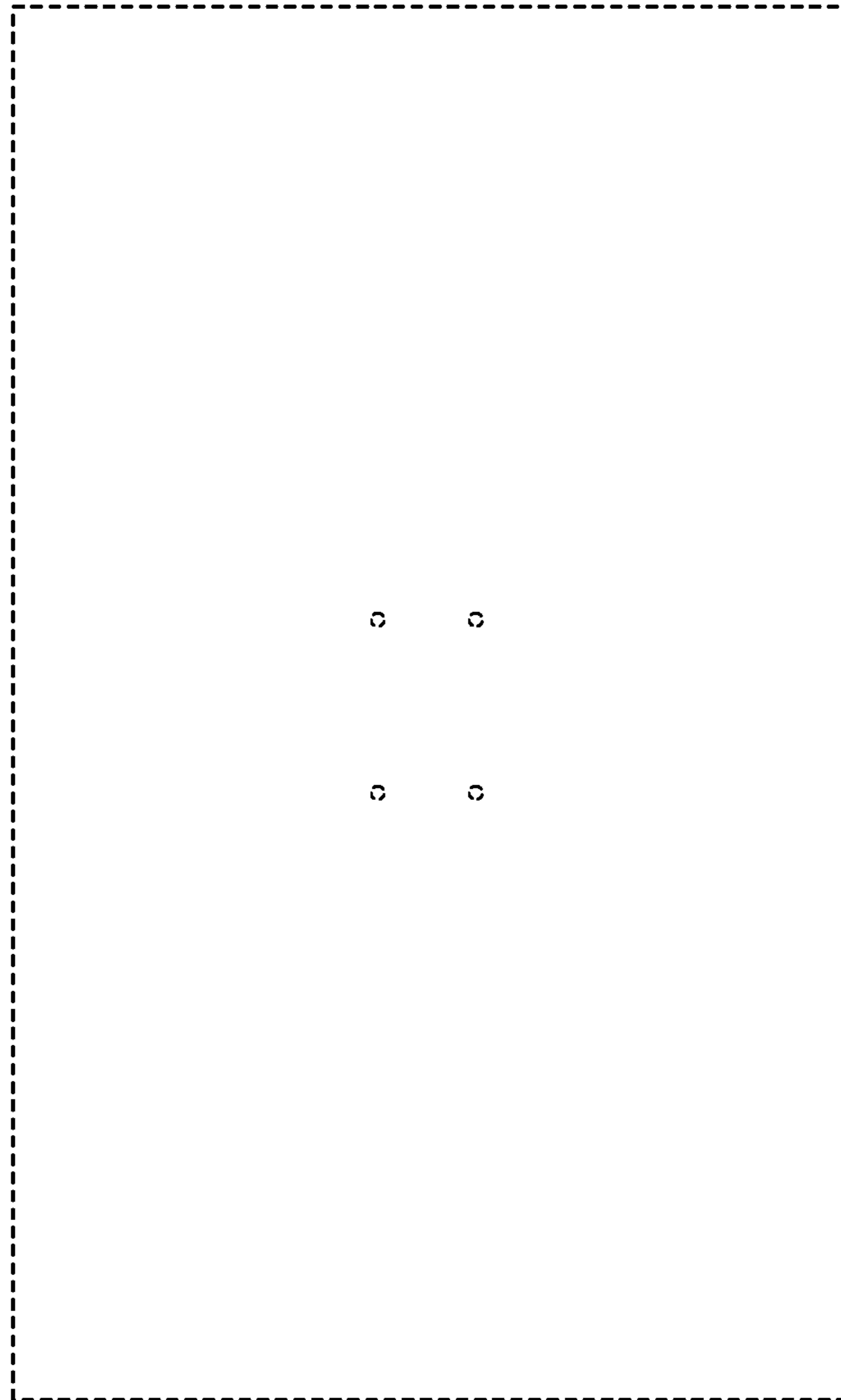


FIG. 17

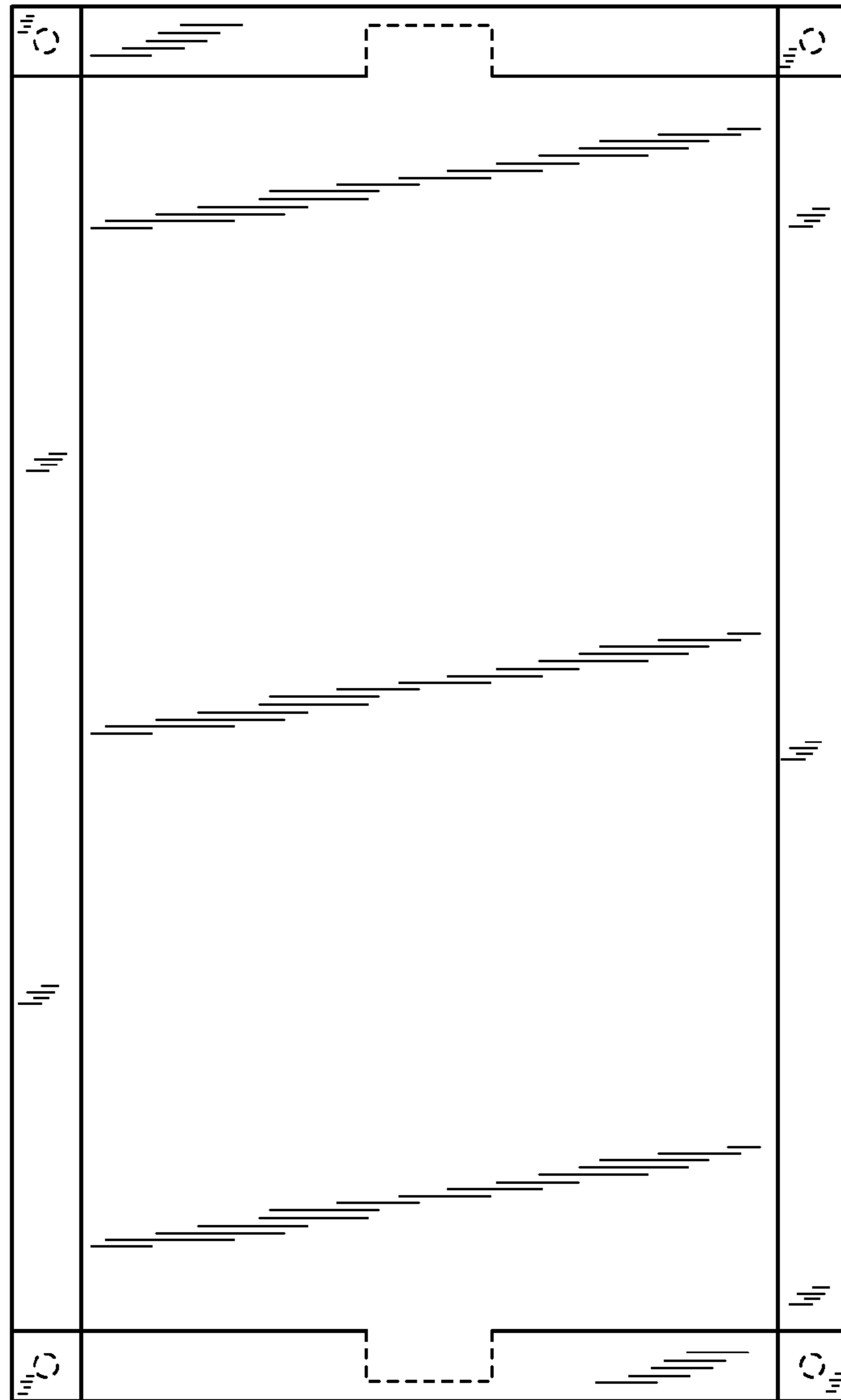


FIG. 18

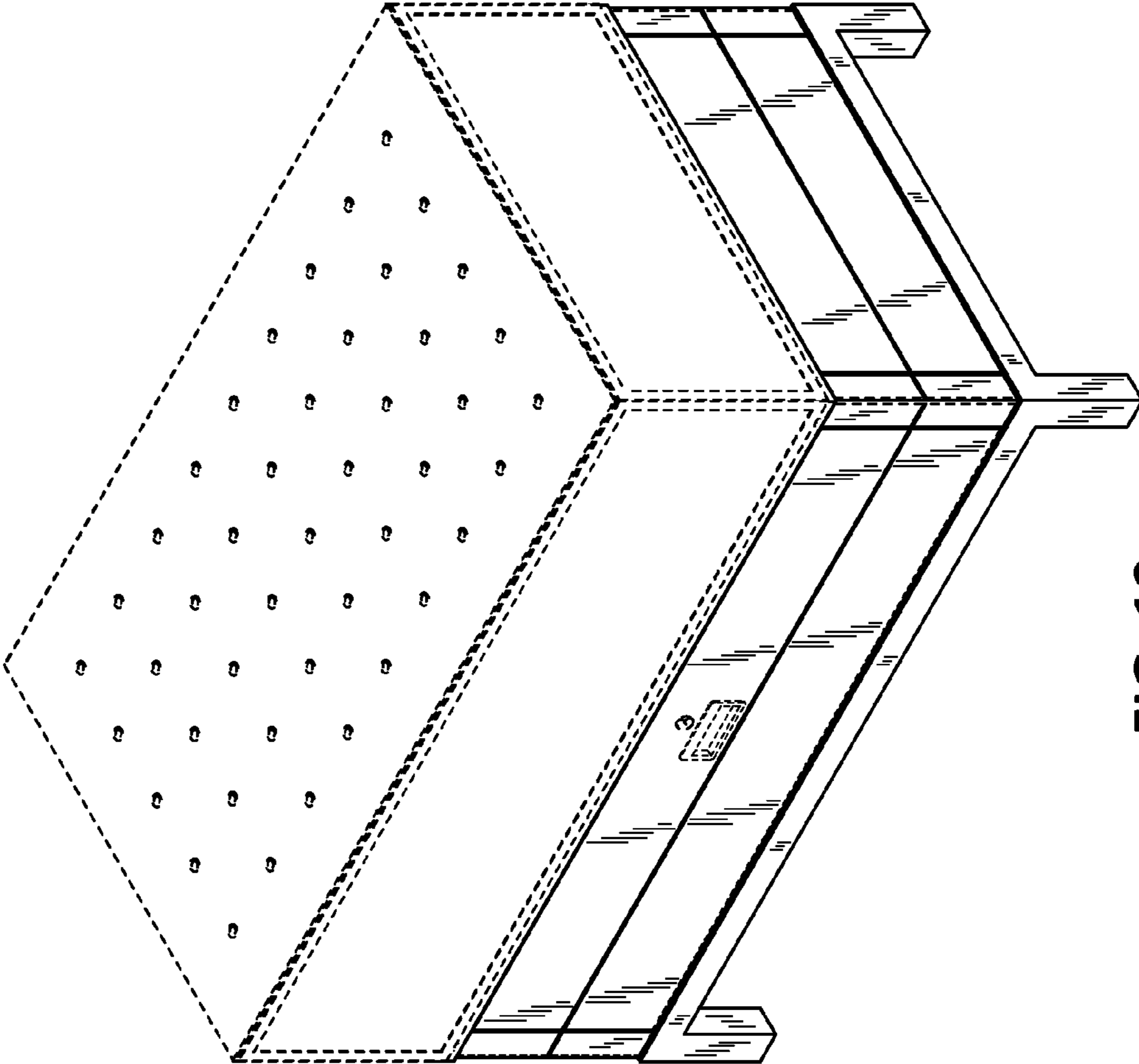


FIG. 19

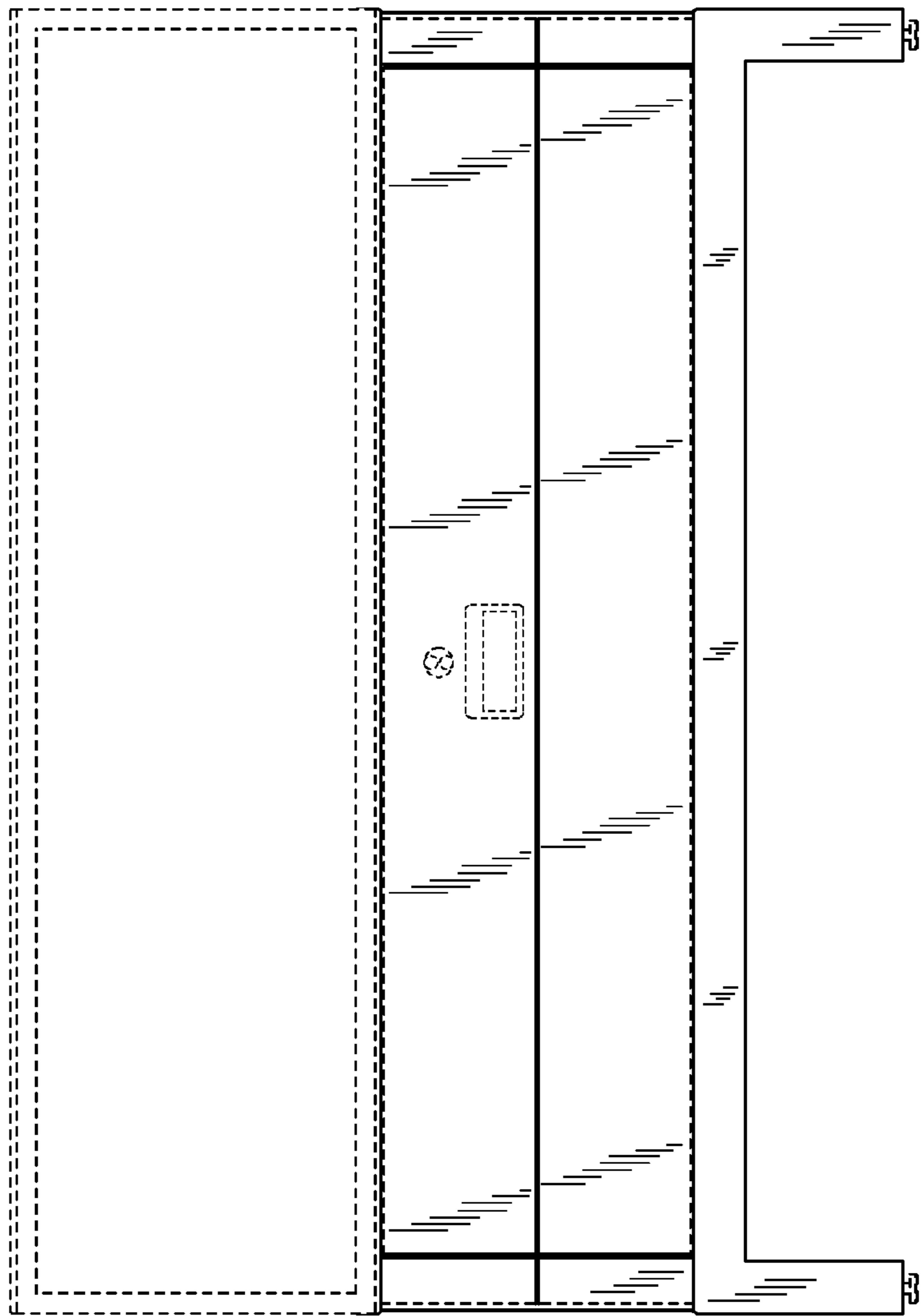


FIG. 20

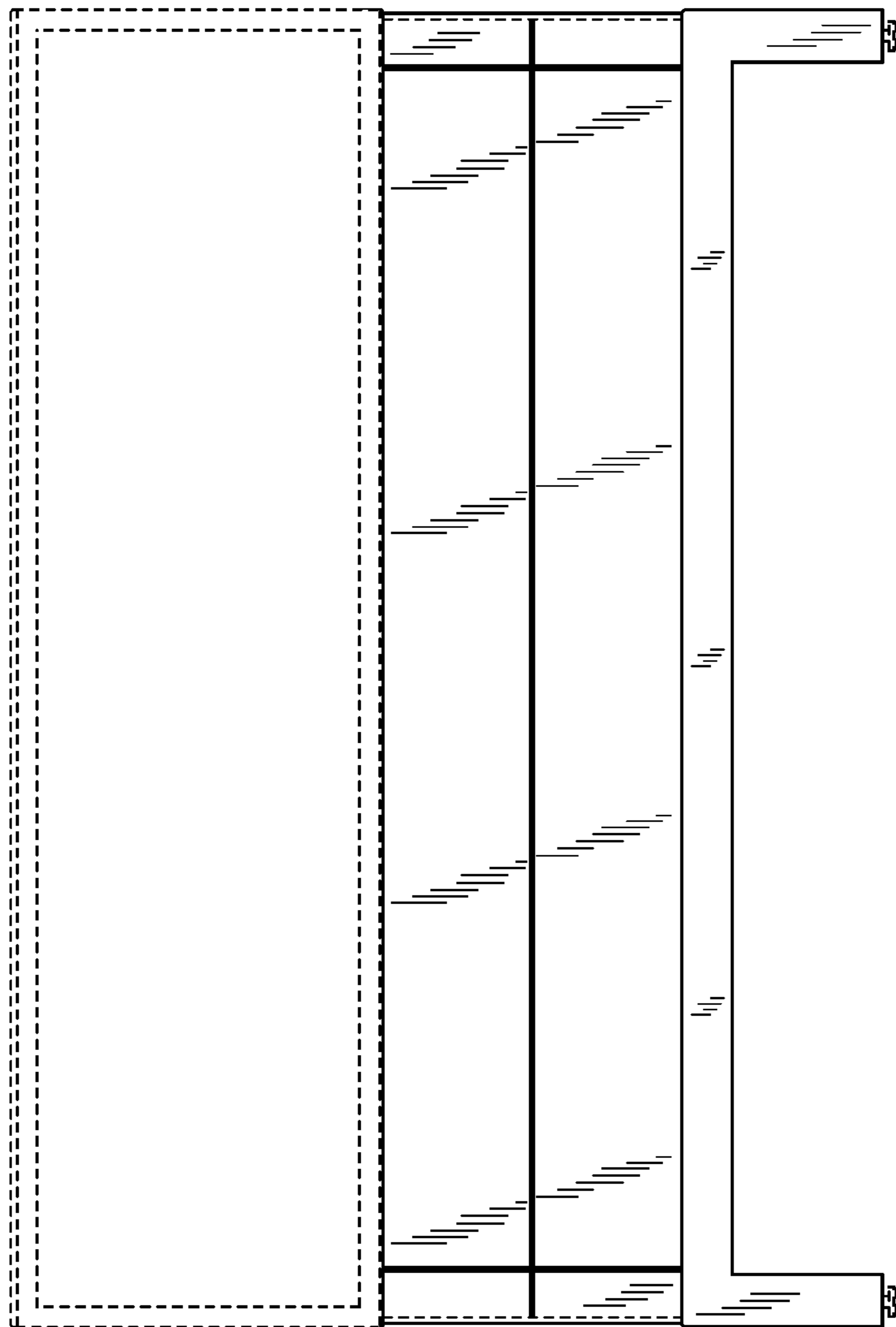


FIG. 21

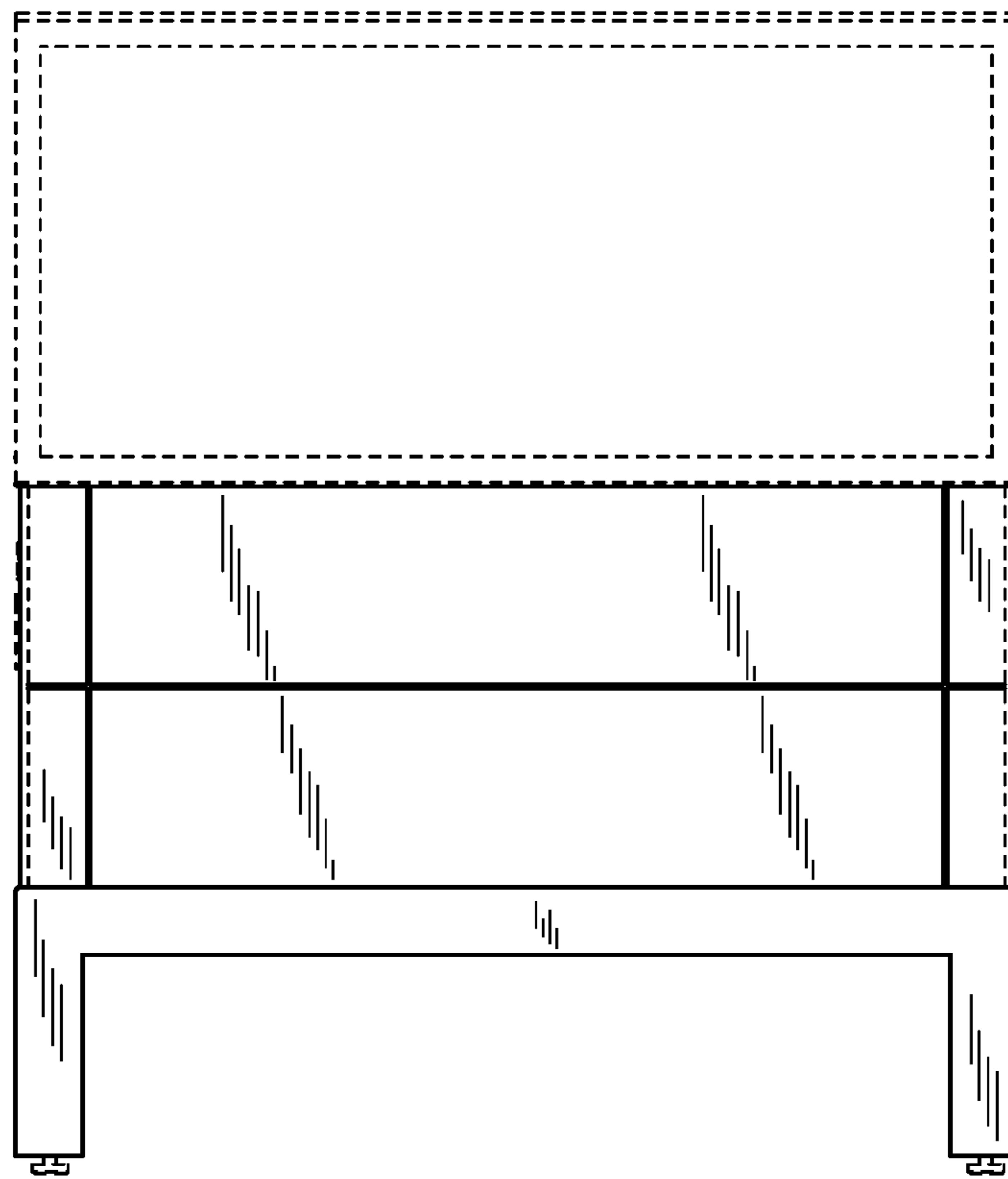


FIG. 22

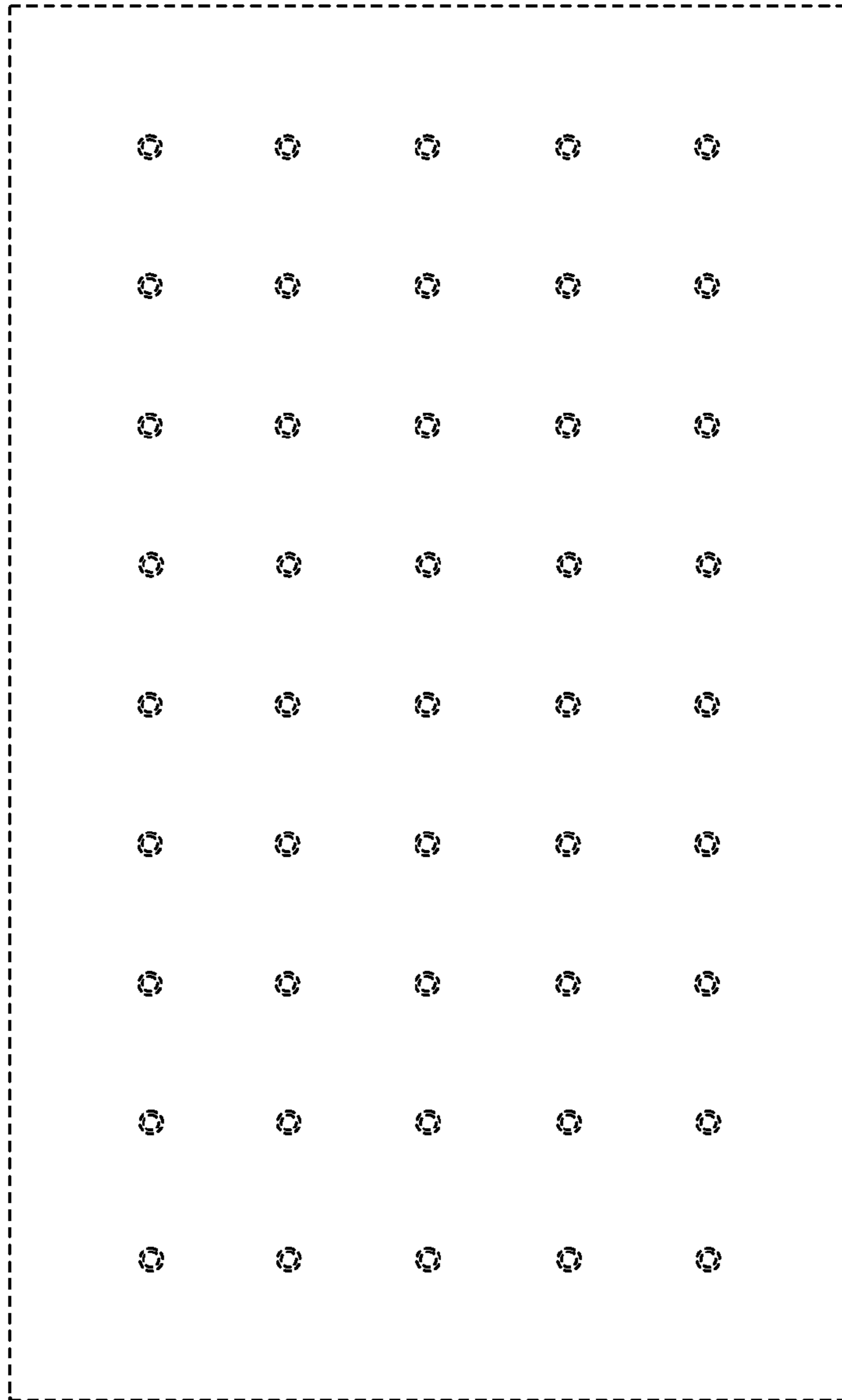


FIG. 23

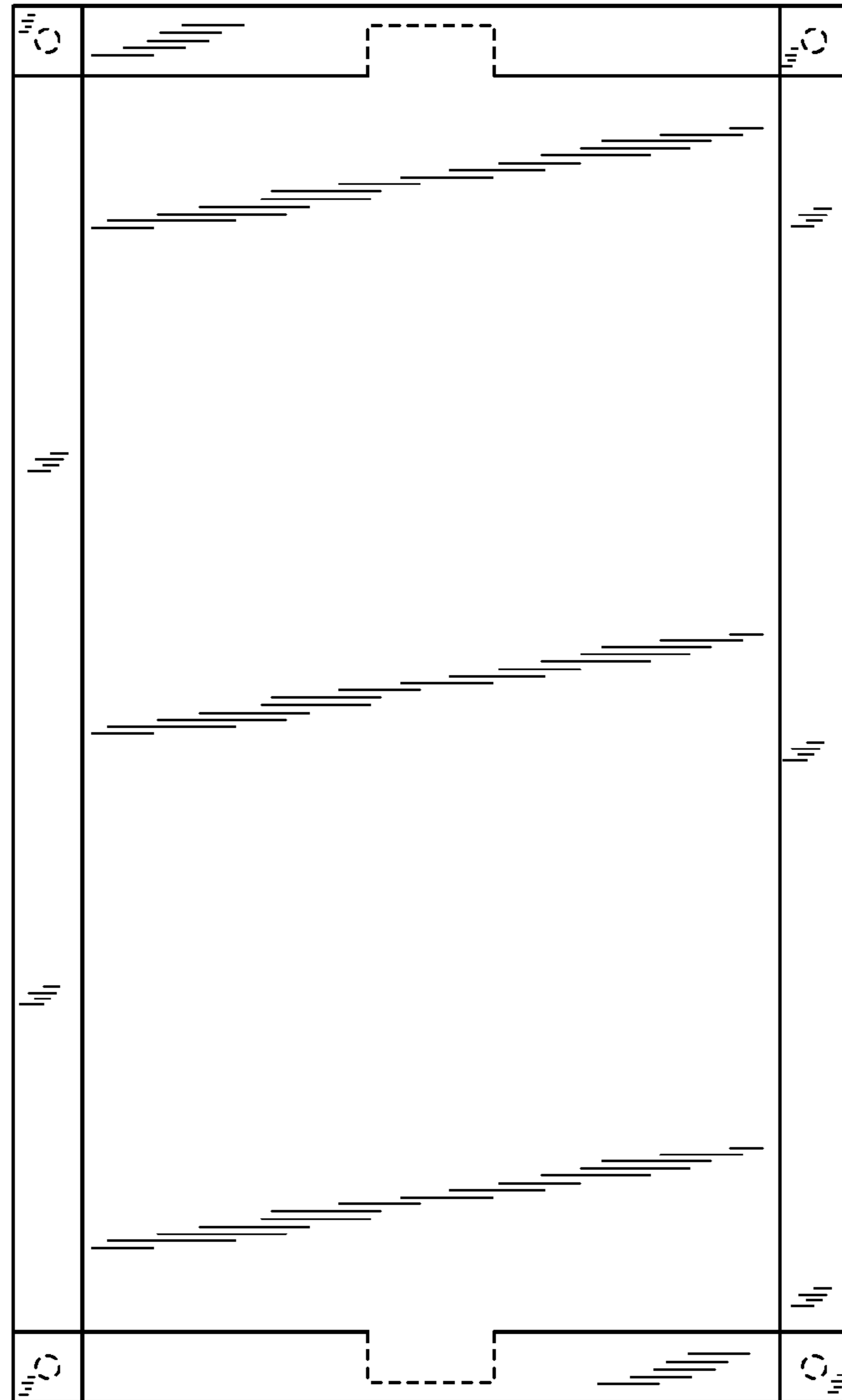


FIG. 24

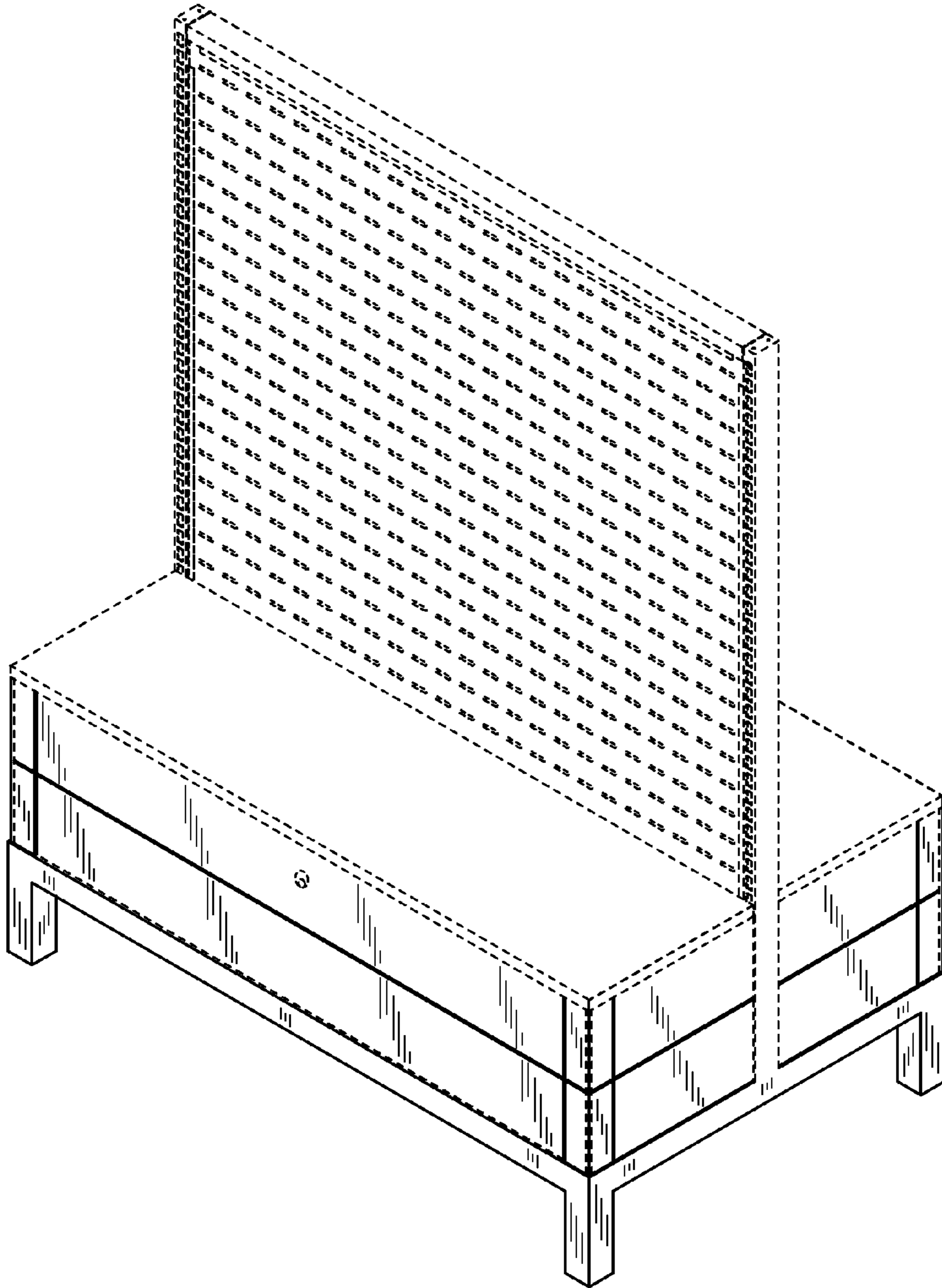


FIG. 25

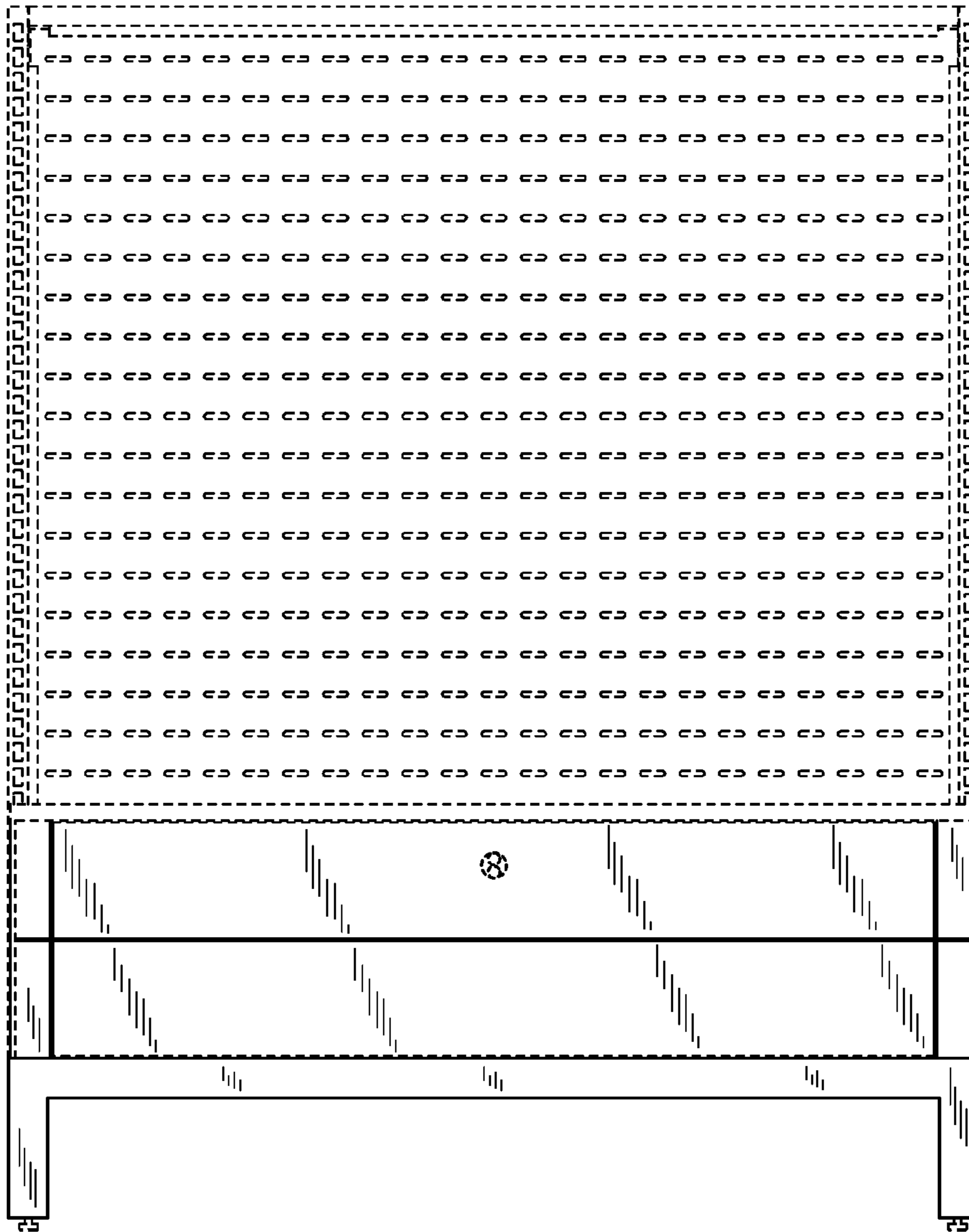


FIG. 26

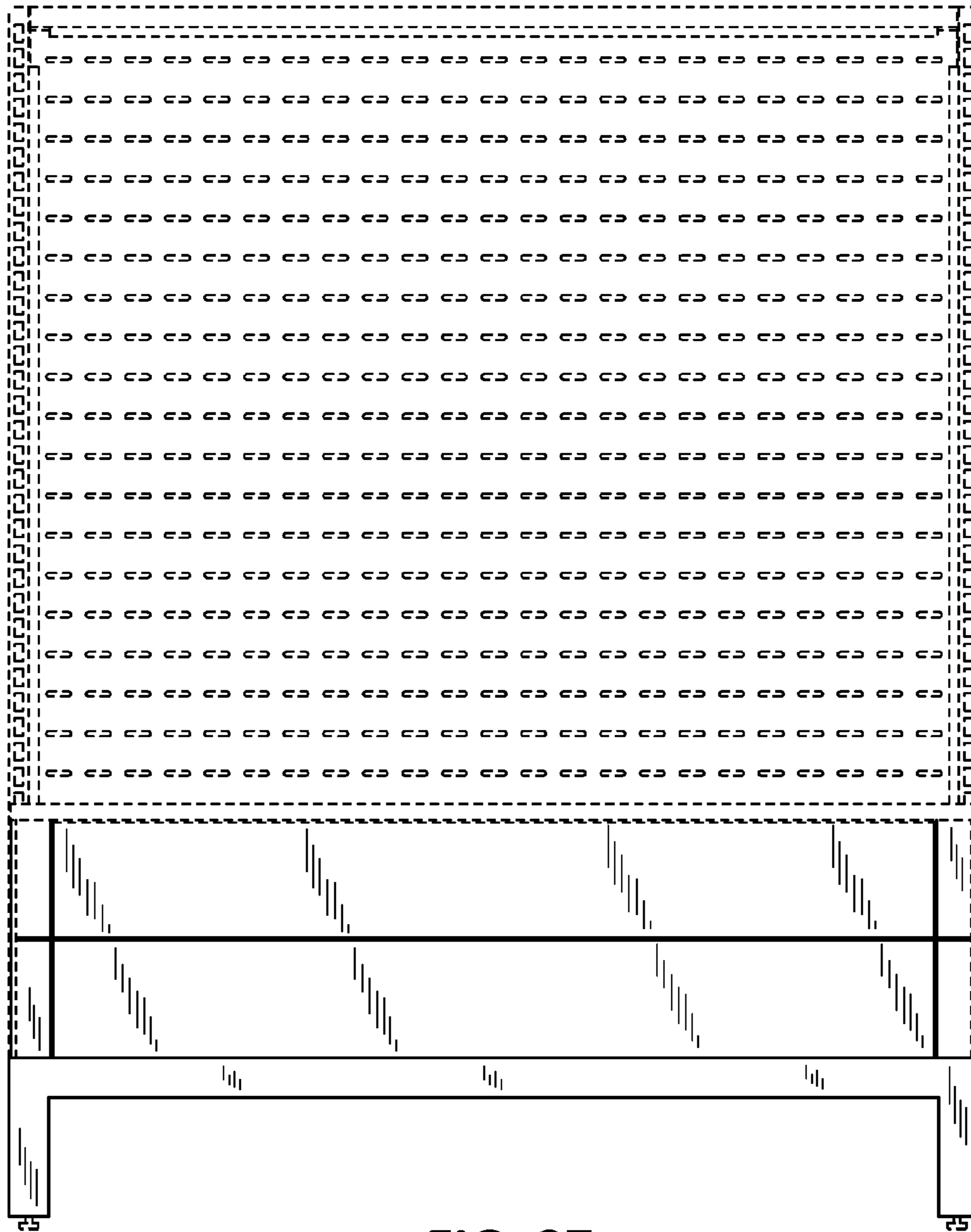


FIG. 27

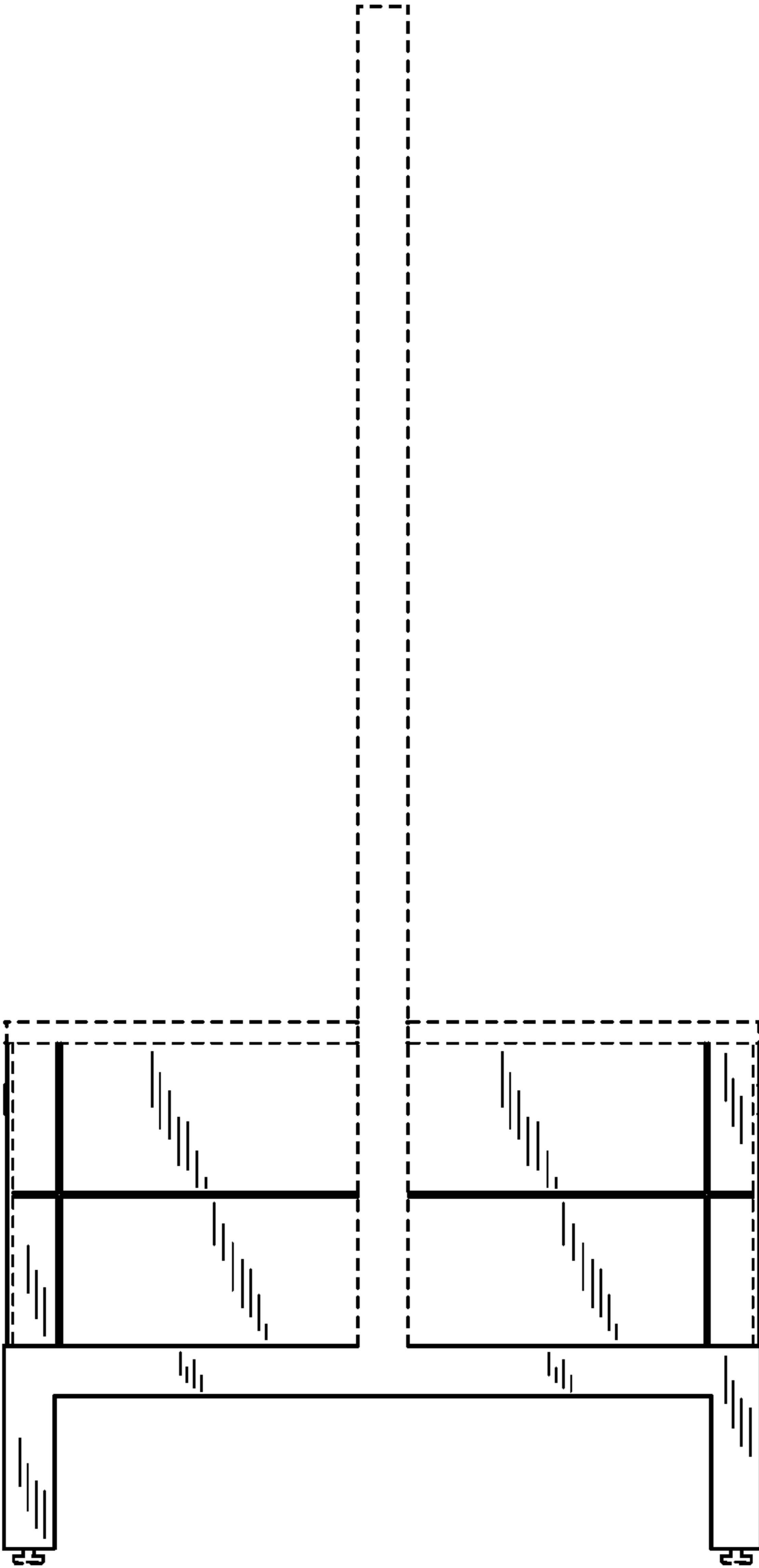


FIG. 28

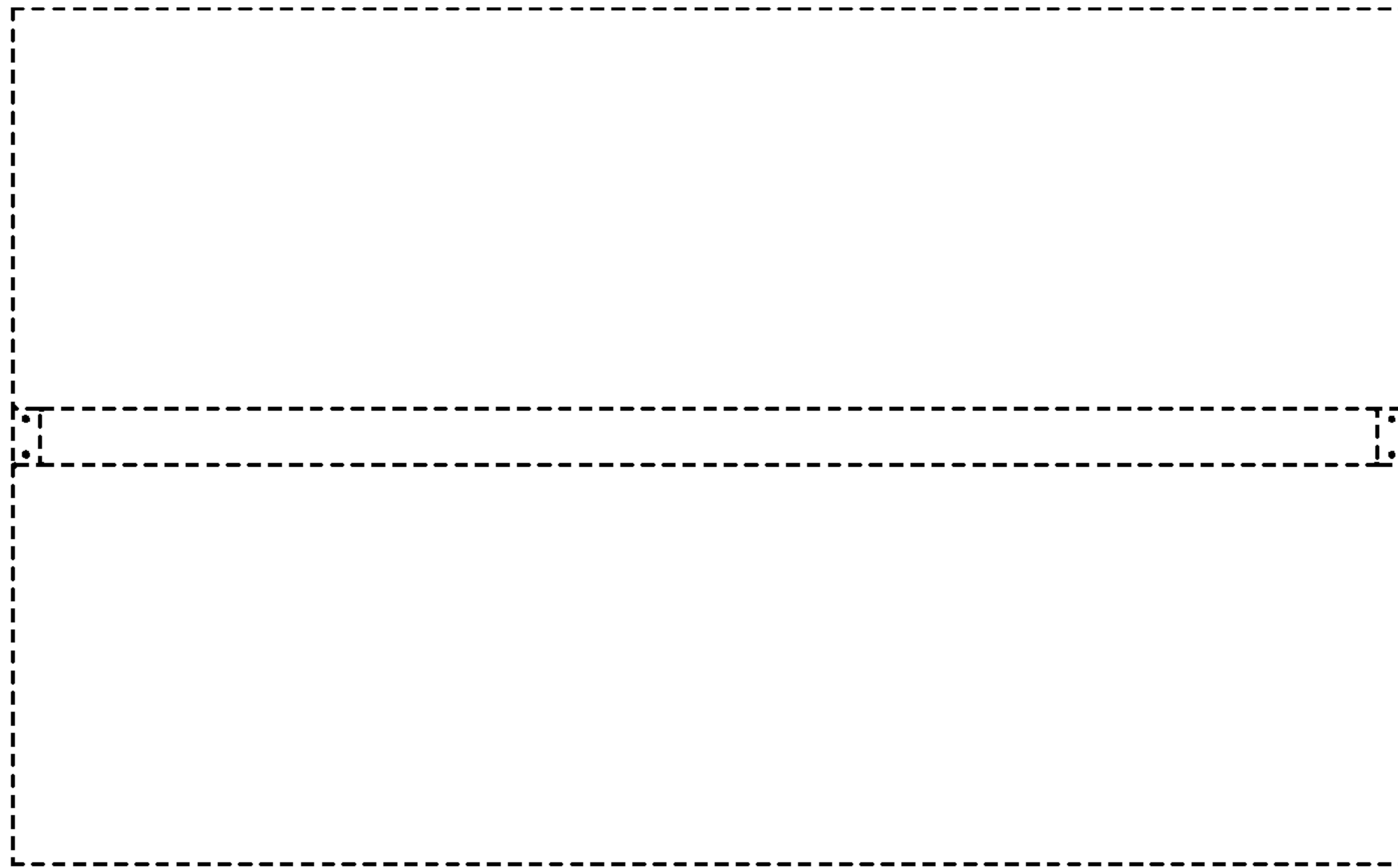


FIG. 29

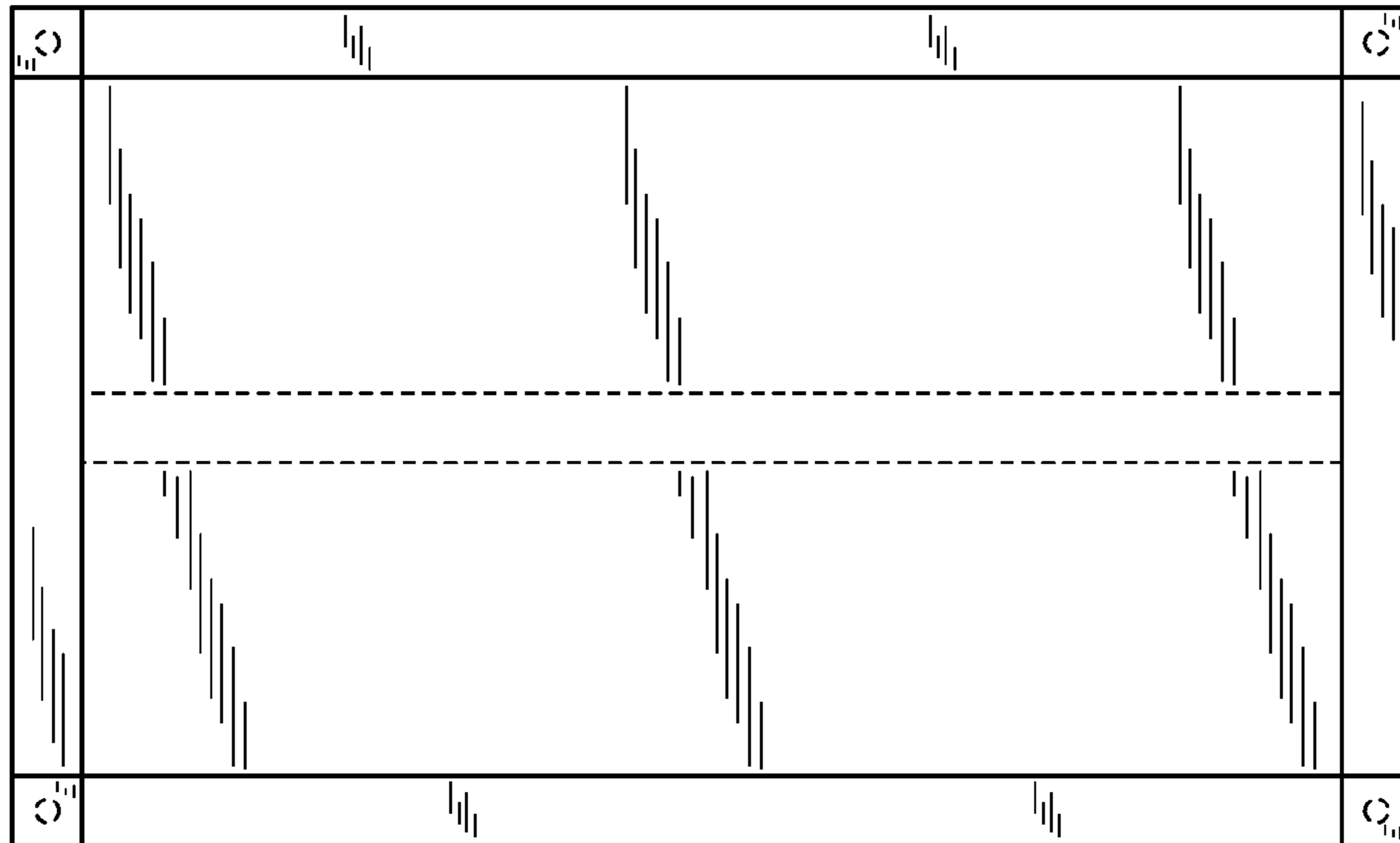


FIG. 30