



US00D690962S

(12) **United States Design Patent**  
**Danileson**

(10) **Patent No.:** **US D690,962 S**

(45) **Date of Patent:** **\*\* Oct. 8, 2013**

(54) **MATTRESS**

(71) Applicant: **Melissa Rae Danileson**, Jonesborough,  
TN (US)

(72) Inventor: **Melissa Rae Danileson**, Jonesborough,  
TN (US)

(73) Assignee: **Tempur-Pedic Management, LLC**,  
Lexington, KY (US)

(\*\*) Term: **14 Years**

(21) Appl. No.: **29/432,696**

(22) Filed: **Sep. 19, 2012**

(51) **LOC (9) Cl.** ..... **06-09**

(52) **U.S. Cl.**  
USPC ..... **D6/605**

(58) **Field of Classification Search**  
USPC ..... D6/595, 596, 605, 602, 603; 5/690,  
5/703, 704, 716, 717, 739, 740, 657.5, 675,  
5/680, 700, 737, 499, 721, 907

See application file for complete search history.

(56) **References Cited**

U.S. PATENT DOCUMENTS

5,528,780 A \* 6/1996 Taylor ..... 5/499  
D479,082 S \* 9/2003 Daughtery et al. .... D6/596  
D670,950 S \* 11/2012 Price ..... D6/605  
2011/0247144 A1\* 10/2011 Oh et al. .... 5/722

\* cited by examiner

*Primary Examiner* — Janice Seeger

(57) **CLAIM**

I claim the ornamental design for a mattress, as shown and described.

**DESCRIPTION**

FIG. 1 is a top perspective view of a mattress of the present invention.

FIG. 2 is a right side view of the mattress of FIG. 1 with the left side being a mirror image thereof.

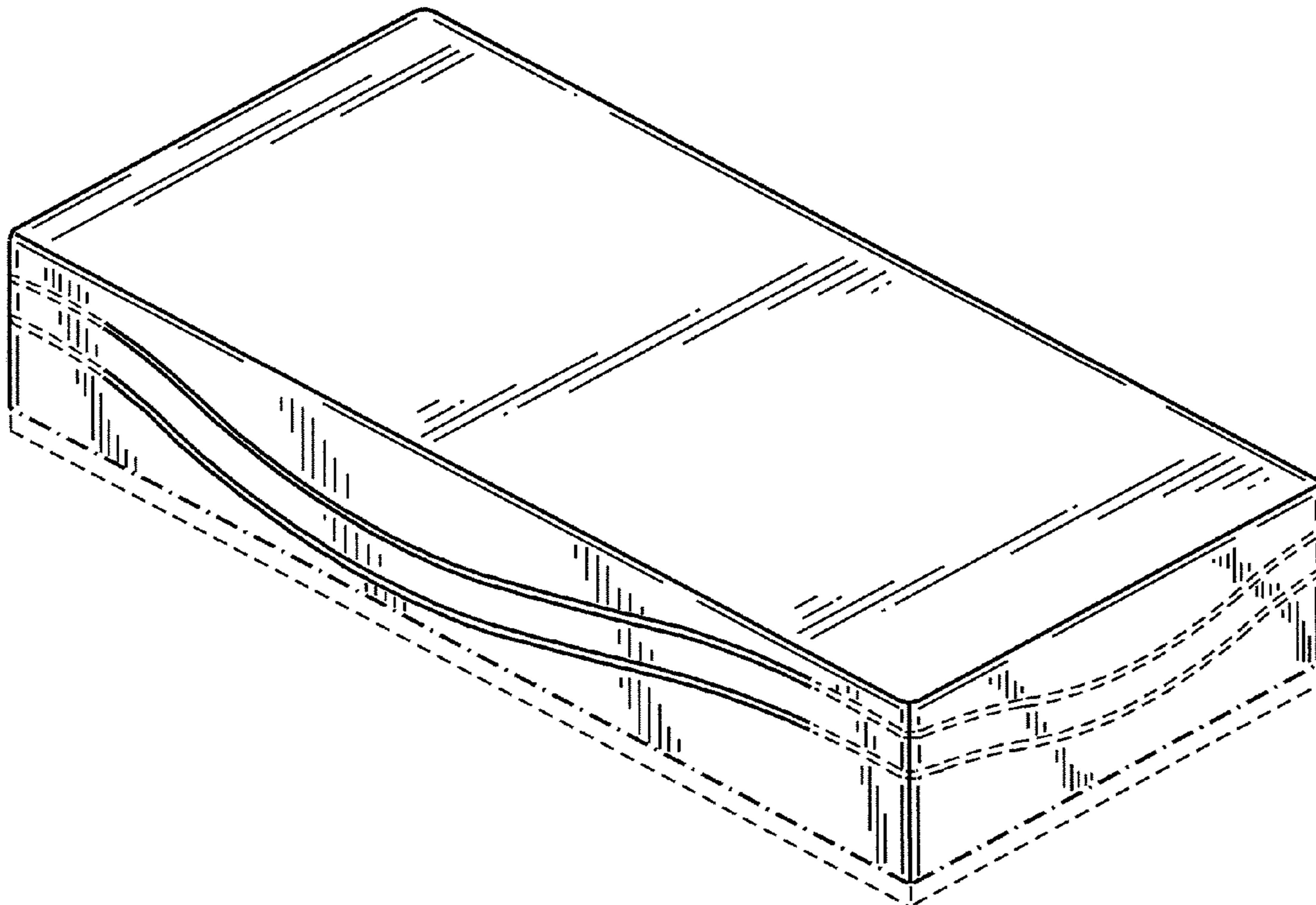
FIG. 3 is a right end view of the mattress of FIG. 1 with the left end being a mirror image thereof.

FIG. 4 is a top view of the mattress of FIG. 1; and,

FIG. 5 is a bottom view of the mattress of FIG. 1

The portions of the mattress shown in broken lines are included for the purpose of illustrating environment and form no part of the claimed design. The portions of the body support shown in broken lines having unequal length segments illustrate the boundary of the claimed design and form no part of the claimed design.

**1 Claim, 4 Drawing Sheets**



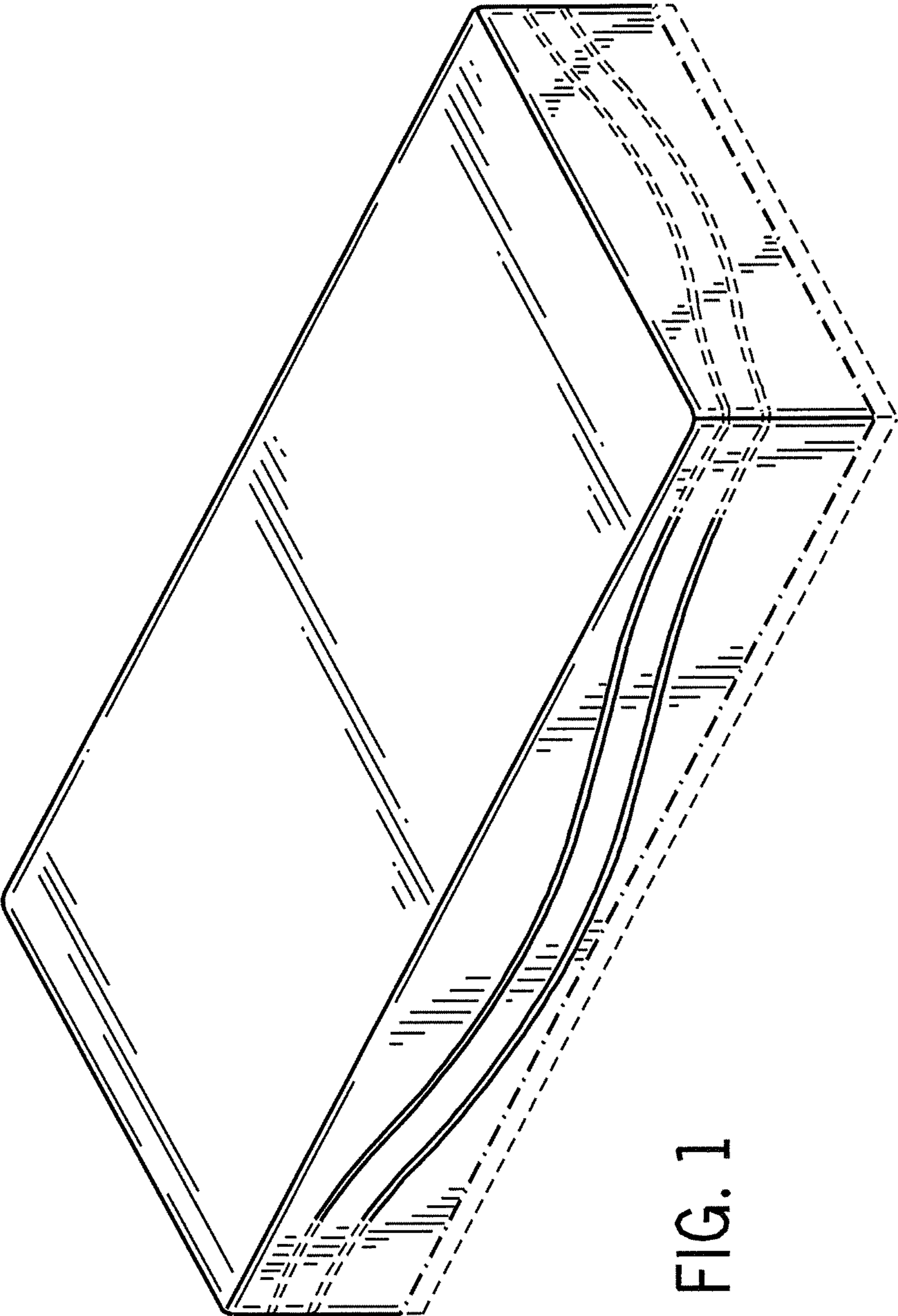


FIG. 1

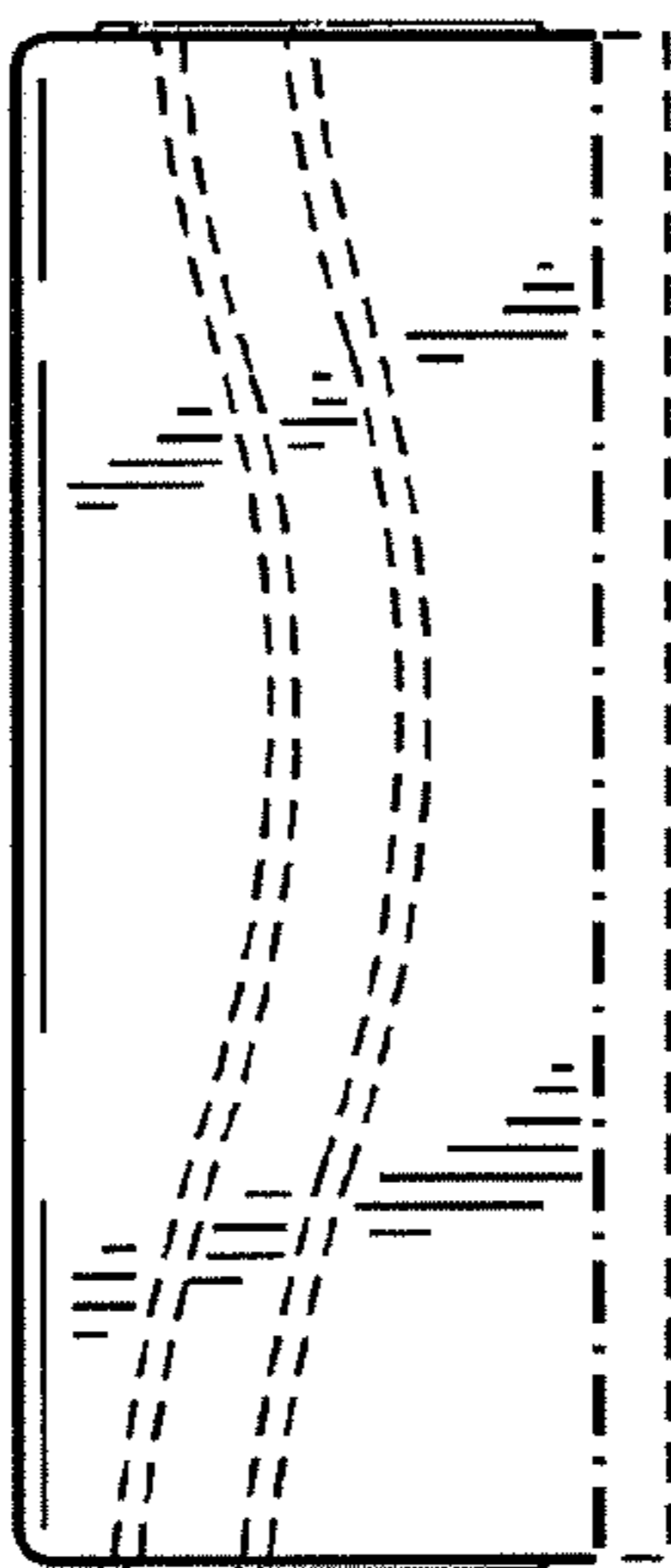


FIG. 2

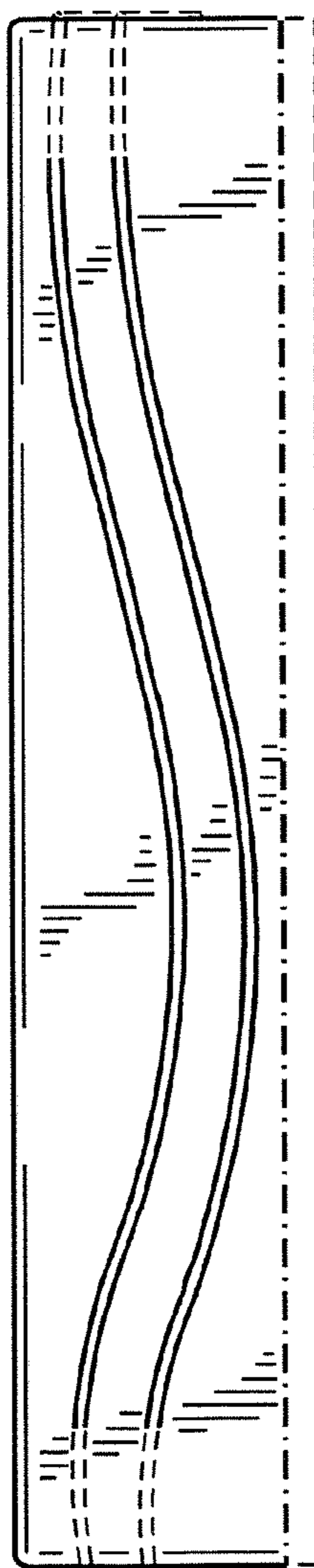


FIG. 3

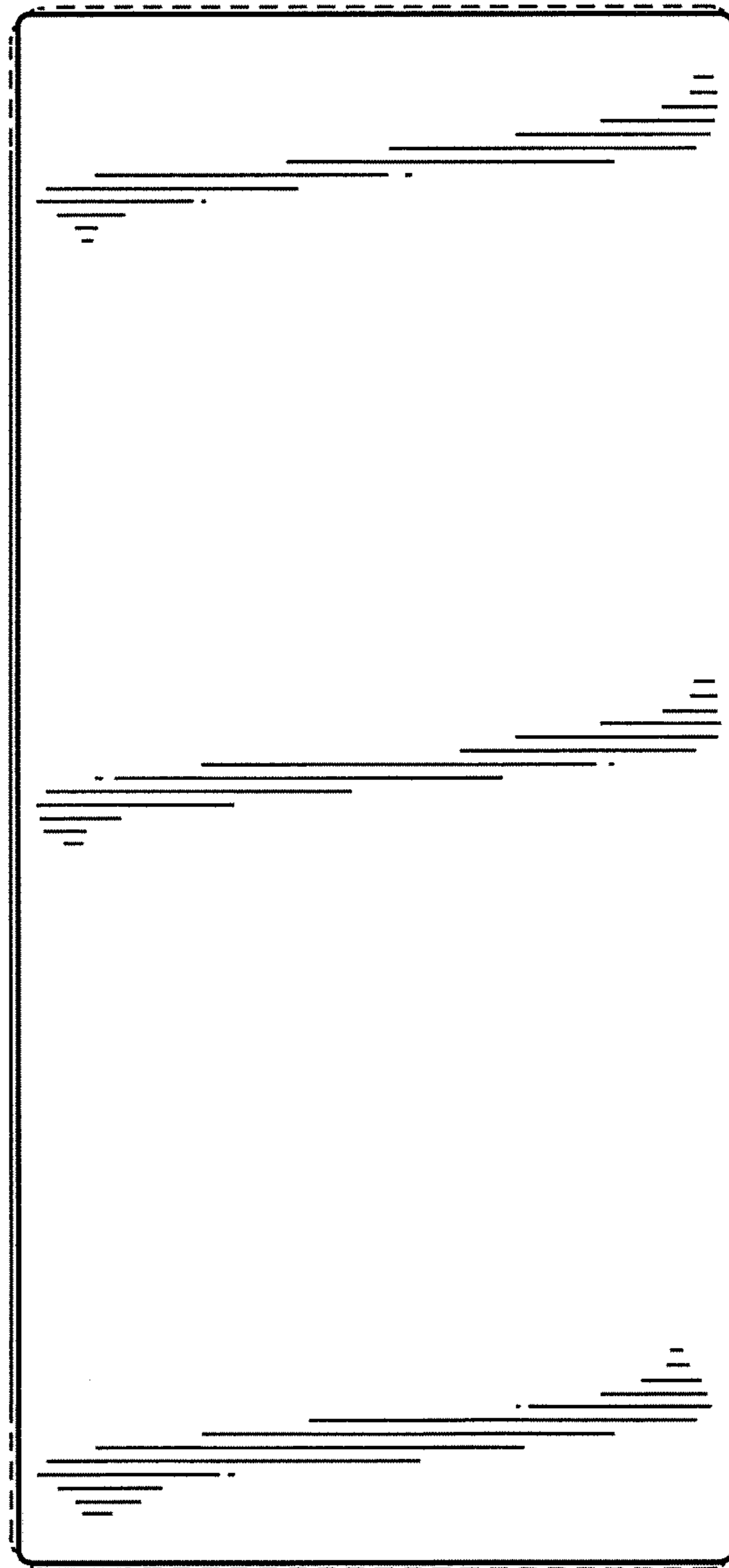


FIG. 4

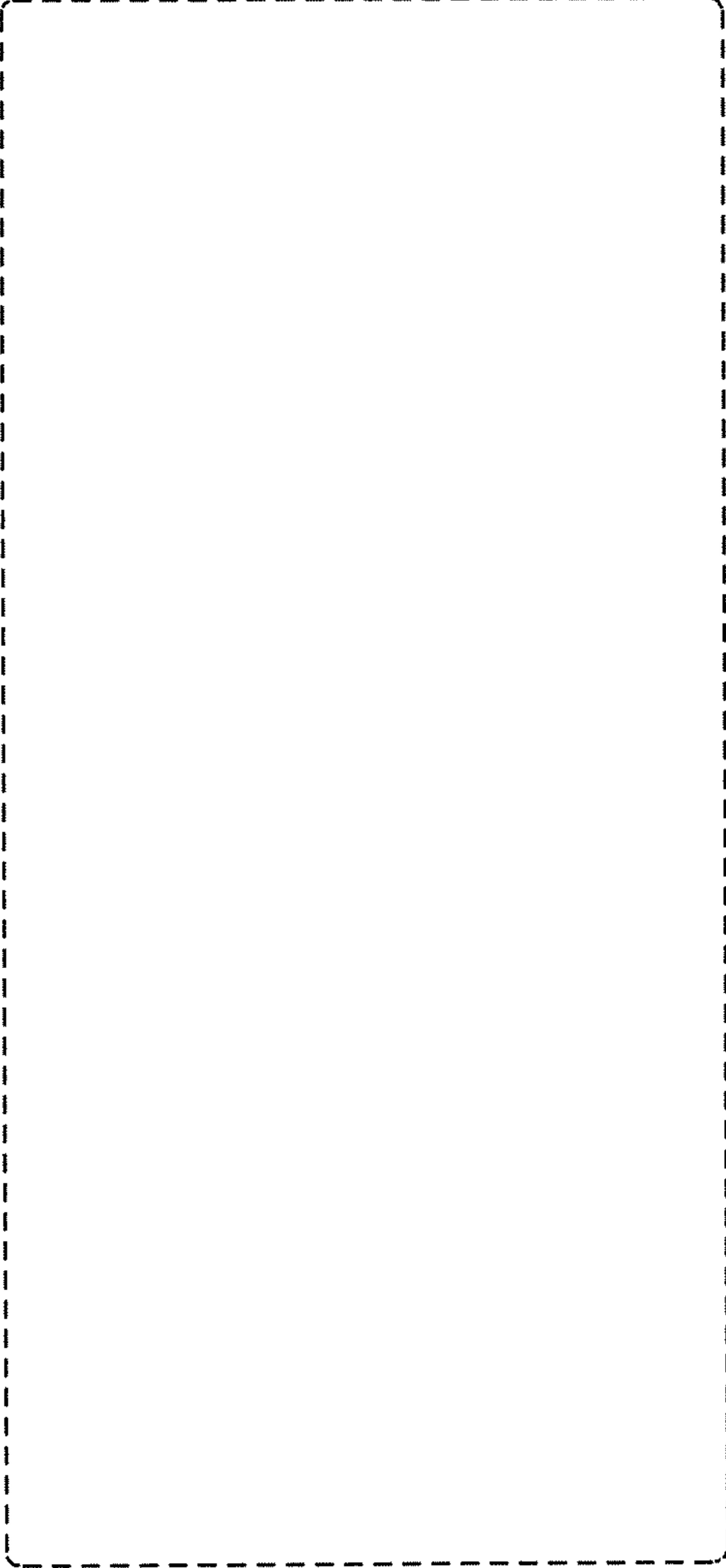


FIG. 5