



US00D690960S

(12) **United States Design Patent**
Williams

(10) **Patent No.:** **US D690,960 S**

(45) **Date of Patent:** **** Oct. 8, 2013**

(54) **SOAP DISH**

(76) Inventor: **Vessye Williams**, Cordova, TN (US)

(**) Term: **14 Years**

(21) Appl. No.: **29/429,206**

(22) Filed: **Aug. 8, 2012**

(51) **LOC (9) Cl.** **23-02**

(52) **U.S. Cl.**
USPC **D6/536**

(58) **Field of Classification Search**
USPC D6/536-540, 532; D7/502, 550,
D7/554.2; D9/682, 690, 692; 206/77.1,
206/557, 587, 823; 211/13.1, 85.4, 85.12,
211/88.01; 248/176.1

See application file for complete search history.

(56) **References Cited**

U.S. PATENT DOCUMENTS

642,780	A	6/1900	Bernard	
3,185,537	A	5/1965	Wright	
D207,093	S *	3/1967	Kunz	D6/532
4,151,972	A *	5/1979	Allegro	D6/536
D257,418	S	10/1980	Rosenthal	
4,392,630	A	7/1983	Moontasir	
4,530,479	A	7/1985	Chen	
4,858,757	A *	8/1989	Liggett	D6/536
4,861,505	A	8/1989	Farman	
4,913,319	A	4/1990	Root	
D330,304	S	10/1992	Parrish	
5,152,430	A	10/1992	de Torres	

D360,094	S	7/1995	Andrus et al.	
5,690,255	A	11/1997	White	
5,881,918	A	3/1999	Eichler	
5,947,439	A	9/1999	Florey	
6,223,900	B1	5/2001	Pappas	
6,343,845	B1	2/2002	Woodard	
D636,200	S *	4/2011	Yang et al.	D6/536
D669,717	S *	10/2012	Legreca et al.	D6/536
2004/0163979	A1	8/2004	Bender	

* cited by examiner

Primary Examiner — Brian N Vinson

(74) *Attorney, Agent, or Firm* — Boyle Fredrickson S.C.

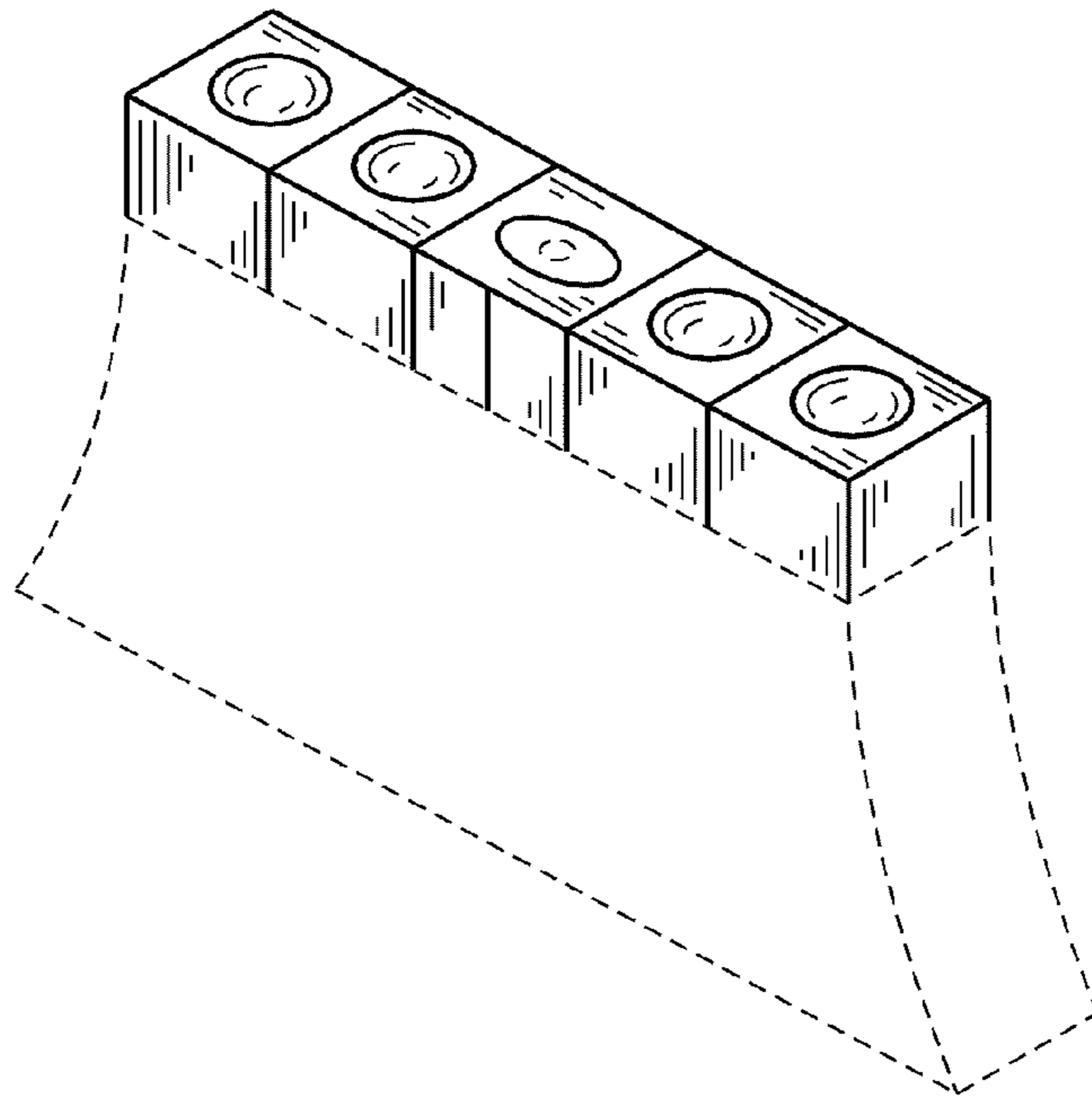
(57) **CLAIM**

The ornamental design for a soap dish, as shown and described.

DESCRIPTION

FIG. 1 is a top, front, and left side perspective view of a soap dish showing my new design;
 FIG. 2 is a top plan view thereof;
 FIG. 3 is a front elevation view thereof, the rear elevation view being a mirror image of that shown;
 FIG. 4 is a right side elevation view thereof, the left side elevation view being a mirror image of that shown;
 FIG. 5 is an additional top, front, and right side perspective view thereof; and,
 FIG. 6 is an additional front elevation view thereof.
 The broken lines represent environmental structure and form no part of the claimed design.

1 Claim, 3 Drawing Sheets



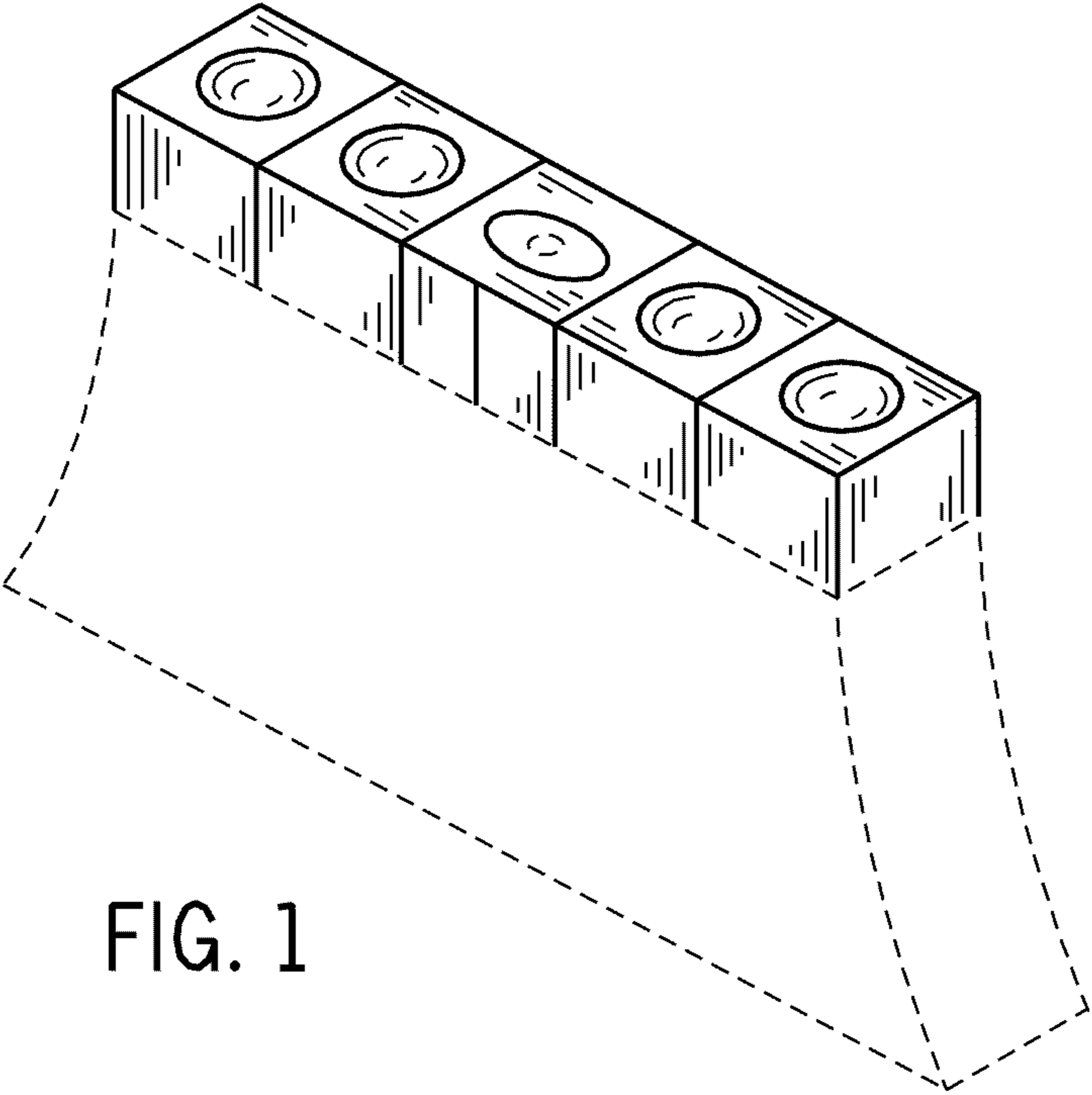


FIG. 1

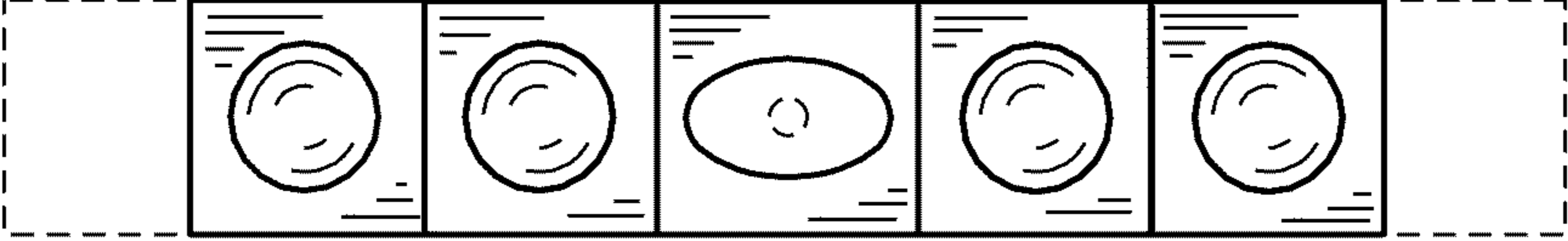


FIG. 2

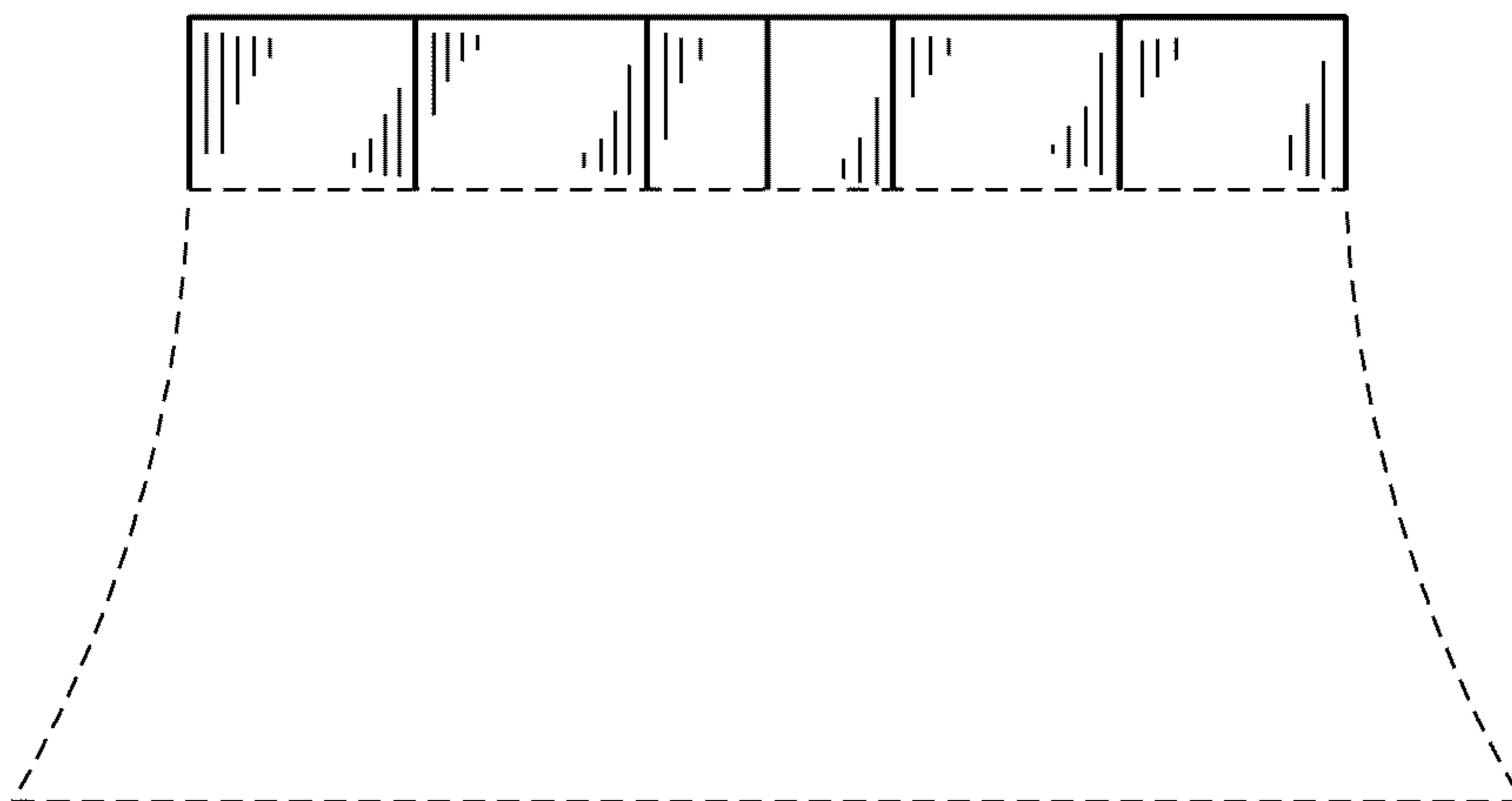


FIG. 3

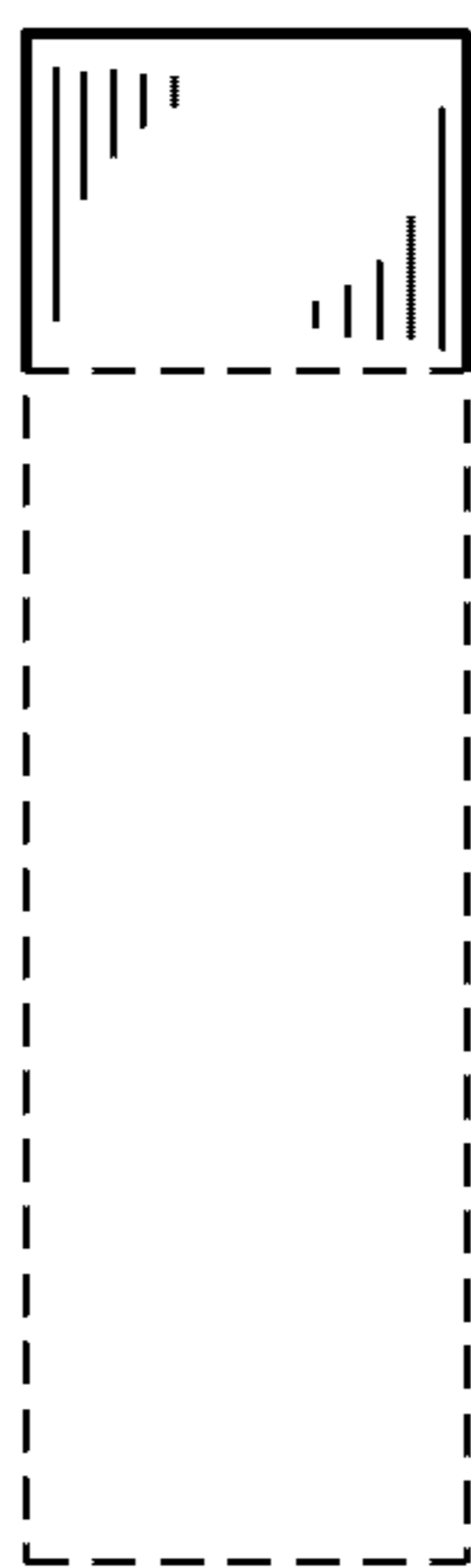


FIG. 4

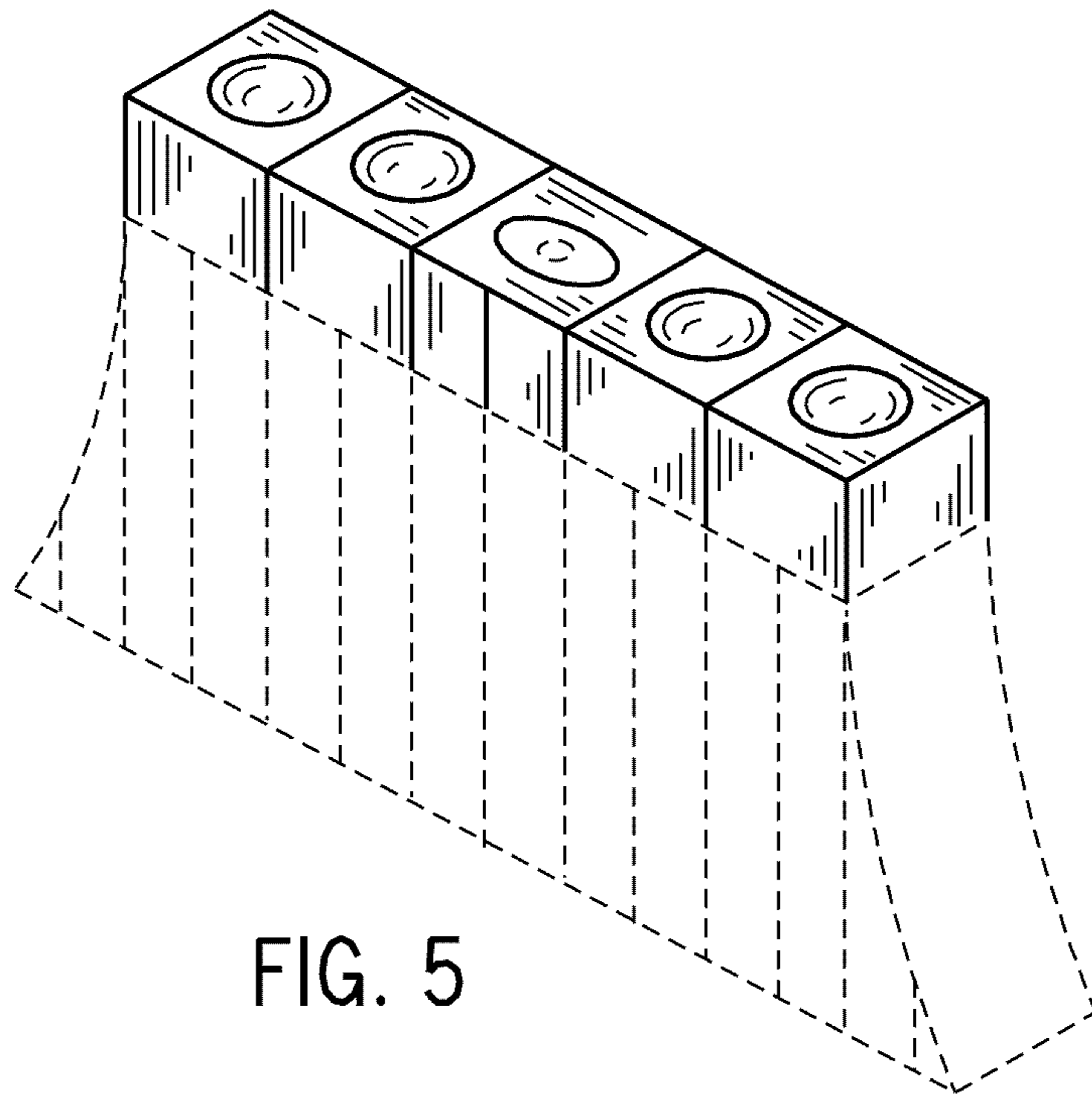


FIG. 5

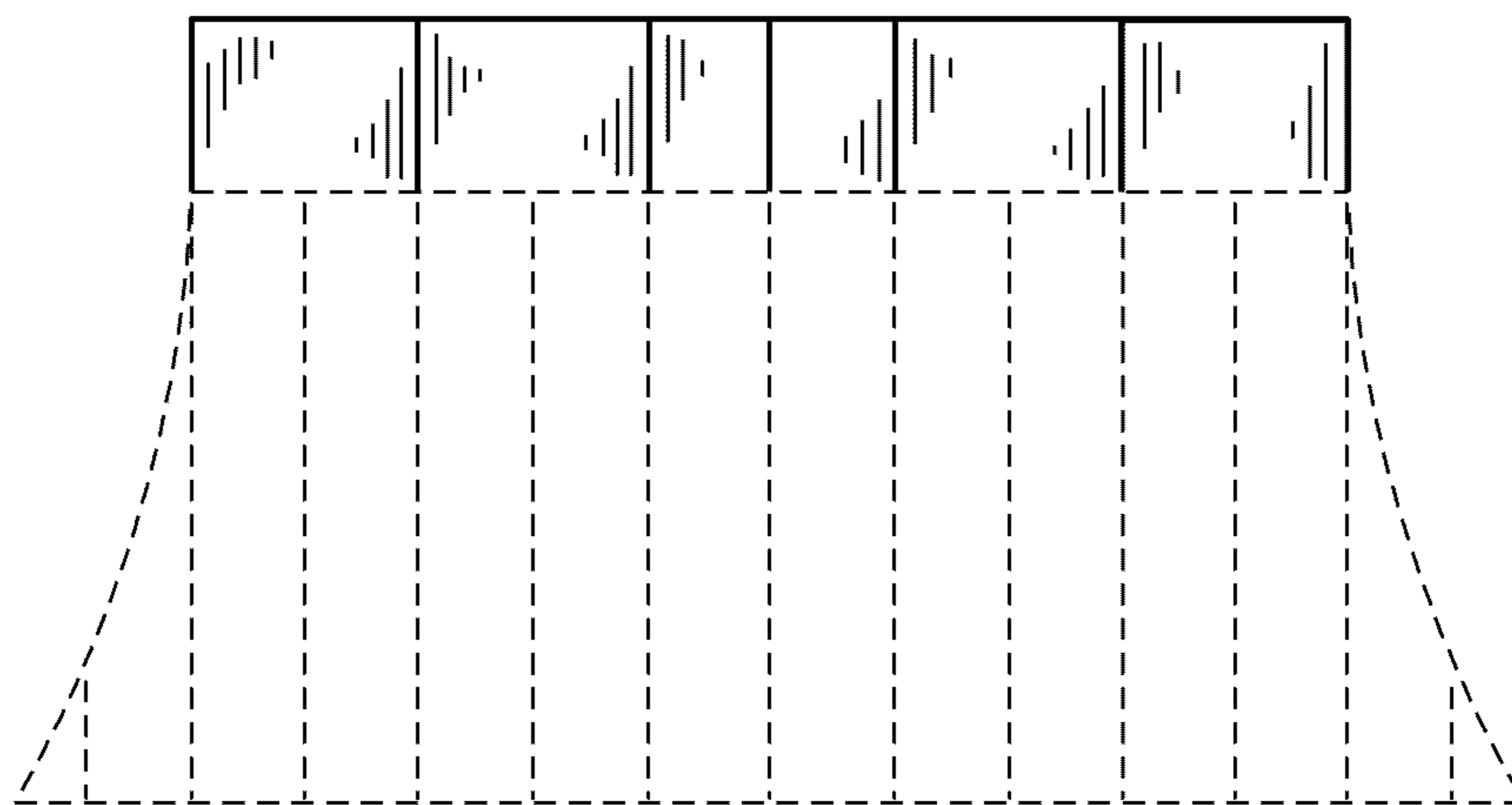


FIG. 6