

US00D690954S

(12) **United States Design Patent**  
**Beucler et al.**

(10) **Patent No.:** **US D690,954 S**  
(45) **Date of Patent:** **\*\* Oct. 8, 2013**

- (54) **SOFA**
- (71) Applicant: **Knoll, Inc.**, East Greenville, PA (US)
- (72) Inventors: **Pierre Beucler**, Paris (FR);  
**Jean-Christophe Poggioli**, Paris (FR)
- (73) Assignee: **Knoll, Inc.**, East Greenville, PA (US)
- (\*\*) Term: **14 Years**
- (21) Appl. No.: **29/445,119**
- (22) Filed: **Feb. 7, 2013**
- (51) **LOC (9) Cl.** ..... **06-01**
- (52) **U.S. Cl.**  
USPC ..... **D6/381**
- (58) **Field of Classification Search**  
USPC ..... D6/334-338, 349, 355, 361, 368-370,  
D6/376, 379-381, 492, 500-502, 716, 716.1;  
297/16.1, 42, 94, 135, 175, 232, 233, 350,  
297/351, 445.1, 448.1, 448.2, 451.9; 5/12.1,  
5/12.2

See application file for complete search history.

(56) **References Cited**

U.S. PATENT DOCUMENTS

D187,917 S *	5/1960	Spound .....	D6/334
D222,451 S *	10/1971	Lamb .....	D6/367
D252,060 S *	6/1979	Prevost .....	D6/334
D253,439 S *	11/1979	Prevost .....	D6/334
D261,702 S *	11/1981	Whalen .....	D6/334
D278,581 S *	4/1985	Melchior .....	D6/373
D288,505 S *	3/1987	Yamasaki .....	D6/360
D306,662 S *	3/1990	Gera .....	D6/381
D318,183 S *	7/1991	Fister, Jr. ....	D6/334
D318,576 S *	7/1991	Fister, Jr. ....	D6/334
D336,376 S *	6/1993	Hollington .....	D6/334
D340,142 S *	10/1993	Totoro .....	D6/367
D341,728 S *	11/1993	Grosfillex .....	D6/379
D360,309 S *	7/1995	Lowman .....	D6/334

D365,212 S *	12/1995	Lowman .....	D6/379
D368,378 S *	4/1996	Laslo .....	D6/334
D376,483 S *	12/1996	Yamasaki .....	D6/367
D381,527 S *	7/1997	Williams .....	D6/381
D383,318 S *	9/1997	Chandler .....	D6/334
D392,469 S *	3/1998	De Blaay .....	D6/334
D400,719 S *	11/1998	Gera .....	D6/334
D411,385 S *	6/1999	Christa et al. ....	D6/381
D417,558 S *	12/1999	Staubach et al. ....	D6/334
D430,740 S *	9/2000	Chun .....	D6/334
D439,402 S *	3/2001	Johnson .....	D3/219
D439,420 S *	3/2001	Natuzzi et al. ....	D6/334
D441,979 S *	5/2001	Watson .....	D6/381
D443,991 S *	6/2001	Picotti .....	D6/366
D458,466 S *	6/2002	McCairley .....	D6/365
D475,539 S *	6/2003	Savini .....	D6/334
D492,499 S *	7/2004	Relling et al. ....	D6/381
D498,070 S *	11/2004	Sauer .....	D6/373
D499,270 S *	12/2004	Relling et al. ....	D6/381
D504,782 S *	5/2005	Moser .....	D6/334
D505,561 S *	5/2005	Ricci .....	D6/369
D506,092 S *	6/2005	Moser .....	D6/492
D535,124 S *	1/2007	Garcia .....	D6/492
D543,716 S *	6/2007	Votteler et al. ....	D6/366
D551,875 S *	10/2007	Ricci .....	D6/381

(Continued)

Primary Examiner — Sandra Snapp

(74) *Attorney, Agent, or Firm* — Buchanan Ingersoll & Rooney PC

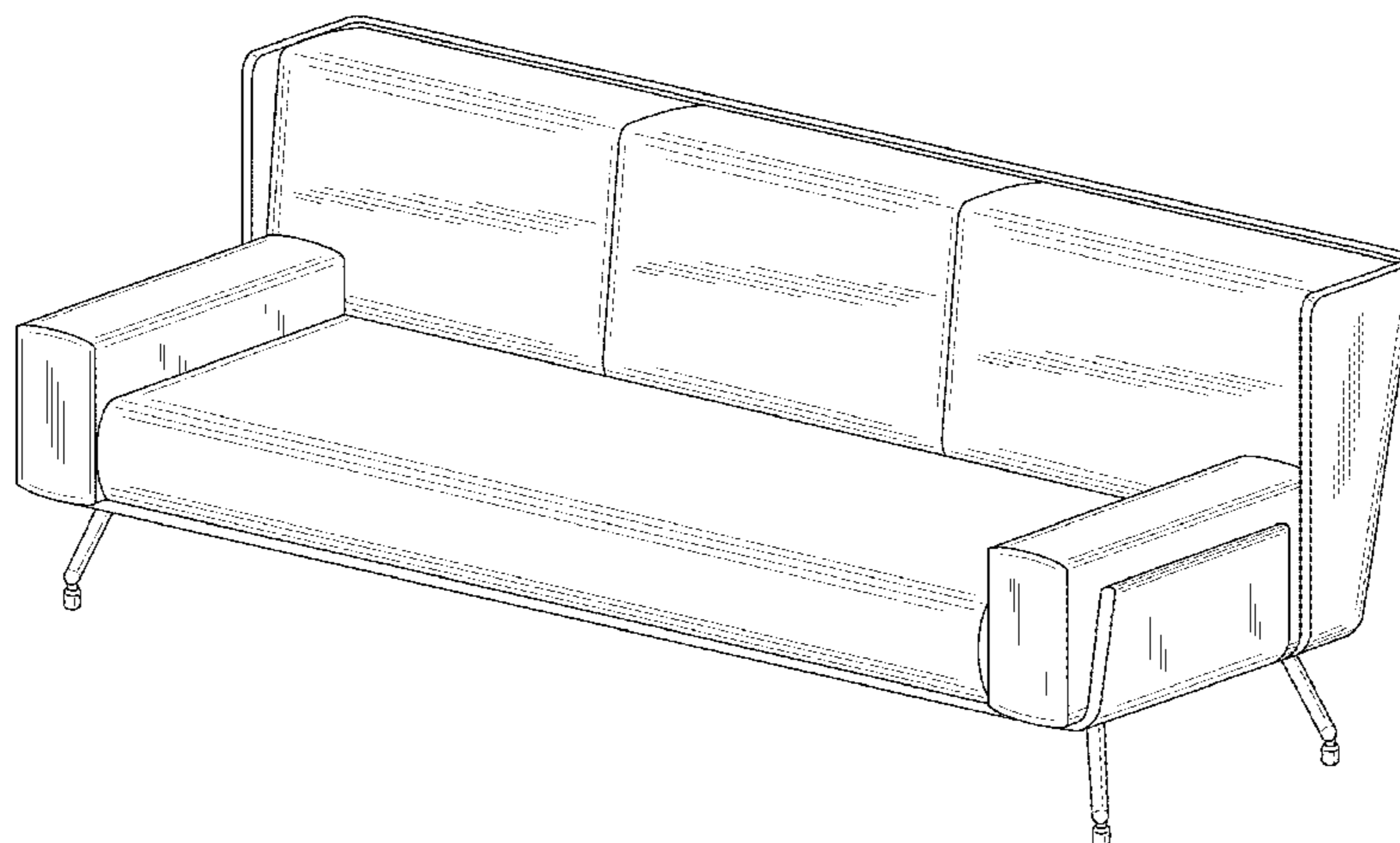
(57) **CLAIM**

The ornamental design for a sofa, as shown and described.

**DESCRIPTION**

FIG. 1 is a perspective view of a sofa showing our new design; FIG. 2 is a front elevational view thereof; FIG. 3 is a rear elevational view thereof; FIG. 4 is a top plan view thereof; FIG. 5 is a right side elevational view thereof; and, FIG. 6 is a left side elevational view thereof.

**1 Claim, 6 Drawing Sheets**



(56)

**References Cited**

U.S. PATENT DOCUMENTS

D554,917 S \* 11/2007 Hutton ..... D6/502  
D558,468 S \* 1/2008 Lade ..... D6/334  
D558,469 S \* 1/2008 Lade ..... D6/334  
D577,498 S \* 9/2008 Schmitt ..... D6/334  
D606,325 S \* 12/2009 Gharabegian ..... D6/334  
D616,215 S \* 5/2010 Andersen ..... D6/381

D616,656 S \* 6/2010 Denton ..... D6/367  
D616,657 S \* 6/2010 Denton ..... D6/367  
D626,756 S \* 11/2010 Flender et al. .... D6/334  
D630,450 S \* 1/2011 Wold ..... D6/381  
D633,312 S \* 3/2011 Wold ..... D6/381  
D633,725 S \* 3/2011 Massaud ..... D6/334  
D633,726 S \* 3/2011 Wold ..... D6/381  
D633,727 S \* 3/2011 Wold ..... D6/381

\* cited by examiner

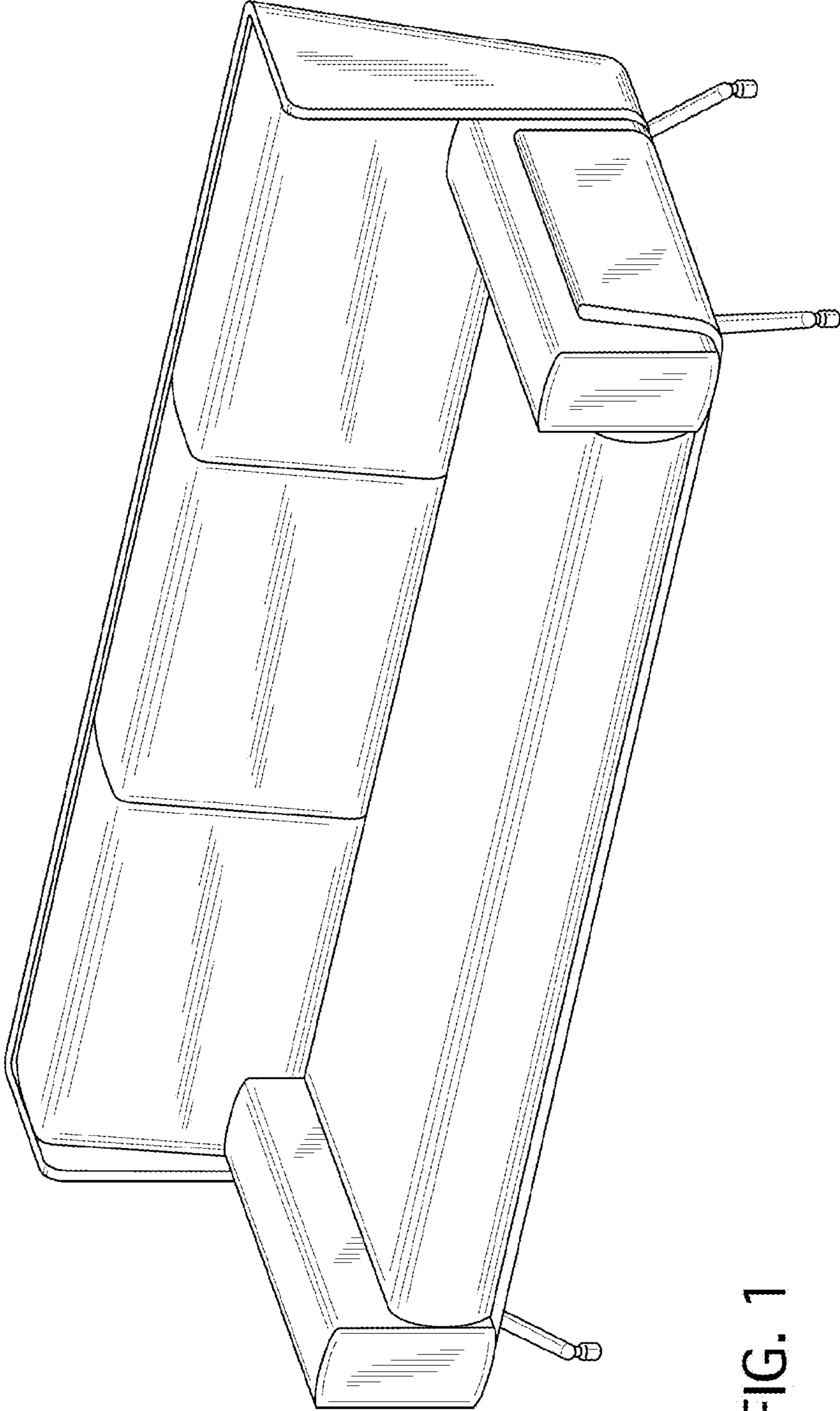


FIG. 1

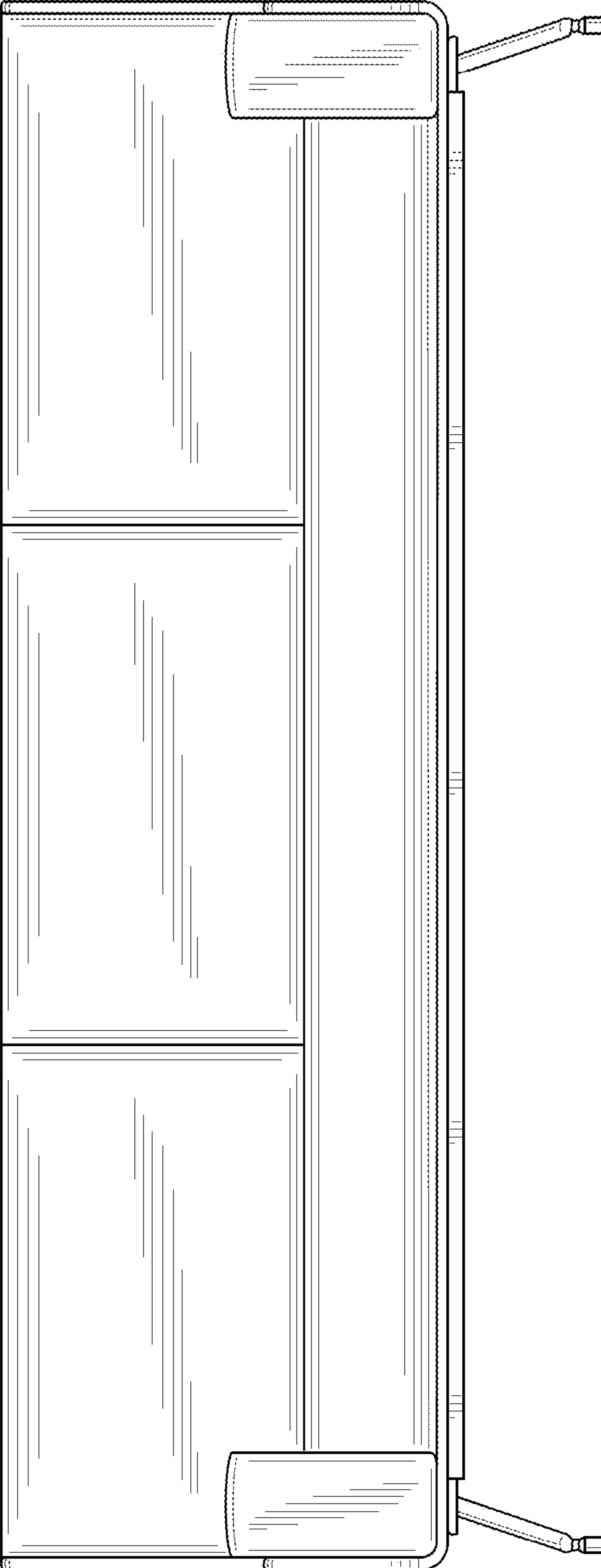


FIG. 2

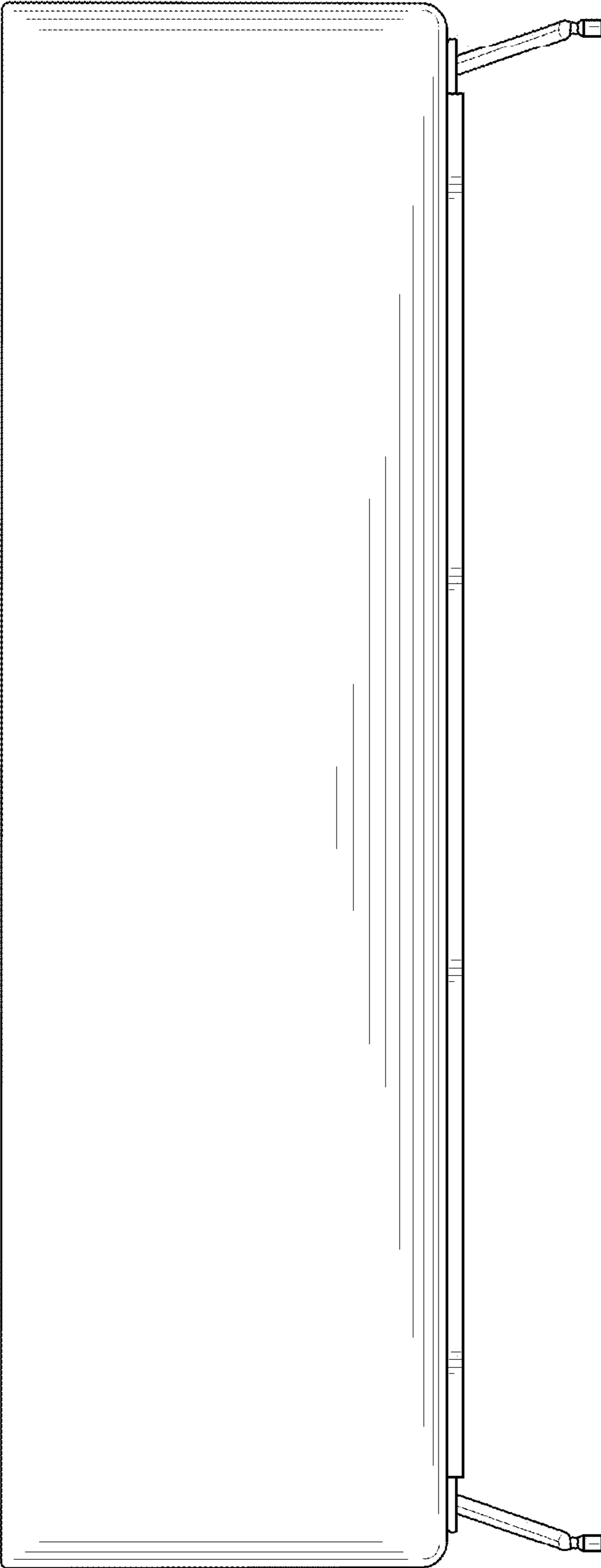


FIG. 3

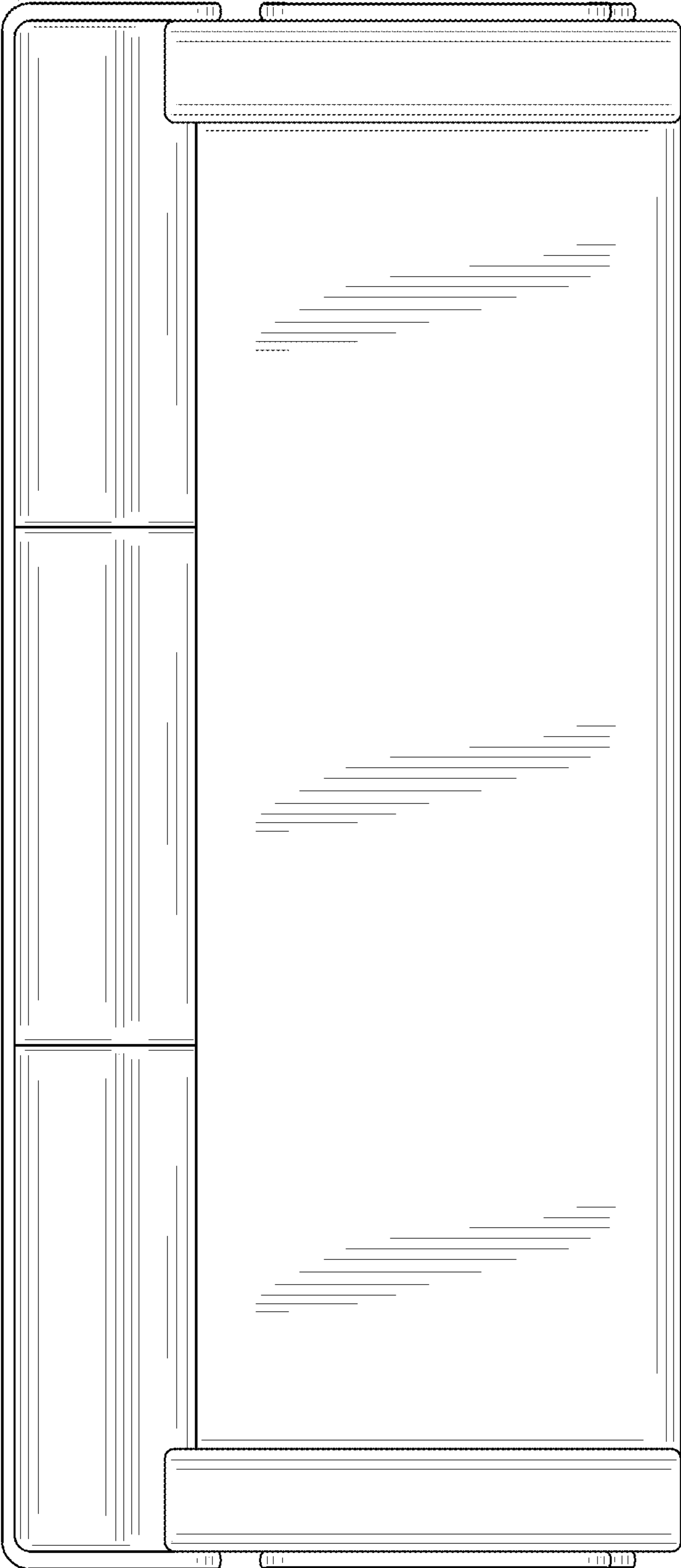


FIG. 4

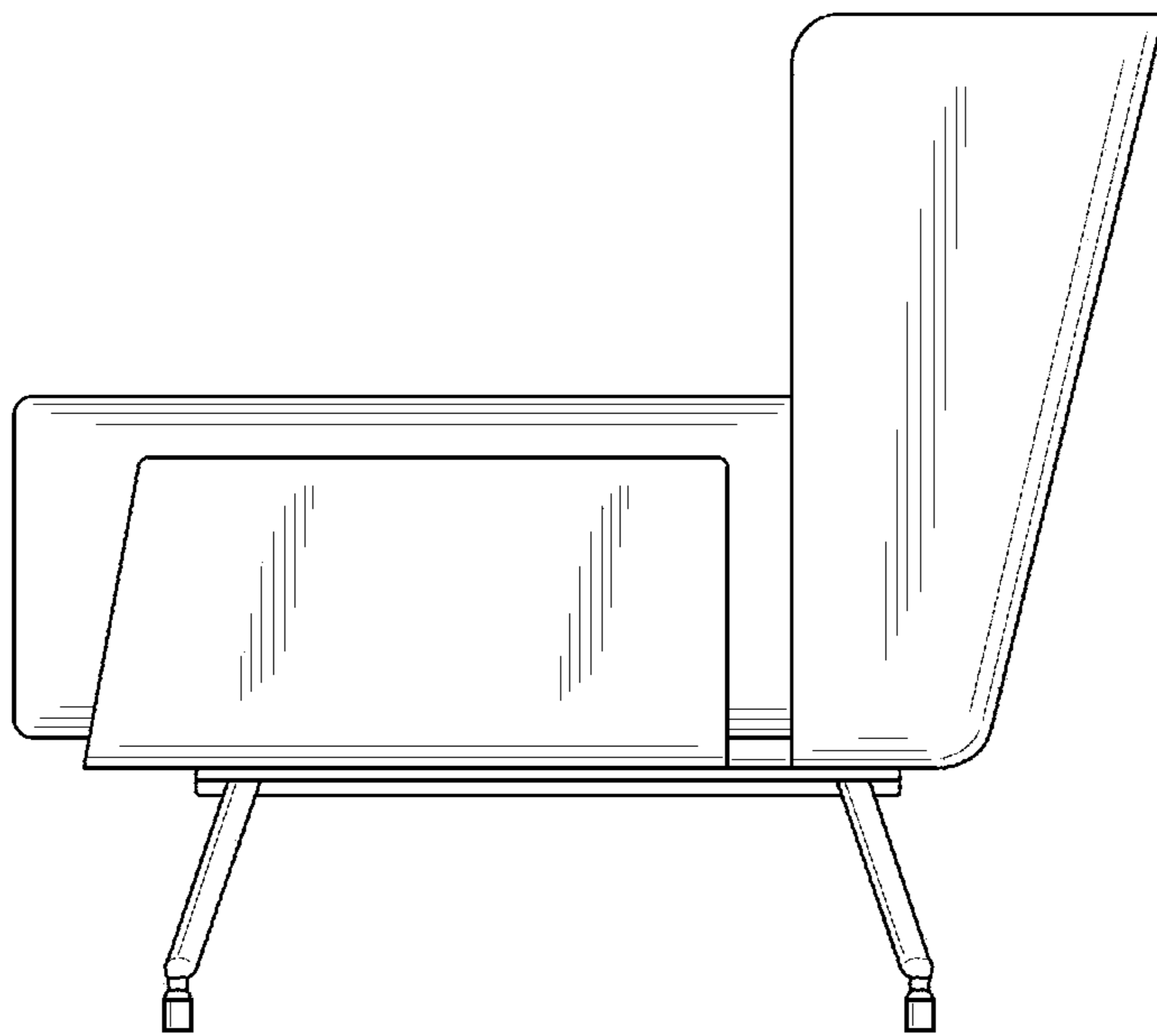


FIG. 5

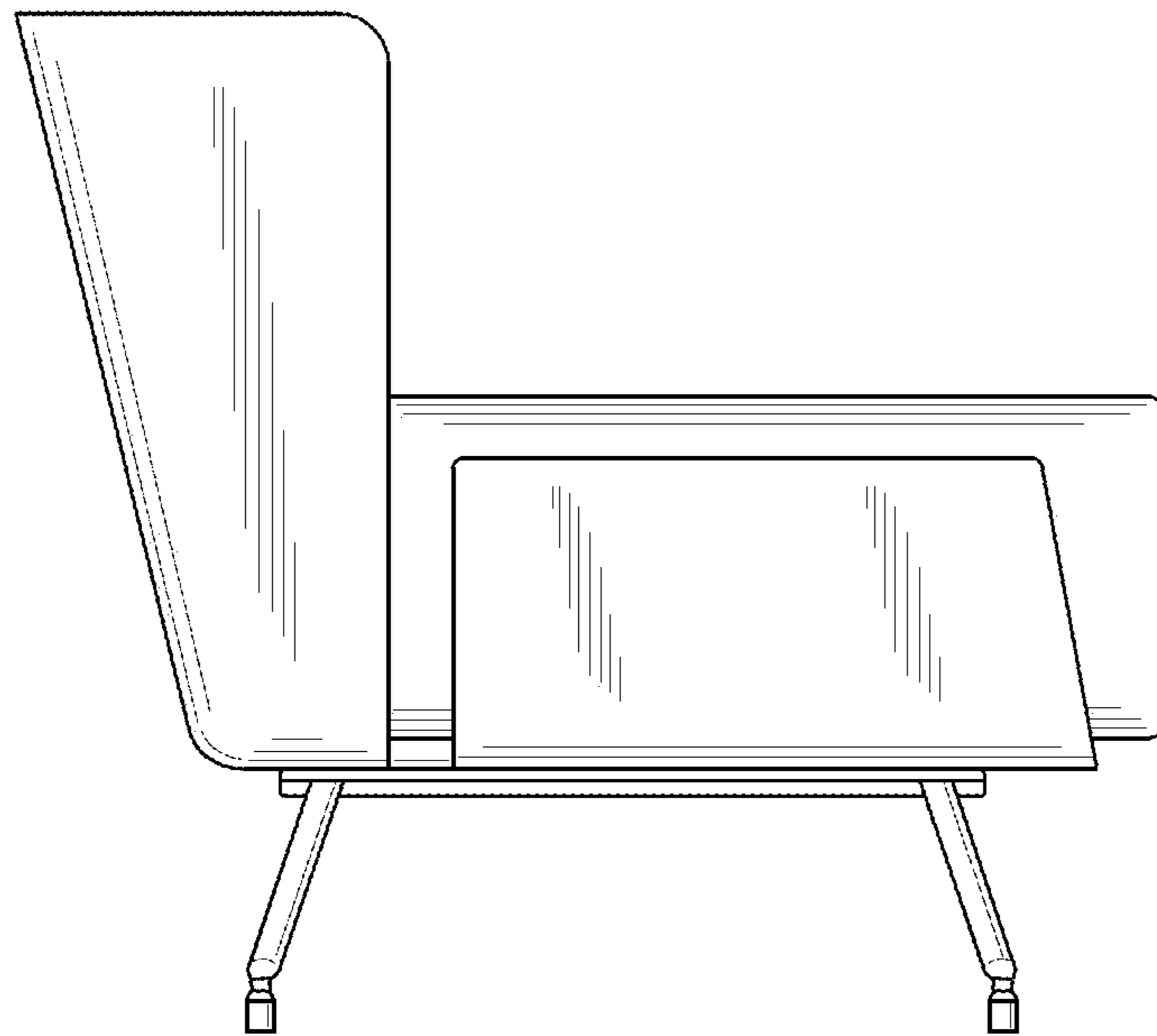


FIG. 6