



US00D690950S

(12) **United States Design Patent**
Lievore et al.

(10) **Patent No.:** **US D690,950 S**
(45) **Date of Patent:** **** Oct. 8, 2013**

- (54) **CHAIR**
- (75) Inventors: **Alberto Lievore**, Treviso (IT);
Jeannette Altherr, Treviso (IT); **Manuel Molina**, Treviso (IT)
- (73) Assignee: **Arper S.p.A.**, Monastier di Treviso,
Treviso (IT)
- (**) Term: **14 Years**
- (21) Appl. No.: **29/428,438**
- (22) Filed: **Jul. 31, 2012**
- (30) **Foreign Application Priority Data**

2,364,050 A *	12/1944	Benson	297/445.1
D147,615 S *	10/1947	Eames	D6/374
D193,708 S *	10/1962	Keown	D6/375
D195,256 S *	5/1963	Anderson et al.	D6/374
D205,658 S *	9/1966	Muller	D6/374
D334,296 S *	3/1993	Hutton	D6/374
D395,758 S *	7/1998	Hutton	D6/334
D478,430 S *	8/2003	Olson	D6/380
D498,069 S *	11/2004	Kreiss	D6/369
D504,580 S *	5/2005	Kreiss	D6/380
D515,325 S *	2/2006	Goldman	D6/375
D562,581 S *	2/2008	Marin	D6/369
D596,869 S *	7/2009	Massaud	D6/369

* cited by examiner

Primary Examiner — Mimosa De

(74) *Attorney, Agent, or Firm* — Shoemaker and Mattare

Apr. 16, 2012 (WO) 664226601

- (51) **LOC (9) Cl.** **06-01**
- (52) **U.S. Cl.**
USPC **D6/375**

- (58) **Field of Classification Search**
USPC D6/334–336, 369, 370, 371–373,
D6/374, 375, 379, 380, 716, 716.1, 716.2,
D6/716.3, 716.4; 297/239, 445.1, 446.1,
297/451.12, 451.14, 452.19
See application file for complete search history.

- (56) **References Cited**

U.S. PATENT DOCUMENTS

454,100 A * 6/1891 Wilson 297/445.1

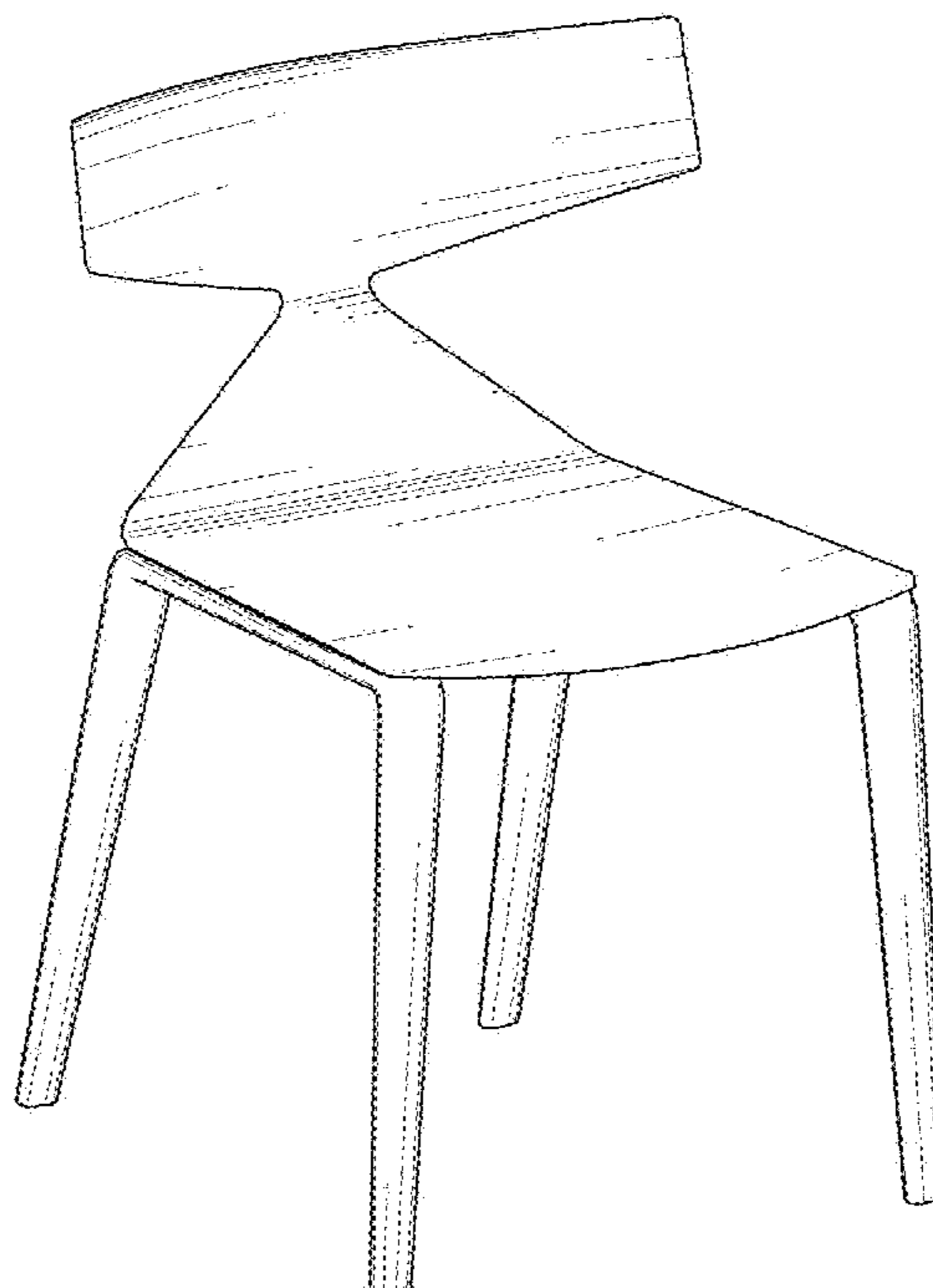
(57) **CLAIM**

The ornamental design for a chair, as shown and described.

DESCRIPTION

FIG. 1 is a perspective view of a chair, showing our new design from the front, top and right side; FIG. 2 is a left side view thereof; FIG. 3 is a right side view thereof; FIG. 4 is a front elevational view thereof; FIG. 5 is a rear elevational view thereof; and, FIG. 6 is a top plan view thereof.

1 Claim, 6 Drawing Sheets



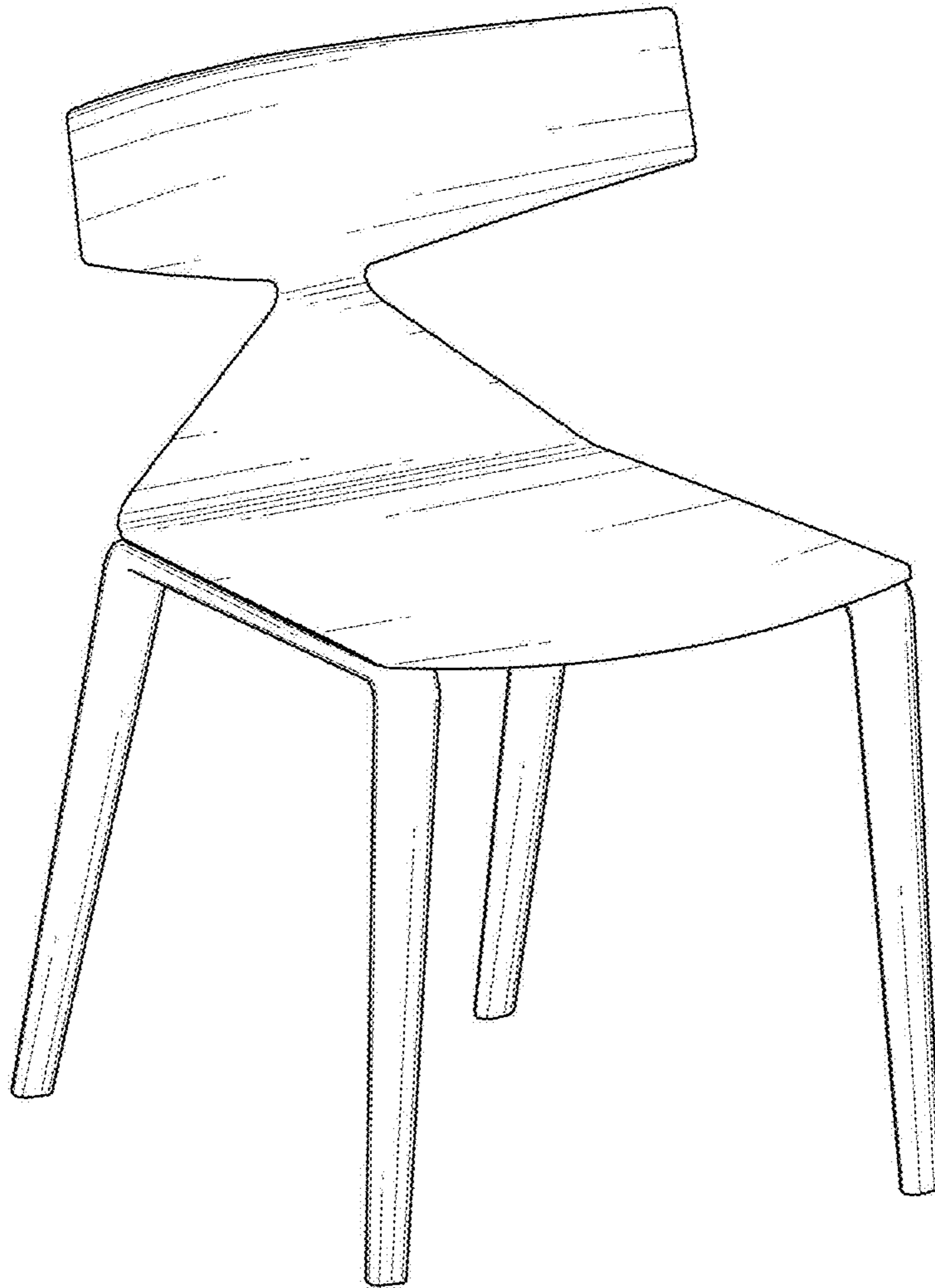


Fig. 1

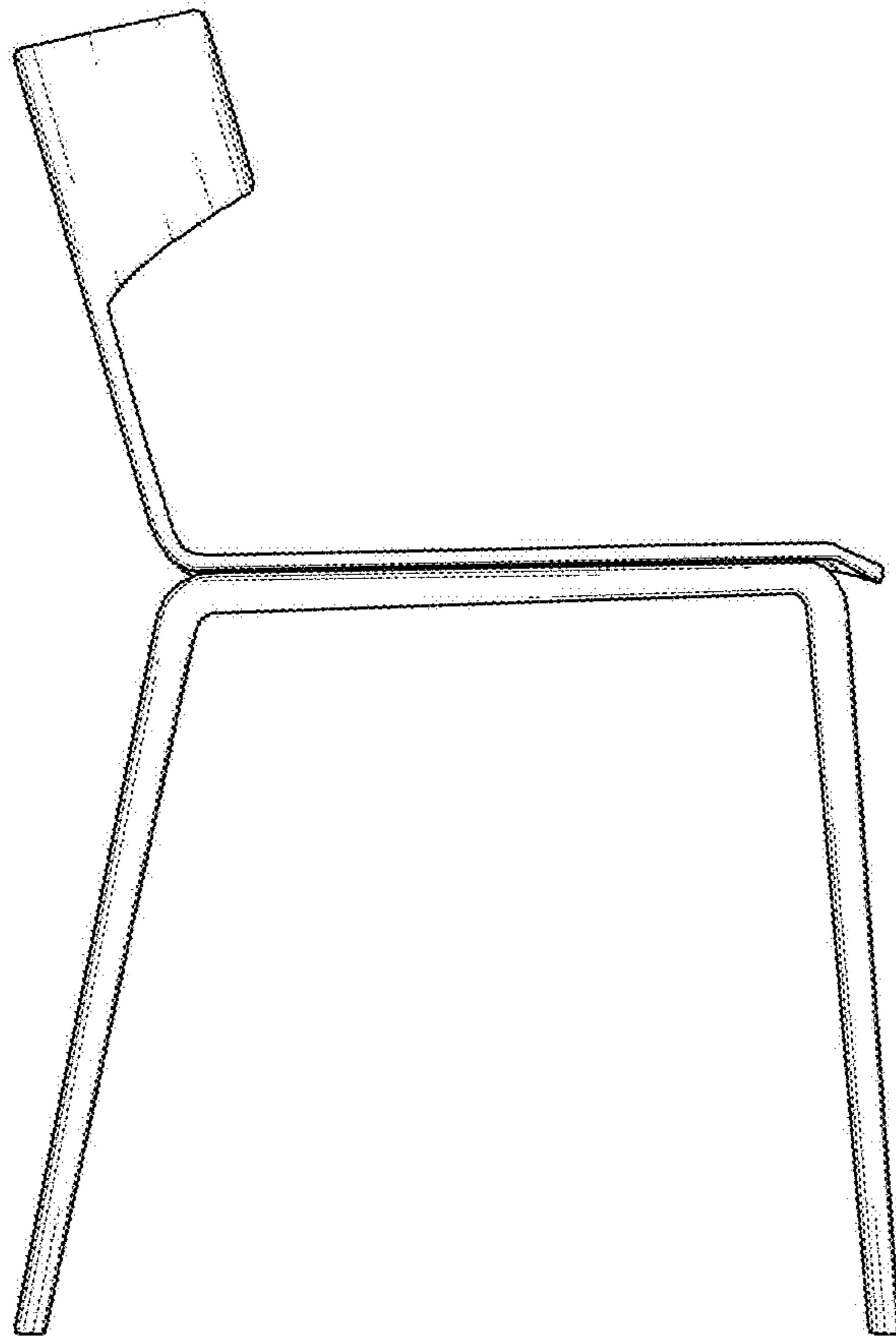


Fig. 2

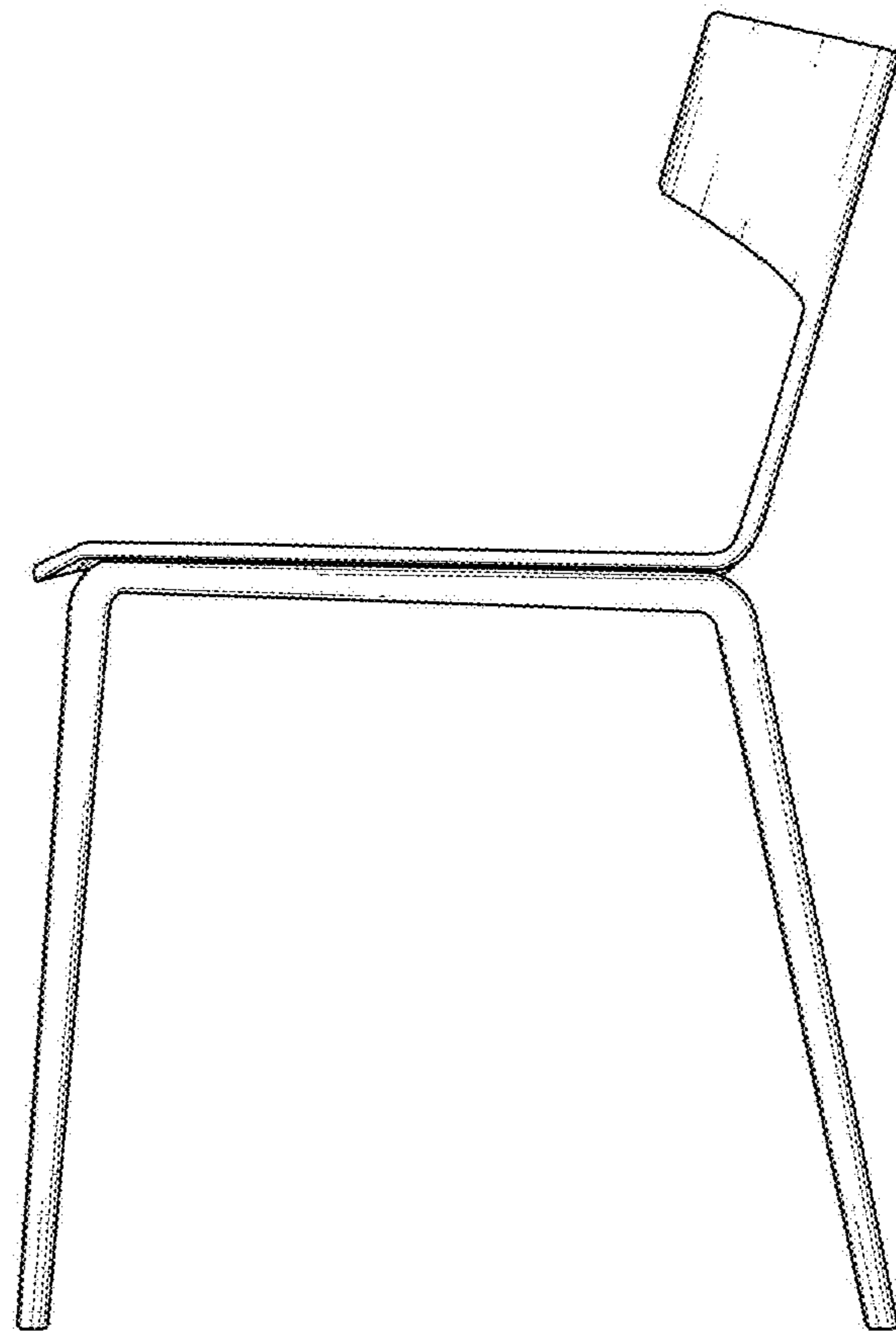


Fig. 3

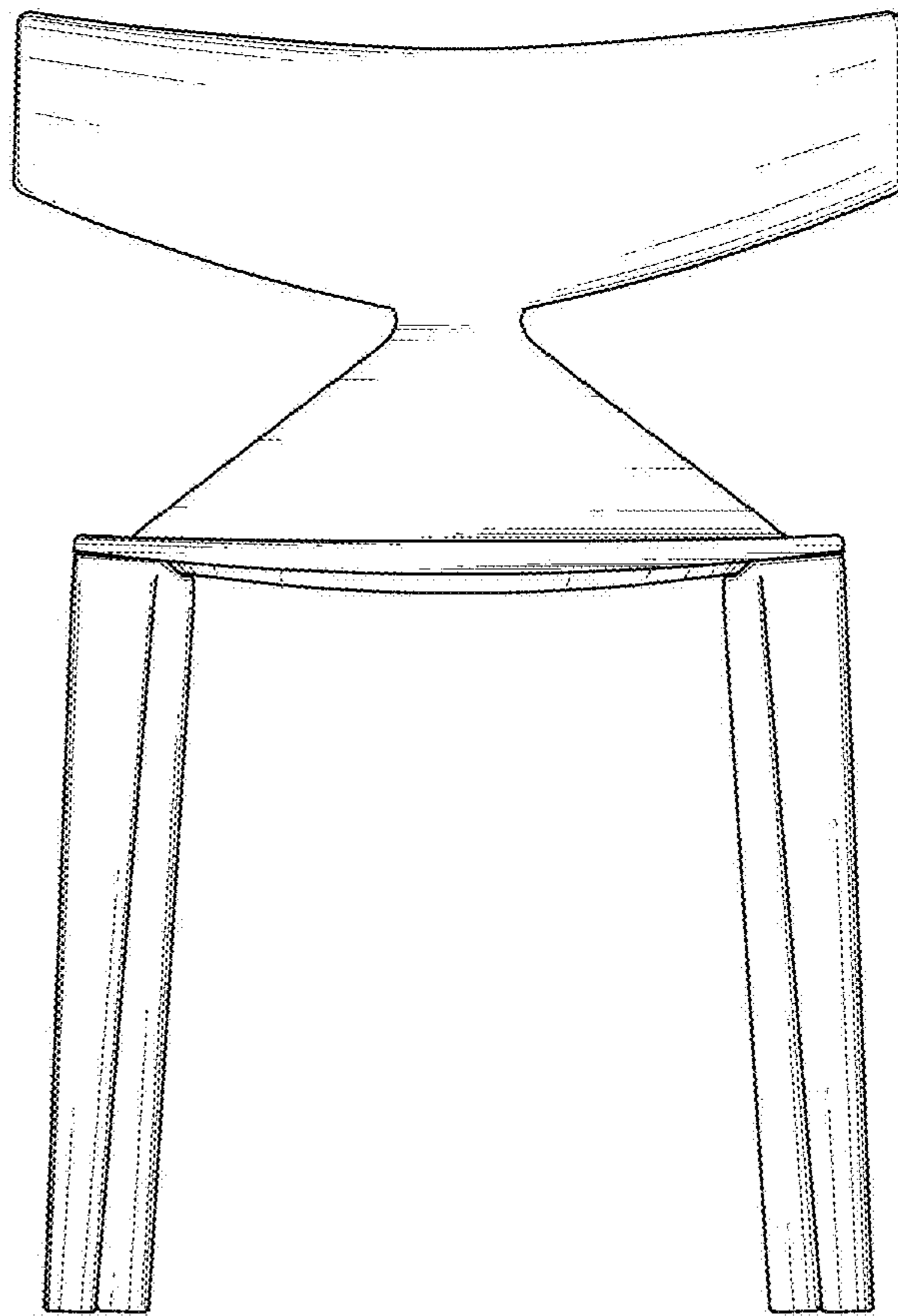


Fig. 4

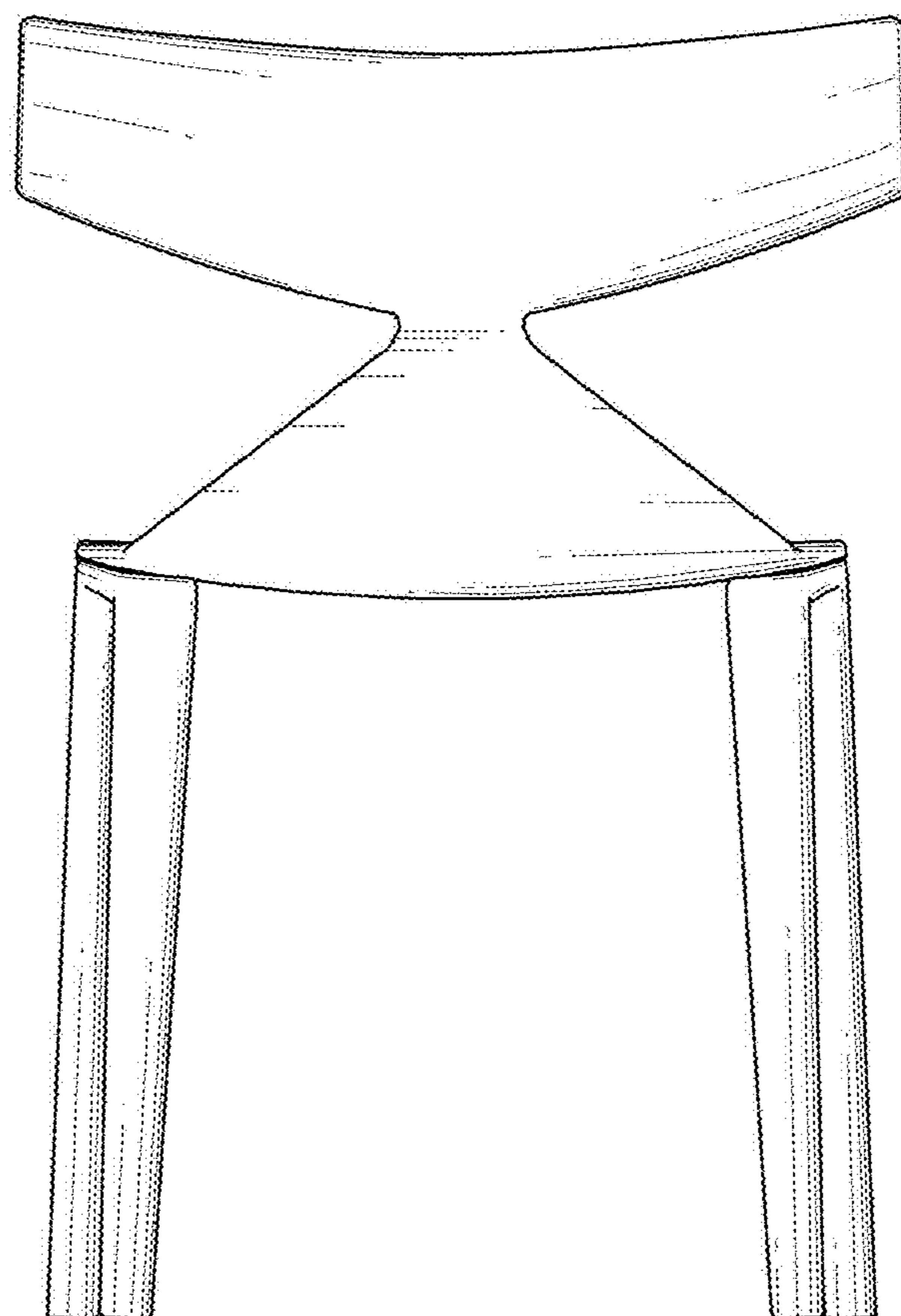


Fig. 5

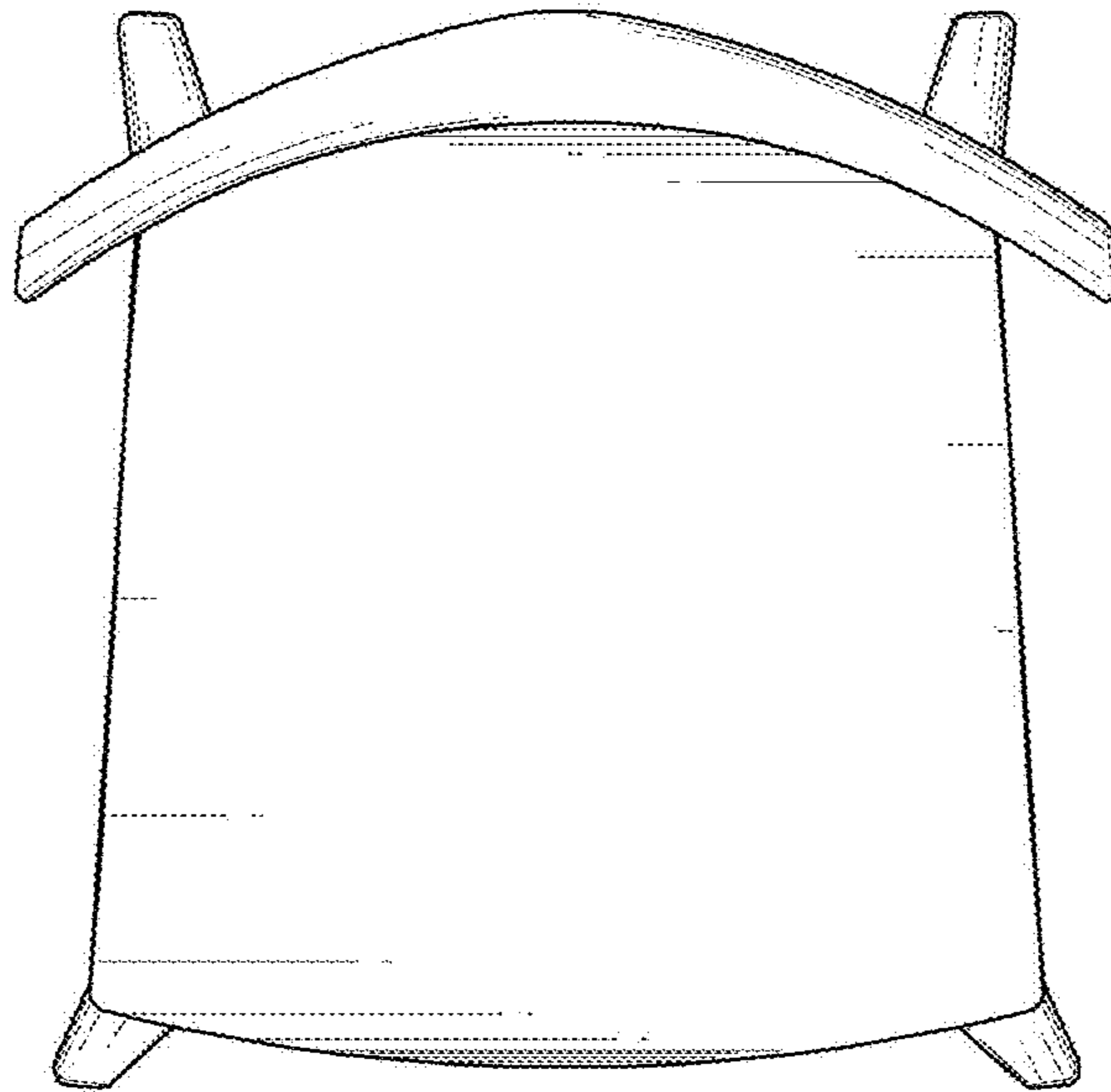


Fig. 6