

US00D690946S

(12) **United States Design Patent**
Goodman et al.

(10) **Patent No.:** **US D690,946 S**
(45) **Date of Patent:** **** Oct. 8, 2013**

(54) **FLOWER OVER THE CABINET/DRAWER
HANGER SUPPORT FOR HOUSEHOLD
ITEMS**

(75) Inventors: **Sheldon H. Goodman**, Solon, OH (US);
Omer I. Sazir, Brooklyn, NY (US);
Patrick Triato, Portland, OR (US)

(73) Assignee: **Spectrum Diversified Designs, Inc.**,
Streetsboro, OH (US)

(**) Term: **14 Years**

(21) Appl. No.: **29/411,303**

(22) Filed: **Jan. 19, 2012**

Related U.S. Application Data

(63) Continuation-in-part of application No. 29/341,400,
filed on Aug. 5, 2009, now Pat. No. Des. 654,705.

(51) **LOC (9) Cl.** **06-08**

(52) **U.S. Cl.**
USPC **D6/323**

(58) **Field of Classification Search**
USPC D6/315-328; D8/349, 354, 356,
D8/359, 367, 371, 372, 376, 380; 211/1,
211/13.1, 85.3, 87, 106, 119, 183; 223/85-98;
40/322; 248/75, 89, 251, 302
See application file for complete search history.

(56) **References Cited**

U.S. PATENT DOCUMENTS

D28,028 S	12/1897	Walker	
D154,554 S	7/1949	Lipsitz	
D172,842 S	8/1954	Scheer et al.	
2,968,408 A	1/1961	Weidt	
3,433,449 A *	3/1969	Musante	248/497
D224,866 S	10/1972	Hammer	
D331,855 S	12/1992	Kaplan	
D377,896 S *	2/1997	Mesna et al.	D8/367

5,890,638 A	4/1999	Woloshen	
D416,788 S	11/1999	Jones et al.	
D421,565 S	3/2000	Jones et al.	
D438,714 S	3/2001	Osborne	
D441,966 S	5/2001	Lai	
D444,377 S	7/2001	Harvey	
D446,658 S	8/2001	Osborne	
D467,791 S	12/2002	Goodman et al.	
D468,624 S	1/2003	Goodman et al.	
D468,949 S	1/2003	Howard	
D475,611 S *	6/2003	Goodman et al.	D8/370
D477,526 S *	7/2003	Goodman et al.	D8/370
D478,450 S	8/2003	Howard	
D481,928 S *	11/2003	Goodman et al.	D8/372
D482,600 S	11/2003	Dretzka	
D557,120 S	12/2007	Snell	
D576,021 S *	9/2008	Goodman et al.	D8/372
D580,185 S	11/2008	Lee	
D587,936 S	3/2009	Johnson	

(Continued)

Primary Examiner — Derrick Holland

Assistant Examiner — Lauren Calve

(74) *Attorney, Agent, or Firm* — Pearne & Gordon LLP

(57) **CLAIM**

The ornamental design for a flower over the cabinet/drawer hanger support for household items, as shown and described.

DESCRIPTION

FIG. 1 is a perspective view of a flower over the cabinet/drawer hanger support for household items showing our new design;

FIG. 2 is a top plan view thereof;

FIG. 3 is a front elevational view thereof;

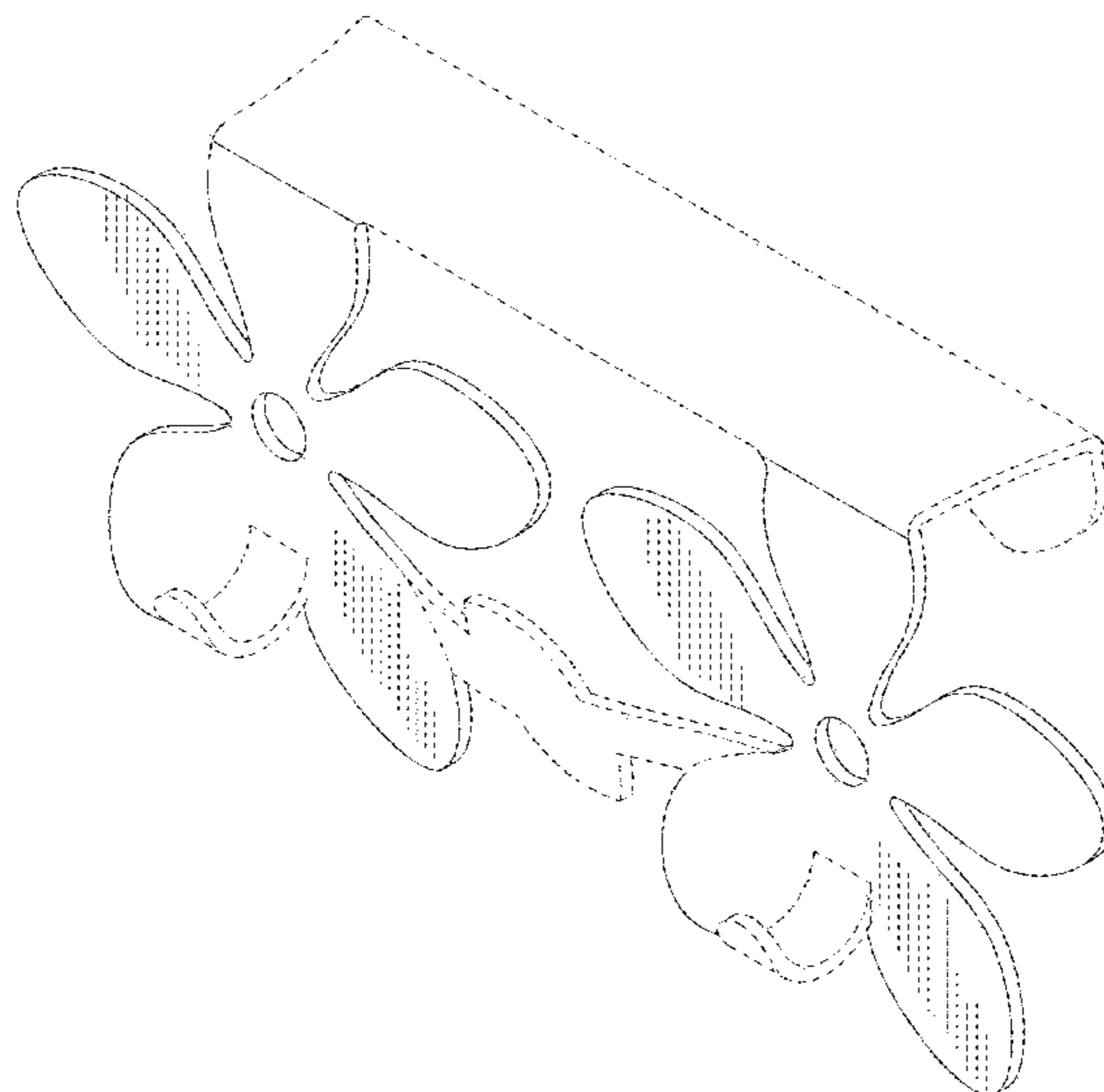
FIG. 4 is a bottom plan view thereof;

FIG. 5 is a right side elevational view thereof, the left side elevational view being a mirror image; and,

FIG. 6 is a rear elevational view thereof.

The broken showing in FIGS. 1-6 represents unclaimed subject matter and forms no part of the claimed design.

1 Claim, 3 Drawing Sheets



US D690,946 S

Page 2

(56)

References Cited

U.S. PATENT DOCUMENTS

D608,579 S 1/2010 Goodman et al.
D609,995 S * 2/2010 Hager et al. D8/367
D631,334 S * 1/2011 Goodman et al. D8/367

D641,230 S * 7/2011 Goodman et al. D8/367
D648,618 S * 11/2011 Goodman et al. D8/367
D654,705 S * 2/2012 Goodman et al. D6/323
D656,389 S * 3/2012 Goodman et al. D8/367

* cited by examiner

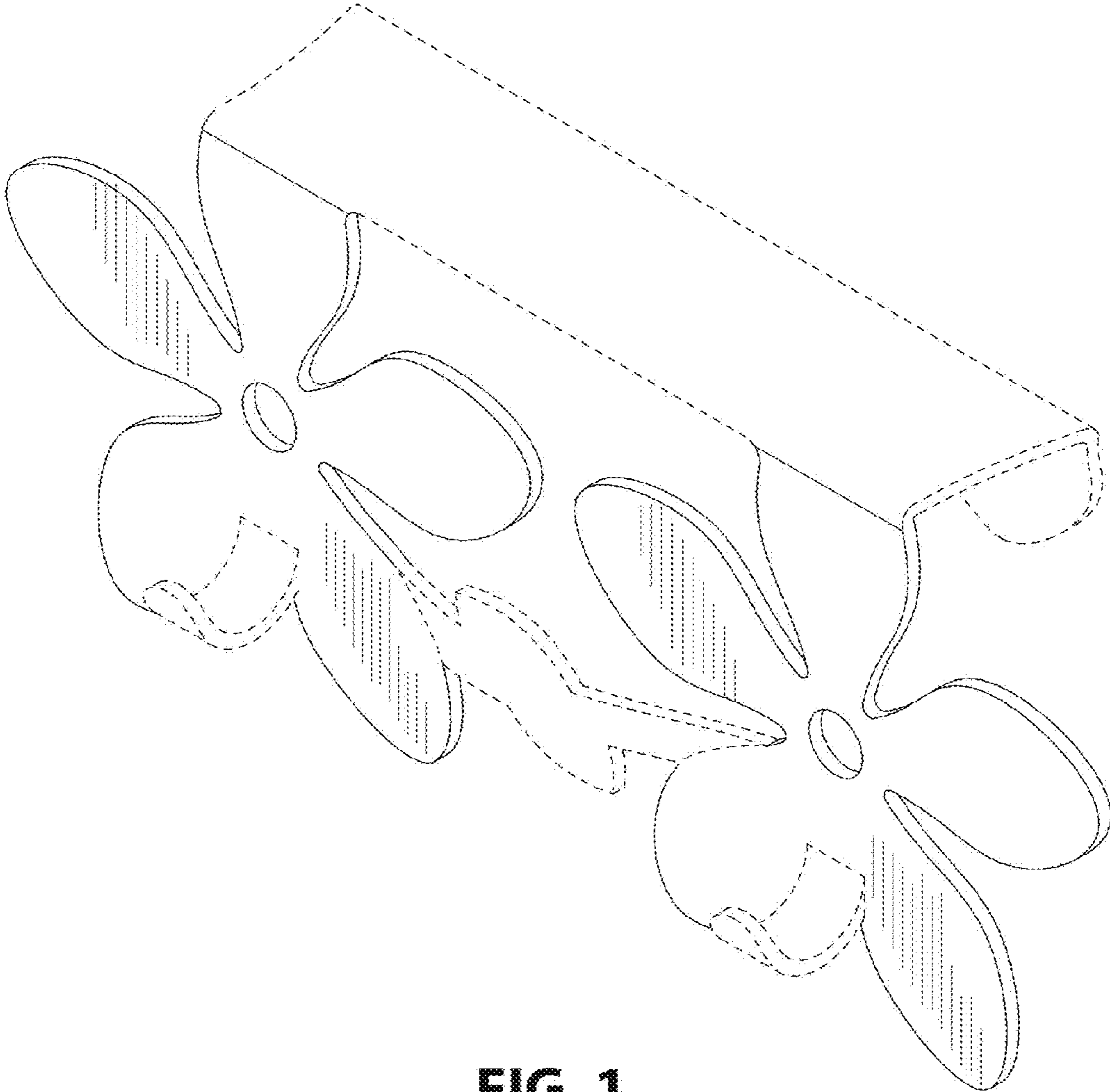


FIG. 1

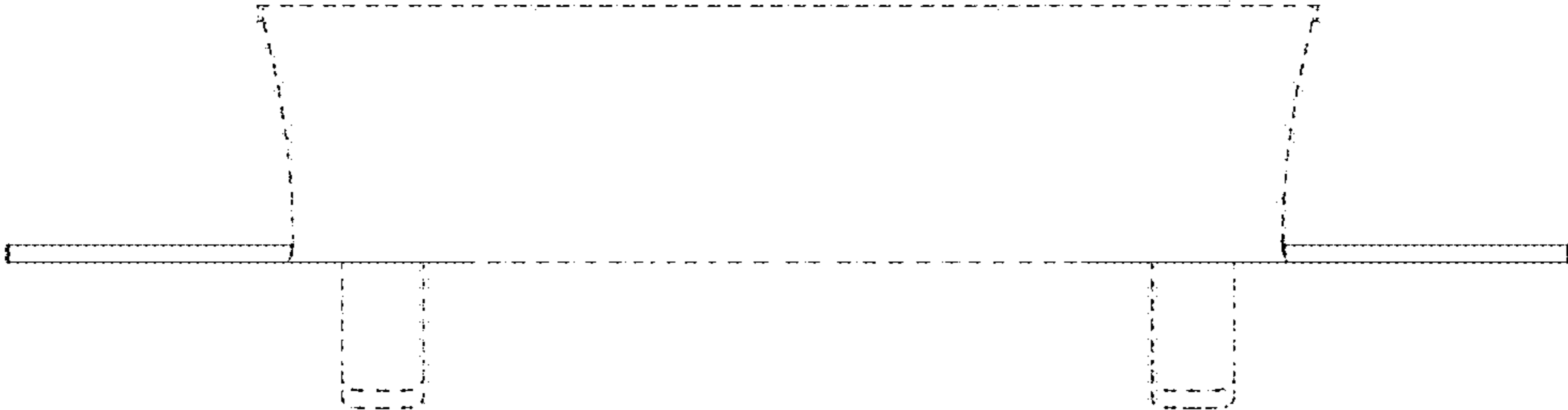


FIG. 2

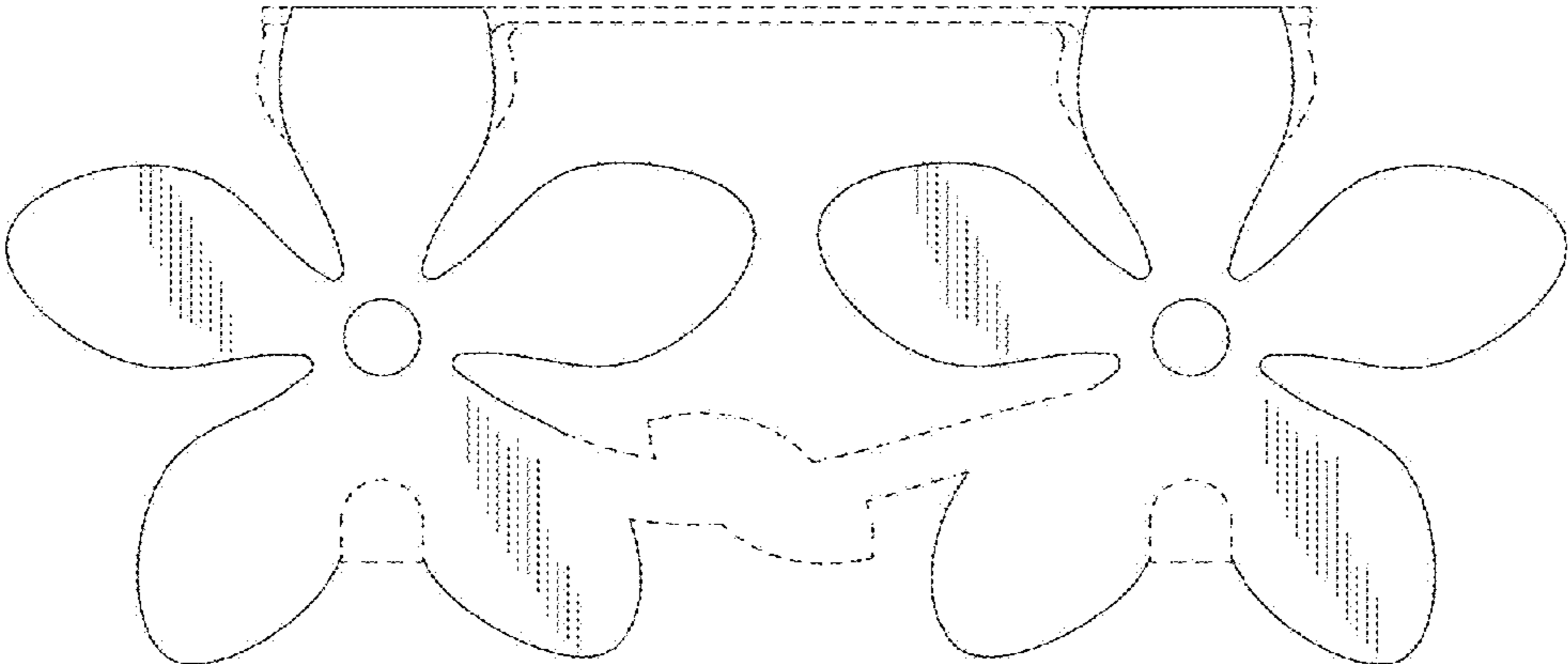


FIG. 3

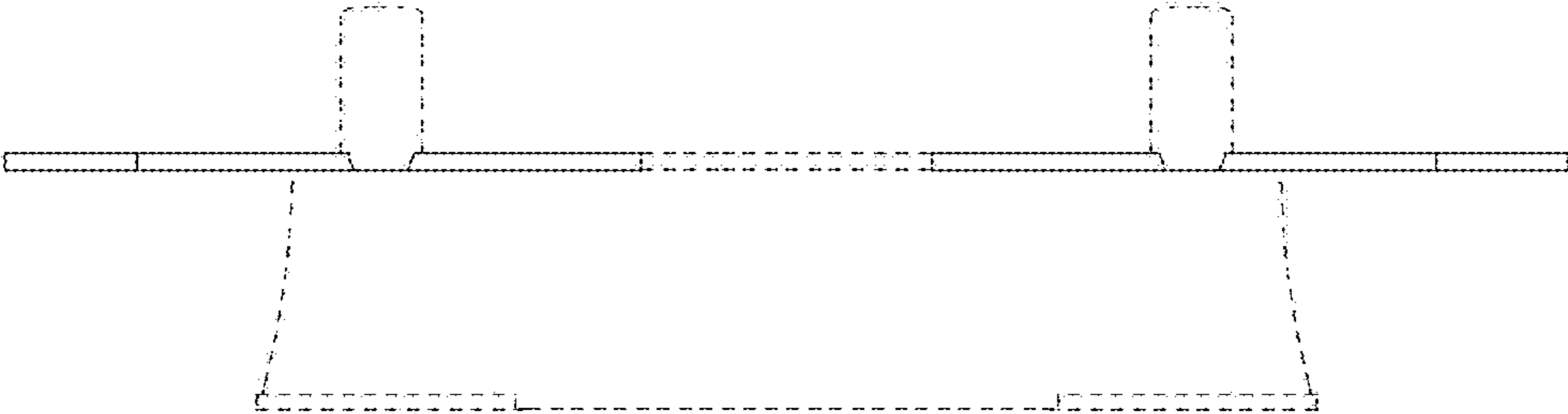


FIG. 4

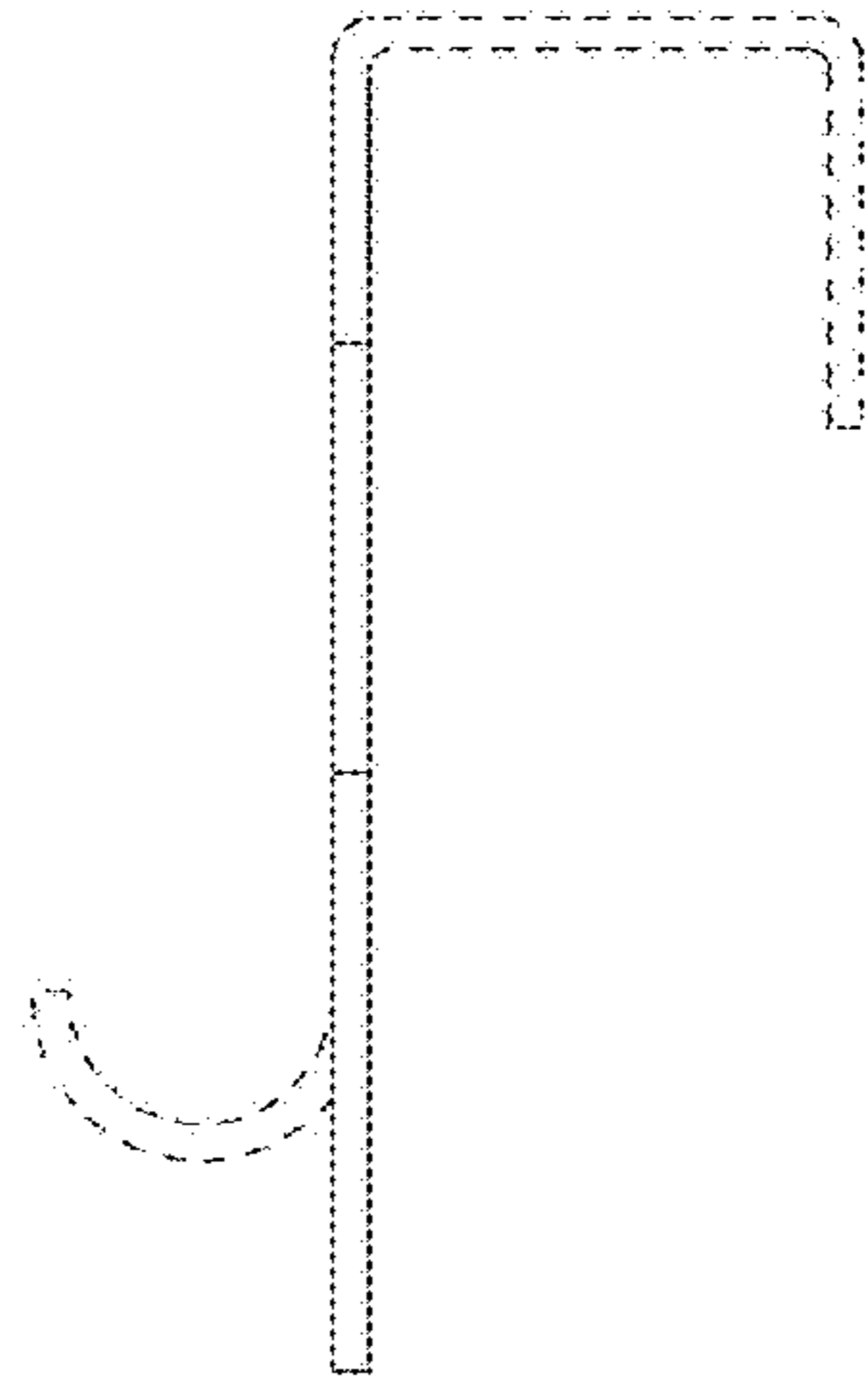


FIG. 5

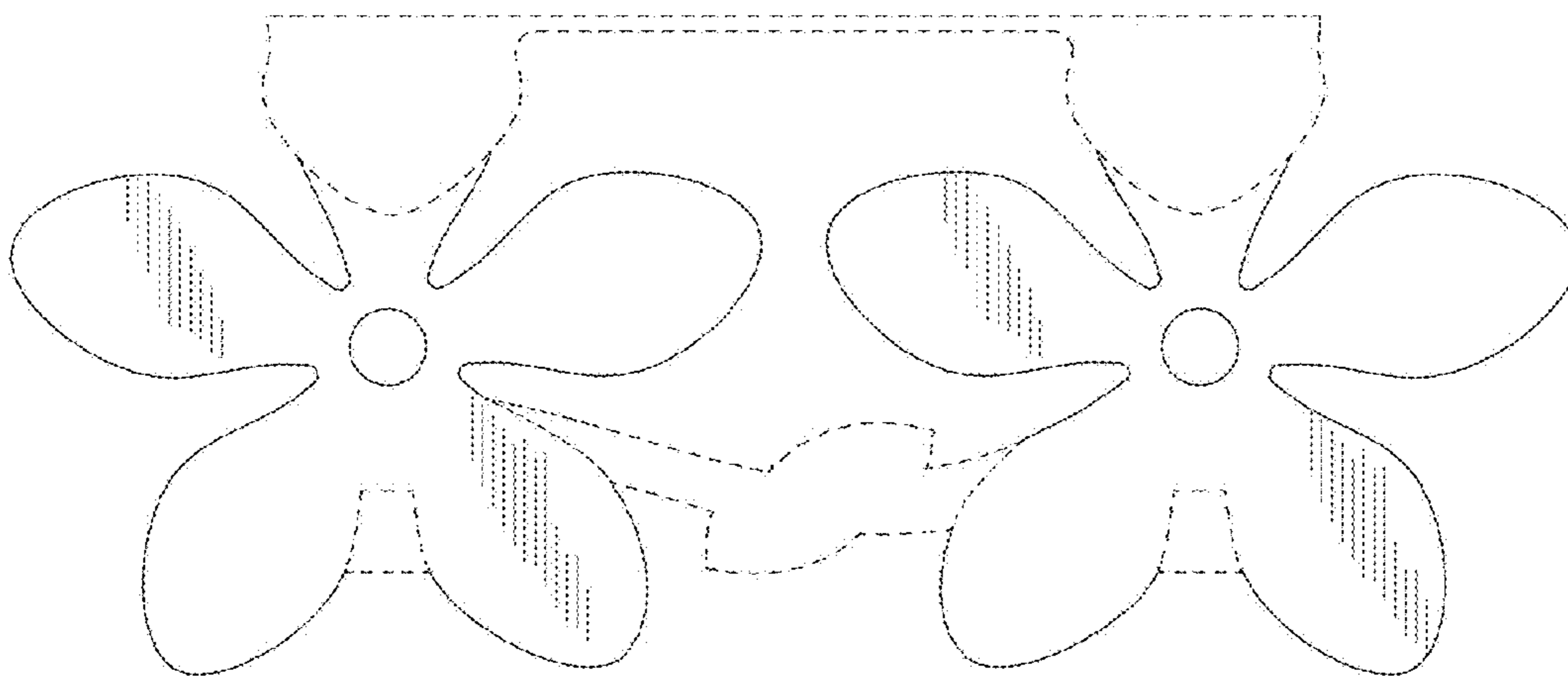


FIG. 6