



US00D690944S

(12) **United States Design Patent**
Lee et al.

(10) **Patent No.:** **US D690,944 S**
(45) **Date of Patent:** **** Oct. 8, 2013**

(54) **LINT ROLLER**

(71) Applicant: **3M Innovative Properties Company,**
St. Paul, MN (US)

(72) Inventors: **In-Hwan Lee,** Gyeonggi-do (KR);
Eun-Haun Cho, Seoul (KR)

(73) Assignee: **3M Innovative Properties Company,**
St. Paul, MN (US)

(**) Term: **14 Years**

(21) Appl. No.: **29/439,613**

(22) Filed: **Dec. 13, 2012**

(30) **Foreign Application Priority Data**

Jun. 15, 2012 (KR) 30-2012-0029394

(51) **LOC (9) Cl.** **04-01**

(52) **U.S. Cl.**
USPC **D4/122**

(58) **Field of Classification Search**
USPC D4/122, 138; 15/27, 104.001, 104.002,
15/230.11; 492/13, 16-19
See application file for complete search history.

(56) **References Cited**

U.S. PATENT DOCUMENTS

2,087,888 A * 7/1937 Adams 15/230.11
D206,258 S * 11/1966 Roth D4/122
3,343,194 A * 9/1967 Ramelson 15/104.002
D532,203 S * 11/2006 Tuman et al. D4/122
D627,565 S * 11/2010 Tyce et al. D4/102

D637,403 S * 5/2011 Schmidt D4/122
D638,222 S * 5/2011 Molinet et al. D4/122
D661,491 S * 6/2012 Bunnag et al. D4/122
D671,748 S * 12/2012 Guyton et al. D4/122

FOREIGN PATENT DOCUMENTS

KR 1994-0001893 3/1994
KR 10-0736863 7/2007
KR 20-2010-0001735 2/2010
KR 10-2010-0120748 11/2010
KR 10-2012-0039355 4/2012

* cited by examiner

Primary Examiner — Austin Murphy

(74) *Attorney, Agent, or Firm* — Irina Hass

(57) **CLAIM**

The ornamental design for a lint roller, as shown and described.

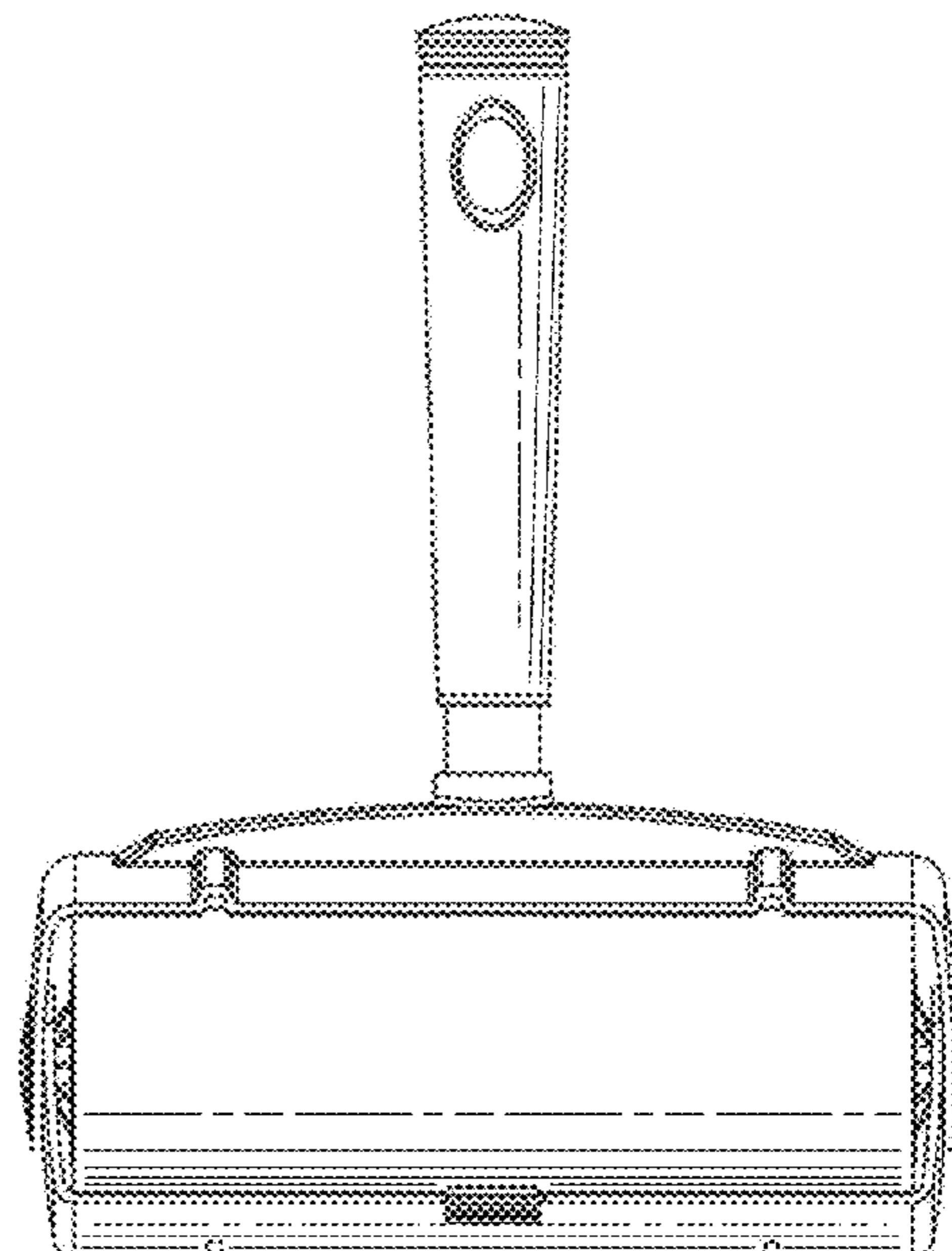
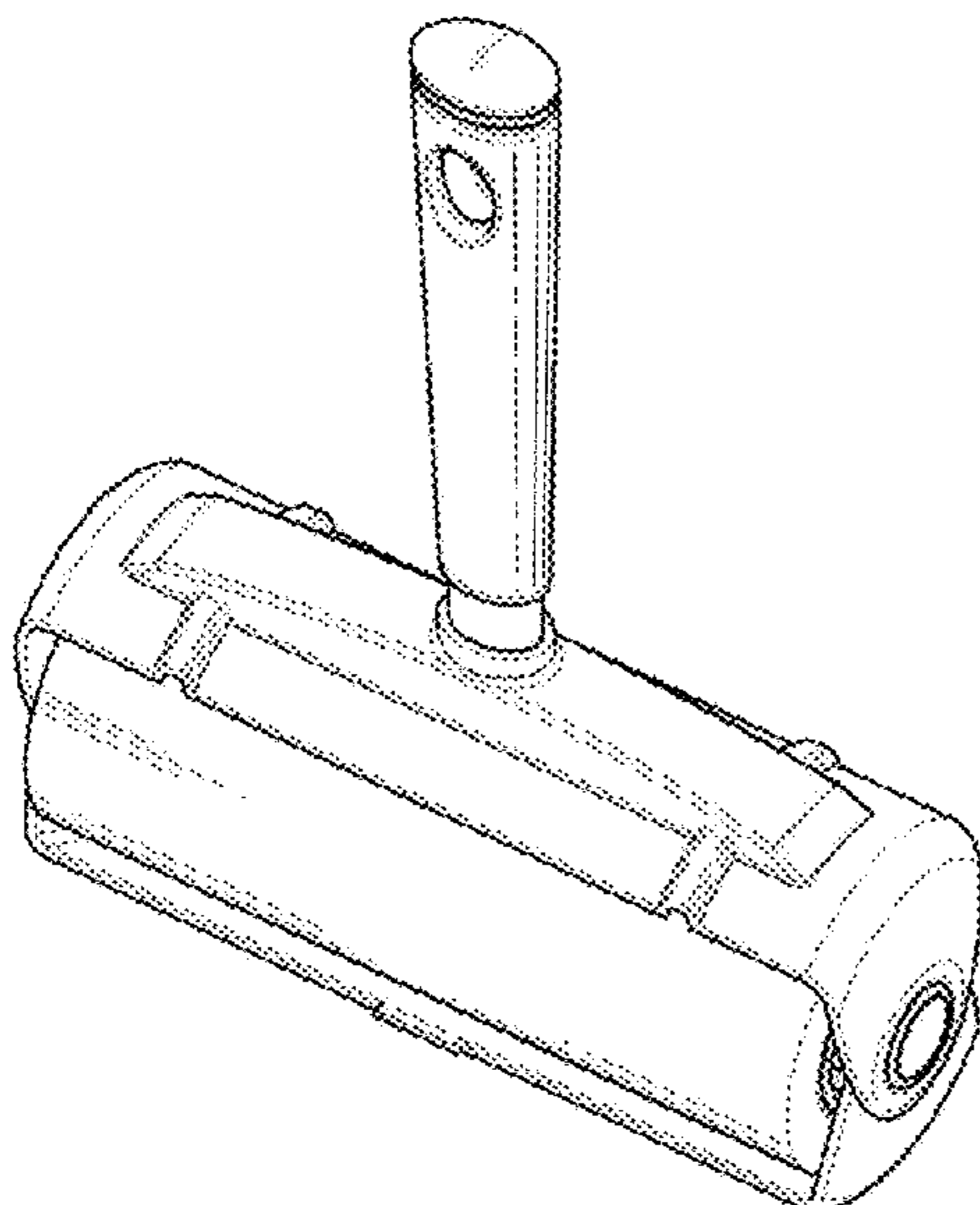
DESCRIPTION

FIG. 1 is a prospective view of the new design for a lint roller; FIG. 2 is a front view thereof; FIG. 3 is a left side view thereof, a right side view being a mirror image thereof; FIG. 4 is a top view thereof; FIG. 5 is a bottom view thereof; and, FIG. 6 is a side view thereof showing the lint roller in an open position.

The broken lines shown in FIG. 6 form no part of the claimed design.

The surface shading illustrated in the drawings is provided merely to highlight the contour of design; it is not intended to be illustrative of texture or gloss.

1 Claim, 3 Drawing Sheets



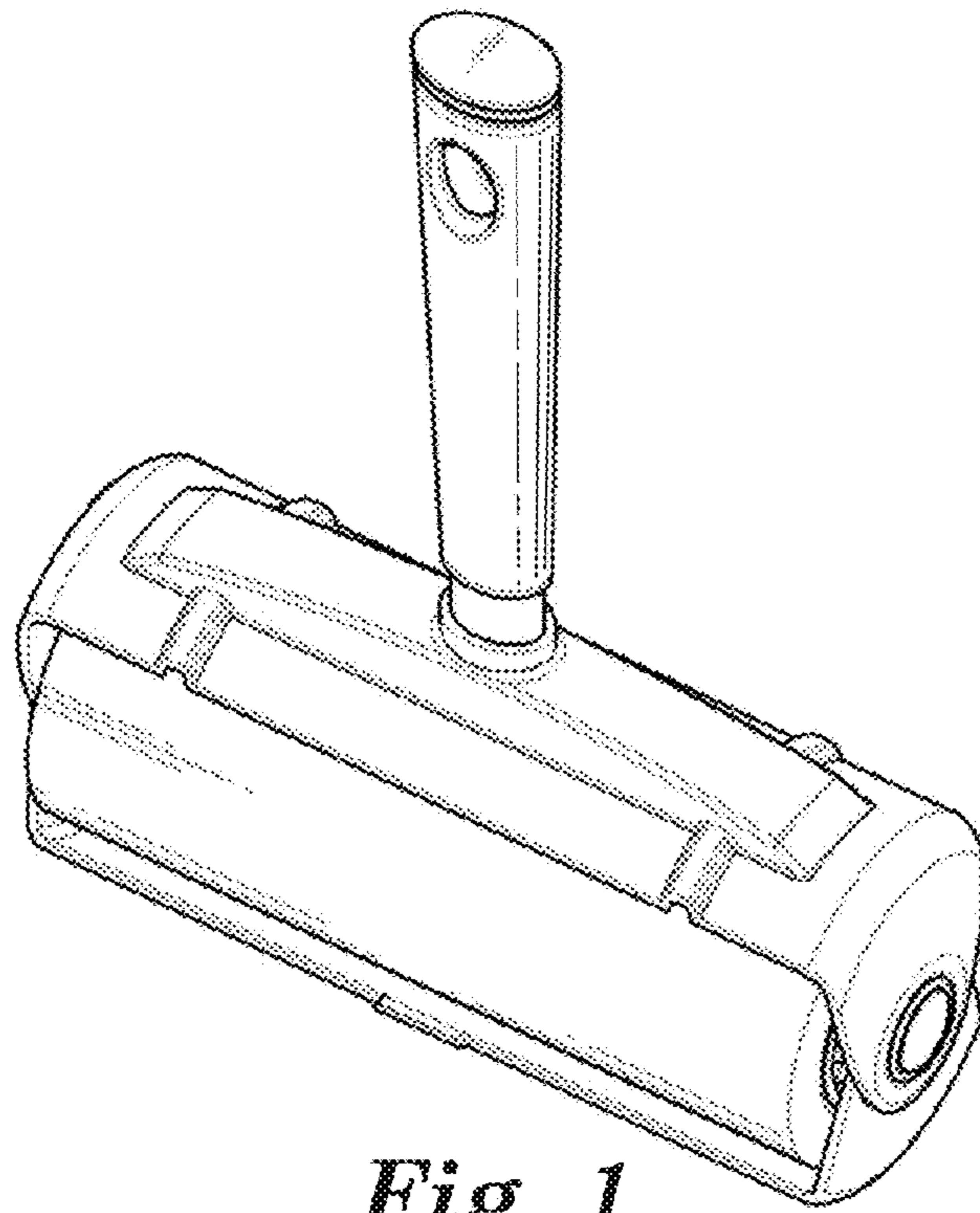


Fig. 1

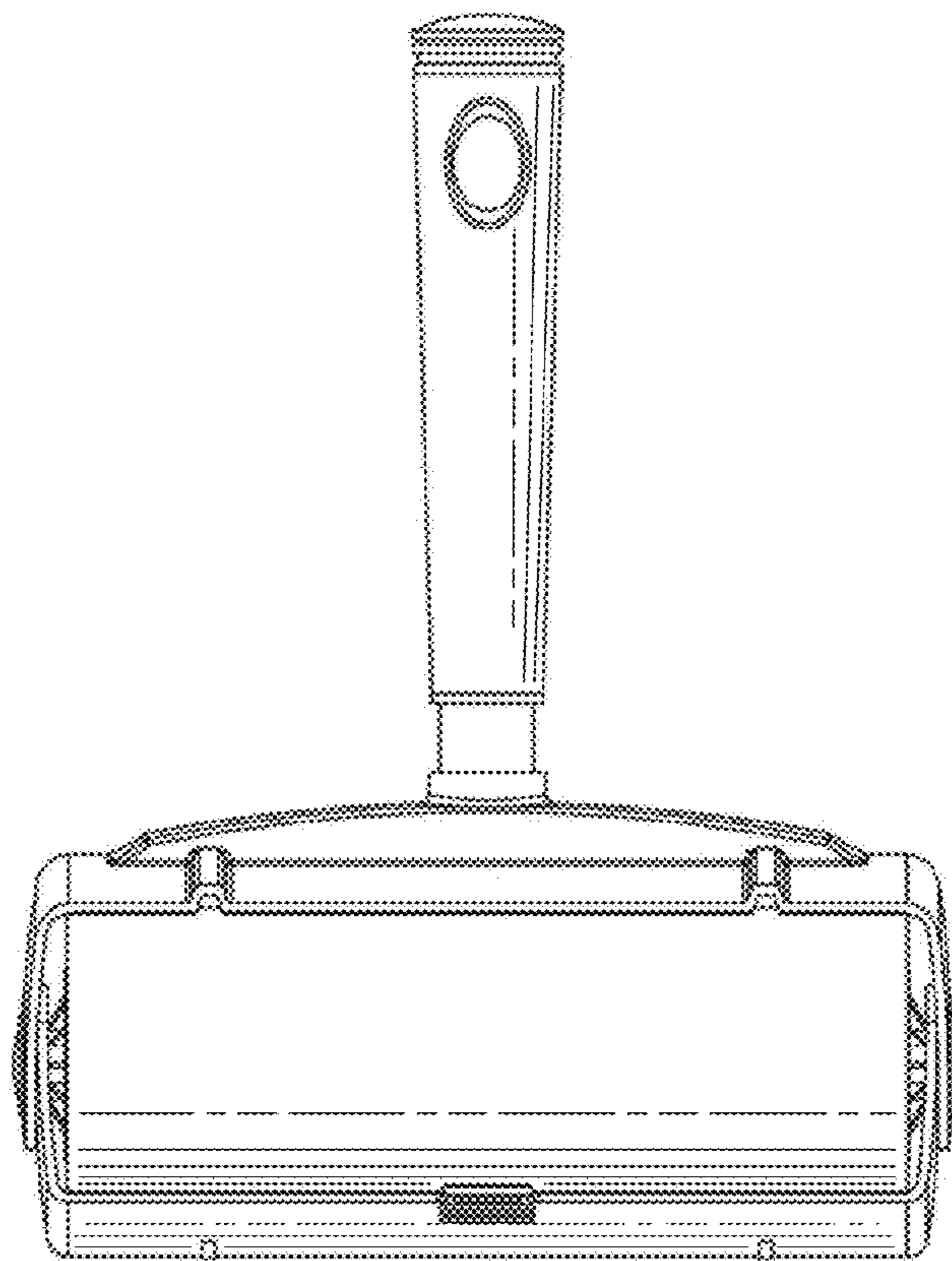


Fig. 2

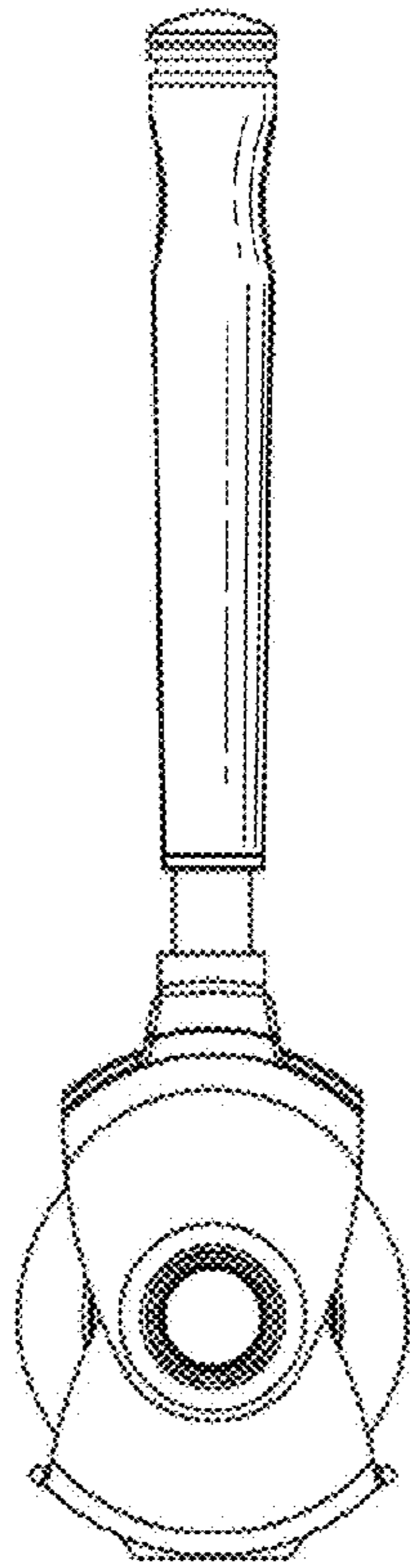


Fig. 3

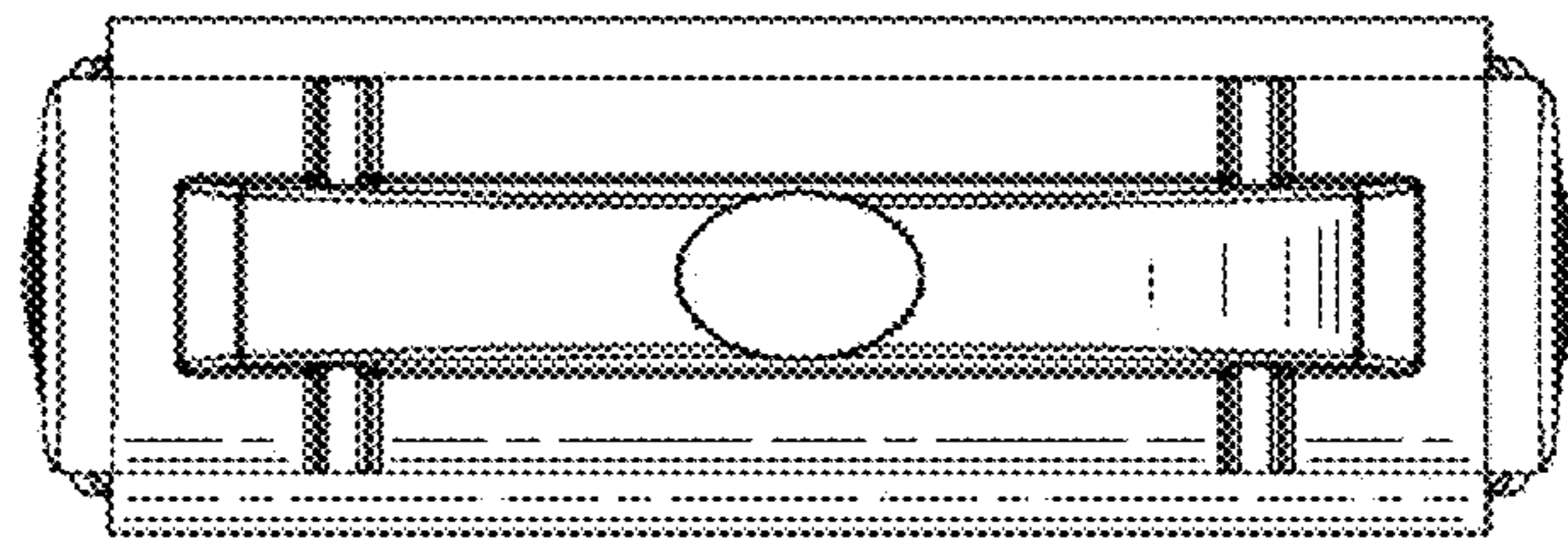


Fig. 4

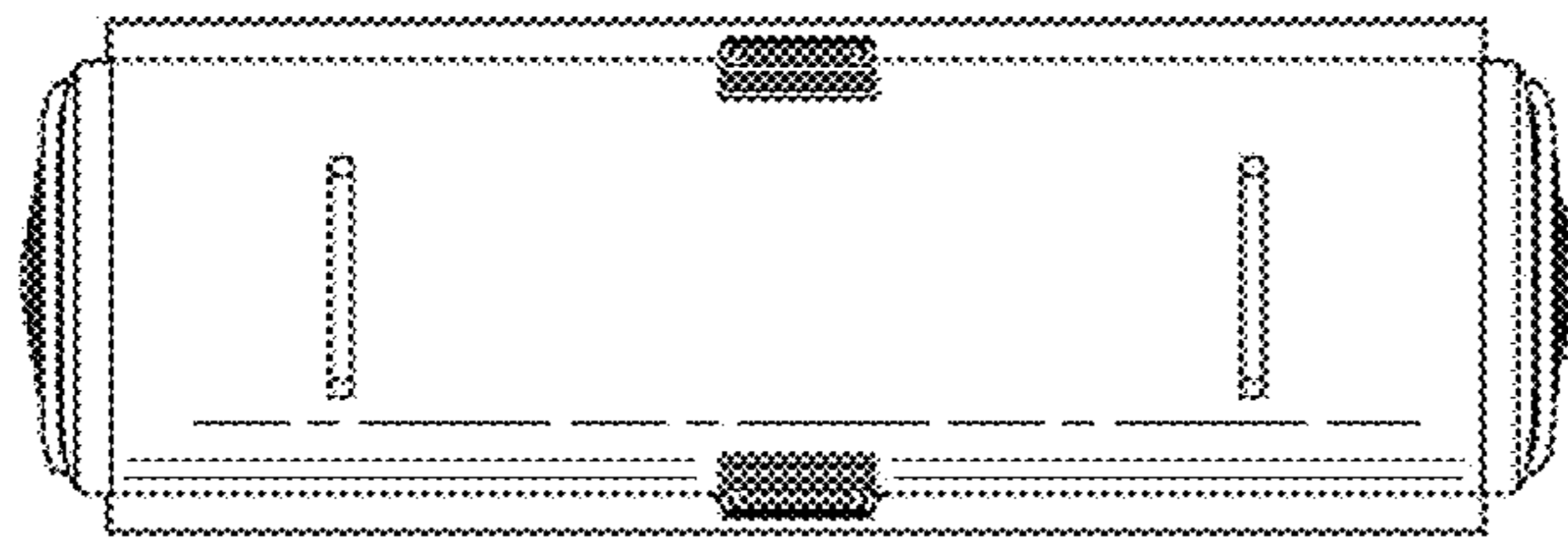


Fig. 5

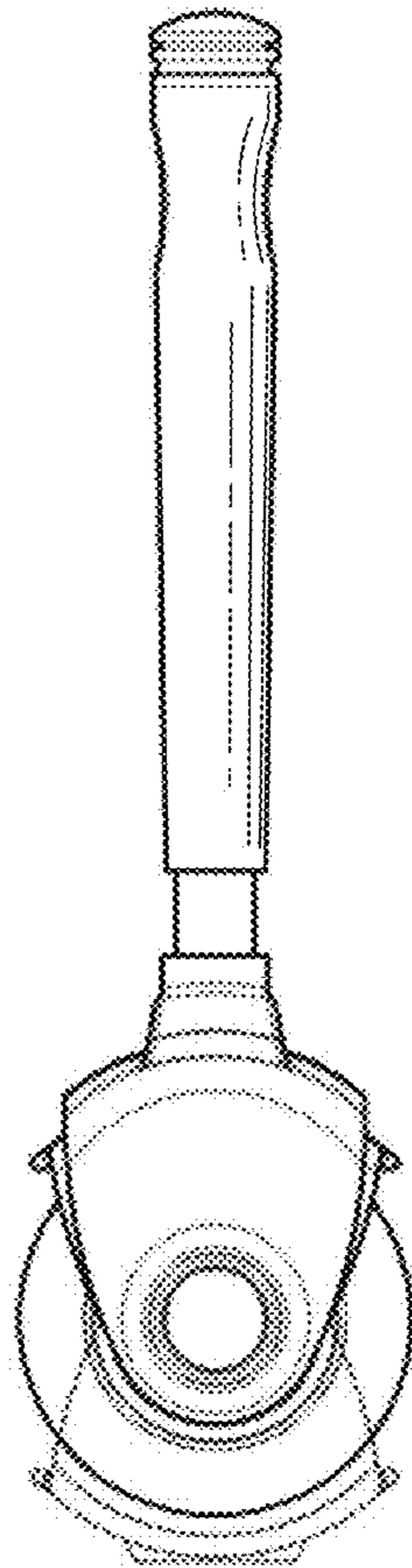


Fig. 6