



US00D690943S

(12) **United States Design Patent**
Pelo

(10) **Patent No.:** **US D690,943 S**

(45) **Date of Patent:** **** Oct. 8, 2013**

(54) **ROASTER COOLING TRAY BRUSH**

D661,491 S * 6/2012 Bunnag et al. D4/122
D671,748 S * 12/2012 Guyton et al. D4/122

(75) Inventor: **Jeffrey Matthew Pelo**, Mill Valley, CA
(US)

* cited by examiner

(73) Assignee: **Jeffrey Matthew Pelo**, Mill Valley, CA
(US)

Primary Examiner — Austin Murphy

(57) **CLAIM**

An ornamental design for a “roaster cooling tray brush,” as shown and described.

(**) Term: **14 Years**

DESCRIPTION

(21) Appl. No.: **29/389,429**

FIG. 1 is a top and left perspective view of the roaster cooling tray brush showing my new design;

(22) Filed: **Apr. 12, 2011**

FIG. 2 is a bottom and right perspective view thereof;

(51) **LOC (9) Cl.** **08-05**

FIG. 3 is a top view thereof;

(52) **U.S. Cl.**

FIG. 4 is a bottom view thereof;

USPC **D4/122**

FIG. 5 is a left side view thereof;

(58) **Field of Classification Search**

FIG. 6 is a right side view thereof;

USPC D4/100, 102, 118, 119, 122, 129,
D4/138; D8/107; D32/52; 15/23–27, 106,
15/111, 143.1, 179, 183; 16/430

FIG. 7 is a front view thereof;

See application file for complete search history.

FIG. 8 is a rear view thereof;

FIG. 9 is a top and left perspective view of a second embodiment of the roaster cooling tray brush showing my new design;

(56) **References Cited**

FIG. 10 is a bottom and right perspective view thereof;

U.S. PATENT DOCUMENTS

FIG. 11 is a top view thereof;

D546,066 S * 7/2007 Rothman et al. D4/122

FIG. 12 is a bottom view thereof;

D562,559 S * 2/2008 Murray D4/102

FIG. 13 is a left side view thereof;

D567,510 S * 4/2008 Tuli D4/122

FIG. 14 is a right side view thereof;

D584,059 S * 1/2009 Arvinte et al. D4/122

FIG. 15 is a front view thereof; and,

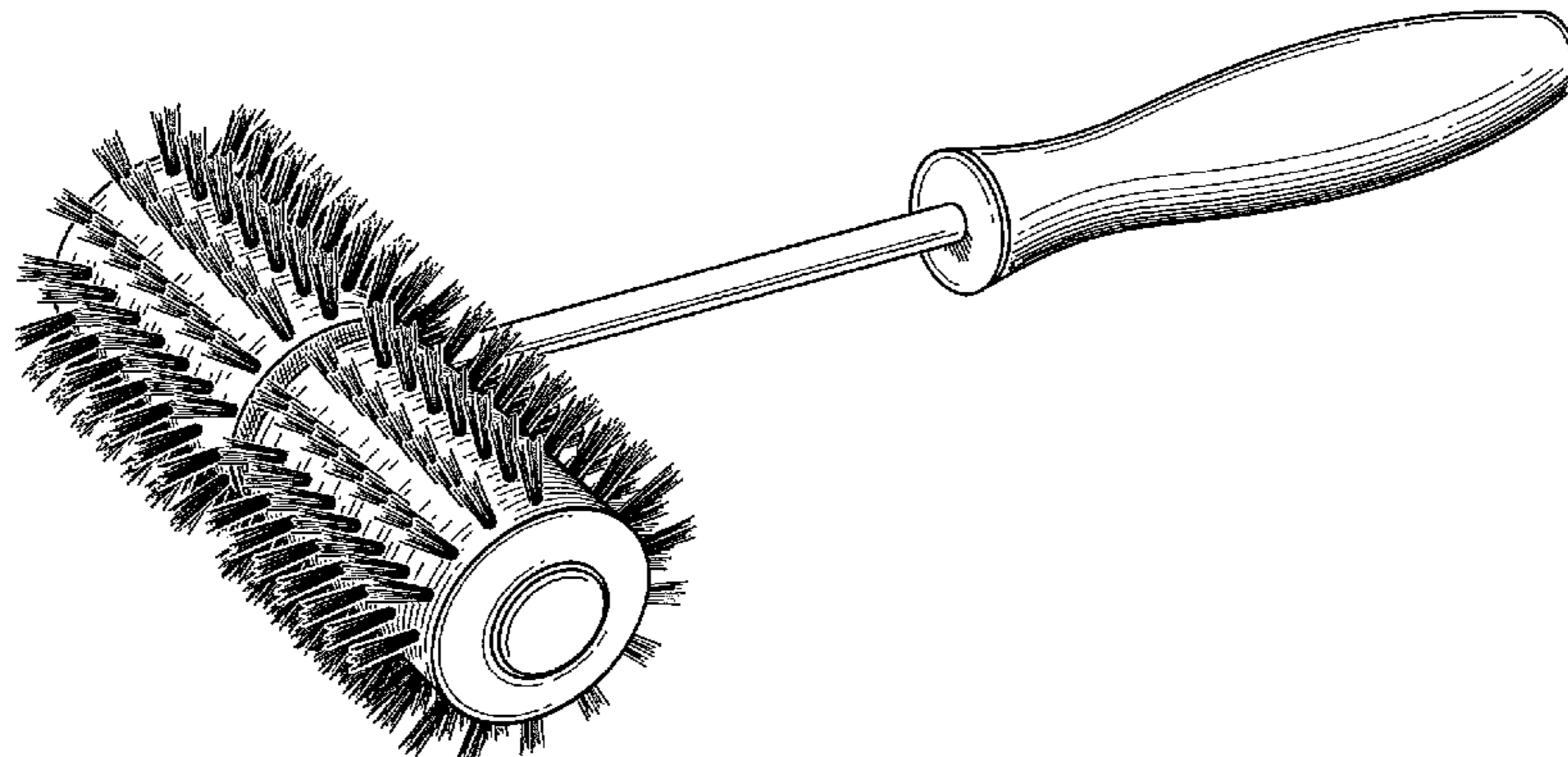
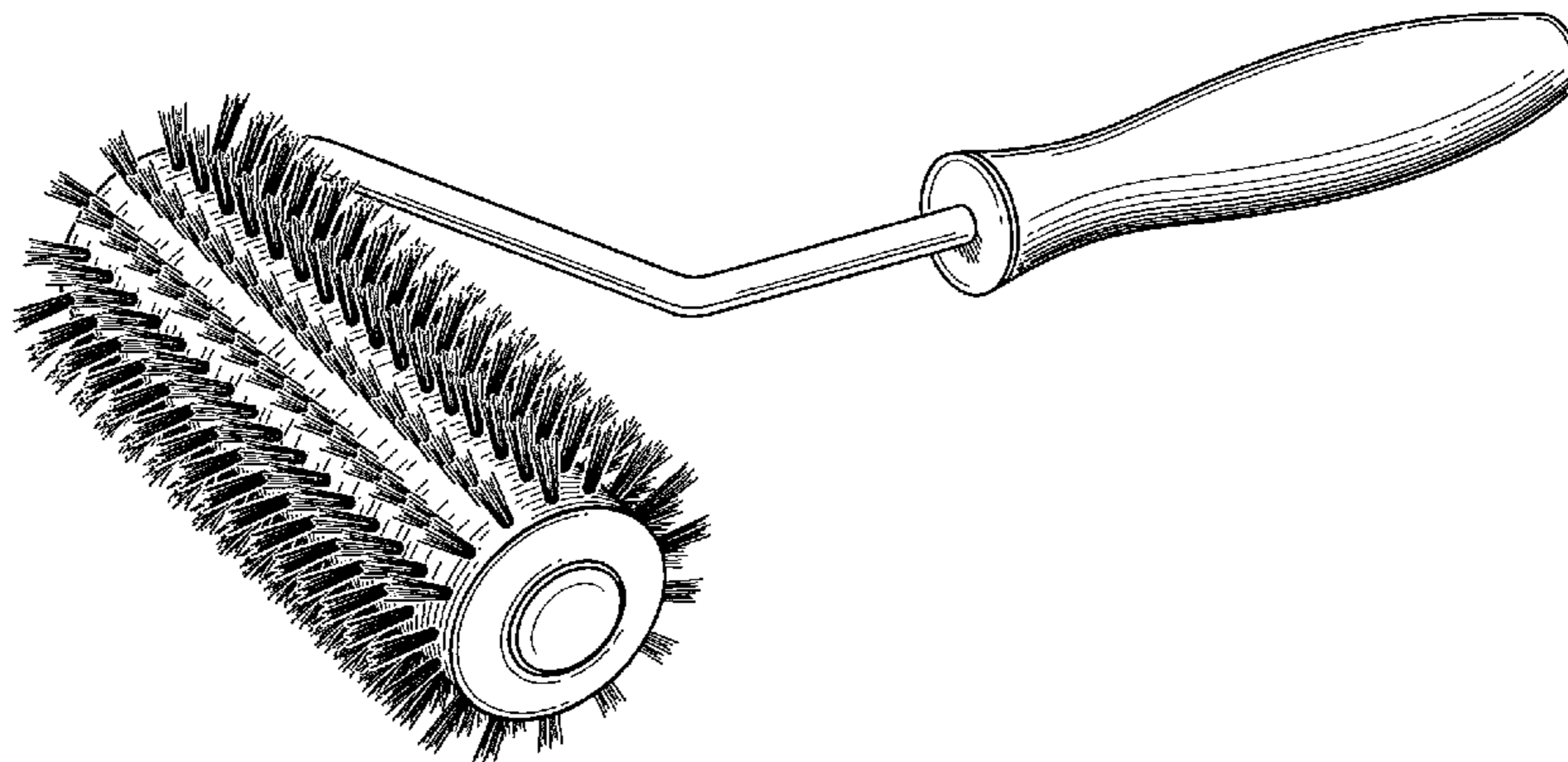
D627,565 S * 11/2010 Tyce et al. D4/102

FIG. 16 is a rear view thereof.

D638,222 S * 5/2011 Molinet et al. D4/122

D641,555 S * 7/2011 Schochet D4/102

1 Claim, 6 Drawing Sheets



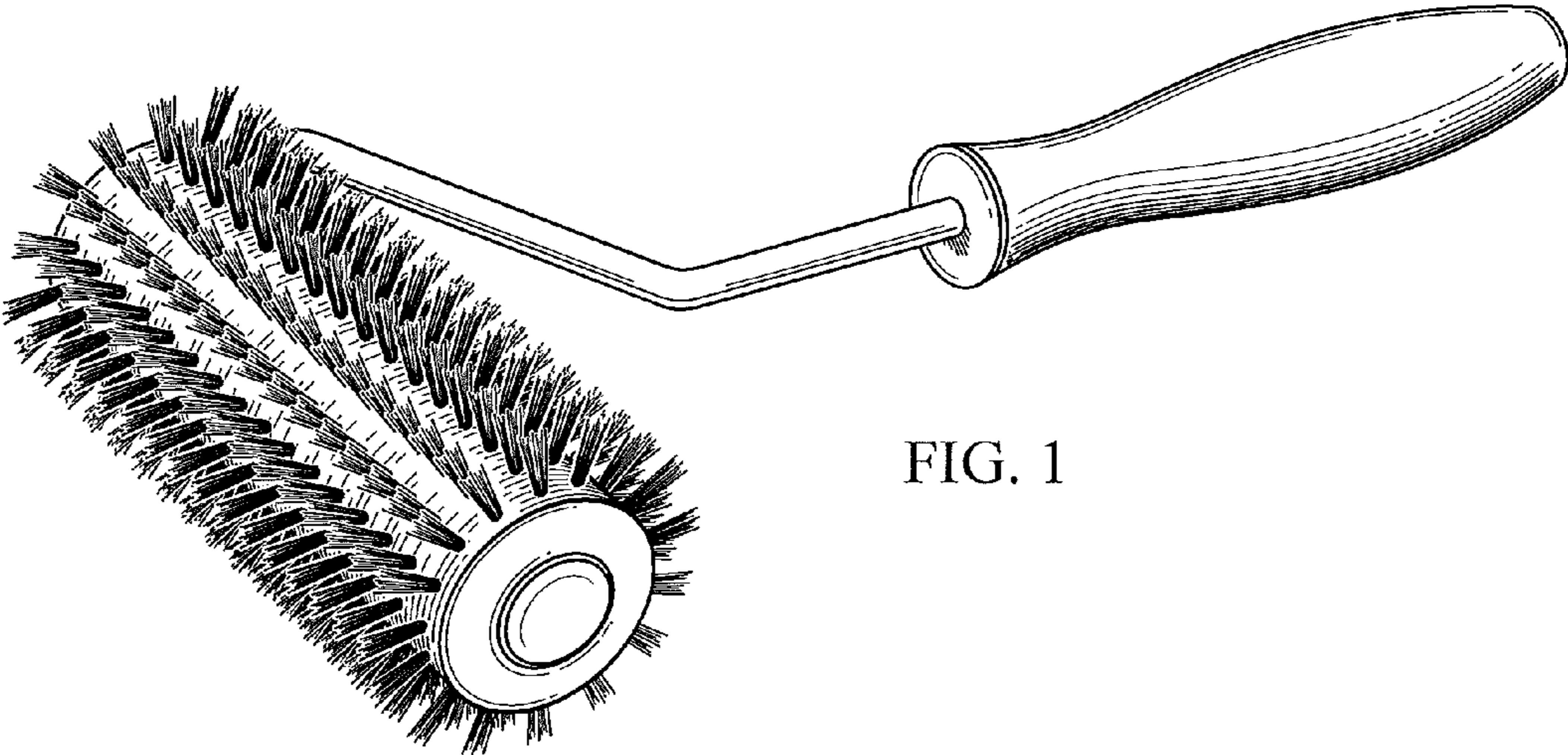


FIG. 1

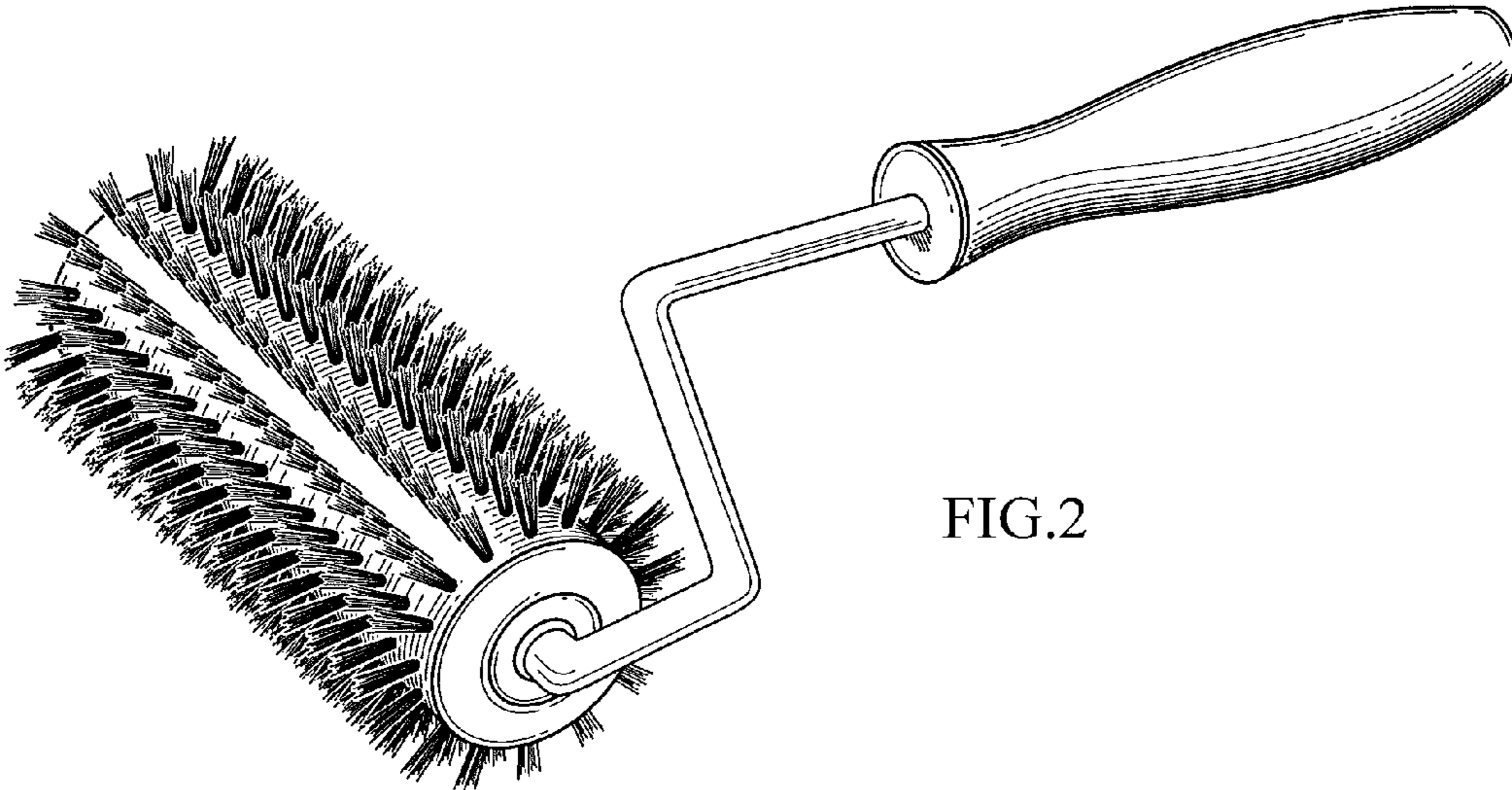


FIG. 2

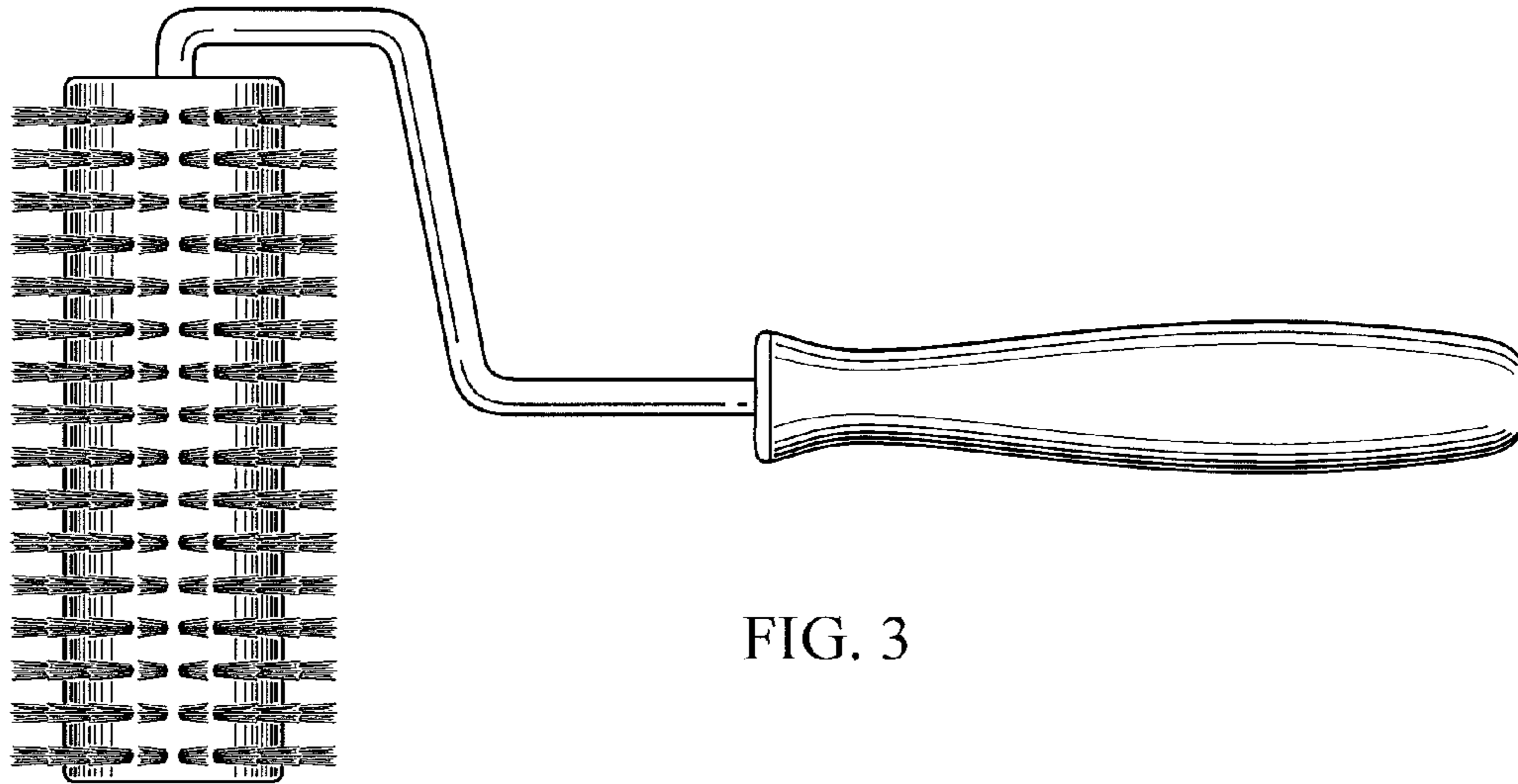


FIG. 3

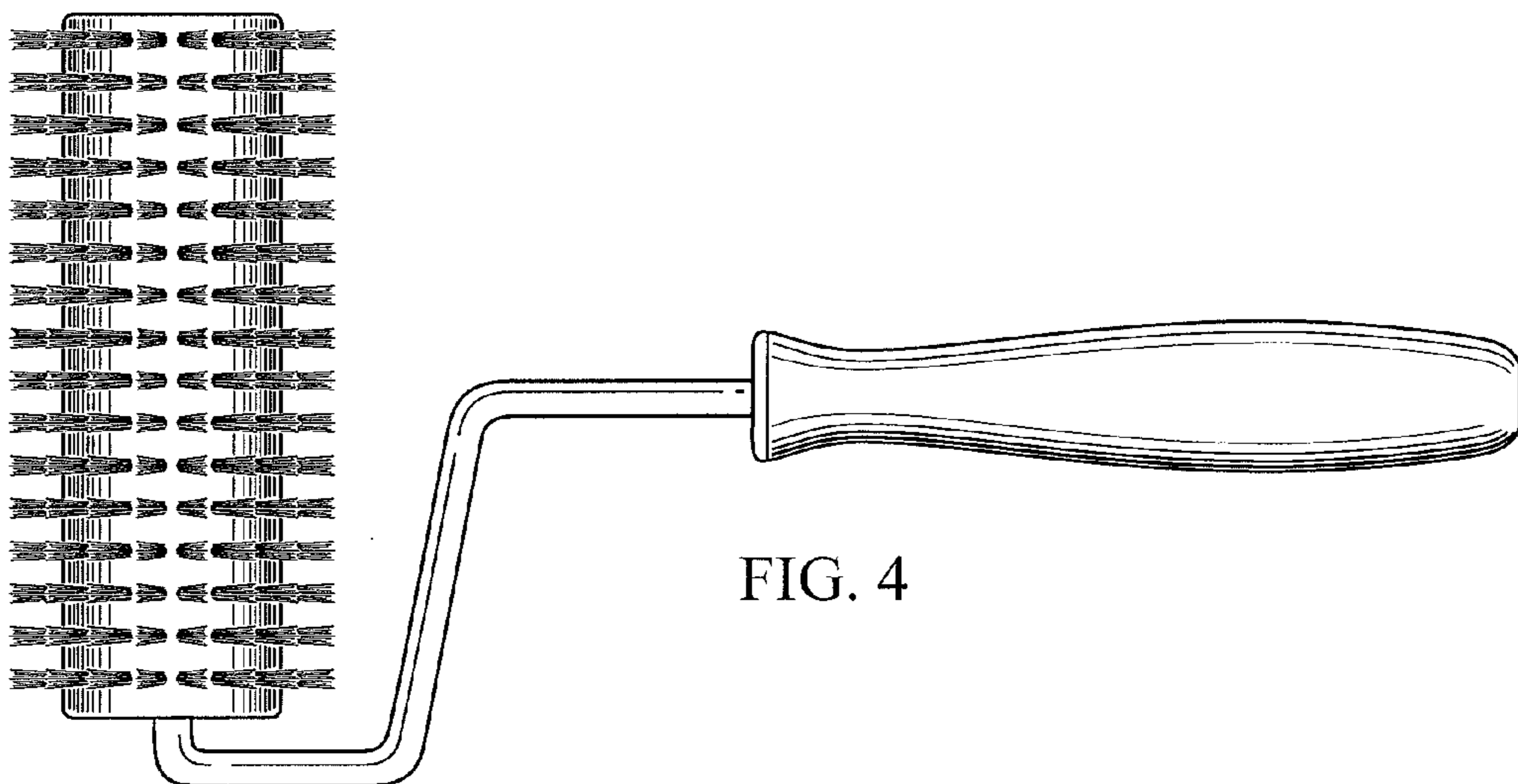


FIG. 4

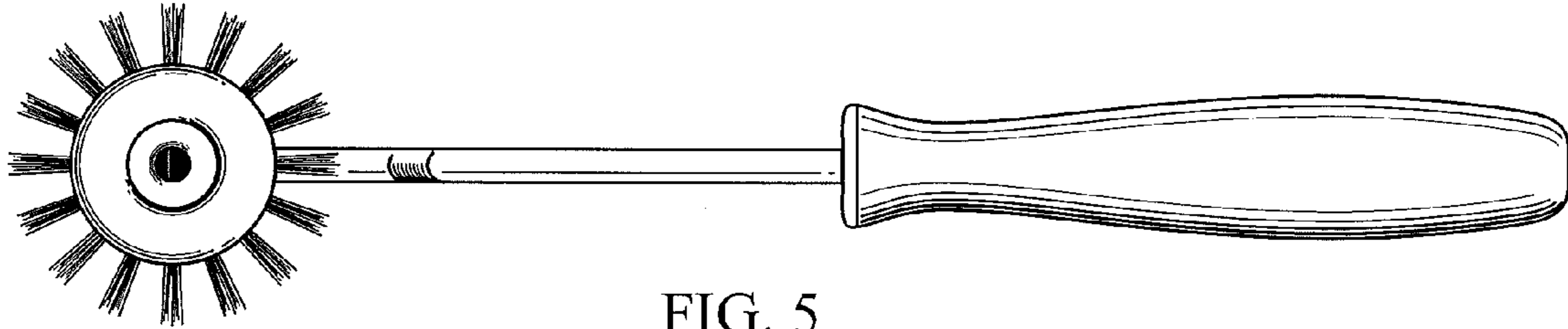


FIG. 5

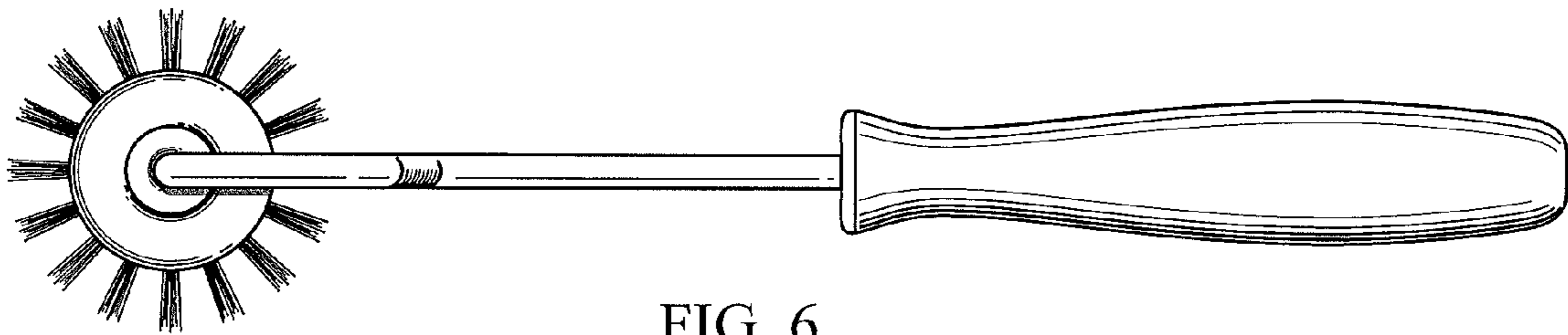


FIG. 6

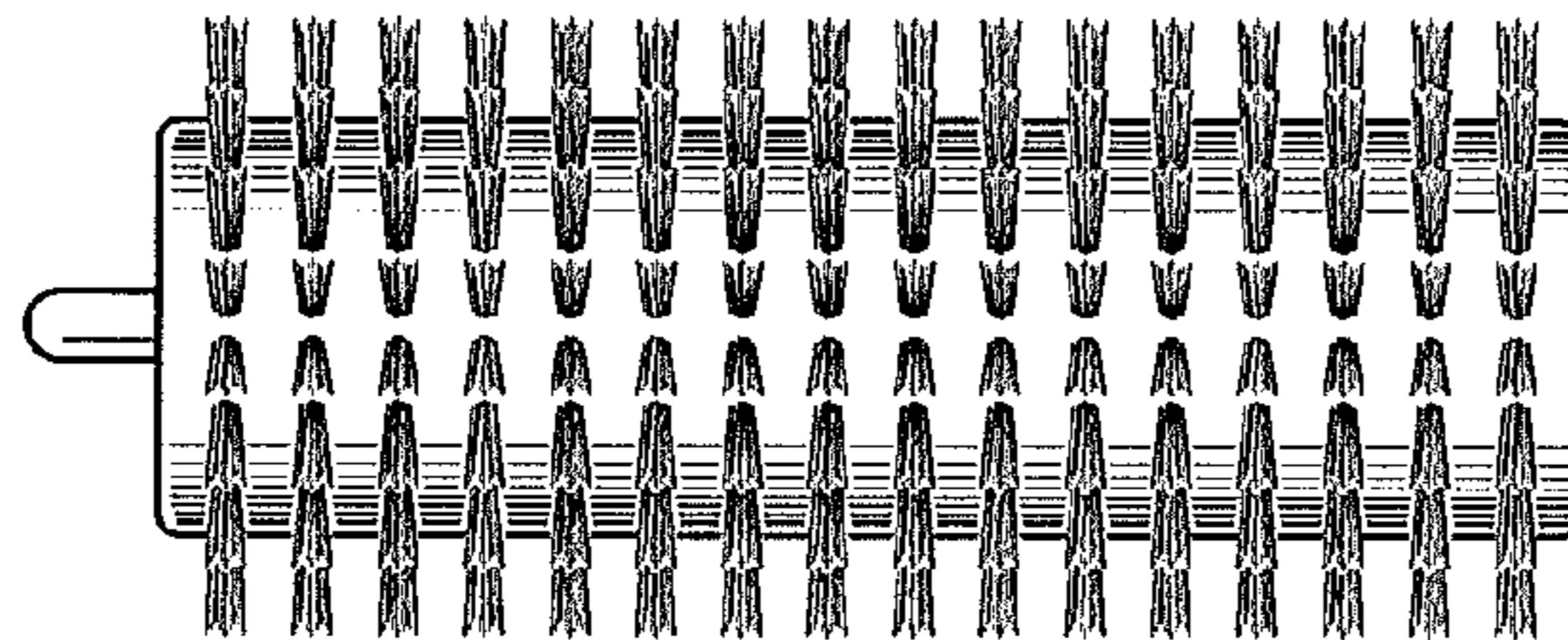


FIG. 7

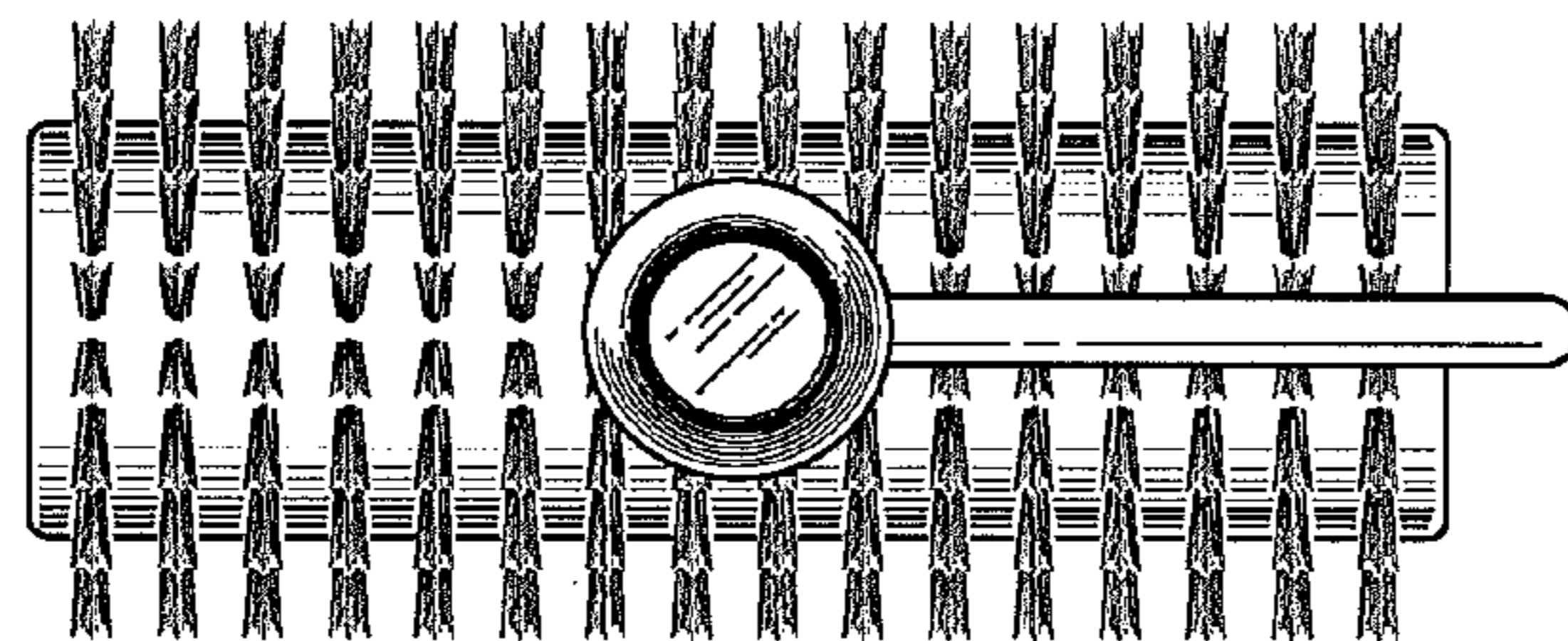


FIG. 8

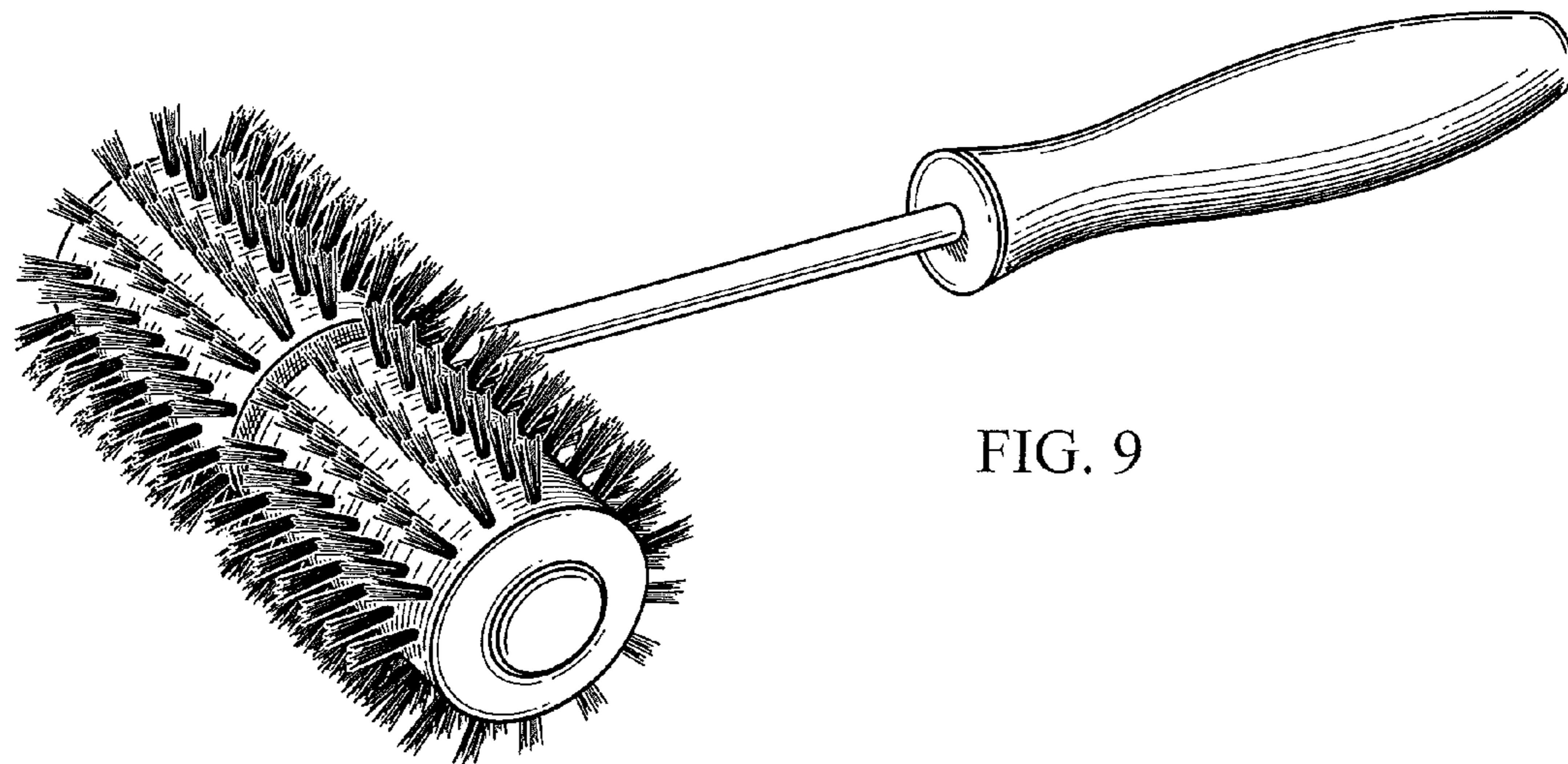


FIG. 9

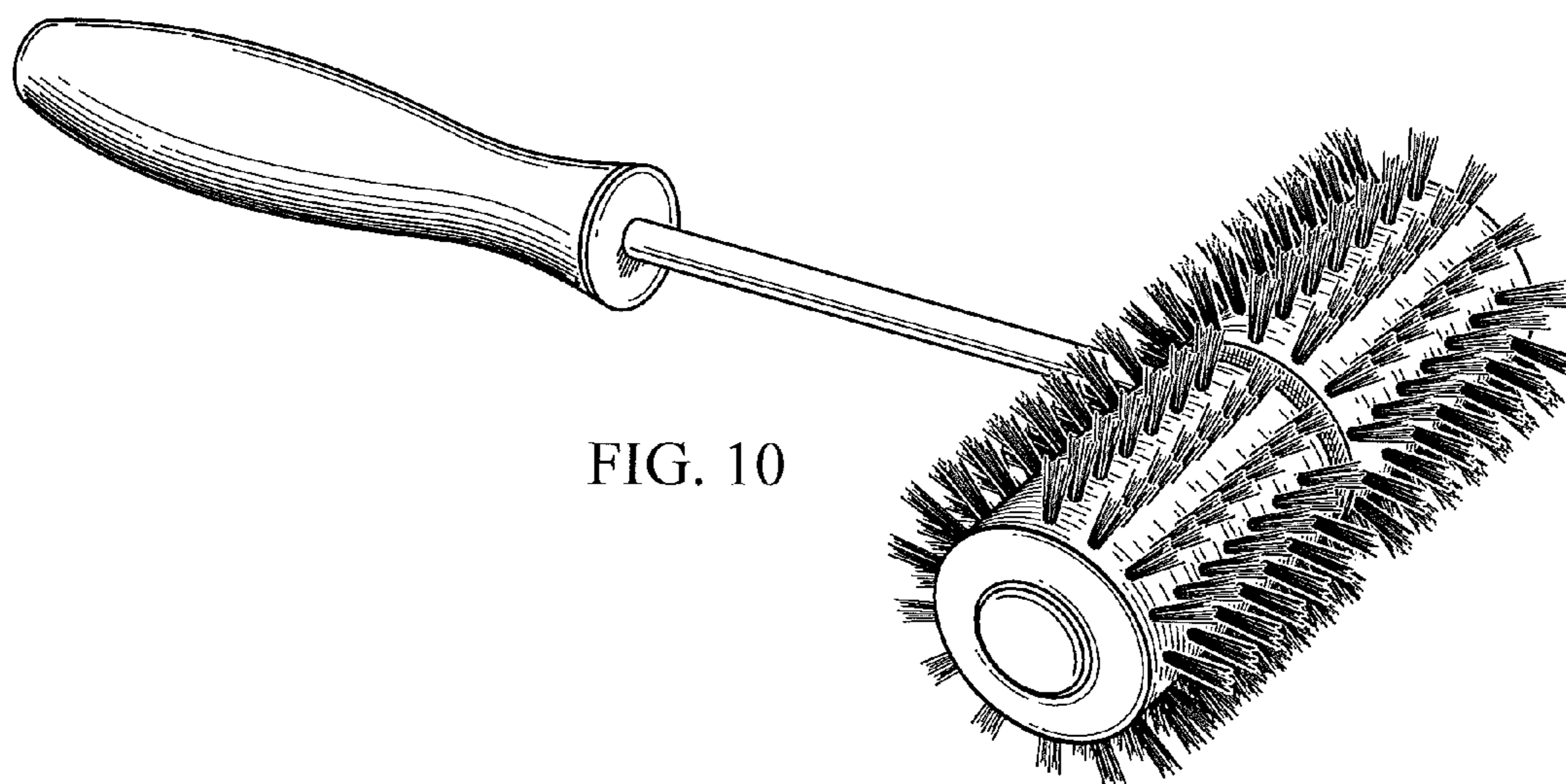


FIG. 10

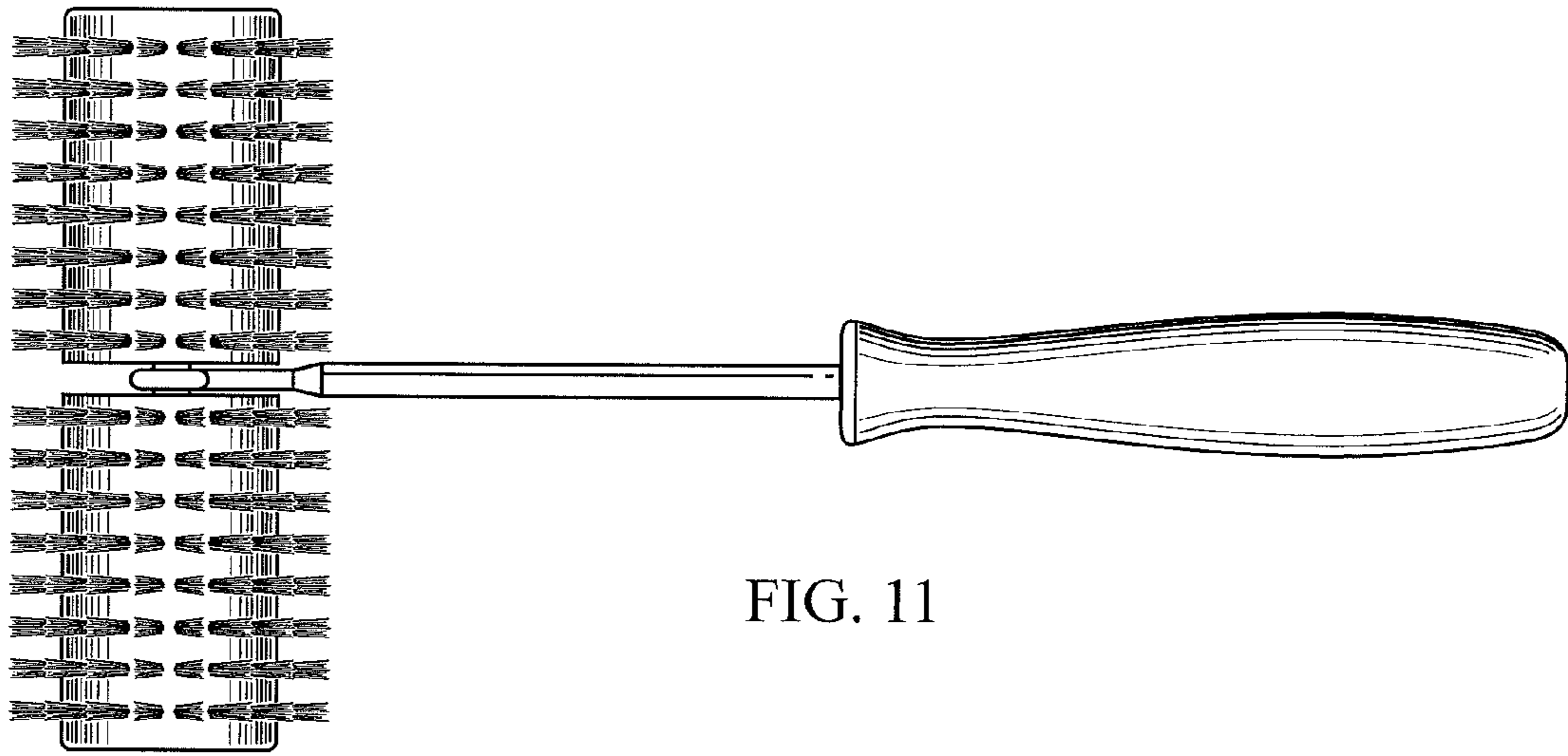


FIG. 11

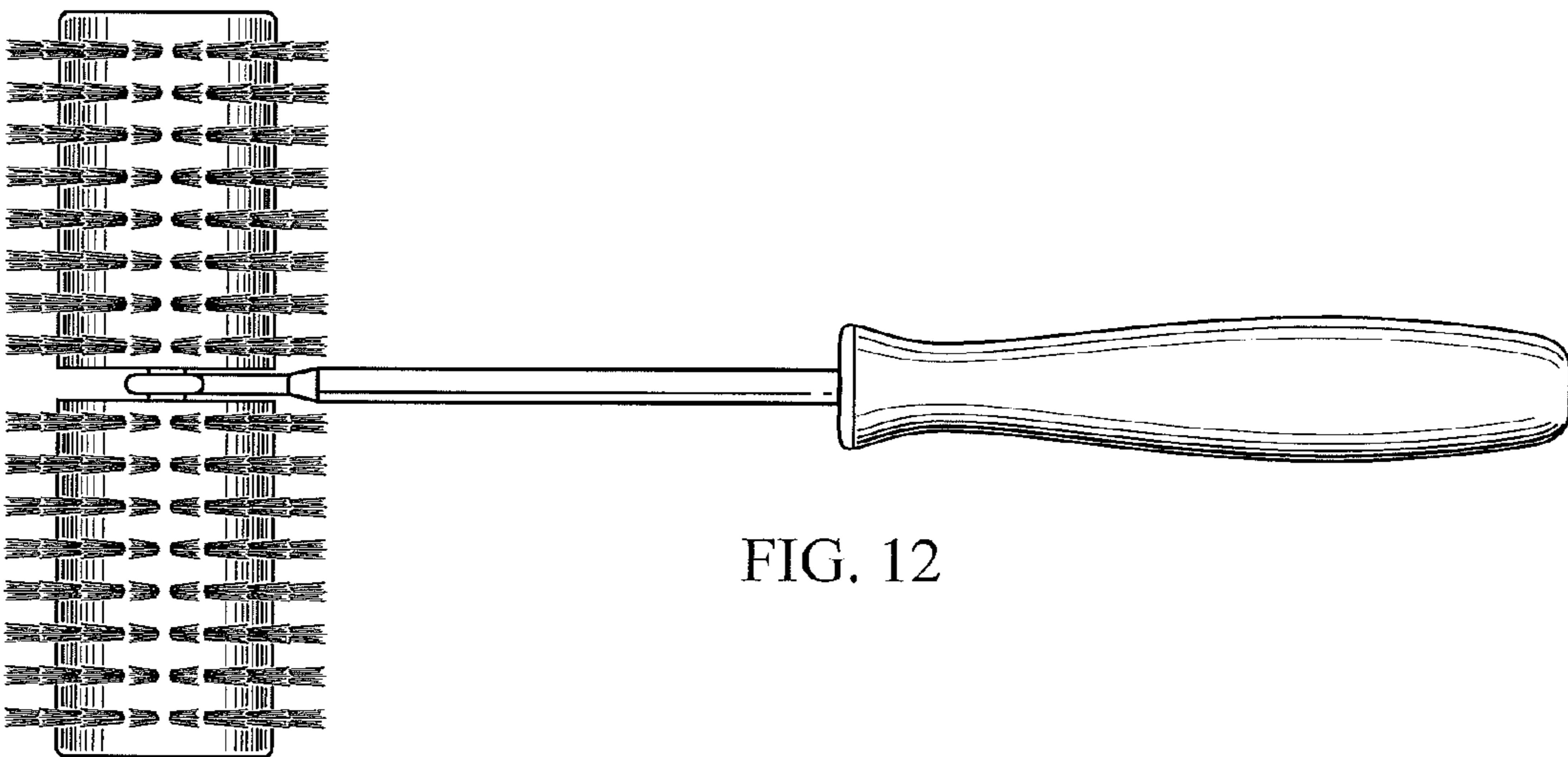


FIG. 12

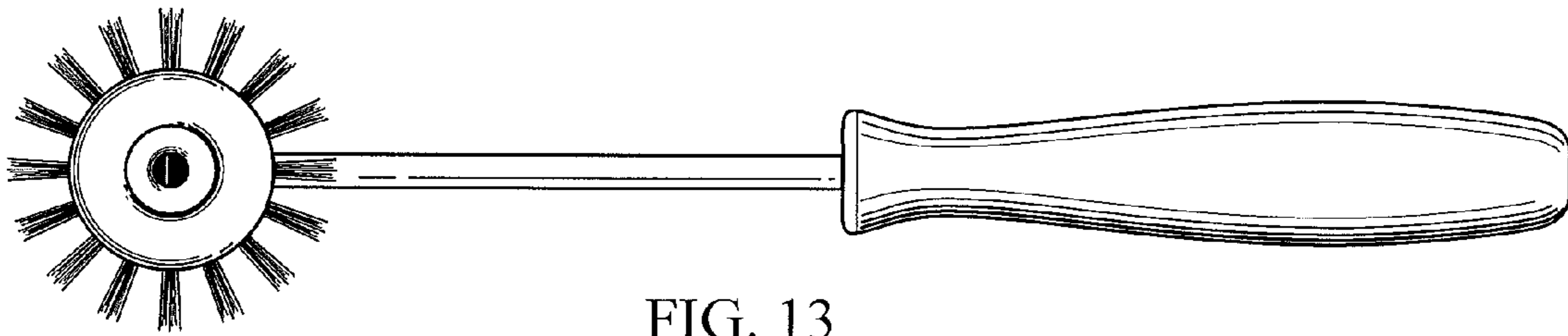


FIG. 13

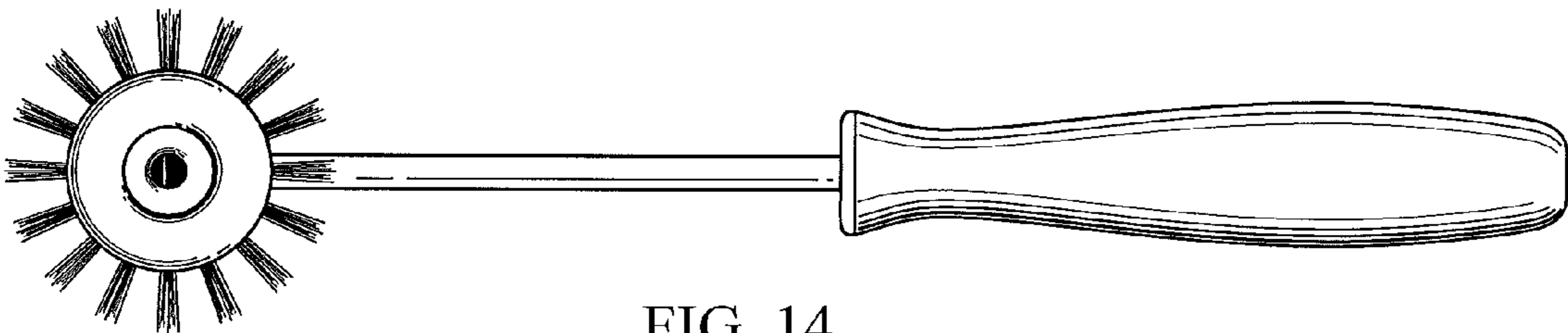


FIG. 14

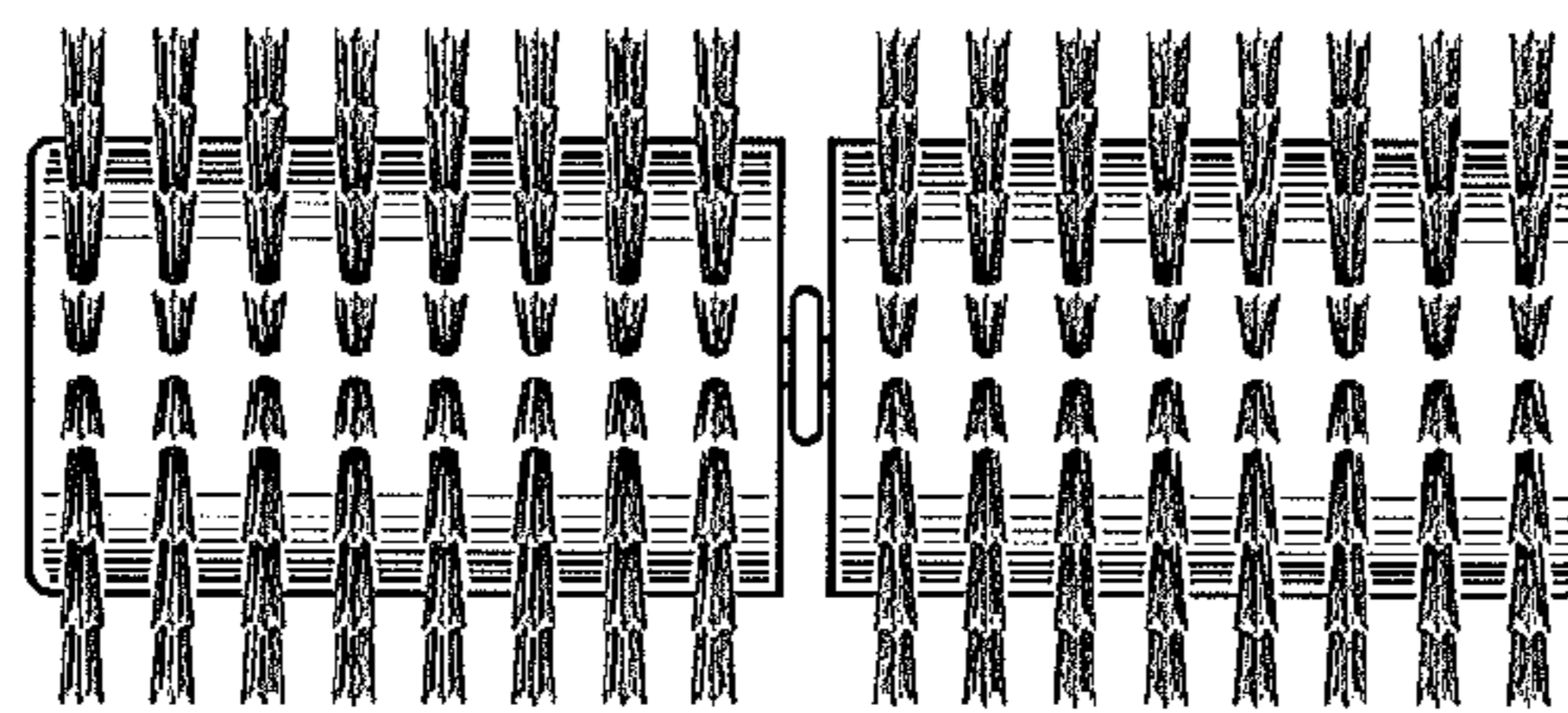


FIG. 15

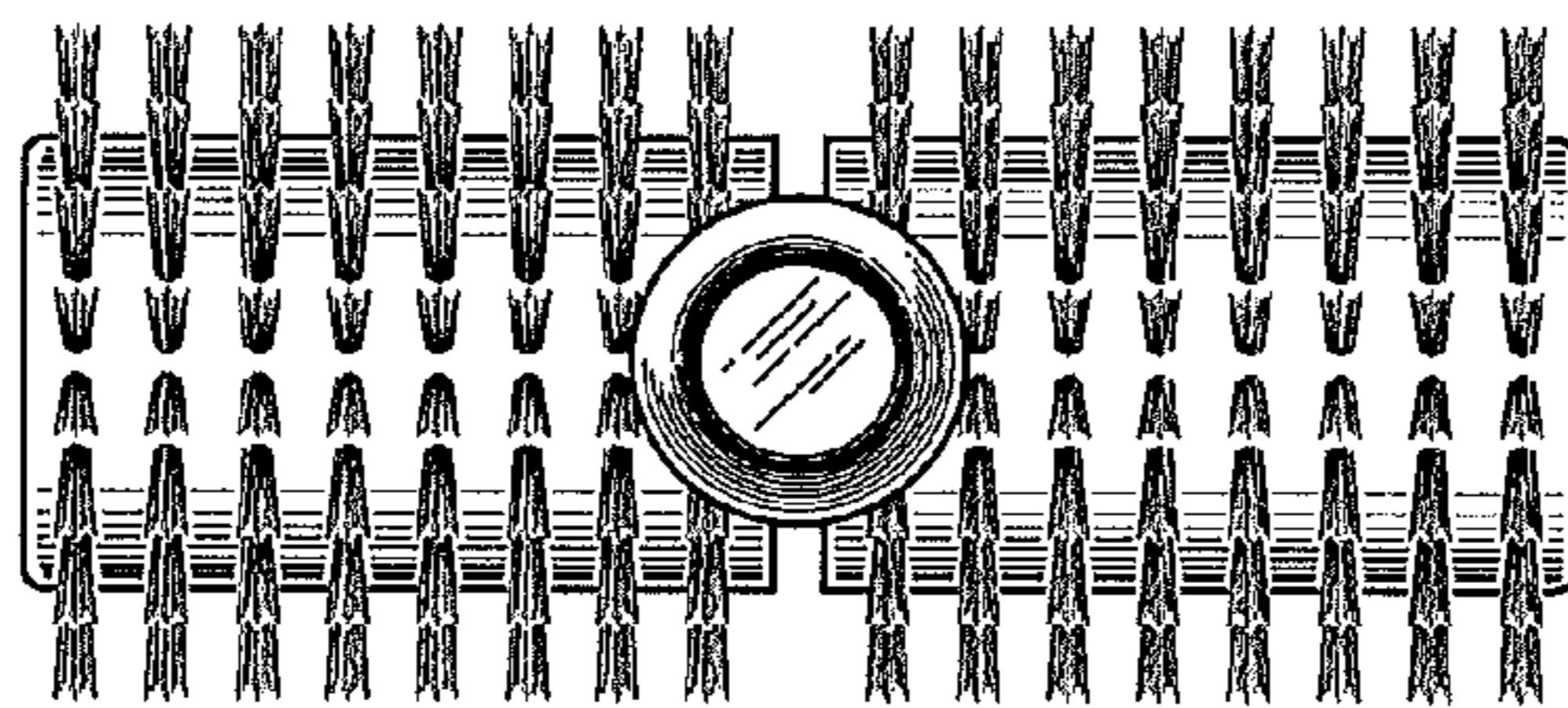


FIG. 16