



US00D690939S

(12) **United States Design Patent**  
**Lintz et al.**

(10) **Patent No.:** **US D690,939 S**

(45) **Date of Patent:** **\*\* Oct. 8, 2013**

(54) **CADDY**

(75) Inventors: **Thomas R. Lintz**, Ravenna, OH (US);  
**Ellen Y. Lintz**, Ravenna, OH (US); **D. Frank Smith**, Fairlawn, OH (US)

(73) Assignees: **Thomas R. Lintz**, Ravenna, OH (US);  
**Ellen Y. Lintz**, Ravenna, OH (US)

(\*\*) Term: **14 Years**

(21) Appl. No.: **29/406,241**

(22) Filed: **Nov. 10, 2011**

(51) **LOC (9) Cl.** ..... **03-01**

(52) **U.S. Cl.**  
USPC ..... **D3/313**

(58) **Field of Classification Search**  
USPC ..... D3/308, 315; 206/372-373; 224/500,  
224/752, 904

See application file for complete search history.

(56) **References Cited**

U.S. PATENT DOCUMENTS

D280,669 S *	9/1985	Hammeke	.....	D3/308
D369,242 S *	4/1996	Tiramani	.....	D3/308
D541,531 S *	5/2007	Leao	.....	D3/308
D542,034 S *	5/2007	Romano	.....	D3/315
D649,786 S *	12/2011	Lipfert et al.	.....	D3/308

\* cited by examiner

*Primary Examiner* — Holly Baynham

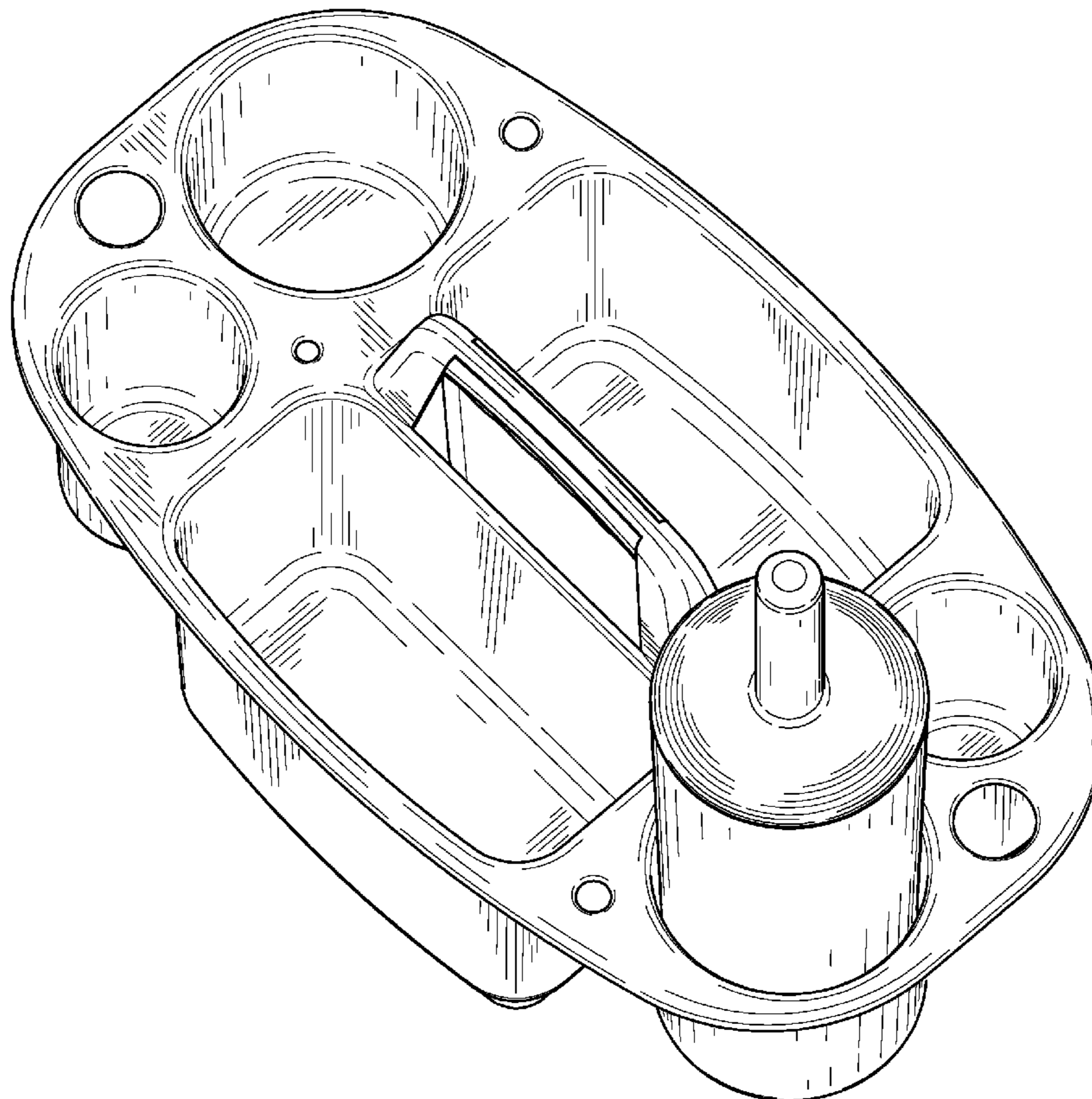
(57) **CLAIM**

The ornamental design for a caddy, as shown and described.

**DESCRIPTION**

FIG. 1 is a perspective view of a caddy showing the design; FIG. 2 is a top perspective view showing the caddy of FIG. 1; FIG. 3 is a bottom perspective view of the caddy of FIG. 2; FIG. 4 is a side view of the caddy of FIG. 2; FIG. 5 is an end view of the caddy of FIG. 2; FIG. 6 is a top view of the caddy of FIG. 2; FIG. 7 is a bottom view of the caddy of FIG. 2; FIG. 8 is a top perspective view of a caddy showing the design having a canister and handle accessory supported therein; FIG. 9 is a bottom perspective view of the caddy of FIG. 8; FIG. 10 is a side view of the caddy of FIG. 8; FIG. 11 is an opposite side view of the caddy of FIG. 10; FIG. 12 is an end view of the caddy design of FIG. 8; FIG. 13 is an opposite end view of the caddy of FIG. 12; FIG. 14 is a top view of the caddy of FIG. 8; FIG. 15 is a bottom view of the caddy of FIG. 14; and, FIG. 16 is a bottom perspective view showing the caddy having the canister and handle accessory in an exploded view. The broken lines in the figures are for illustrating environmental aspects only and form no part of the claimed design.

**1 Claim, 14 Drawing Sheets**



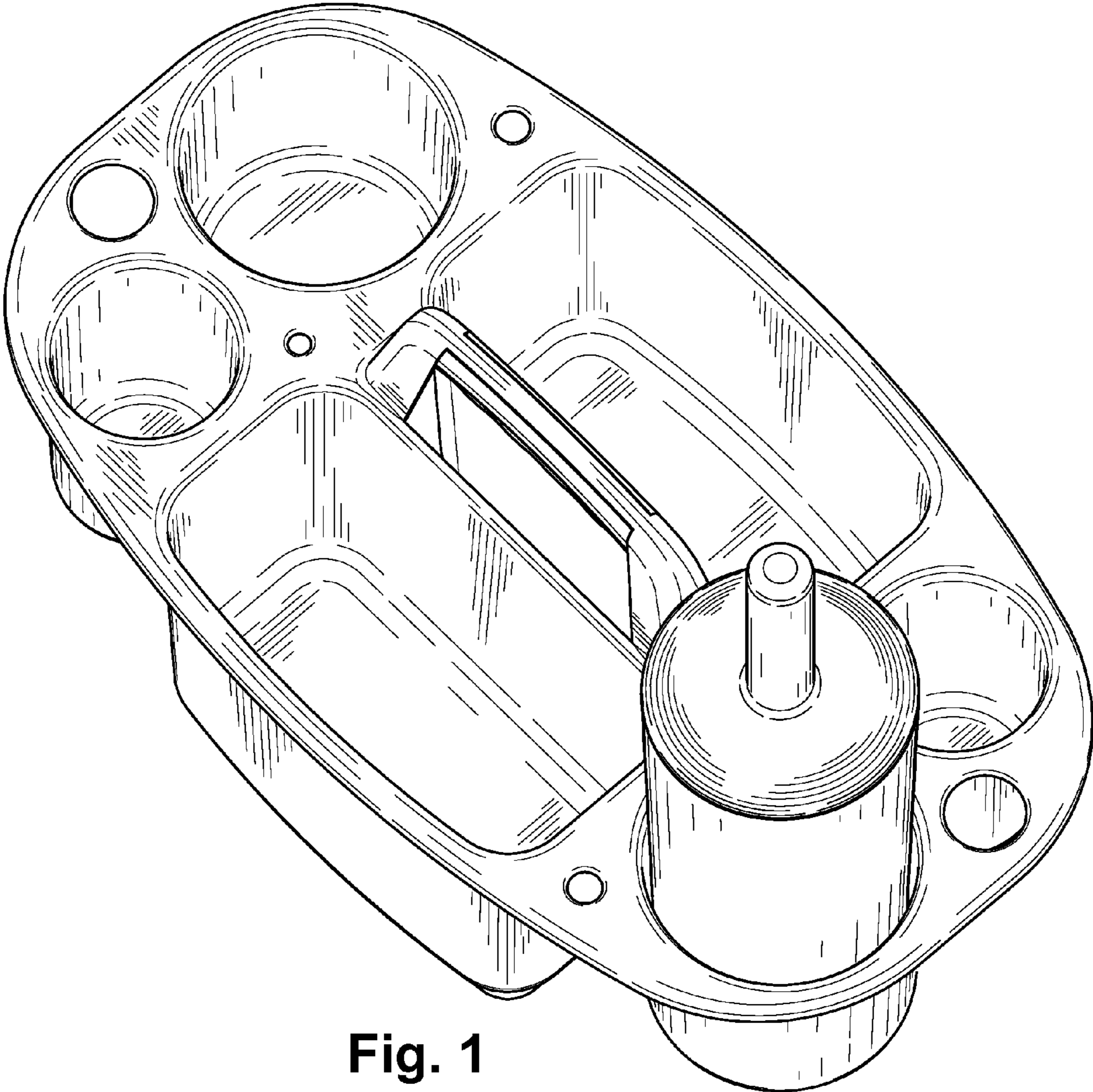


Fig. 1

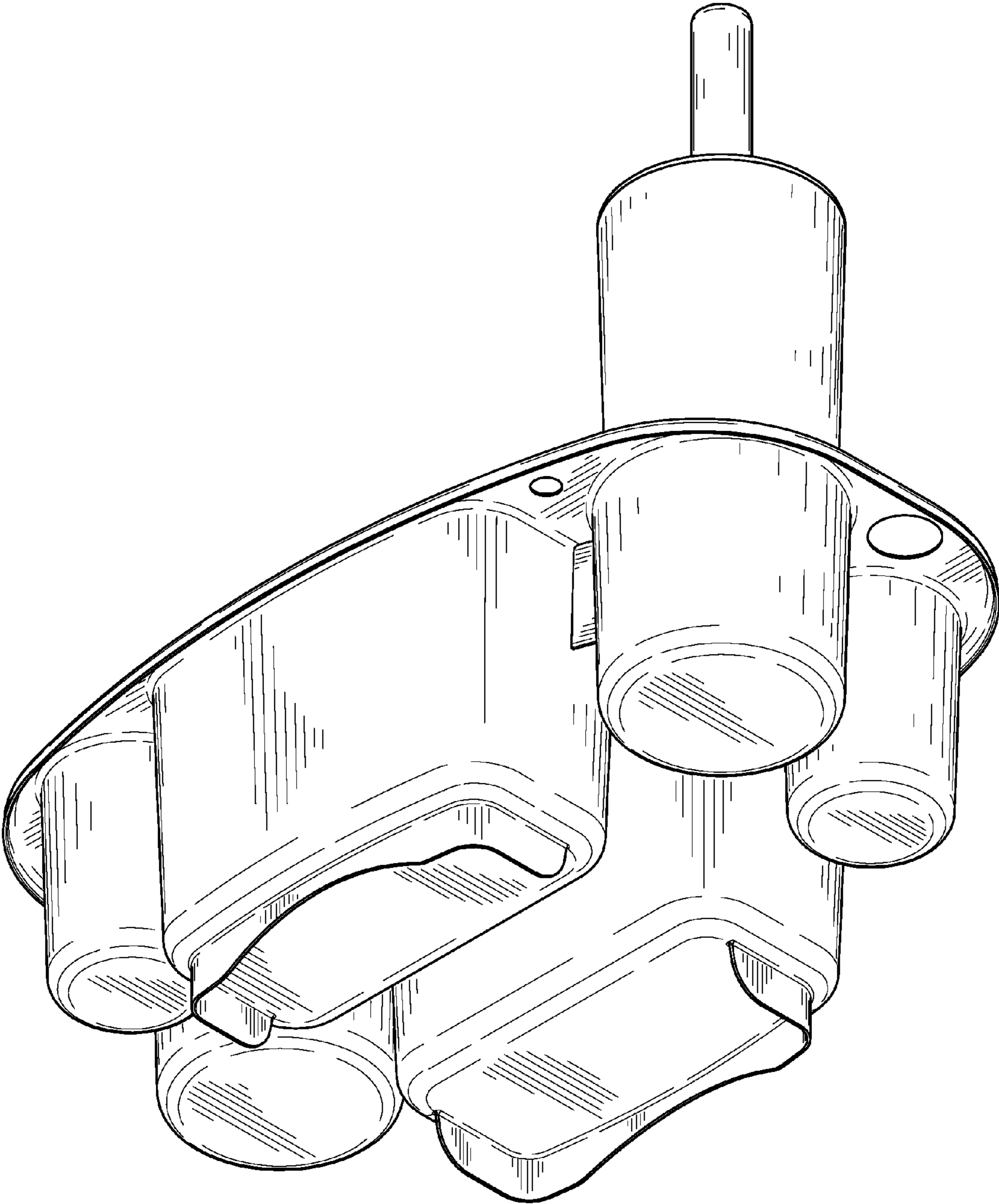


Fig. 2

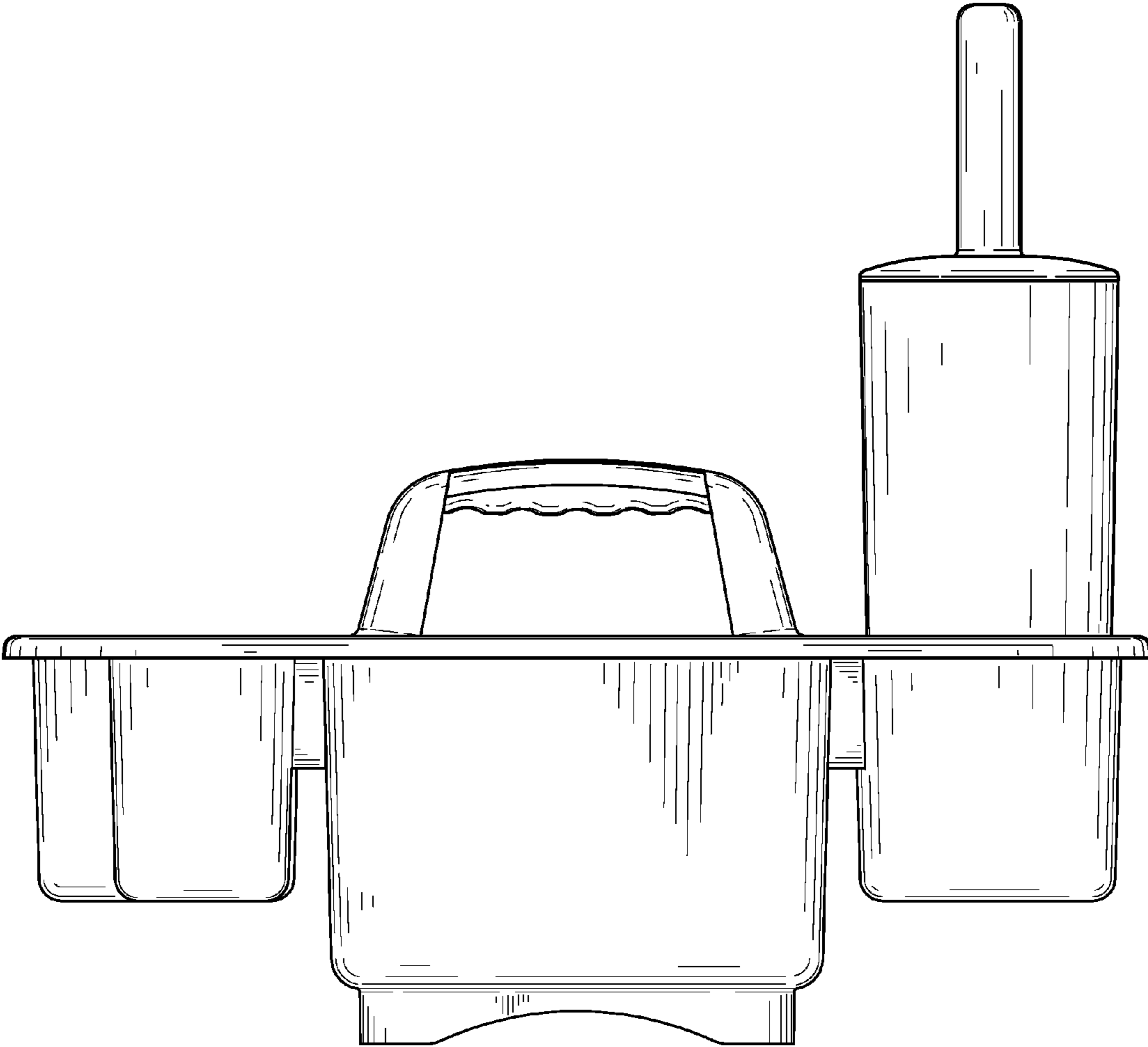


Fig. 3

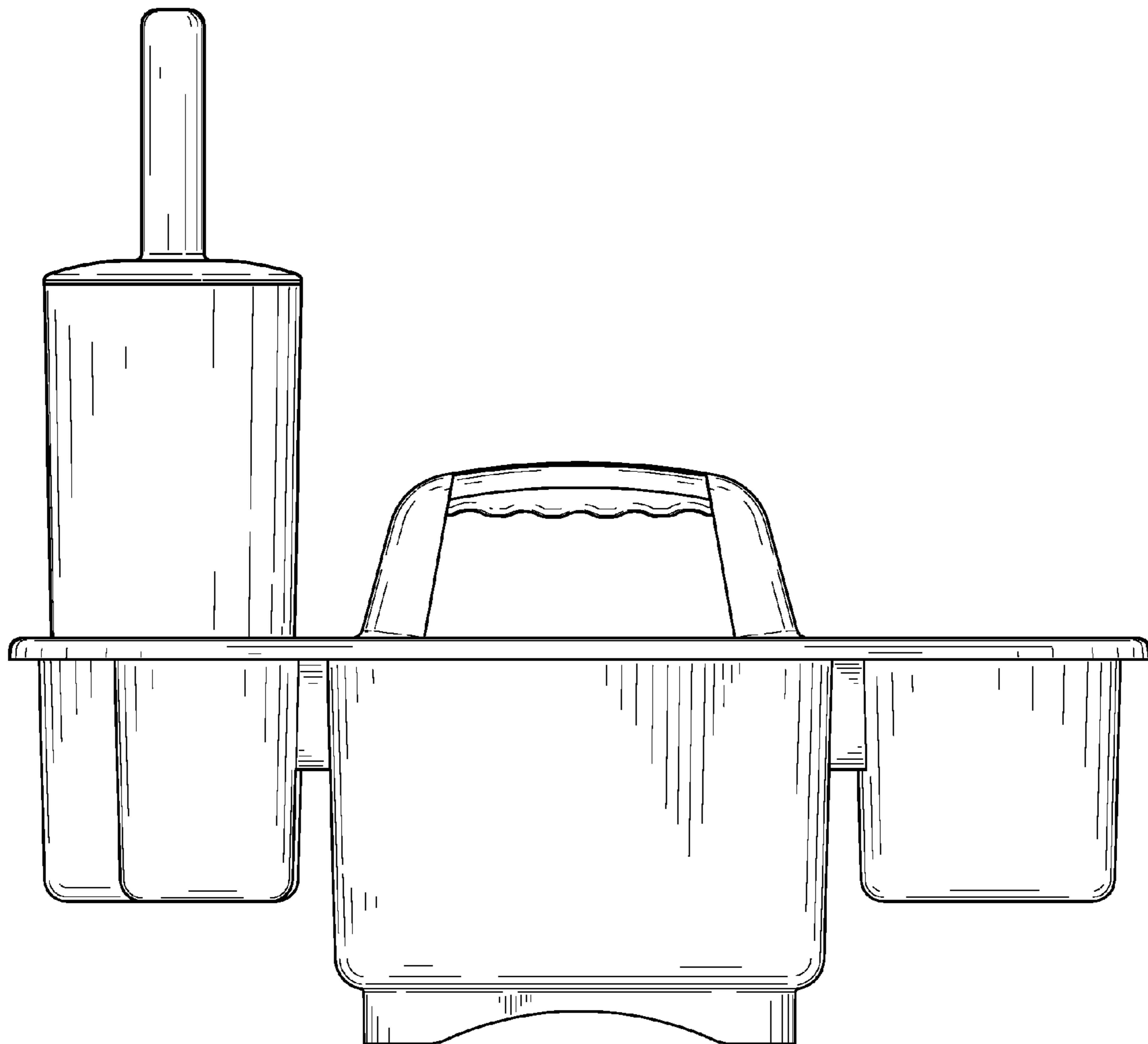
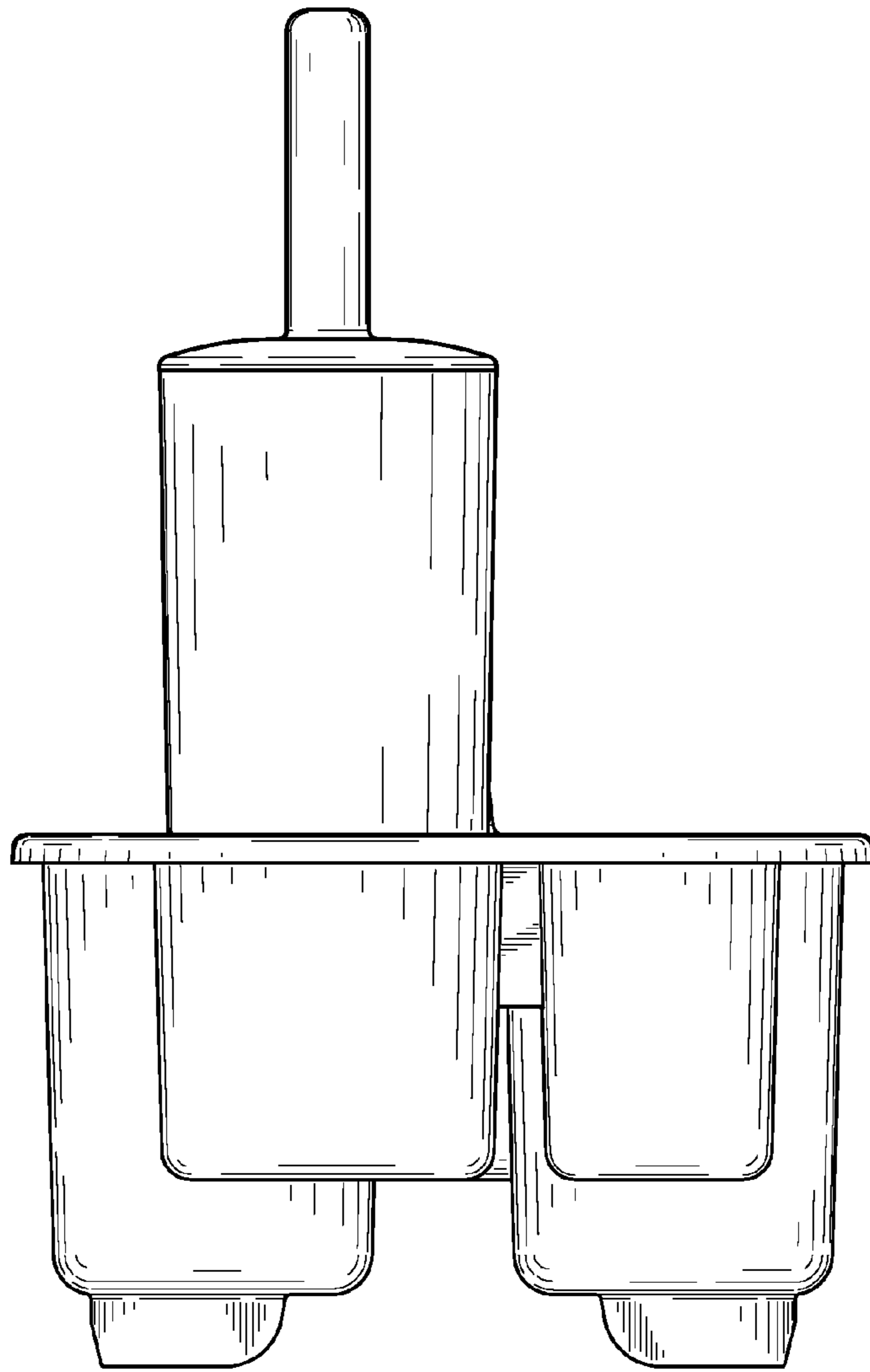


Fig. 4



**Fig. 5**

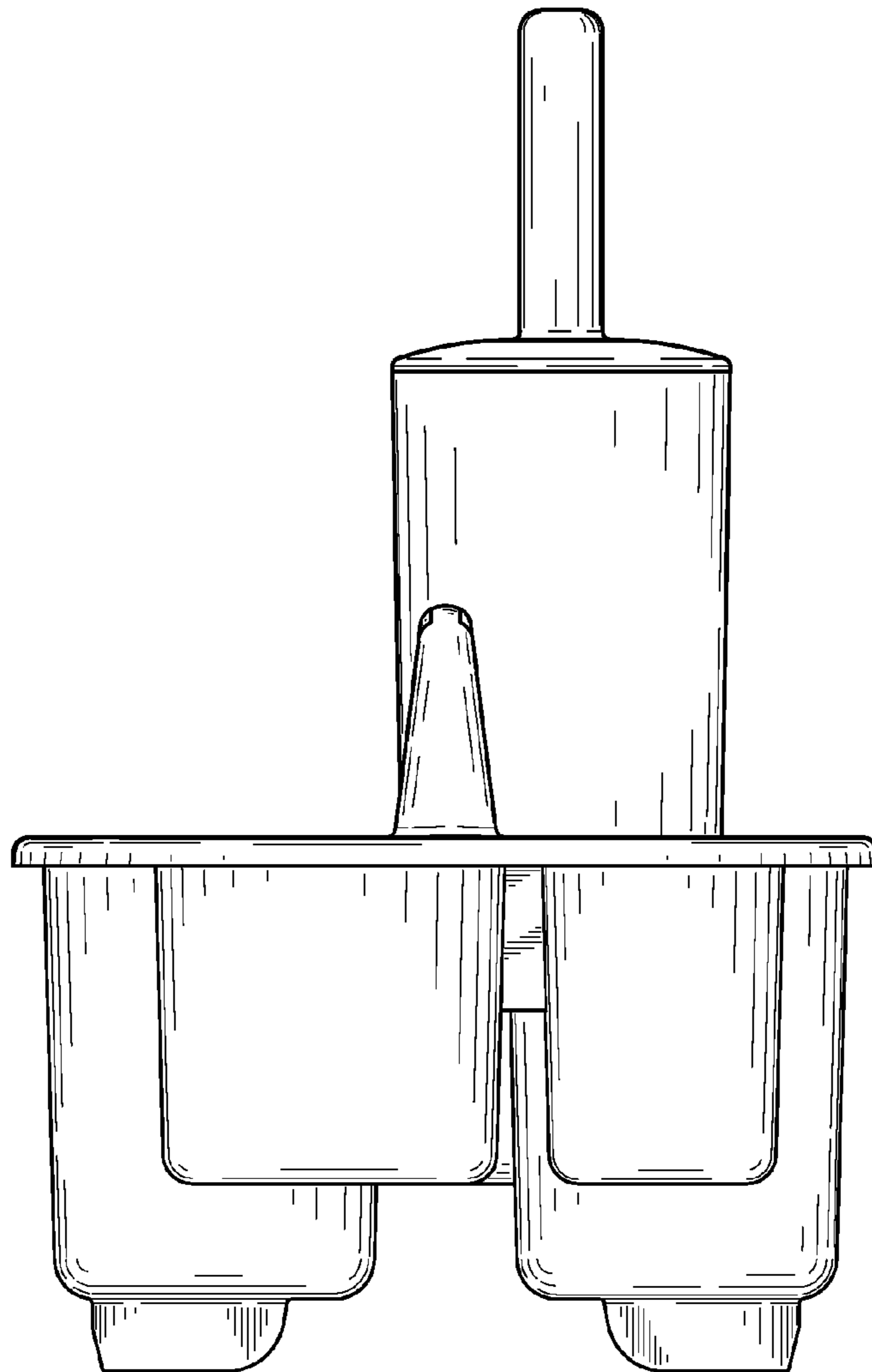


Fig. 6

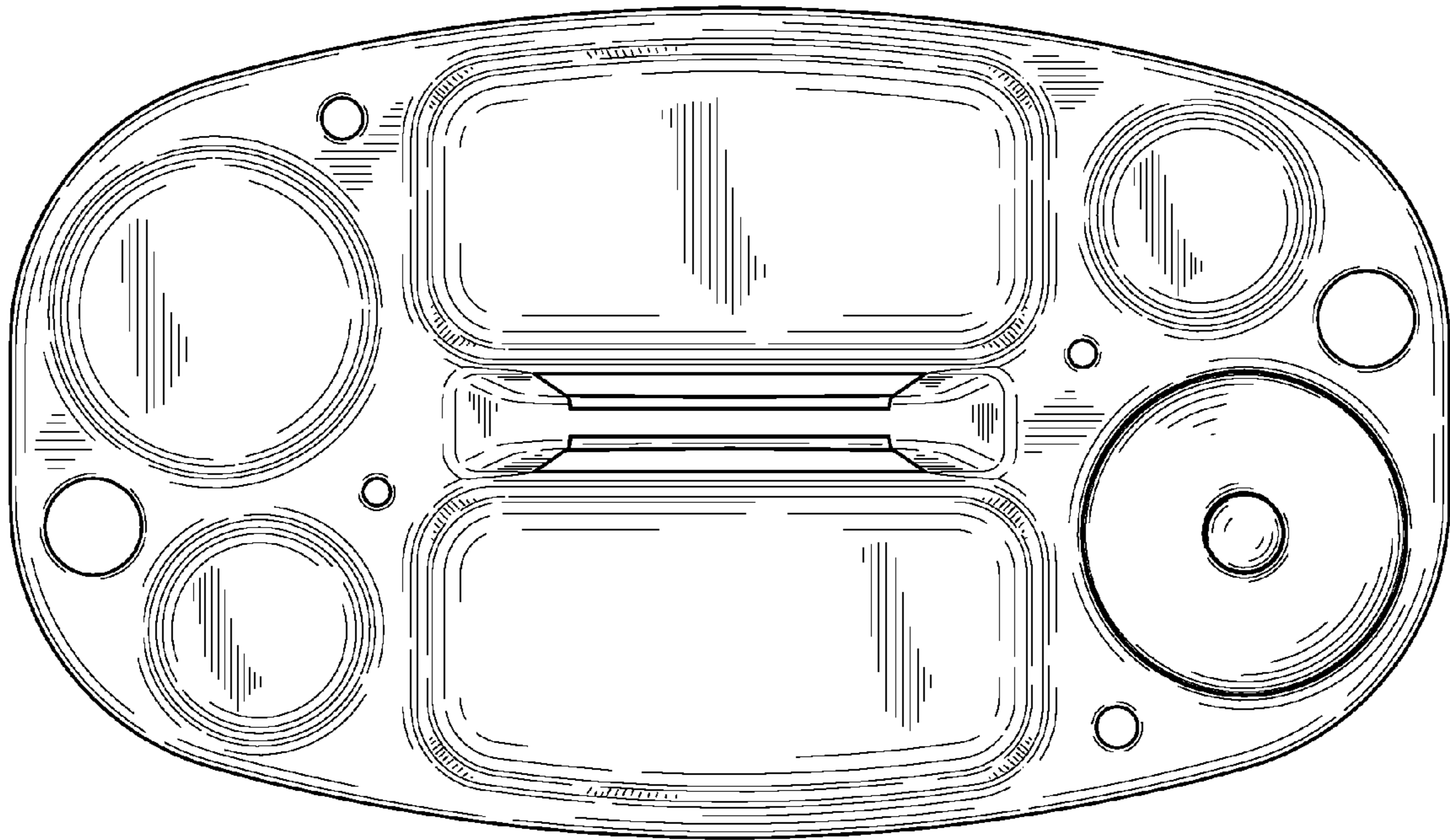


Fig. 7

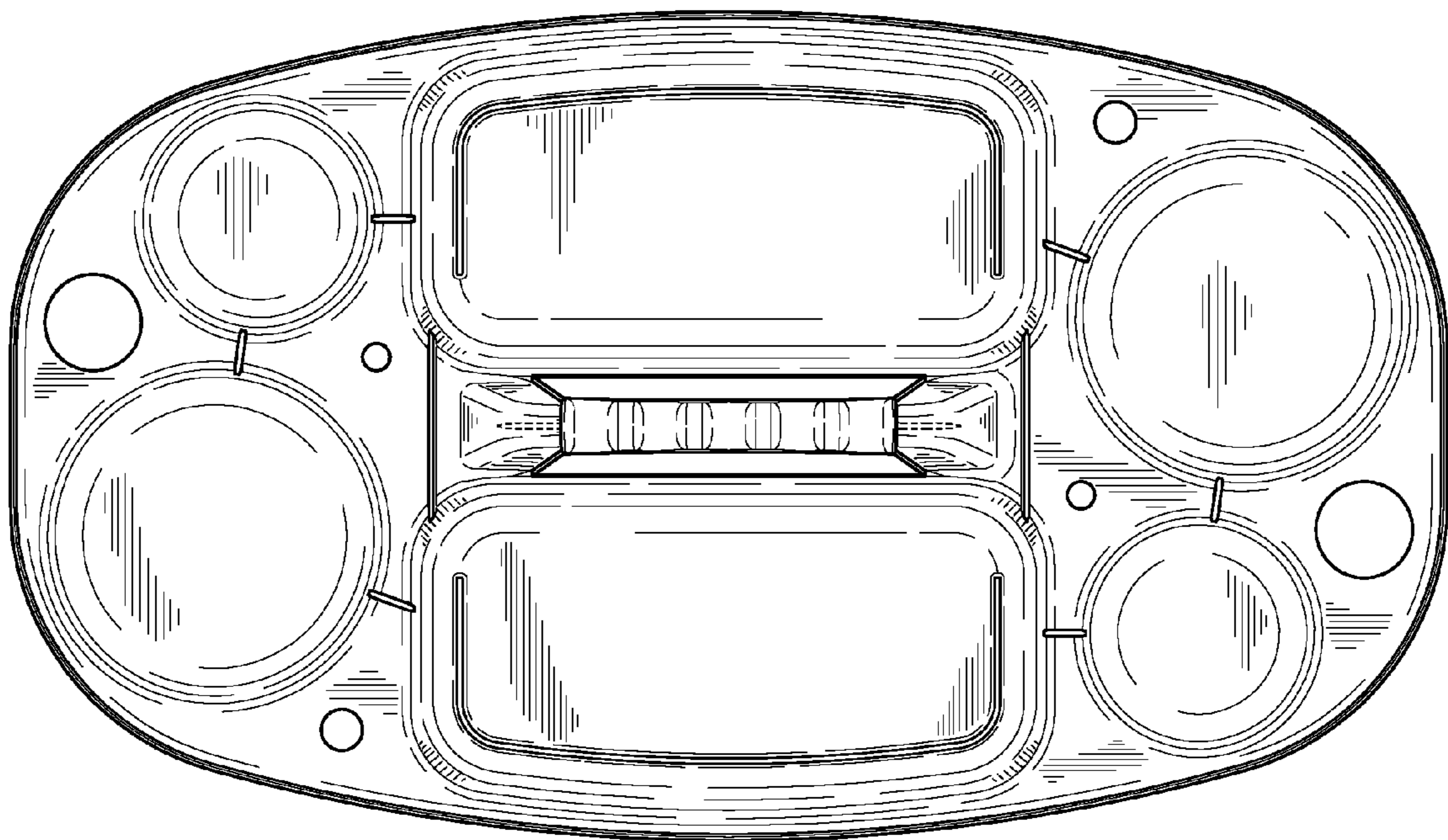
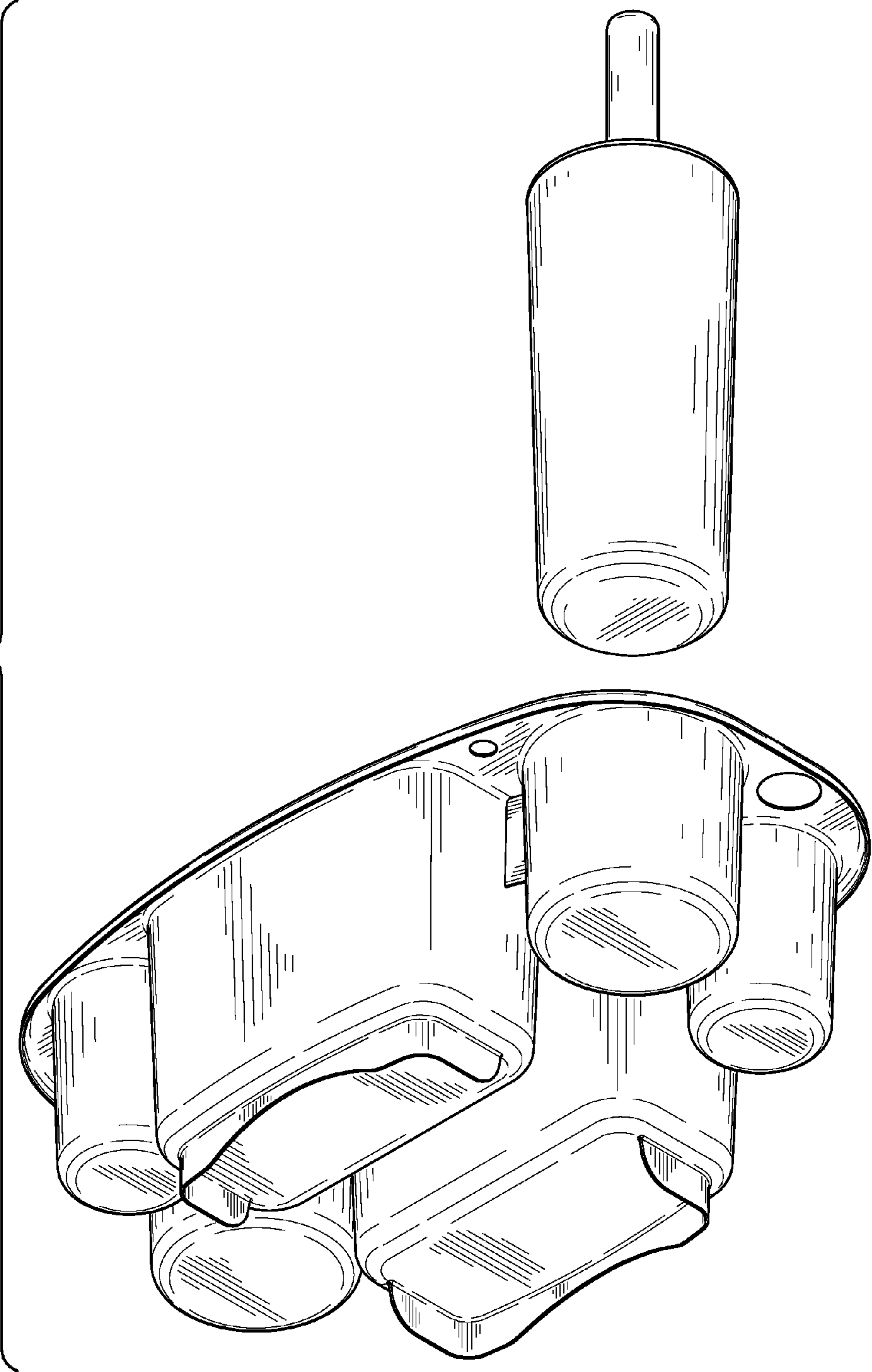


Fig. 8



Fig. 9



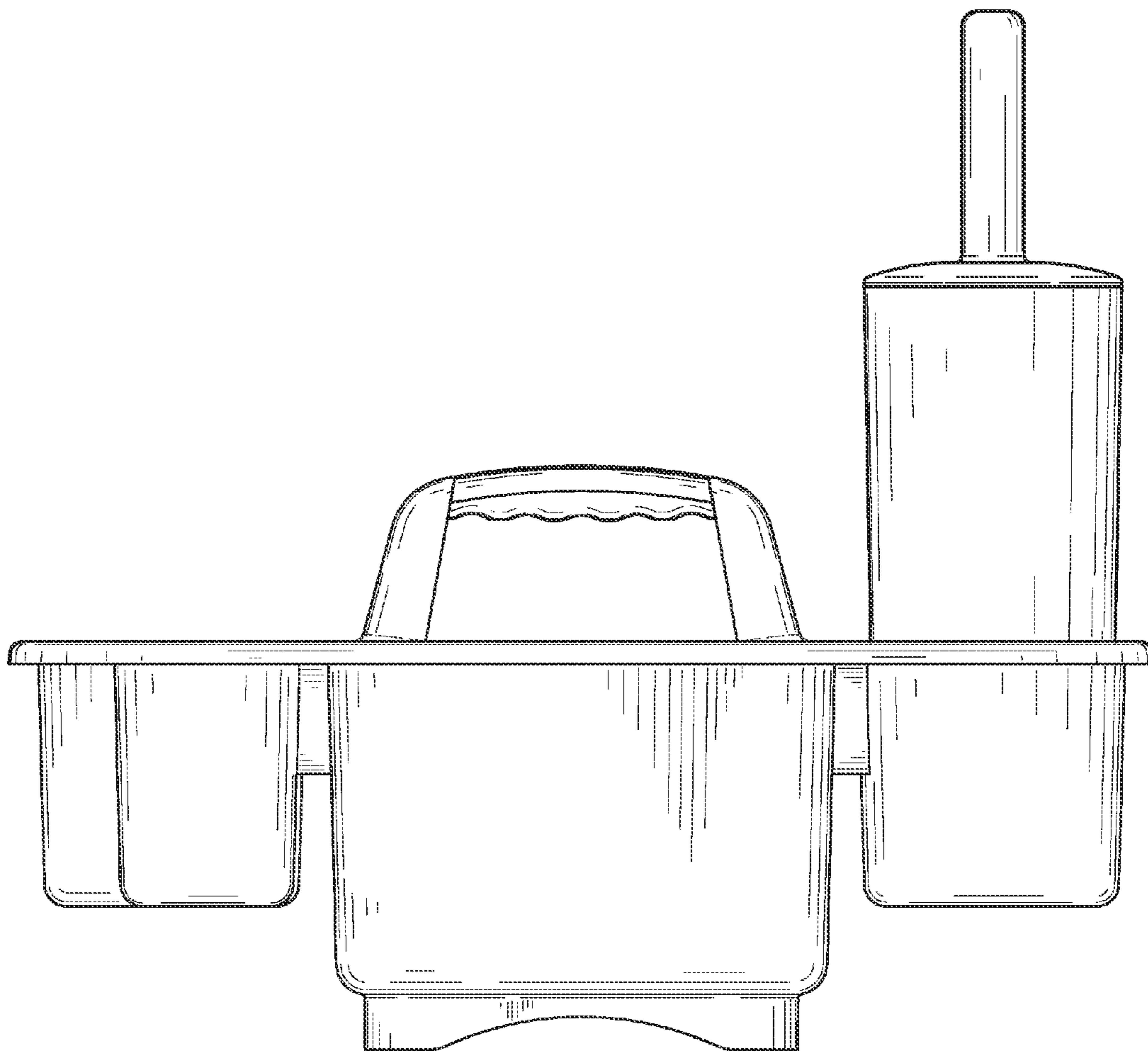


Fig. 10

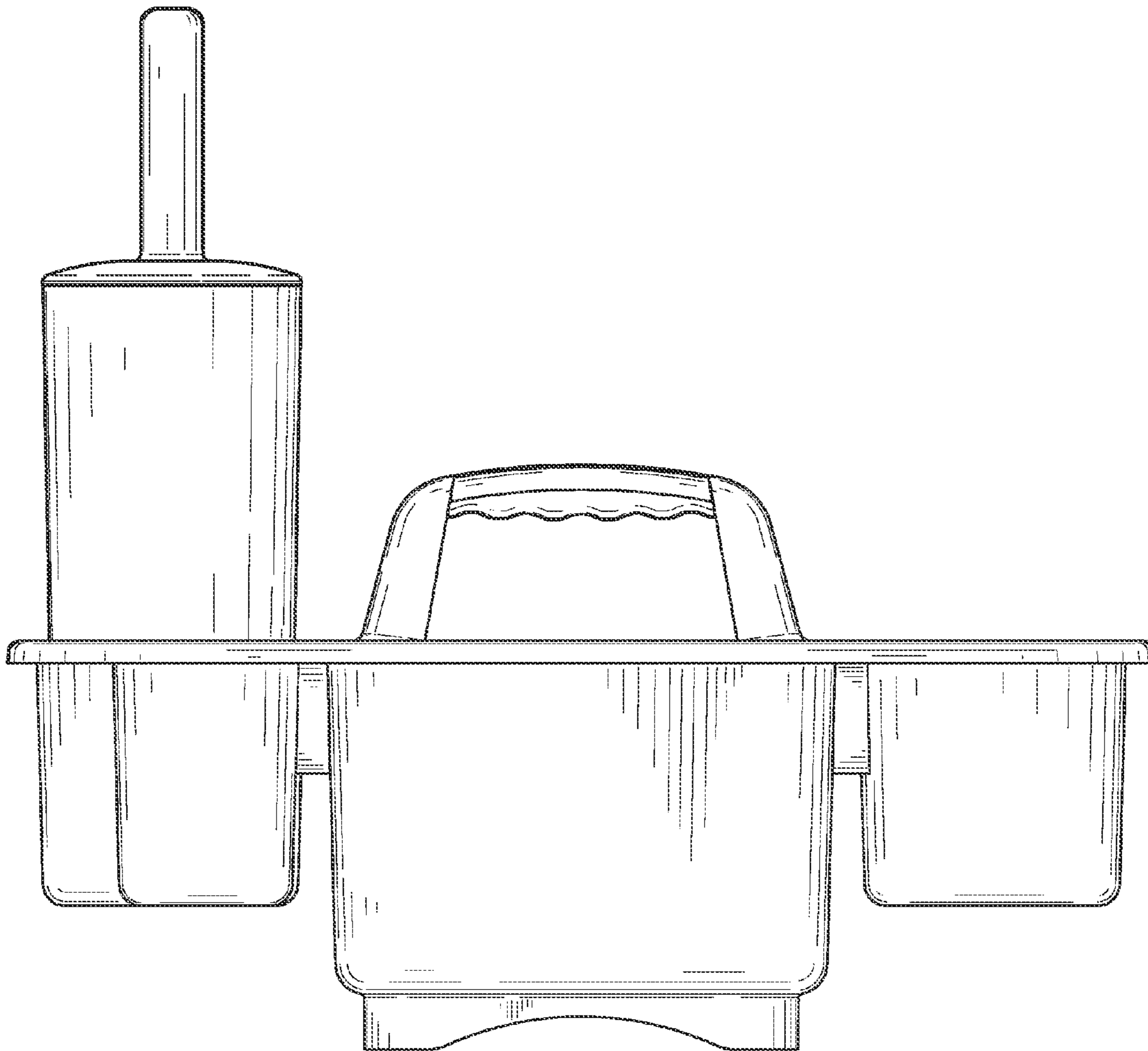


Fig. 11

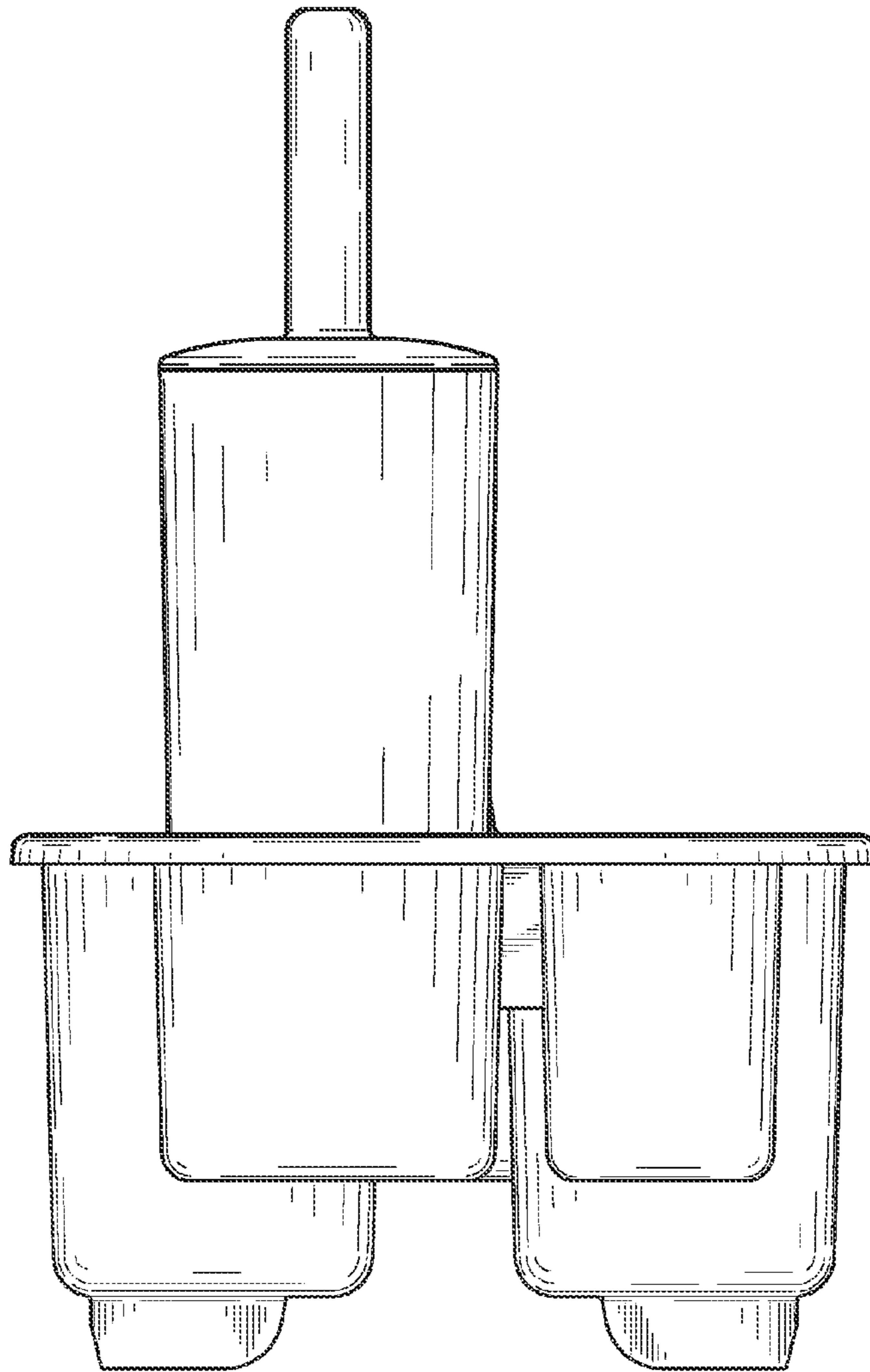


Fig. 12

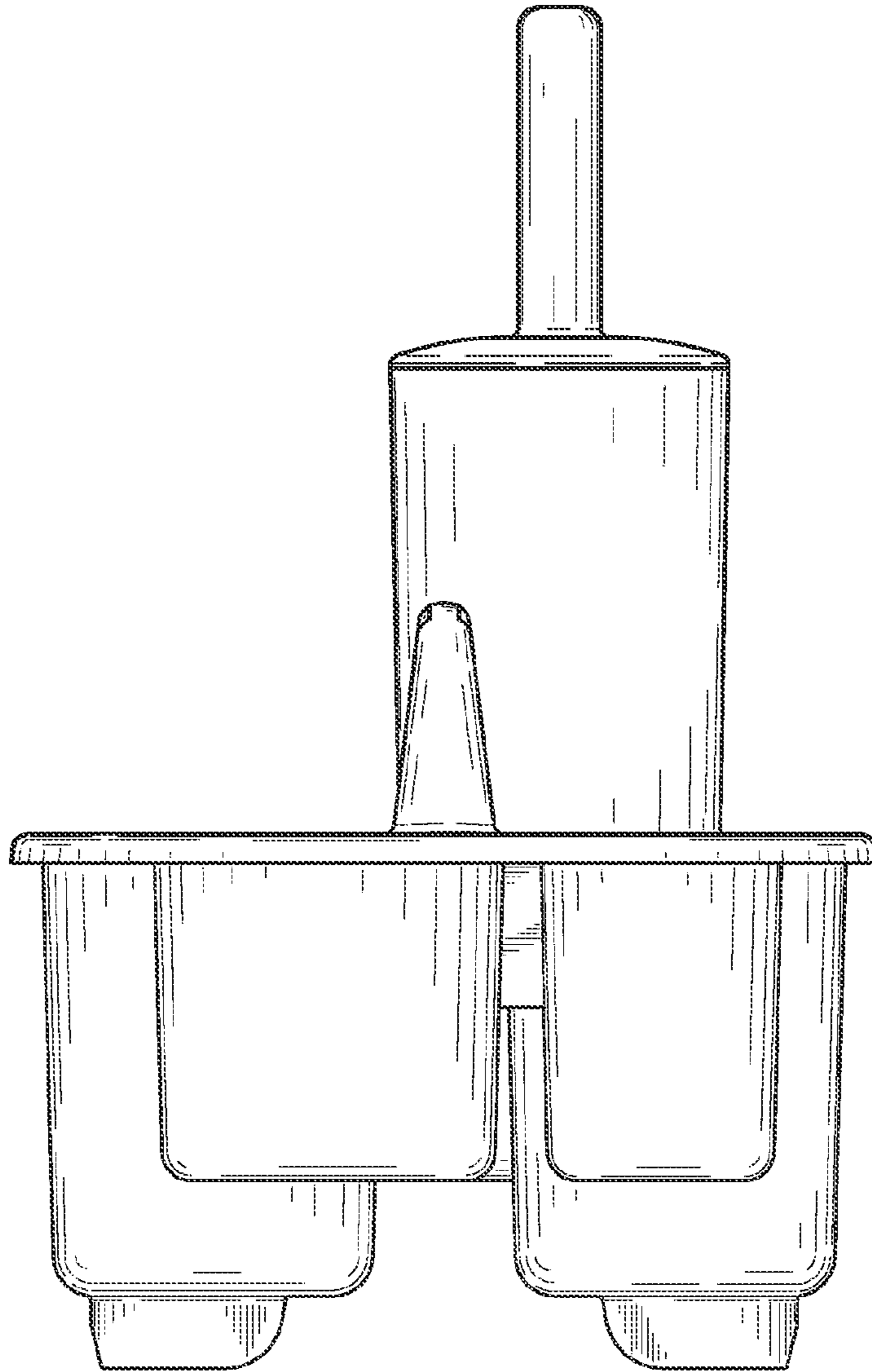


Fig. 13

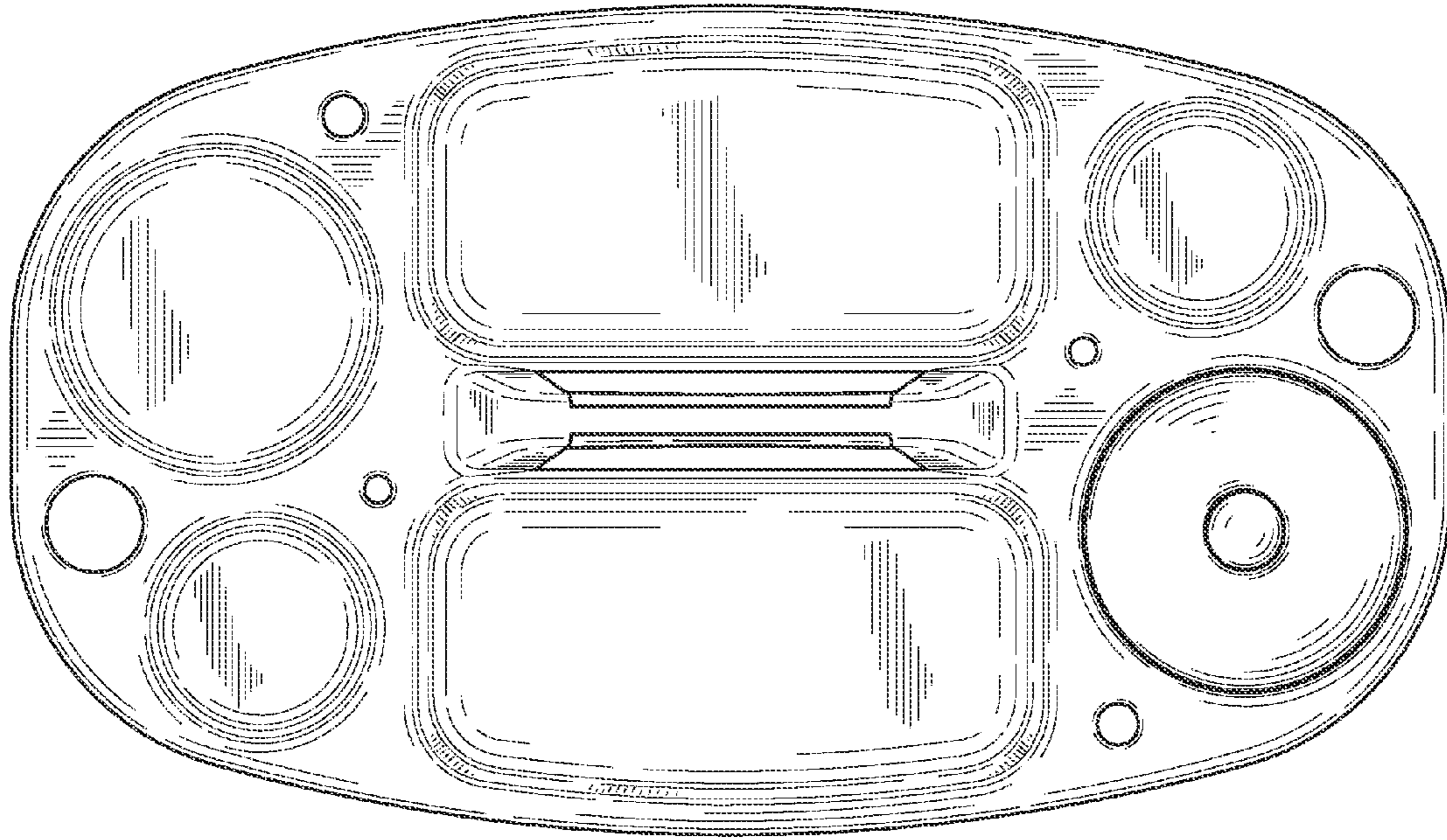


Fig. 14

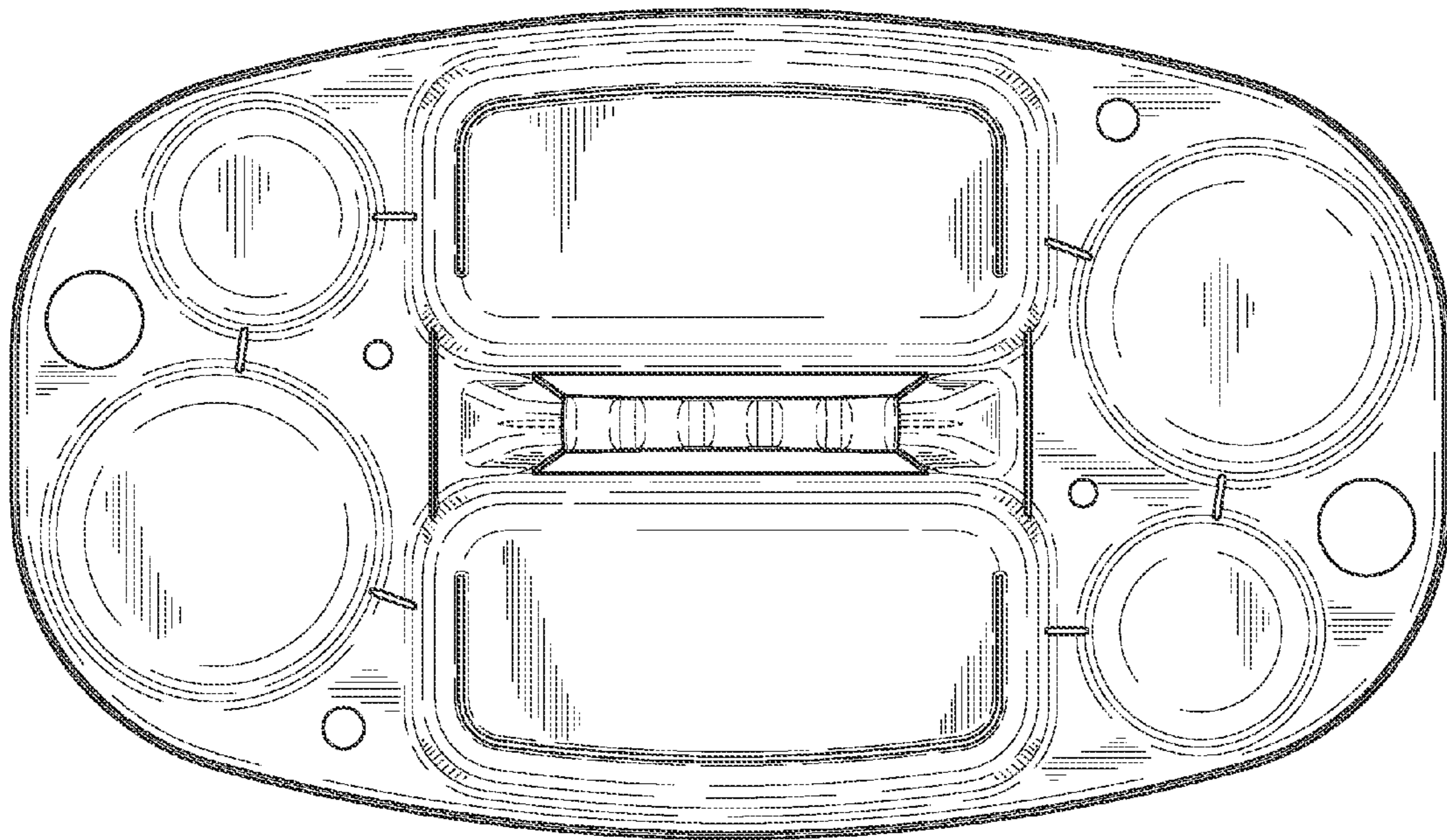


Fig. 15

Fig. 16

