

US00D690935S

(12) **United States Design Patent**
Denzinger

(10) **Patent No.:** **US D690,935 S**

(45) **Date of Patent:** **** Oct. 8, 2013**

(54) **LAPTOP COMPUTER BAG**

(75) Inventor: **Benjamin J. Denzinger**, Los Angeles, CA (US)

(73) Assignee: **Sun Coast Merchandise Corp.**, Commerce, CA (US)

(**) Term: **14 Years**

(21) Appl. No.: **29/395,352**

(22) Filed: **Jan. 6, 2012**

(51) **LOC (9) Cl.** **03-01**

(52) **U.S. Cl.**
USPC **D3/299**

(58) **Field of Classification Search**
USPC D3/299, 303, 290, 247, 249–253, 273, D3/265, 300, 215; 206/503–507, 509–510, 206/514–515, 518, 576, 701, 703, 37–38; 150/131–132, 140–141
See application file for complete search history.

(56) **References Cited**

U.S. PATENT DOCUMENTS

D525,024 S *	7/2006	Fridie et al.	D3/201
D584,510 S *	1/2009	Lown et al.	D3/301
D625,519 S *	10/2010	Lown et al.	D3/299
D643,626 S *	8/2011	Swartz et al.	D3/299
D660,592 S *	5/2012	Mecchella	D3/299

D667,221 S *	9/2012	Fair et al.	D3/299
D672,146 S *	12/2012	Fathollahi	D3/299
D681,332 S *	5/2013	Rashid	D3/303

* cited by examiner

Primary Examiner — Sheryl Lane

(74) *Attorney, Agent, or Firm* — Steven E. Shapiro

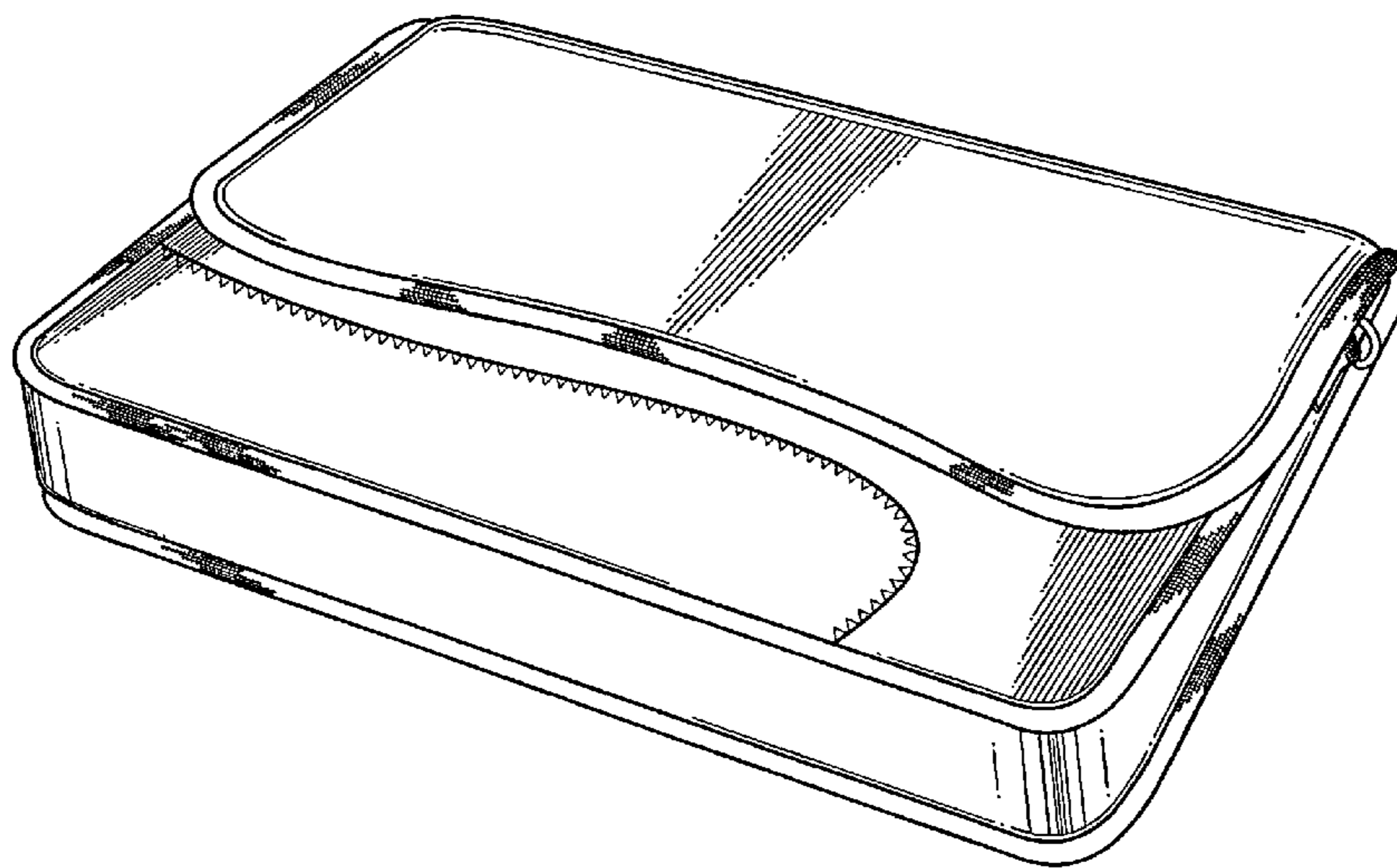
(57) **CLAIM**

The ornamental design for a laptop computer bag, as shown and described.

DESCRIPTION

FIG. 1 is a bottom, front perspective view of a laptop computer bag;
 FIG. 2 is a bottom, rear perspective view of the laptop computer bag;
 FIG. 3 is a top, front perspective view of the laptop computer bag;
 FIG. 4 is a front view of the laptop computer bag;
 FIG. 5 is a rear view of the laptop computer bag;
 FIG. 6 is a right, side view of the laptop computer bag;
 FIG. 7 is a left, side view of the laptop computer bag;
 FIG. 8 is a top view of the laptop computer bag;
 FIG. 9 is a bottom view of the laptop computer bag;
 FIG. 10 is a bottom, front perspective view of the laptop computer bag with the flap open; and,
 FIG. 11 is a bottom, rear perspective view of the laptop computer bag with the flap open.

1 Claim, 11 Drawing Sheets



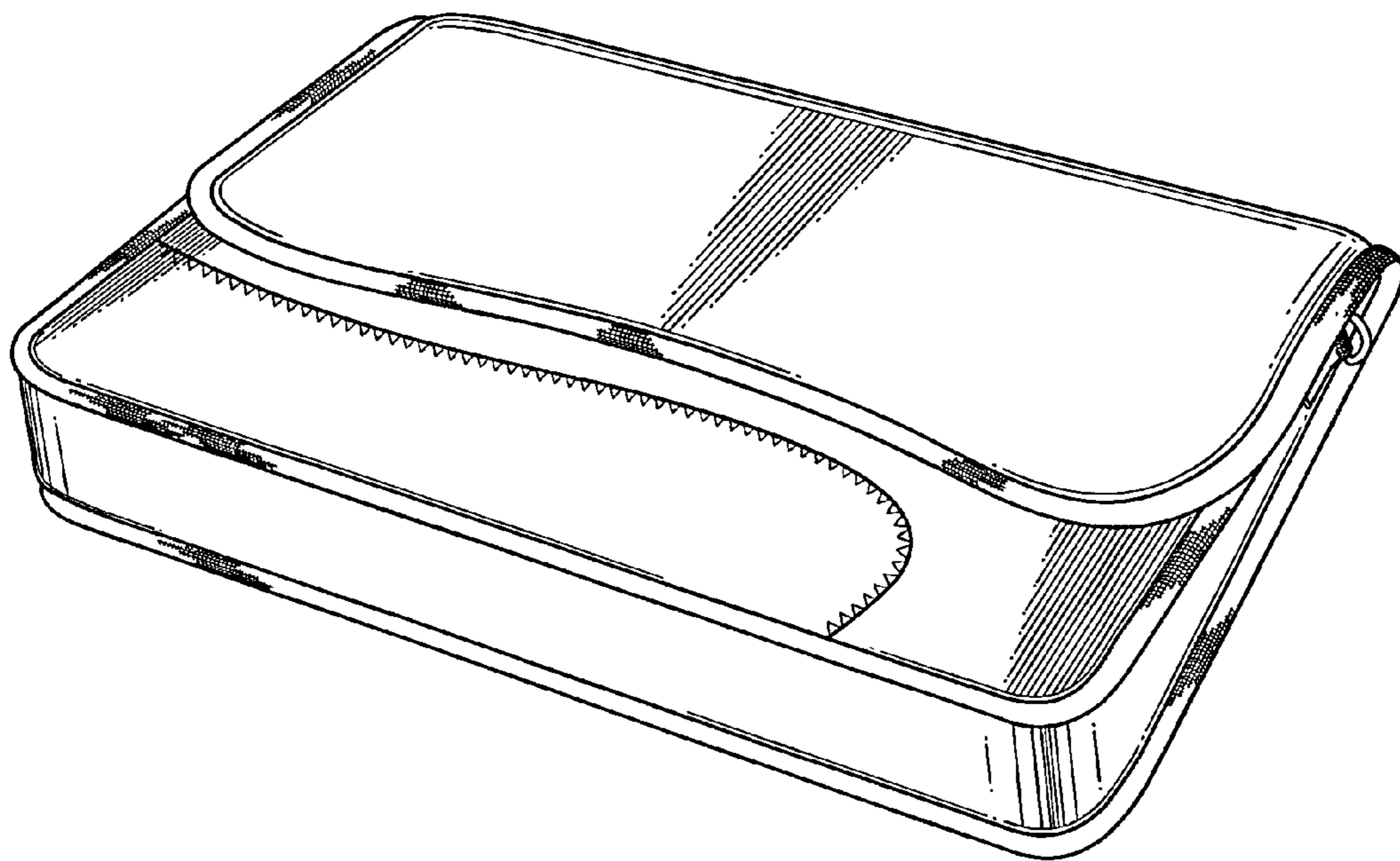


Fig. 1

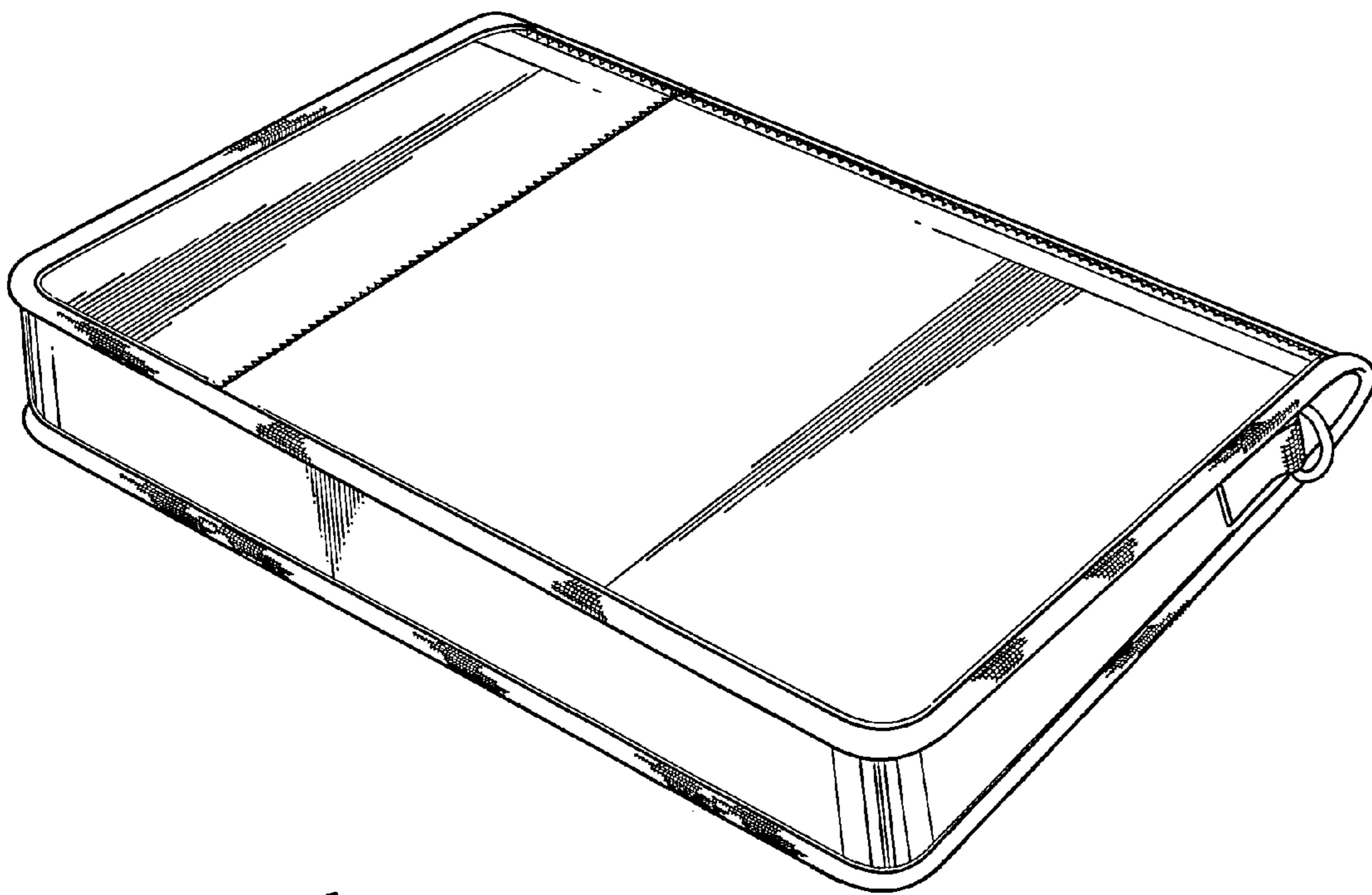


Fig. 2

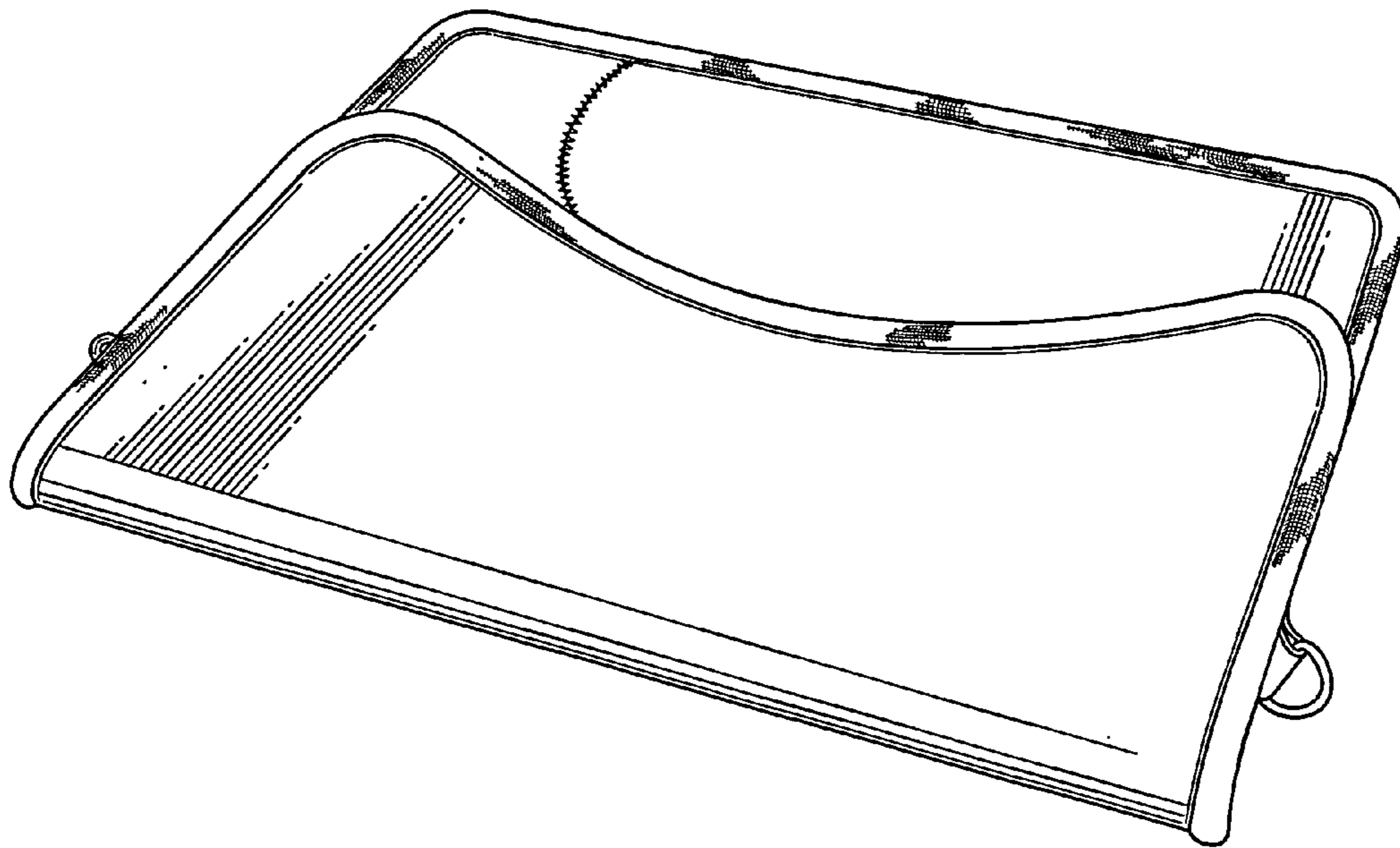


Fig. 3

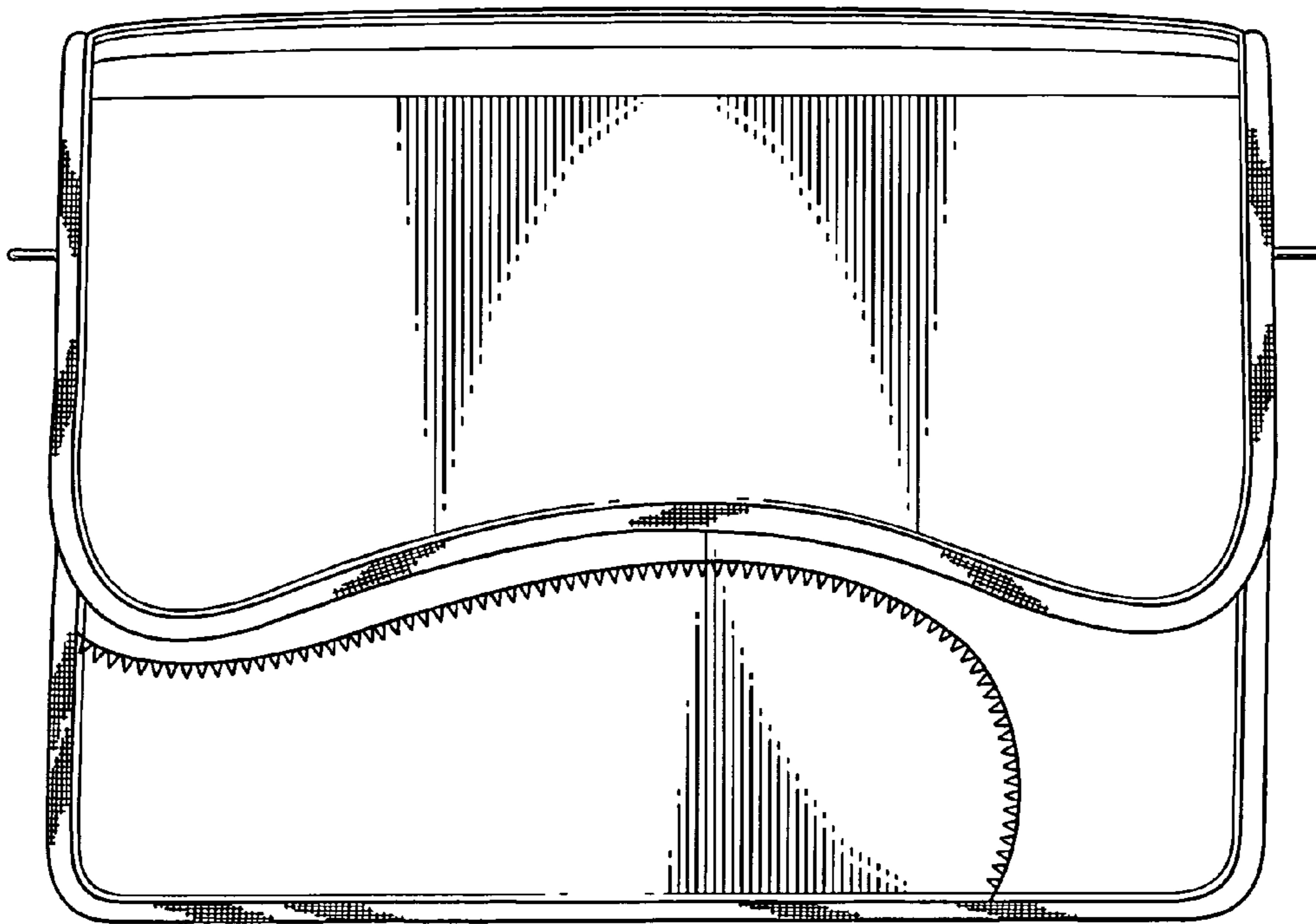


Fig. 4

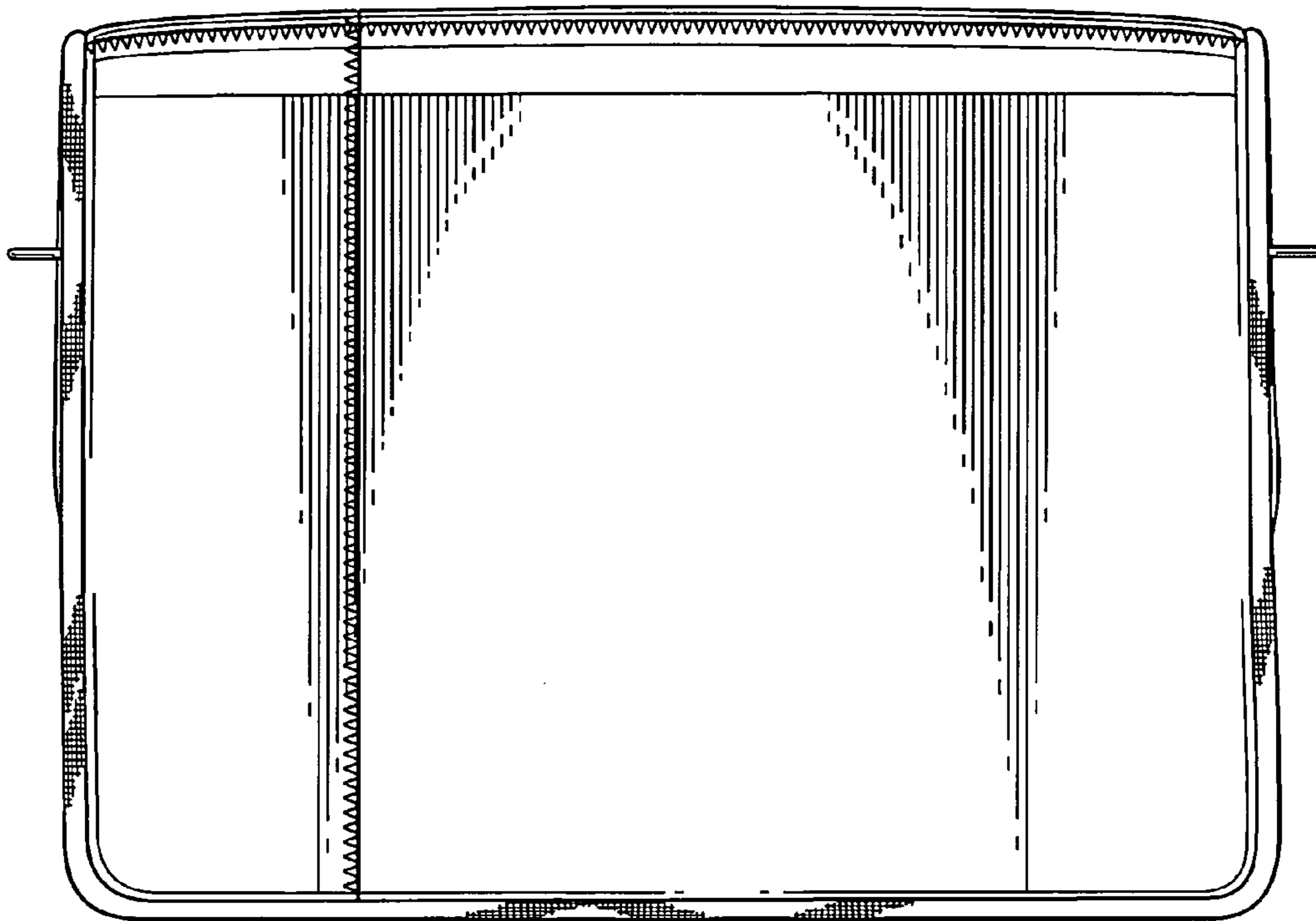


Fig. 5

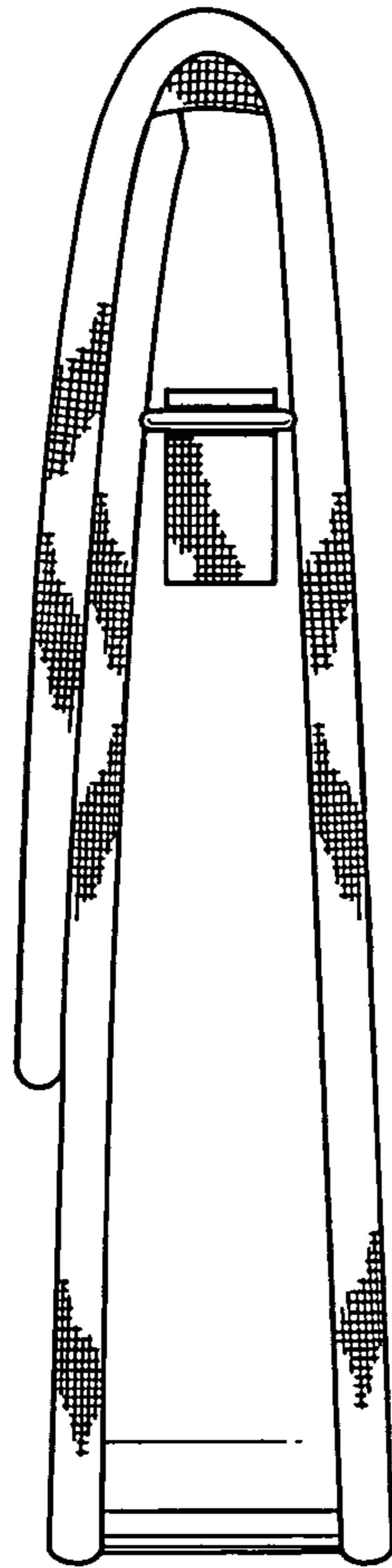


Fig. 6

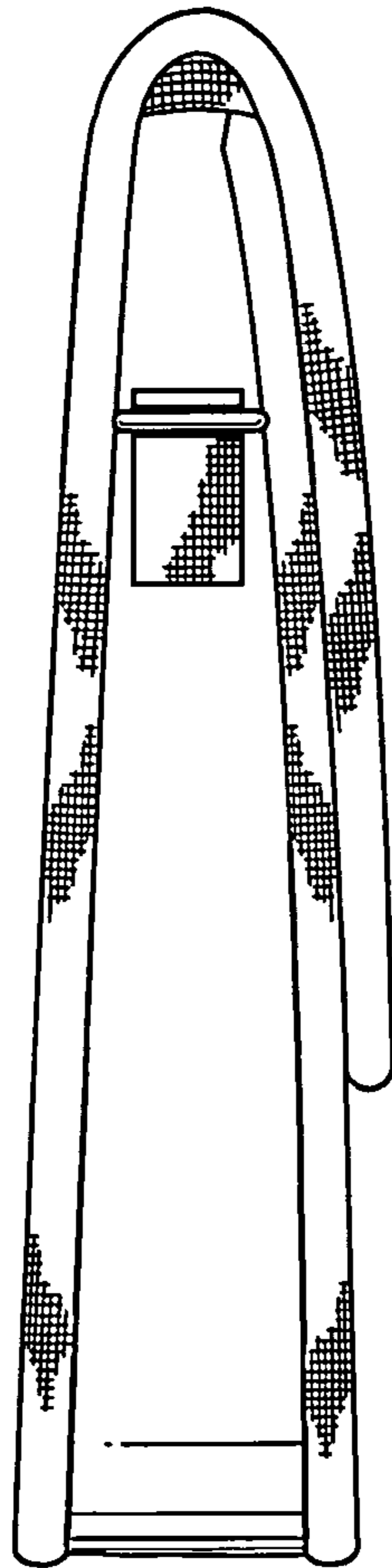


Fig. 7

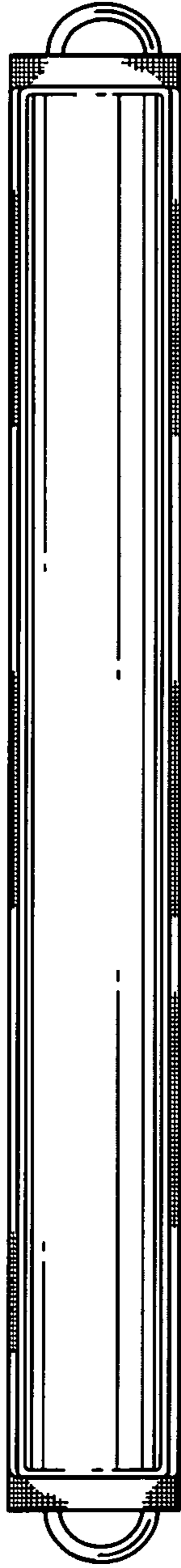


Fig. 8

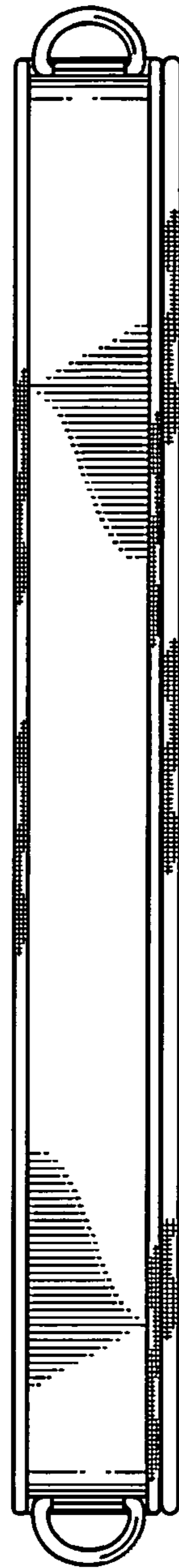


Fig. 9

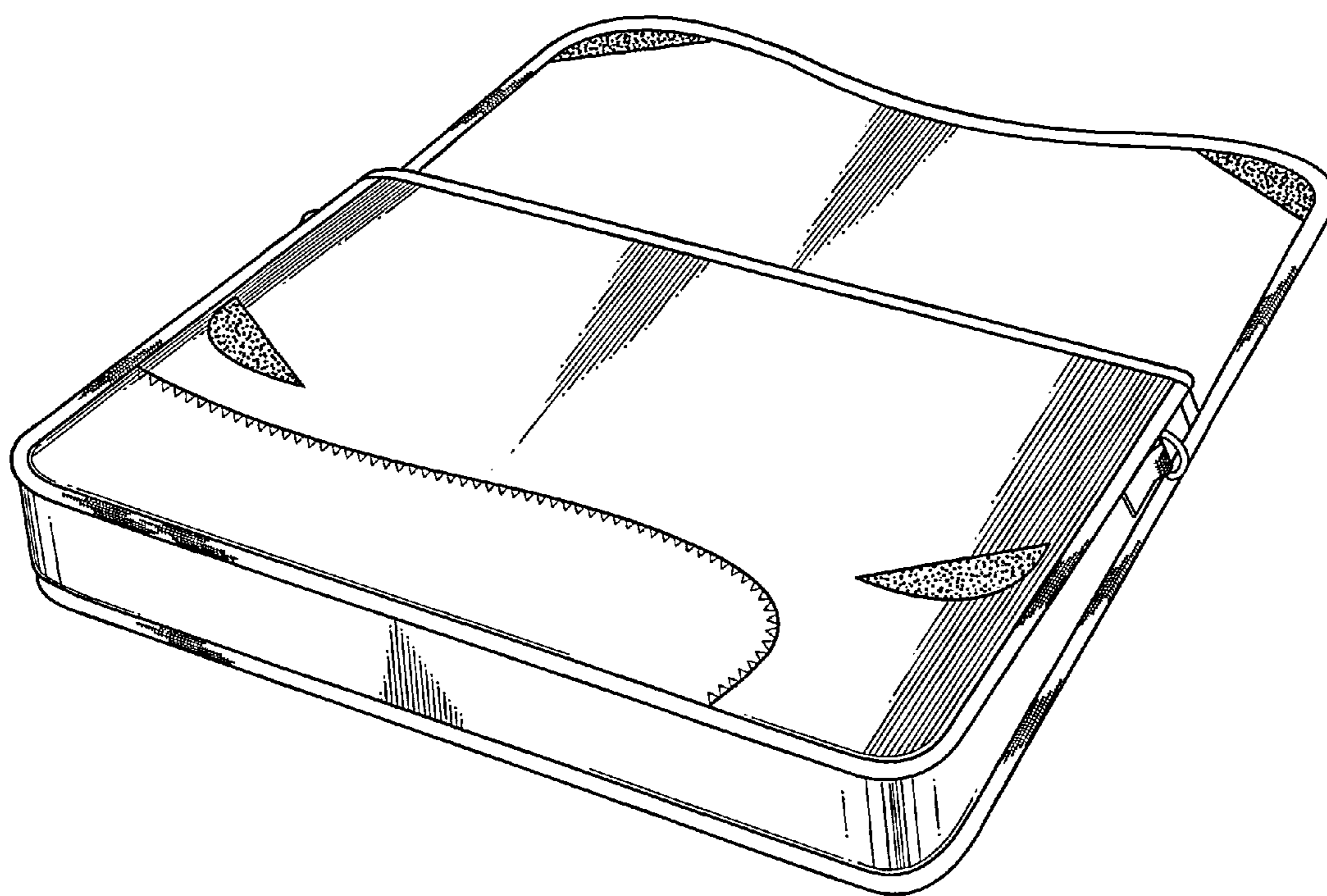


Fig. 10

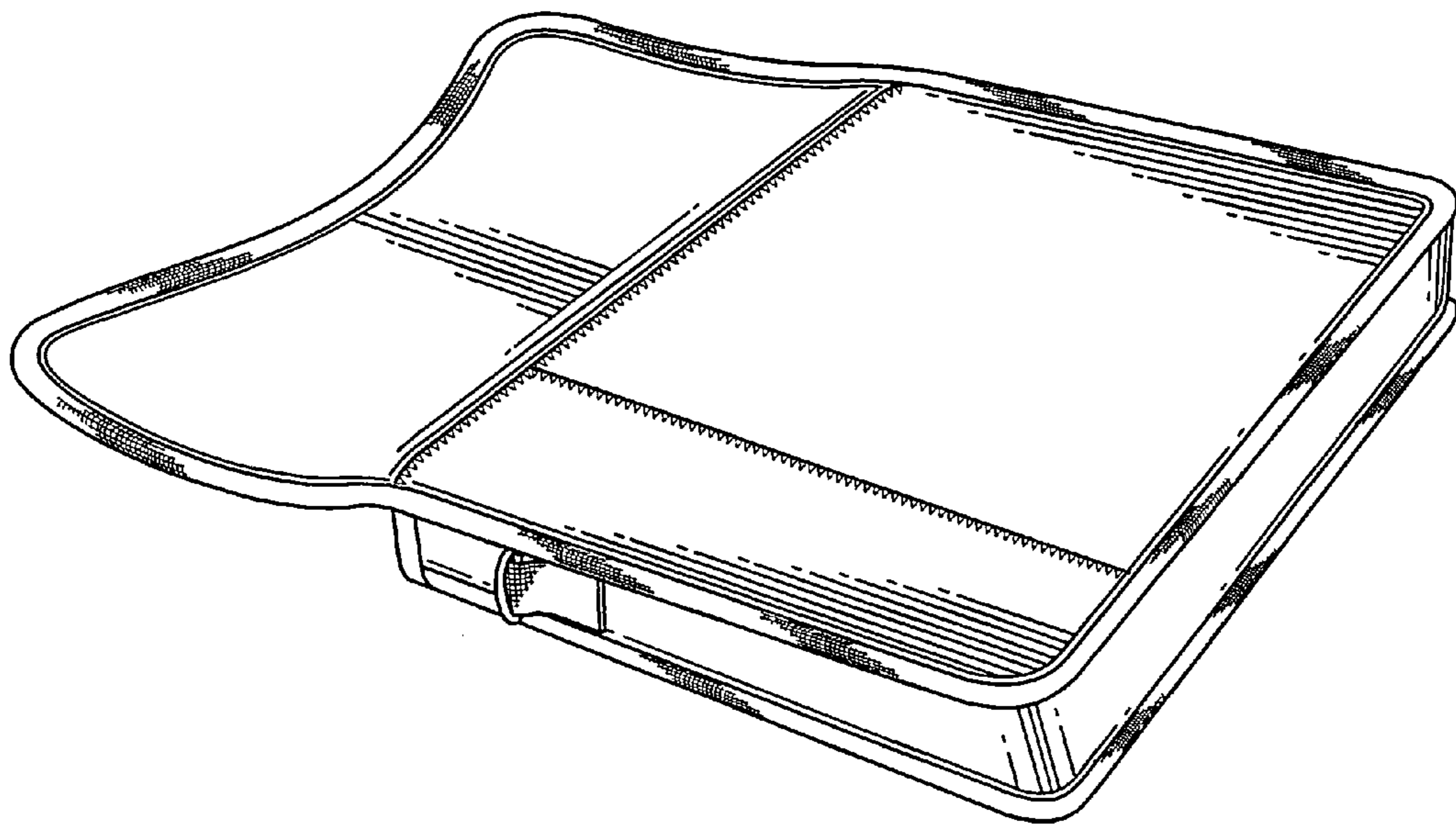


Fig. 11