

US00D690931S

(12) **United States Design Patent**
Minn et al.

(10) **Patent No.:** **US D690,931 S**

(45) **Date of Patent:** **** Oct. 8, 2013**

(54) **WALLET**

(75) Inventors: **Kenneth Minn**, Portland, OR (US);
Scott Hussa, Portland, OR (US)

(73) Assignee: **HUMN Design, LLC**, Portland, OR (US)

(**) Term: **14 Years**

(21) Appl. No.: **29/418,637**

(22) Filed: **Apr. 18, 2012**

(51) **LOC (9) Cl.** **03-01**

(52) **U.S. Cl.**
USPC **D3/247**

(58) **Field of Classification Search**
USPC D3/247, 249–253; 150/130, 132,
150/136–137, 145, 147

See application file for complete search history.

(56) **References Cited**

U.S. PATENT DOCUMENTS

D286,582	S	11/1986	Phelps	
5,077,869	A	1/1992	Haase	
5,279,019	A	1/1994	Knickle	
D384,499	S	10/1997	Gaestel	
7,000,291	B2	2/2006	Fuller	
7,640,632	B2	1/2010	Lazarus	
D613,293	S *	4/2010	Sheba	D14/435
D627,786	S *	11/2010	Hsia	D14/435
D630,848	S *	1/2011	Long et al.	D3/247
7,971,324	B2	7/2011	Preston-Hall	
2003/0038043	A1	2/2003	Painsith	
2006/0187055	A1	8/2006	Colby	
2007/0109130	A1	5/2007	Edenfield	
2007/0256279	A1	11/2007	Glickfield	
2007/0289775	A1	12/2007	Potts	
2010/0230018	A1	9/2010	Nielsen	

FOREIGN PATENT DOCUMENTS

CN	2648884	10/2004
CN	201536722	8/2010
GB	128510	6/1919
KR	20070072050	7/2007
RO	121314	3/2007
WO	2010097342	9/2010

OTHER PUBLICATIONS

Wintercheck Factory Website: William Wallet, Oct. 2, 2010, <http://web.archive.org/web/20101002104327/http://www.wintercheckfactory.com/shop/13-william-wallet>.

* cited by examiner

Primary Examiner — Holly Baynham

(74) *Attorney, Agent, or Firm* — Stolowitz Ford Cowger LLP

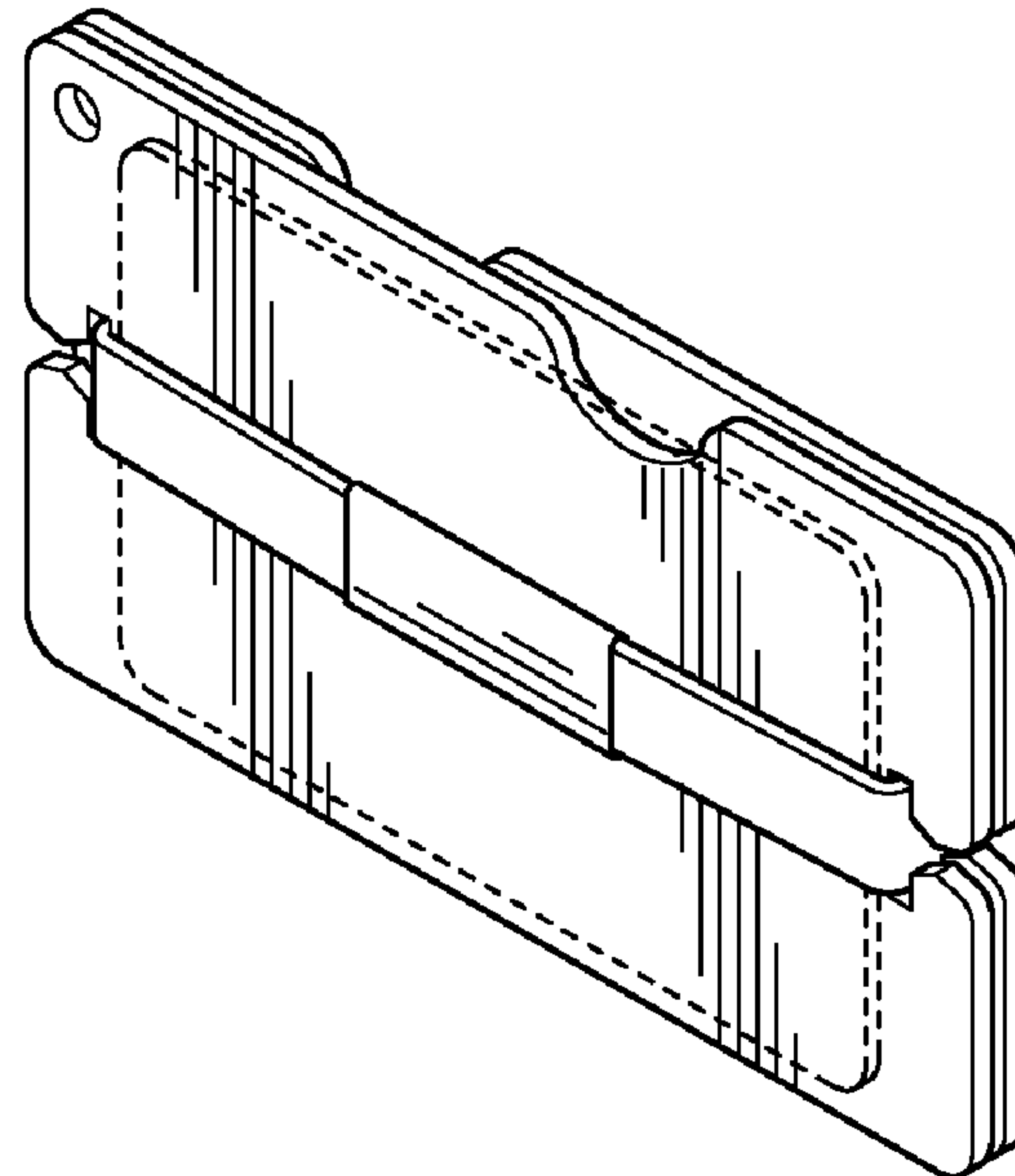
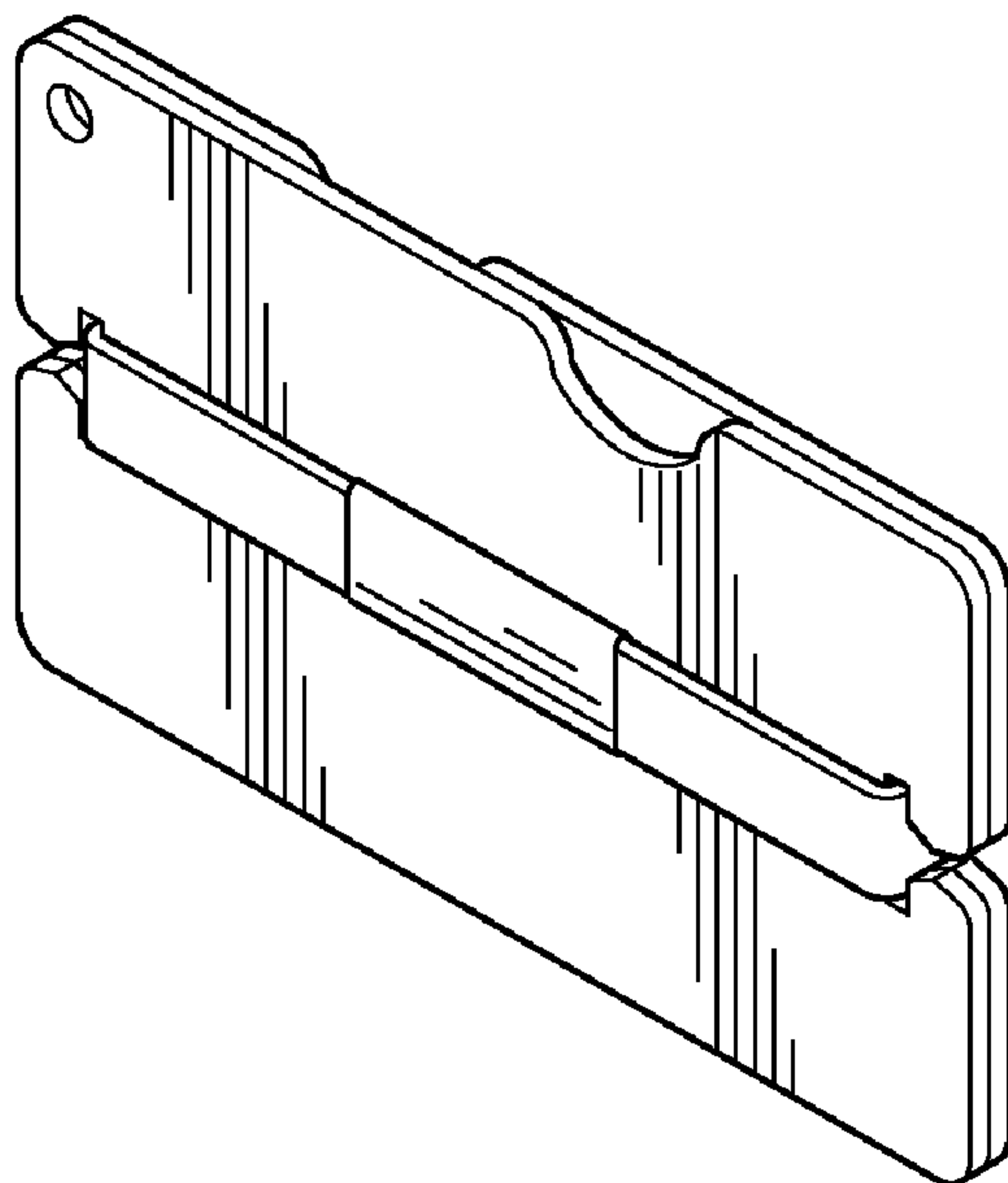
(57) **CLAIM**

The ornamental design for a wallet, as shown and described.

DESCRIPTION

FIG. 1 is a front elevational view of a wallet; FIG. 2 is a right side elevational view; FIG. 3 is a left side elevational view; FIG. 4 is a top plan view; FIG. 5 is a bottom plan view; FIG. 6 is a rear elevational view; FIG. 7 is a perspective view; and, FIG. 8 is an environmental perspective view. The broken lines showing a credit card are for the purposes of illustrating environment and form no part of the claimed design.

1 Claim, 1 Drawing Sheet



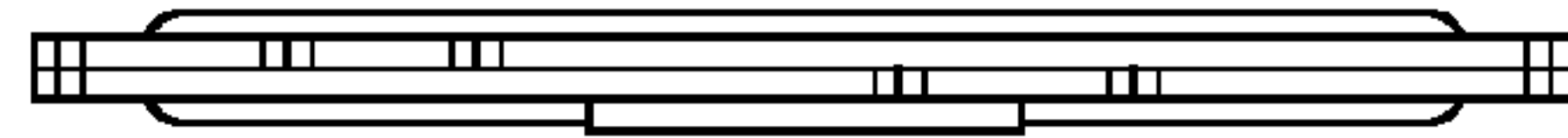


FIG. 4



FIG. 3

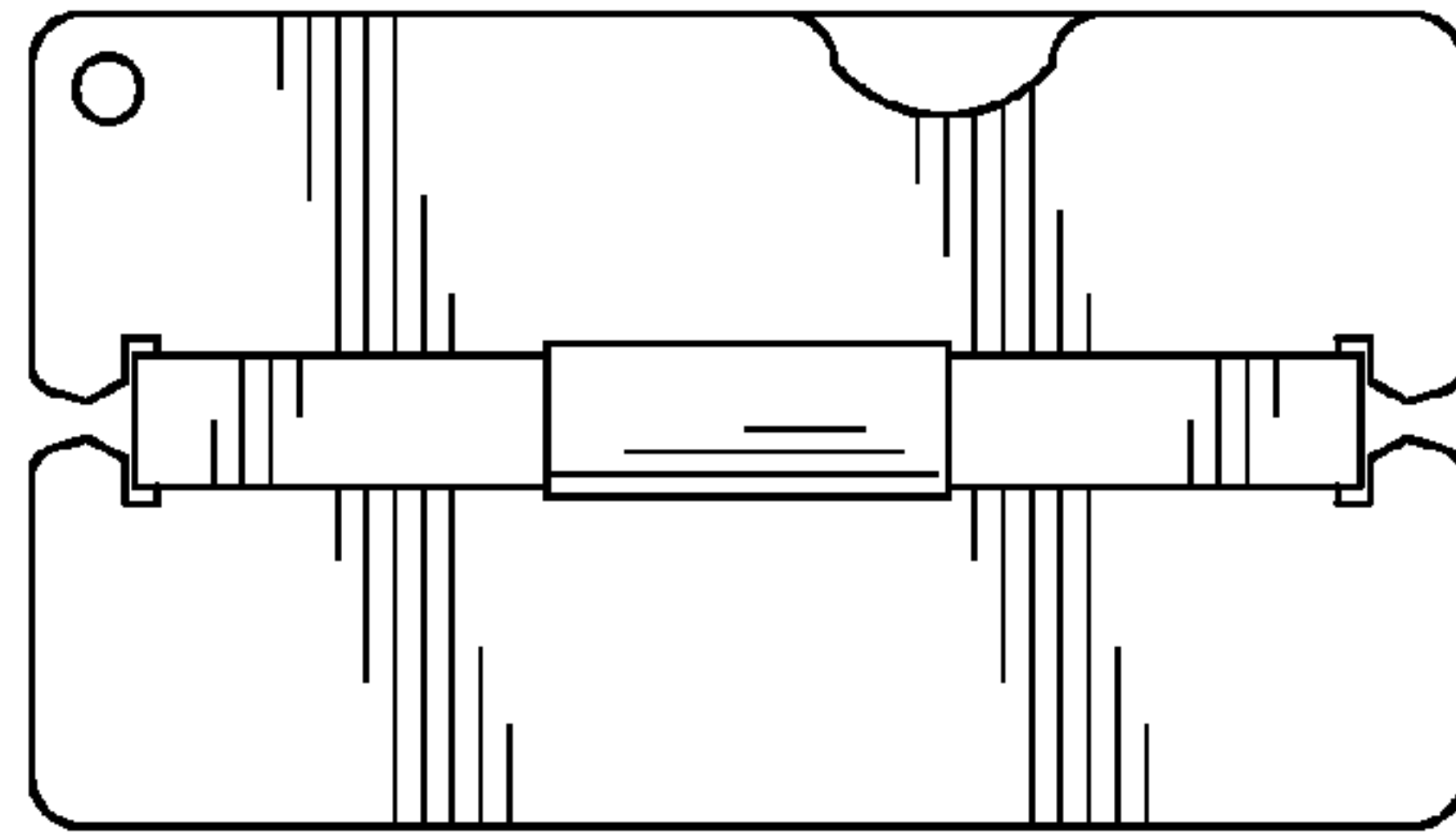


FIG. 1



FIG. 2

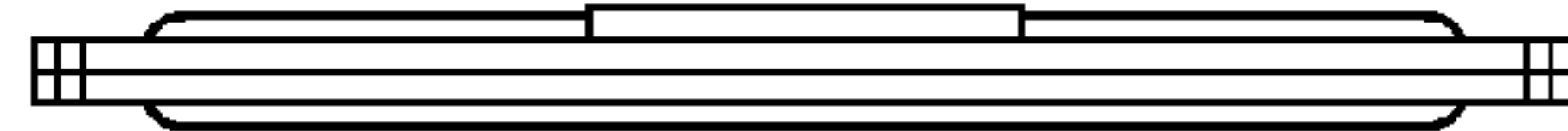


FIG. 5

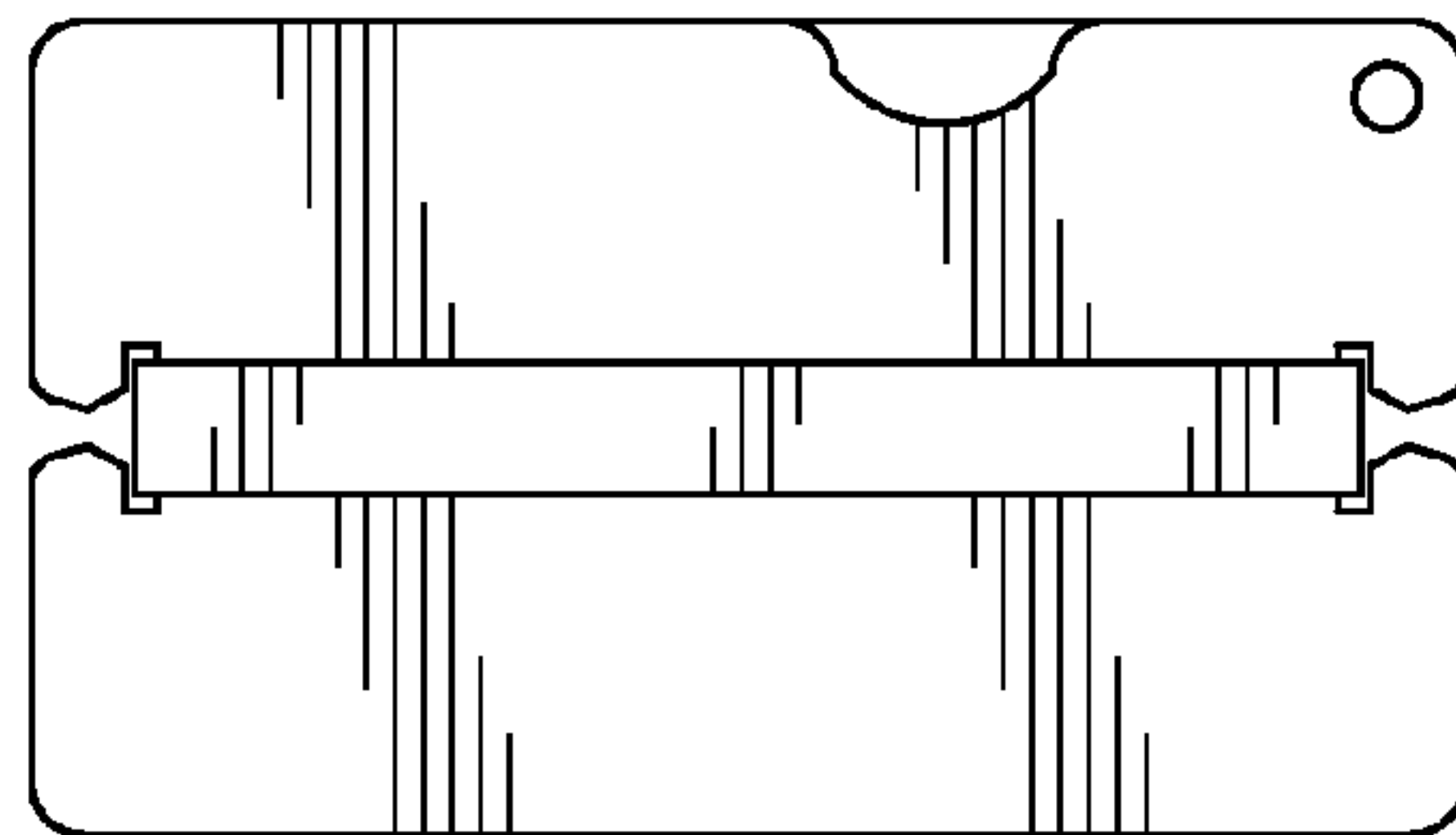


FIG. 6

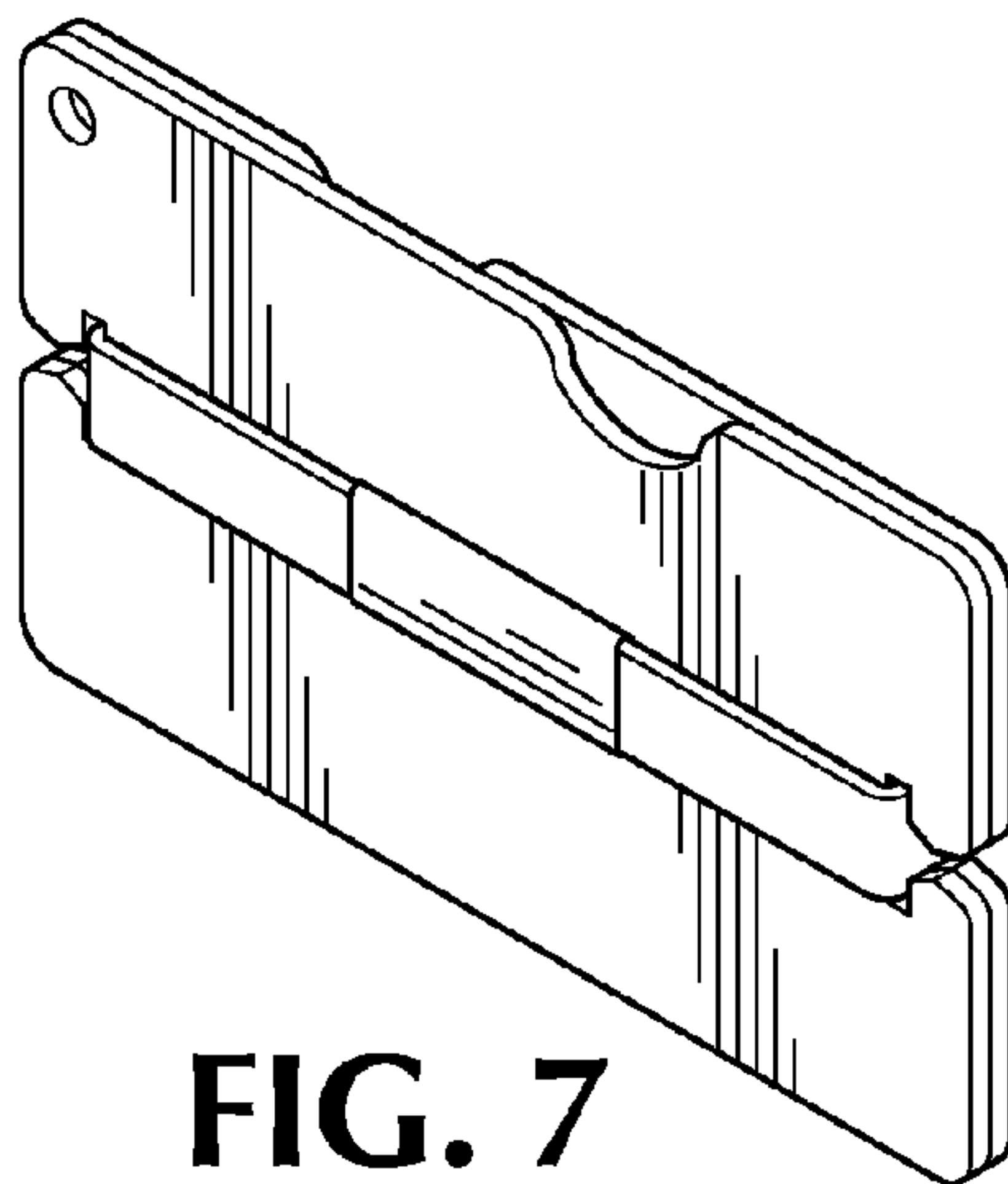


FIG. 7

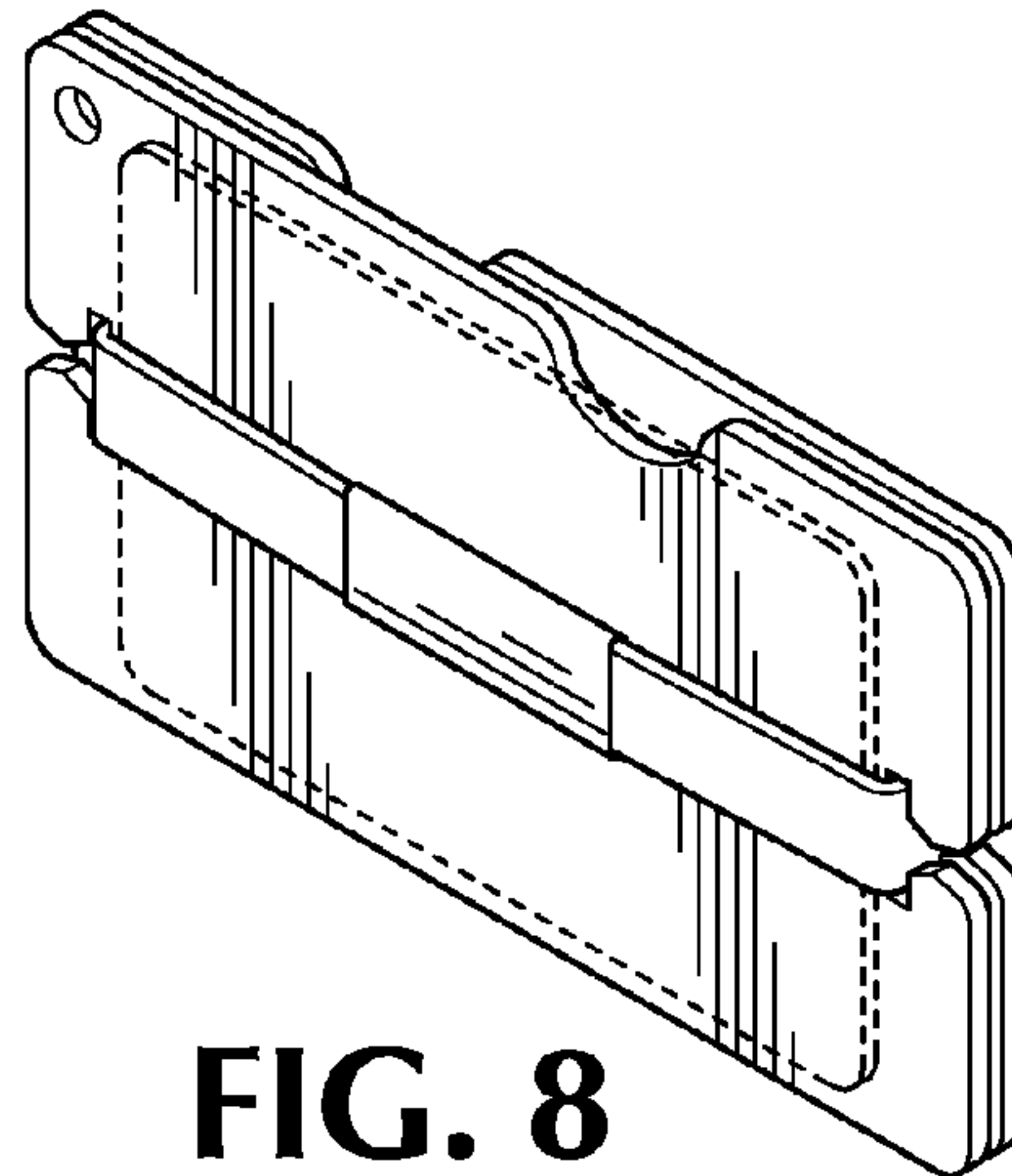


FIG. 8