

US00D690930S

(12) **United States Design Patent**
Hilliard

(10) **Patent No.:** **US D690,930 S**

(45) **Date of Patent:** **** Oct. 8, 2013**

(54) **CHEST CARRIER**

(56) **References Cited**

(71) Applicant: **Stephen Glenn Hilliard**, Cainhoy, SC
(US)

U.S. PATENT DOCUMENTS

(72) Inventor: **Stephen Glenn Hilliard**, Cainhoy, SC
(US)

D185,583	S	*	6/1959	Stella	D3/223
3,346,154	A	*	10/1967	Bishop	224/184
D252,695	S	*	8/1979	Munz	D3/224
5,064,108	A	*	11/1991	Headley	224/663
D455,548	S	*	4/2002	Cragg	D3/224
D559,534	S	*	1/2008	Rider et al.	D3/224
D578,751	S	*	10/2008	Holtzclaw, Jr.	D3/224

(73) Assignee: **Blue Force Gear, Inc.**, Pooler, GA (US)

* cited by examiner

(**) Term: **14 Years**

Primary Examiner — Catheri Oliver-Garcia

(21) Appl. No.: **29/443,234**

(74) *Attorney, Agent, or Firm* — Amy Allen Hinson; Nexsen Pruet, LLC

(22) Filed: **Jan. 15, 2013**

(57) **CLAIM**

I claim the ornamental design for a chest carrier, substantially as shown and described.

(51) **LOC (9) Cl.** **03-01**

DESCRIPTION

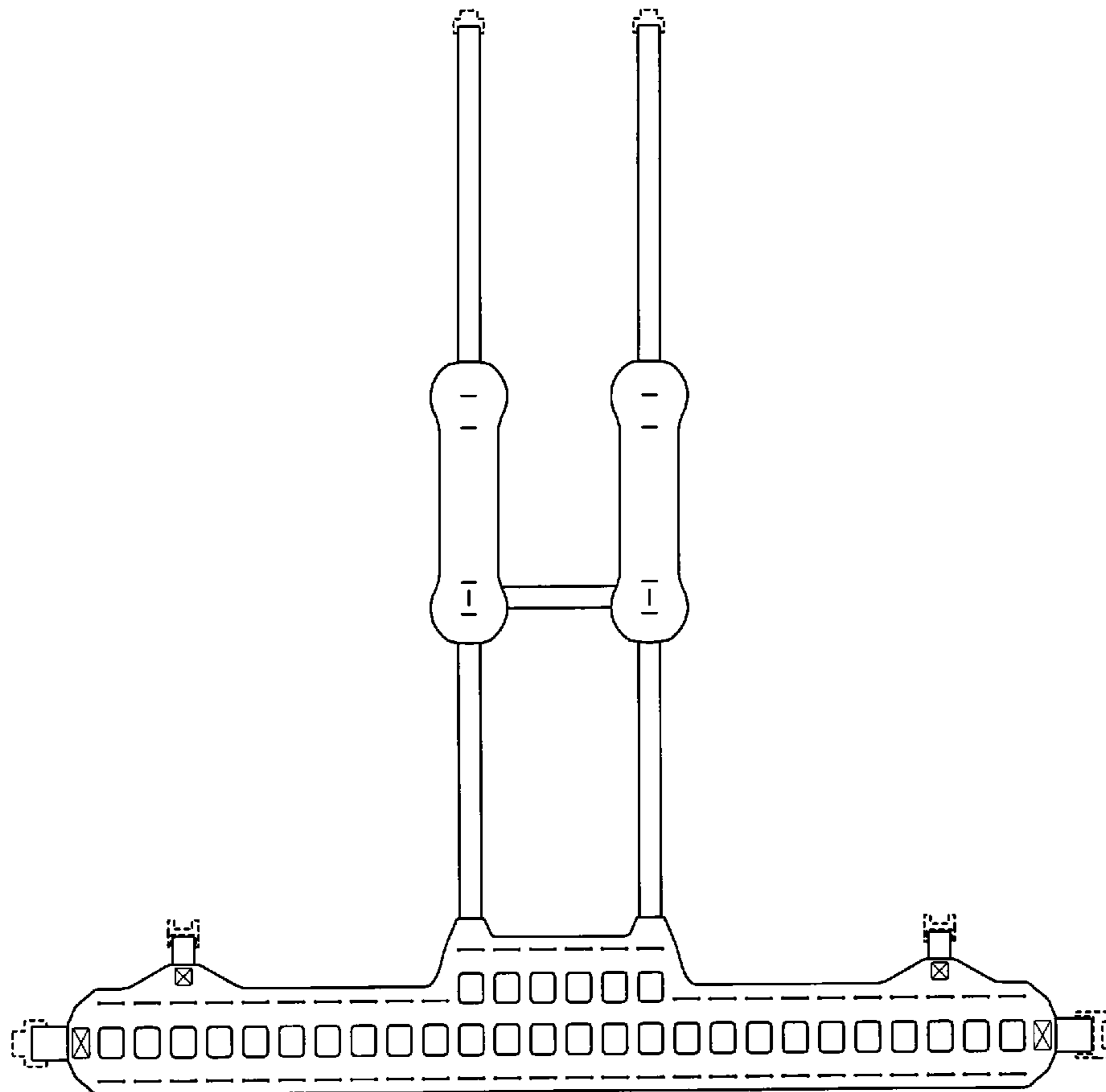
(52) **U.S. Cl.**
USPC **D3/221; D3/223**

FIG. 1 is a front elevation view of an embodiment of the chest carrier of the present invention;
FIG. 2 is a right elevation view of the embodiment of FIG. 1;
FIG. 3 is a left elevation view of the embodiment of FIG. 1;
FIG. 4 is a rear elevation view of the embodiment of FIG. 1;
FIG. 5 is a top view of the embodiment of FIG. 1; and,
FIG. 6 is a bottom view of the embodiment of FIG. 1.

(58) **Field of Classification Search**
USPC D3/222–223, 215, 221, 224, 226,
D3/228, 230; 224/184, 223, 236, 239–240,
224/242, 245, 259, 267, 637, 663, 902, 904

See application file for complete search history.

1 Claim, 4 Drawing Sheets



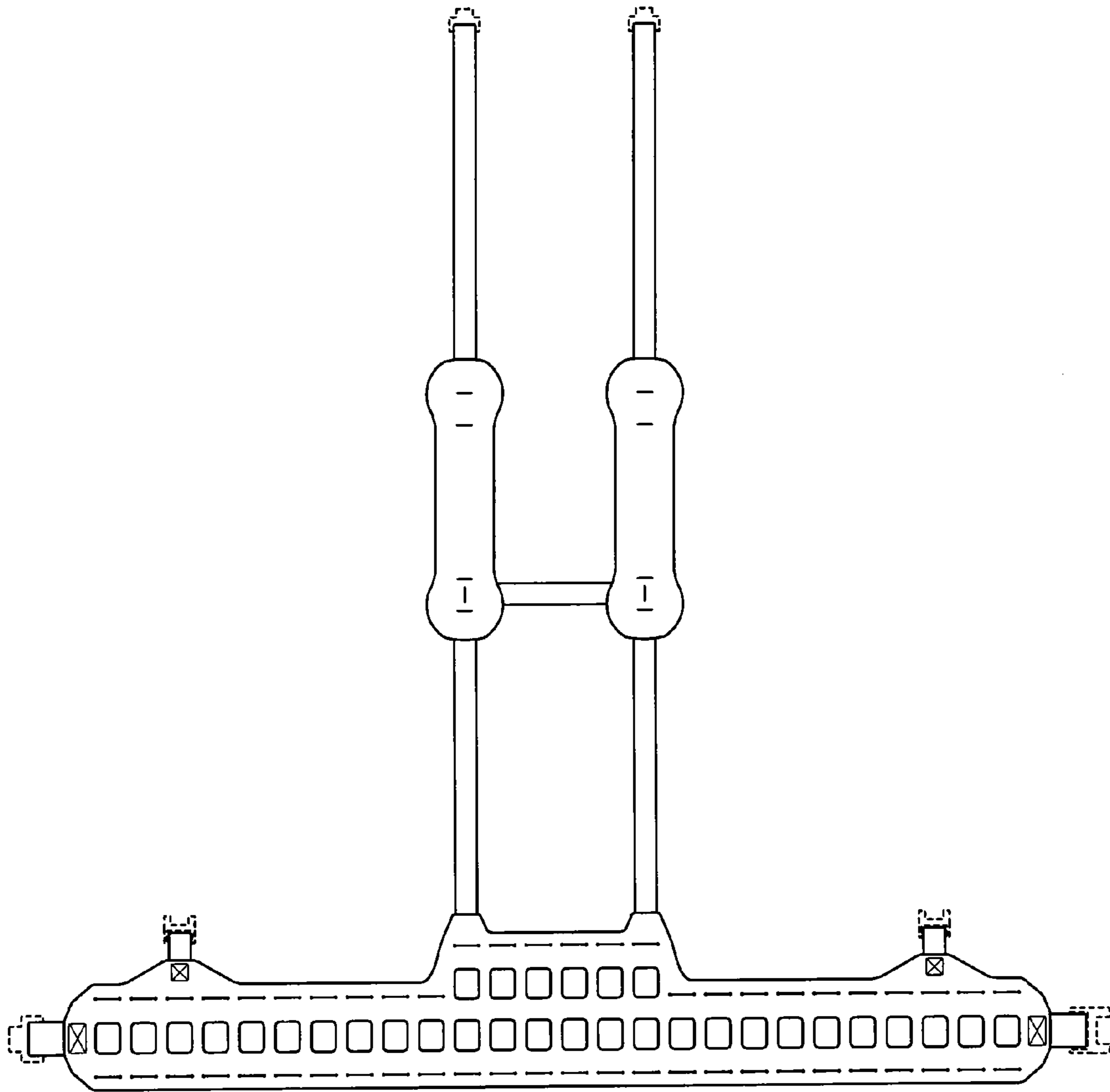


FIG. 1



FIG. 2



FIG. 3

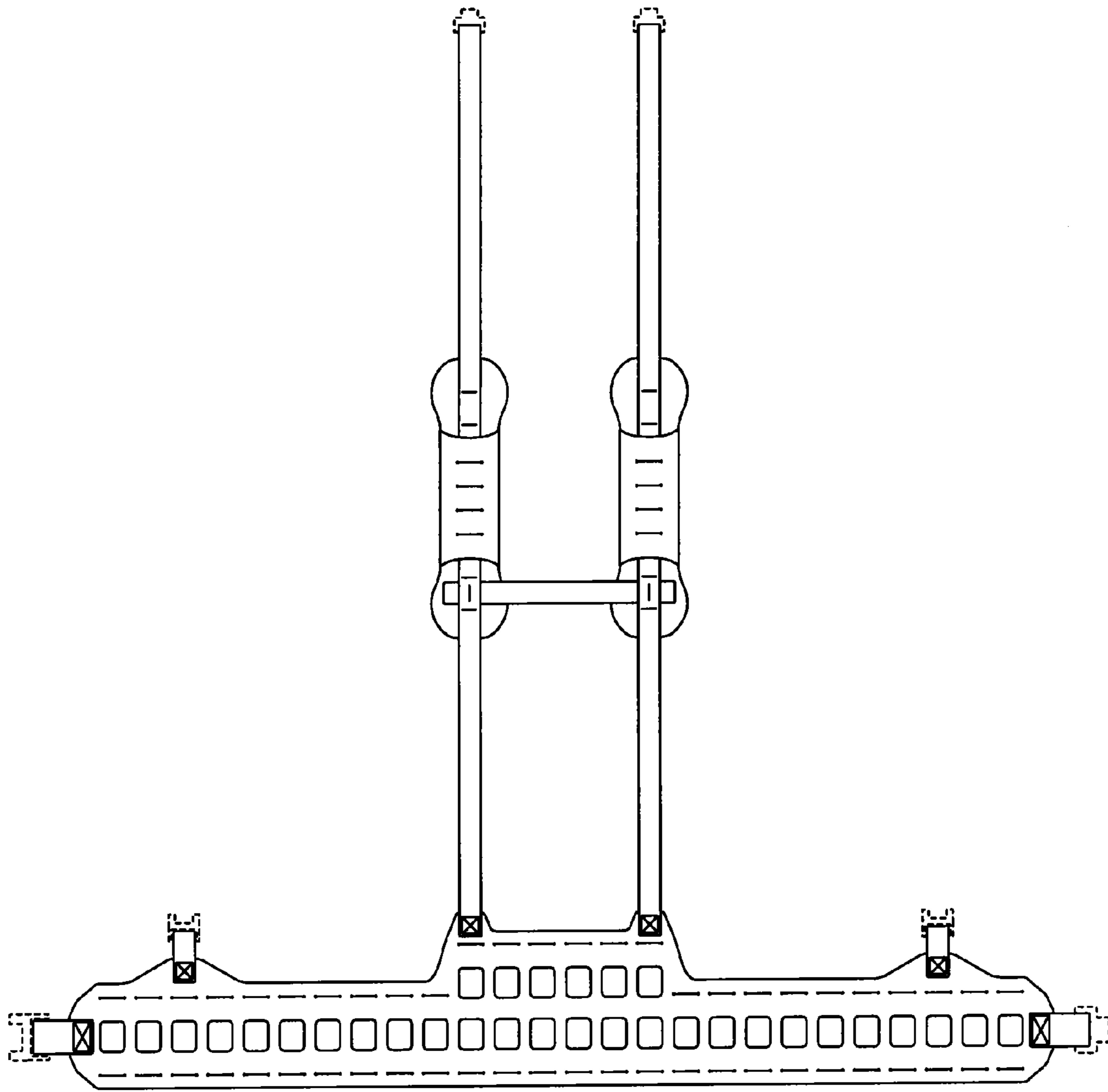


FIG. 4

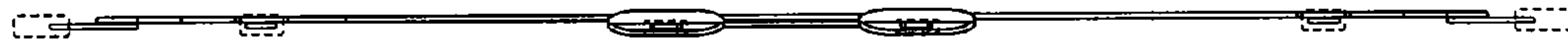


FIG. 5

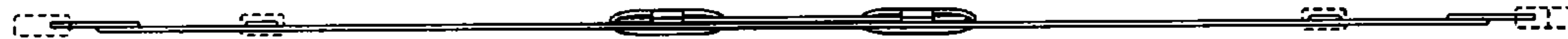


FIG. 6