

US00D690927S

(12) **United States Design Patent**  
**Jones**

(10) **Patent No.:** **US D690,927 S**  
(45) **Date of Patent:** **\*\* Oct. 8, 2013**

(54) **WALKING CANE**  
(76) Inventor: **Ellis Jones**, DeRidder, LA (US)  
(\*\*) Term: **14 Years**  
(21) Appl. No.: **29/428,295**  
(22) Filed: **Jul. 28, 2012**  
(51) **LOC (9) Cl.** ..... **03-03**  
(52) **U.S. Cl.**  
USPC ..... **D3/7**  
(58) **Field of Classification Search**  
USPC ..... D3/3-17; D12/130, 133; 135/65-73,  
135/76-85  
See application file for complete search history.

D465,914 S \* 11/2002 Hayden et al. .... D3/7  
D515,802 S \* 2/2006 Grierson et al. .... D3/7  
D535,814 S \* 1/2007 Siteman ..... D3/7  
D540,534 S \* 4/2007 Chan ..... D3/7  
D544,201 S \* 6/2007 Berl ..... D3/12  
D555,892 S \* 11/2007 Carroll et al. .... D3/7  
D622,497 S \* 8/2010 Branton ..... D3/7  
D624,303 S \* 9/2010 Jones ..... D3/7  
D627,149 S \* 11/2010 Wu ..... D3/12  
D644,830 S \* 9/2011 Jones ..... D3/7  
2007/0151587 A1\* 7/2007 Yu ..... 135/66

\* cited by examiner

*Primary Examiner* — John Windmuller  
(74) *Attorney, Agent, or Firm* — QuickPatents; Kevin Prince

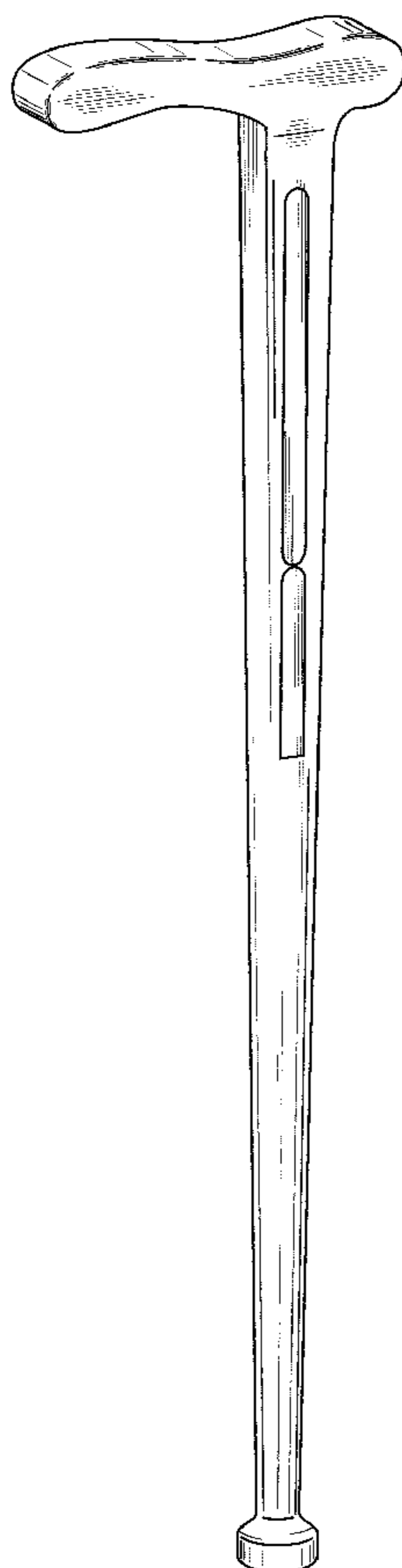
(57) **CLAIM**  
I claim the ornamental design for a walking cane, as shown and described.

(56) **References Cited**  
**U.S. PATENT DOCUMENTS**  
331,095 A \* 11/1885 Steinberger ..... 135/66  
D16,796 S \* 7/1886 Seehaus ..... D3/14  
D19,946 S \* 6/1890 Schmidt ..... D3/16  
D19,947 S \* 6/1890 Schmidt ..... D3/14  
614,277 A \* 11/1898 Schumm ..... 40/317  
D283,370 S \* 4/1986 Hill ..... D3/7  
D290,784 S \* 7/1987 Moshiri ..... D3/7  
D345,461 S \* 3/1994 Hickey ..... D3/7  
D427,763 S \* 7/2000 Kikuchi et al. .... D3/7  
D441,950 S \* 5/2001 Suen ..... D3/7

**DESCRIPTION**

FIG. 1 is a perspective view of a walking cane, showing my new design;  
FIG. 2 is a right-side elevational view thereof;  
FIG. 3 is a left-side elevational view thereof;  
FIG. 4 is a rear elevational view thereof;  
FIG. 5 is a front elevational view thereof;  
FIG. 6 is a top plan view thereof; and,  
FIG. 7 is a bottom plan view thereof.

**1 Claim, 3 Drawing Sheets**



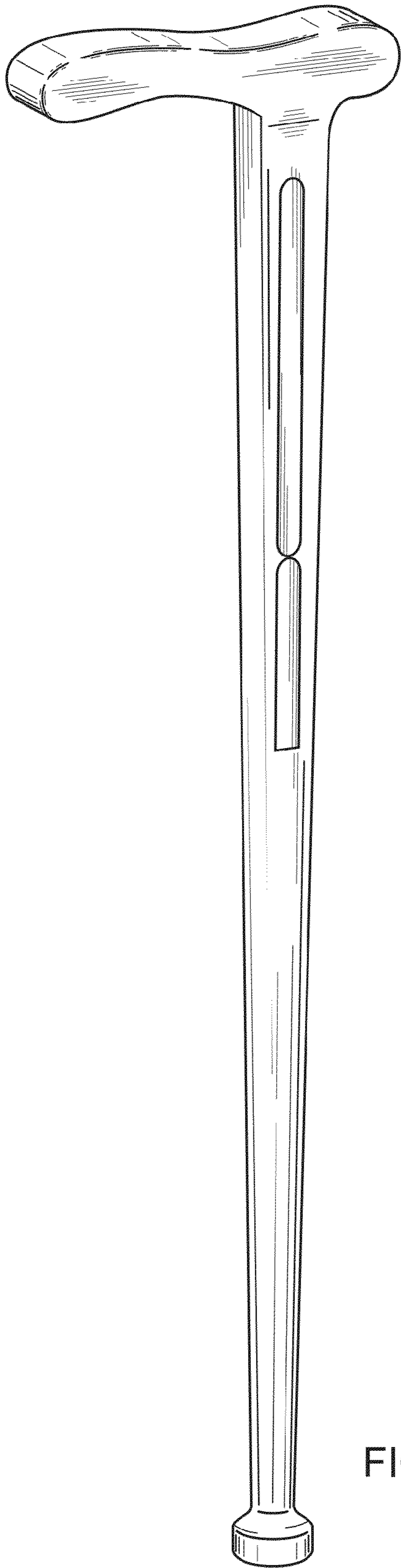


FIG. 1

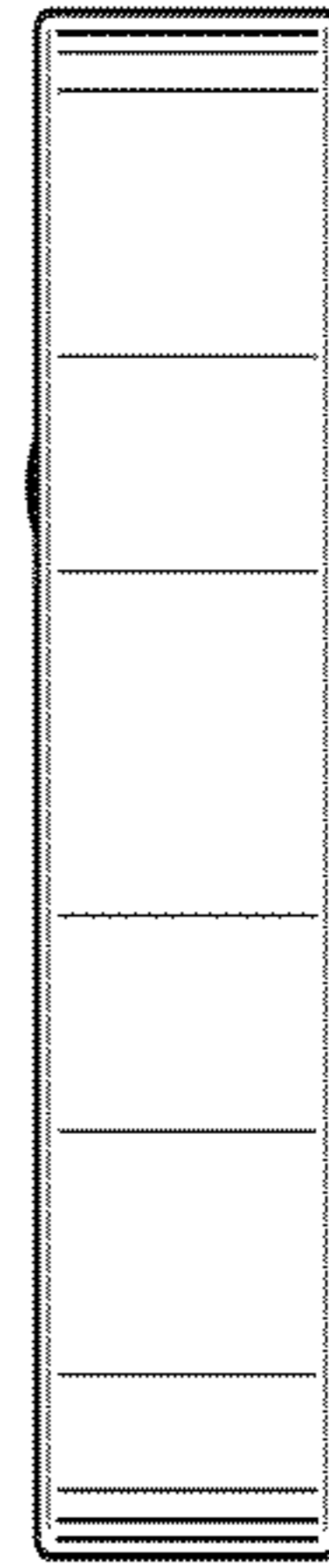


FIG. 6

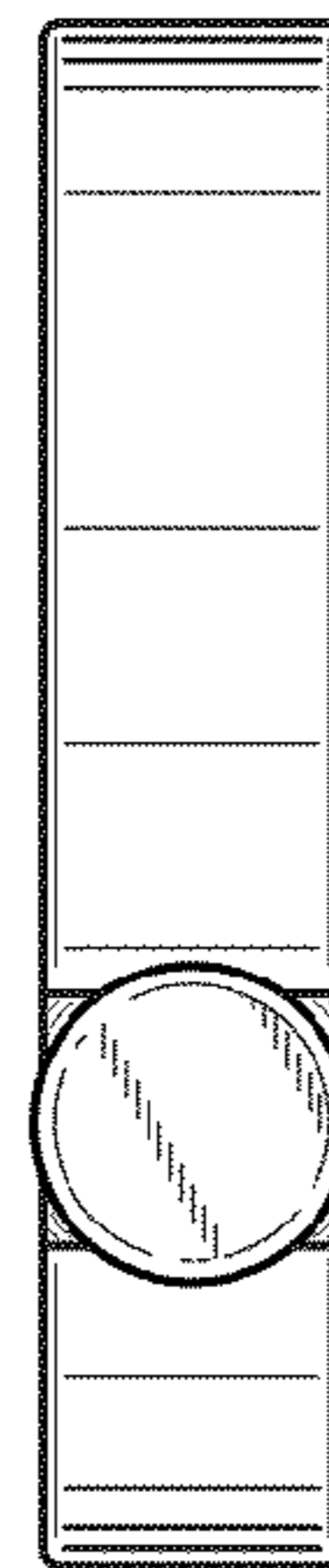
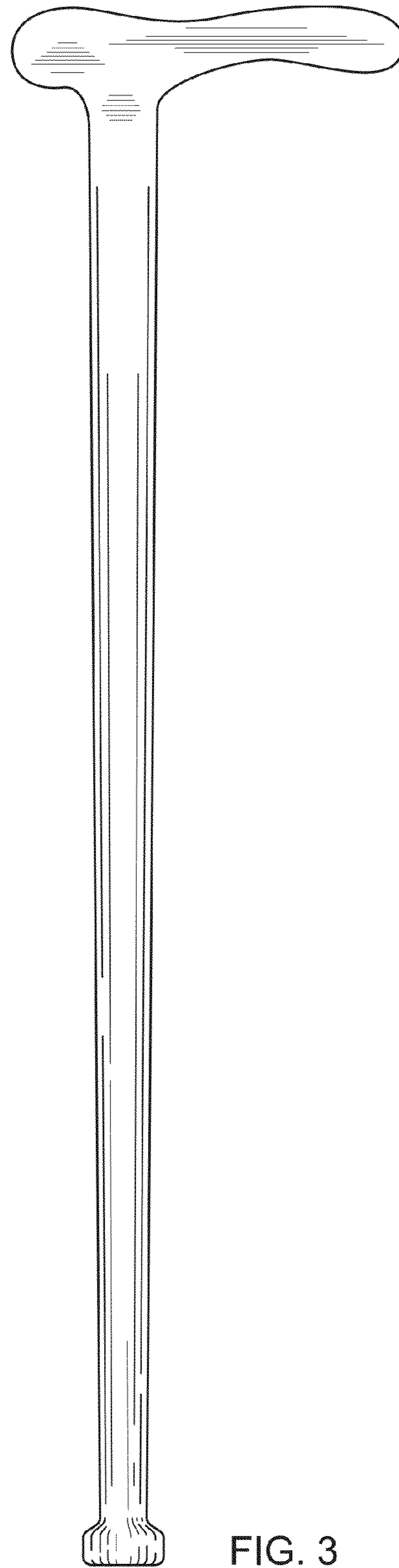
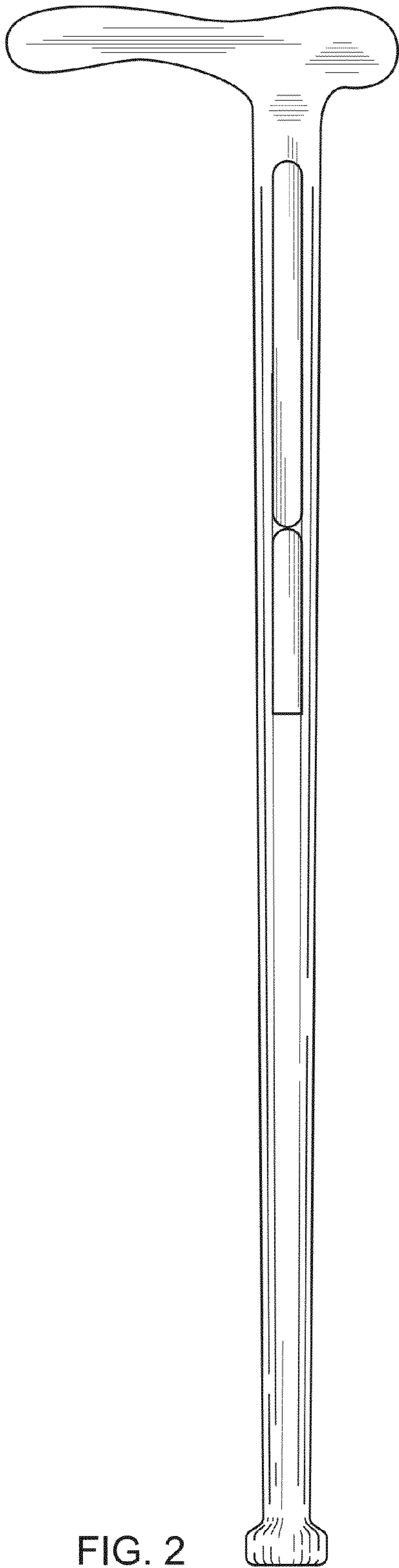


FIG. 7



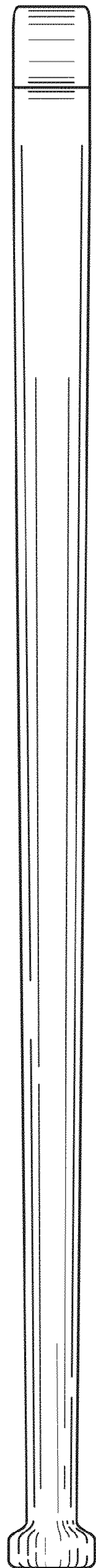


FIG. 4

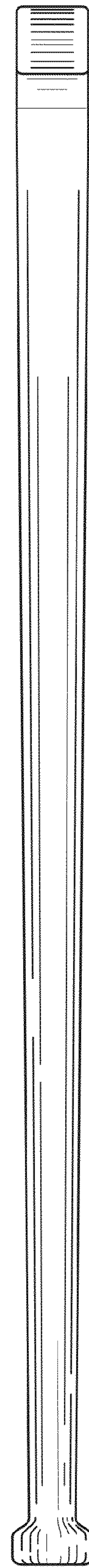


FIG. 5